

United States Patent [19]

Hamlet et al.

[11] Patent Number: **Des. 296,773**

[45] Date of Patent: **** Jul. 19, 1988**

[54] **GARBAGE COLLECTION VEHICLE**

[75] Inventors: **Buck C. Hamlet; Phillip J. Sweet,**
both of Fresno, Calif.

[73] Assignee: **Western Waste Industries, Gardena,**
Calif.

[**] Term: **14 Years**

[21] Appl. No.: **820,752**

[22] Filed: **Jan. 21, 1986**

[52] U.S. Cl. **D12/15**

[58] Field of Search **D12/14, 15, 1; D34/3;**
298/29, 27, 30, 17 R; 100/229 A, 229 R;
D15/123; 296/184

[56] **References Cited**

U.S. PATENT DOCUMENTS

D. 236,704 9/1975 Smith D12/15

D. 240,613 7/1976 Thomas D12/15
2,623,602 12/1952 Double 298/17 R
2,974,997 3/1961 Parsley et al. 298/17 R

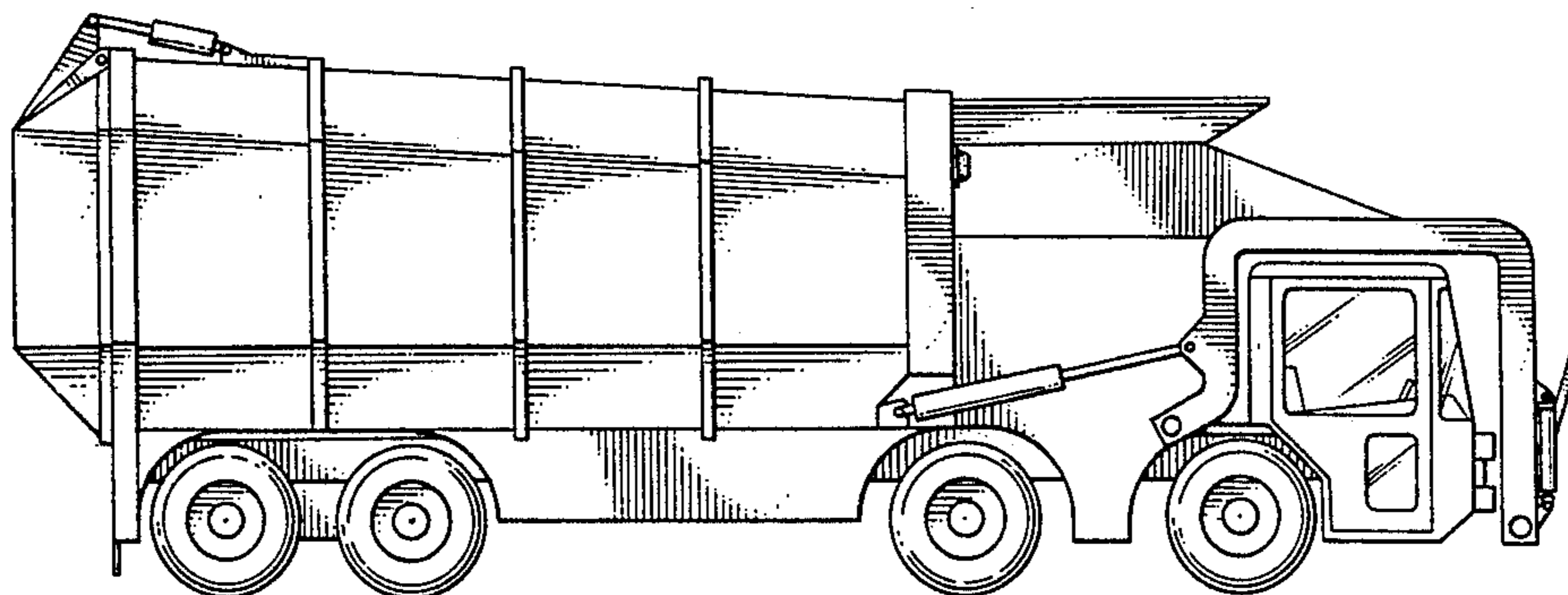
Primary Examiner—James M. Gandy
Assistant Examiner—Kay H. Chin
Attorney, Agent, or Firm—Noel F. Heal

[57] **CLAIM**

The ornamental design for a garbage collection vehicle,
substantially as shown and described.

DESCRIPTION

FIG. 1 is a right side elevational view of a garbage collection vehicle showing our new design, the left side elevational view being a mirror image of that shown; FIG. 2 is a top plan view thereof; FIG. 3 is a bottom plan view thereof; FIG. 4 is a rear elevational view thereof; and FIG. 5 is a front elevational view thereof.



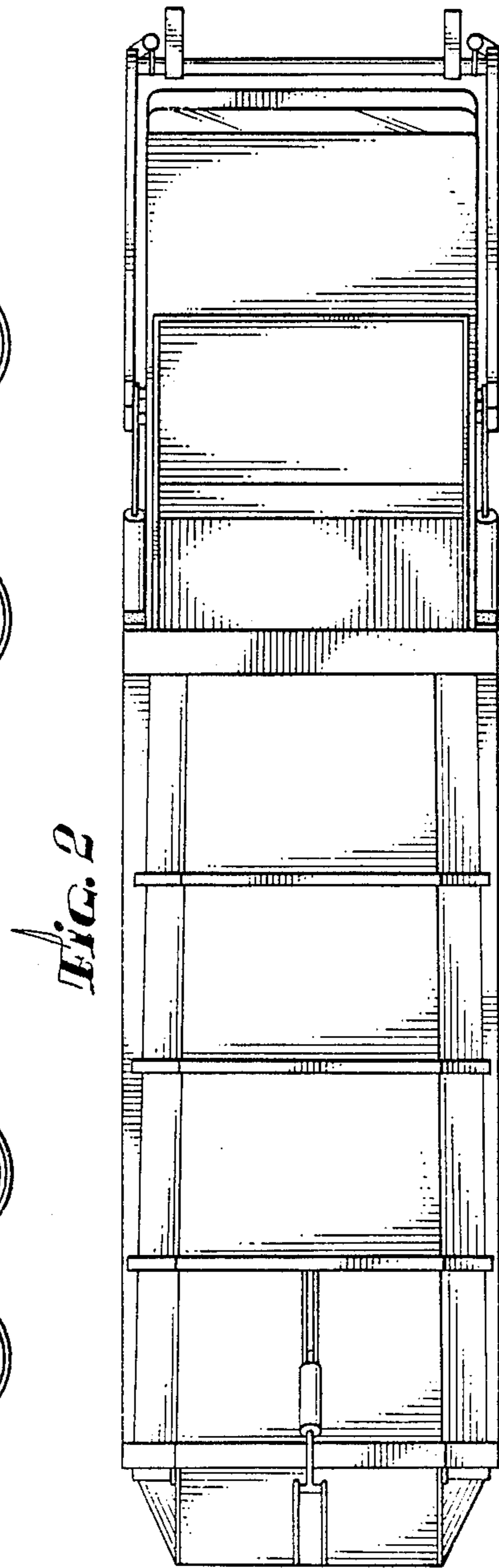
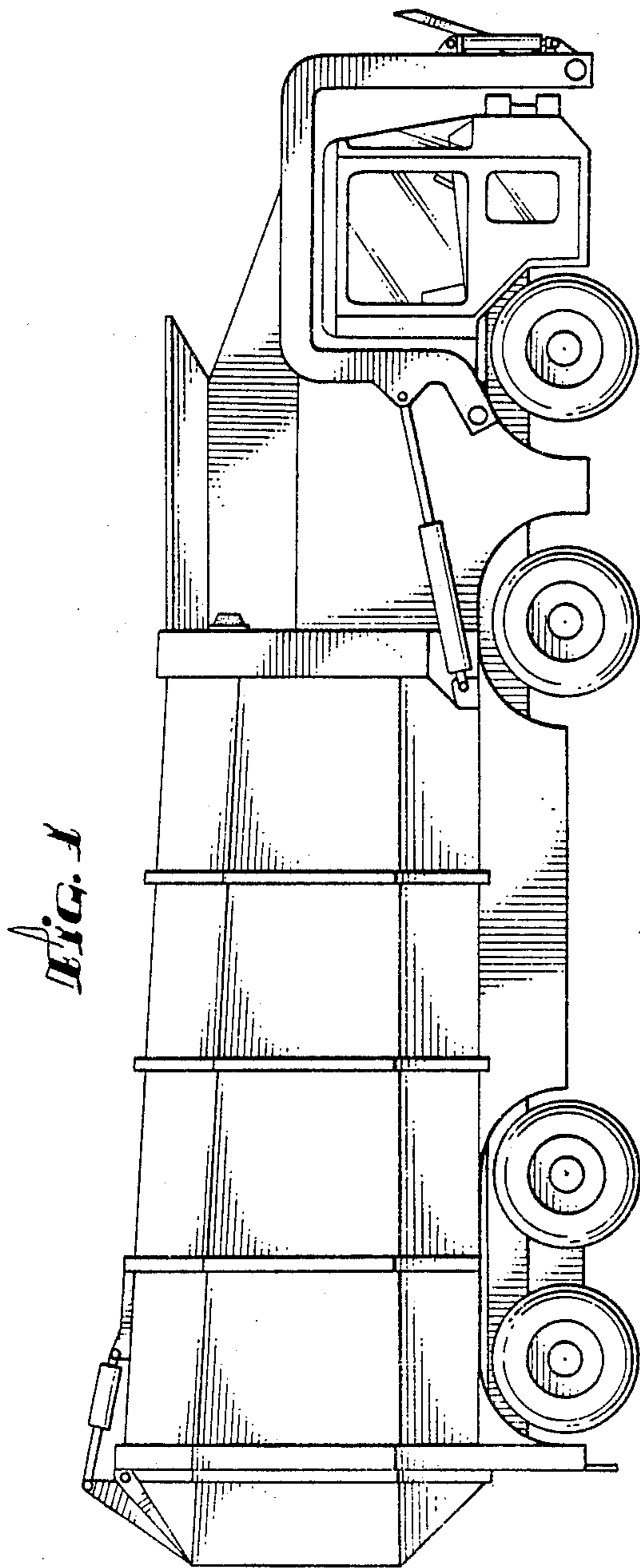


FIG. 3

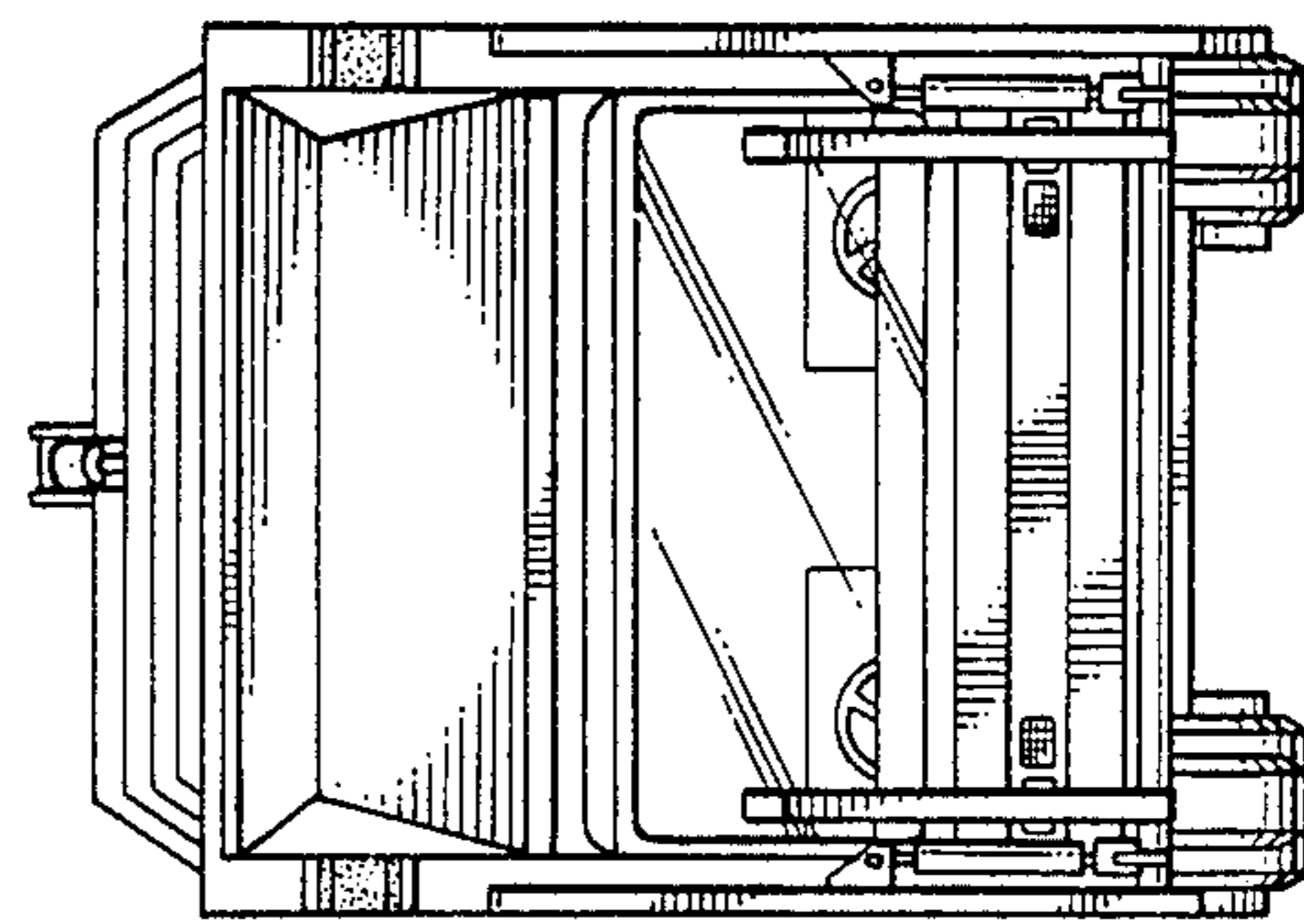
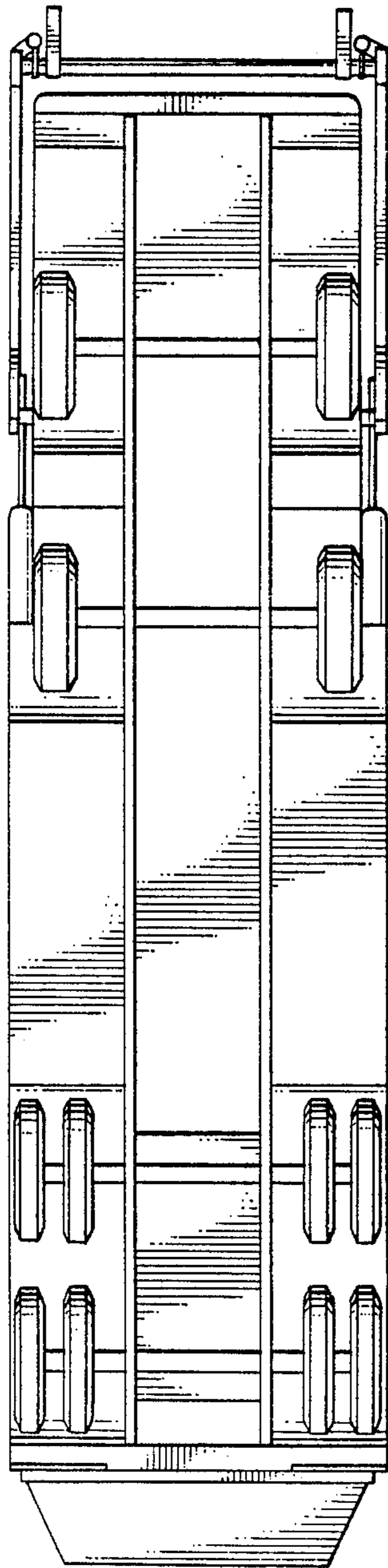


FIG. 5

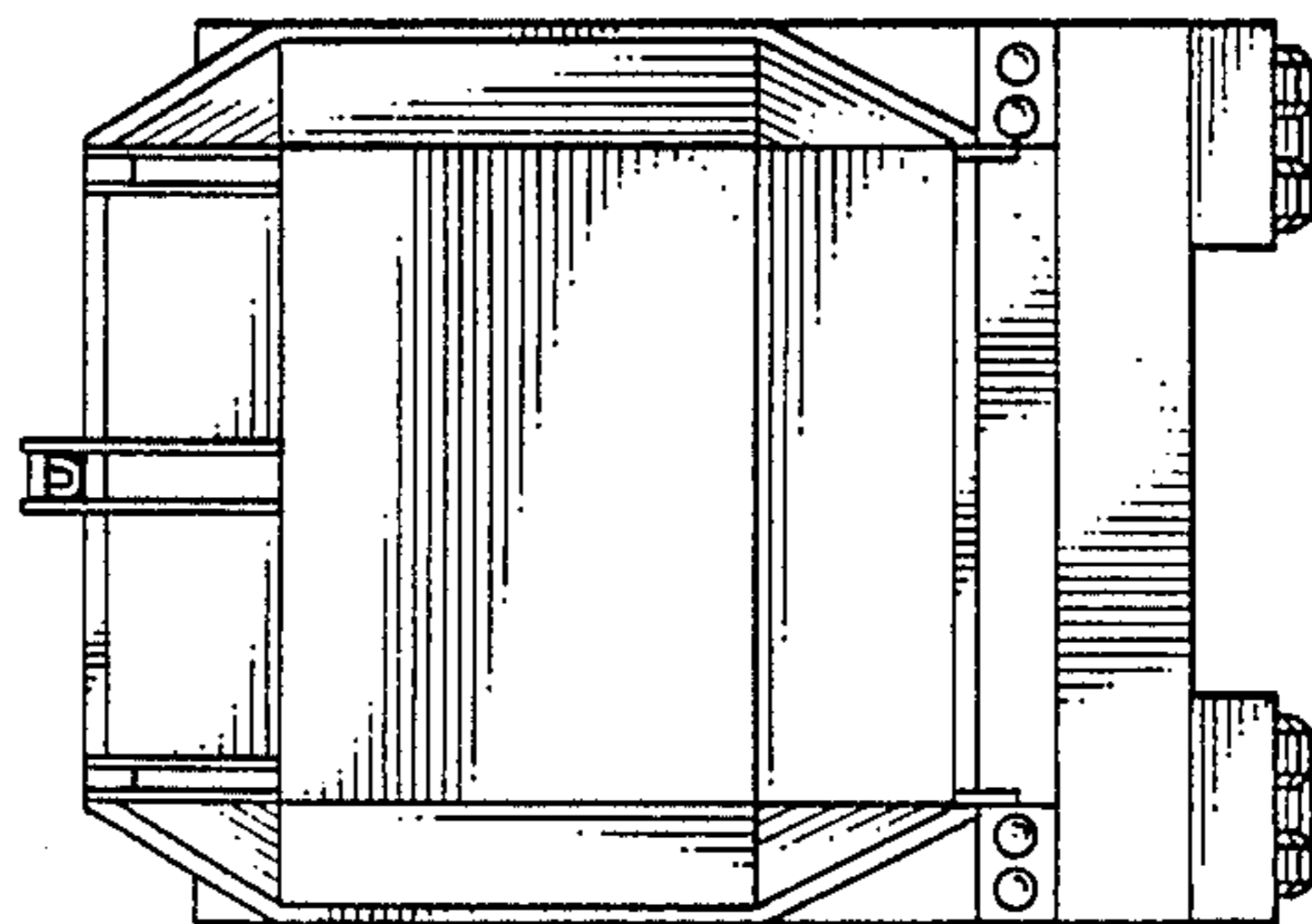


FIG. 4