

[54] **FLOWER POT HOLDER**

[75] **Inventor: Martin T. McGrath, Reeders, Pa.**

[73] **Assignee: Robert J. Lis, Syracuse, N.Y.**

[**] **Term: 14 Years**

[21] **Appl. No.: 3,212**

[22] **Filed: Jan. 13, 1987**

[52] **U.S. Cl. D8/373; 242/312.1;
D6/556; D8/367**

[58] **Field of Search D8/367, 373; 248/312.1,
248/234, 309.1; D6/556, 300; 211/162**

[56] **References Cited**

U.S. PATENT DOCUMENTS

D. 118,478	1/1940	Herschensohn	D8/367
D. 249,765	10/1978	Wilson	D6/556
D. 257,810	1/1981	Wilson	D8/373 X
D. 258,330	2/1981	Bosley	D8/373 X
D. 282,419	2/1986	Meyer	D6/556 X
D. 285,317	8/1986	Gomes	D8/373 X

3,123,850	3/1960	Piken	248/312.1 X
4,577,820	3/1986	Michaud	248/312.1 X

Primary Examiner—Horace B. Fay
Attorney, Agent, or Firm—Shlesinger, Arkwright & Garvey

[57] **CLAIM**

The ornamental design for a flower pot holder, as shown and described.

DESCRIPTION

FIG. 1 is a left side, top and front perspective view of a flower pot holder showing my new design;
FIGS. 2 and 3 are respectively top and bottoms plan views thereof;
FIG. 4 is a left side elevational view thereof, the right side elevational view being a mirror image thereof; and
FIGS. 5 and 6 are respectively front and rear elevational views thereof.
The broken line showing of a flower pot in FIG. 1 is for illustrative purposes only and forms no part of the claimed design.

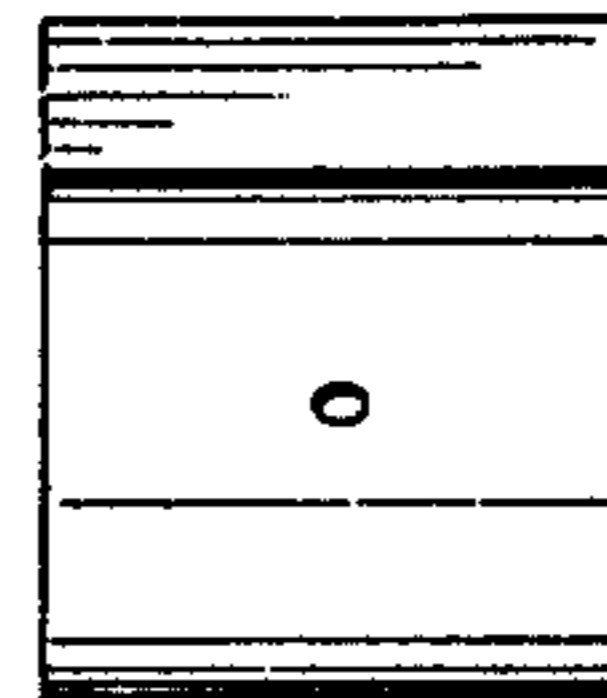
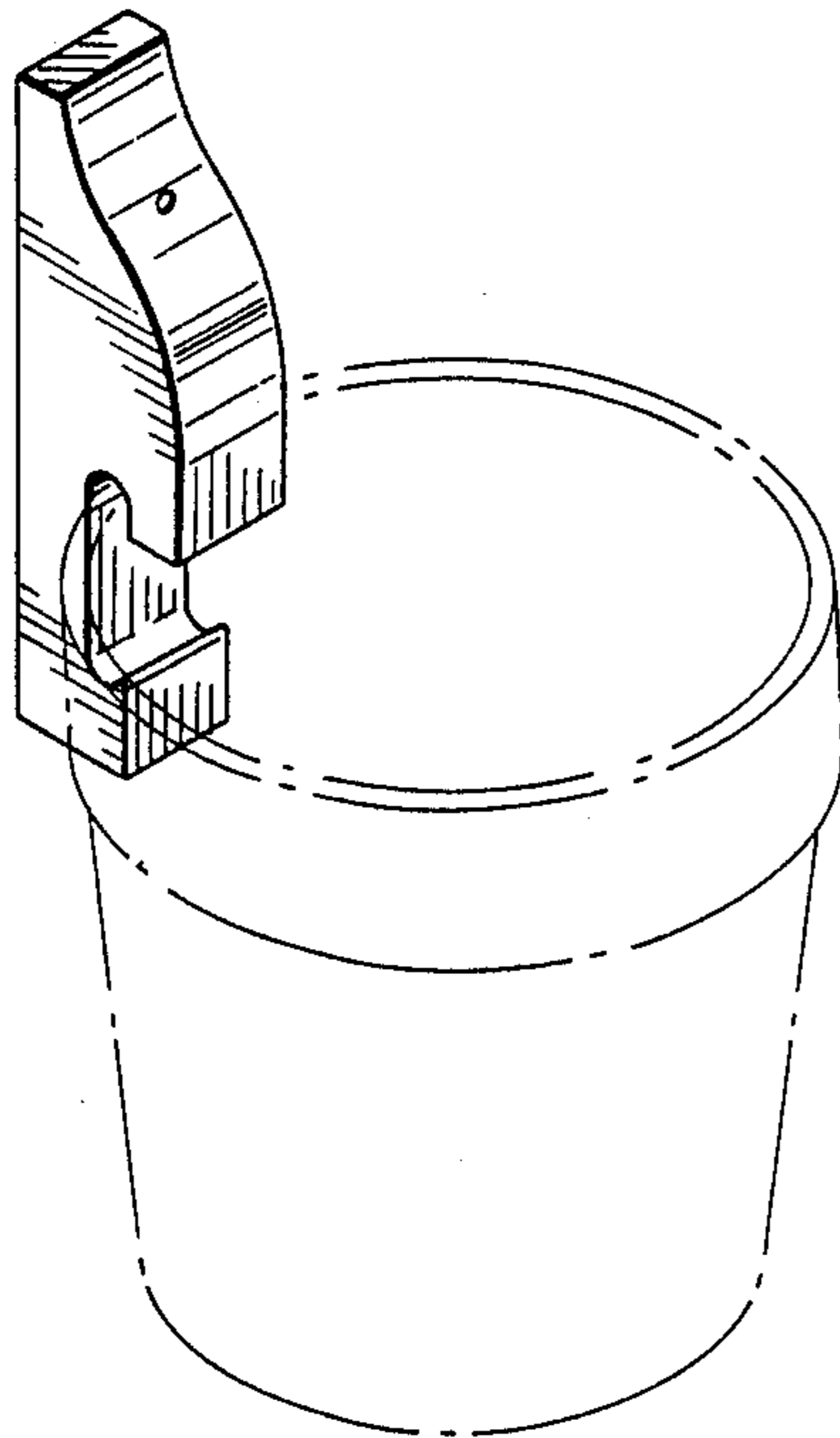


FIG 1

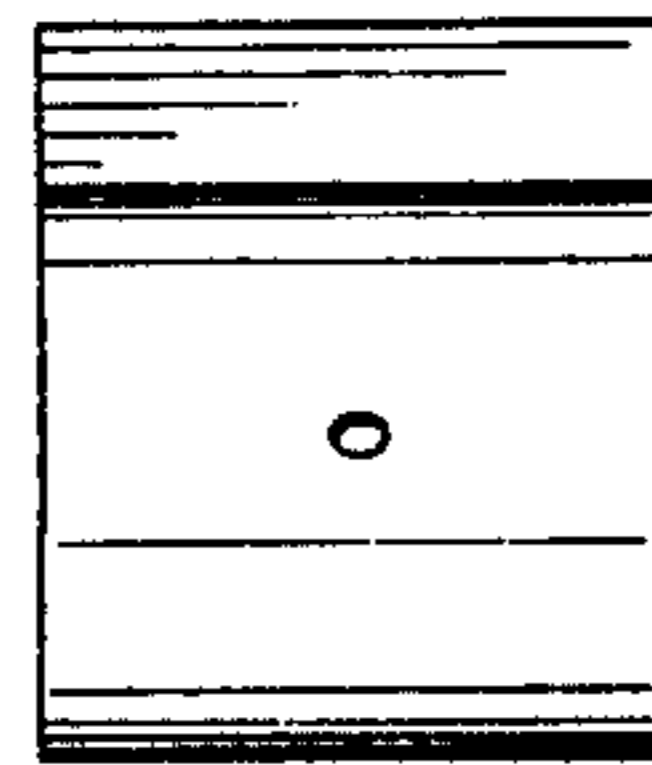
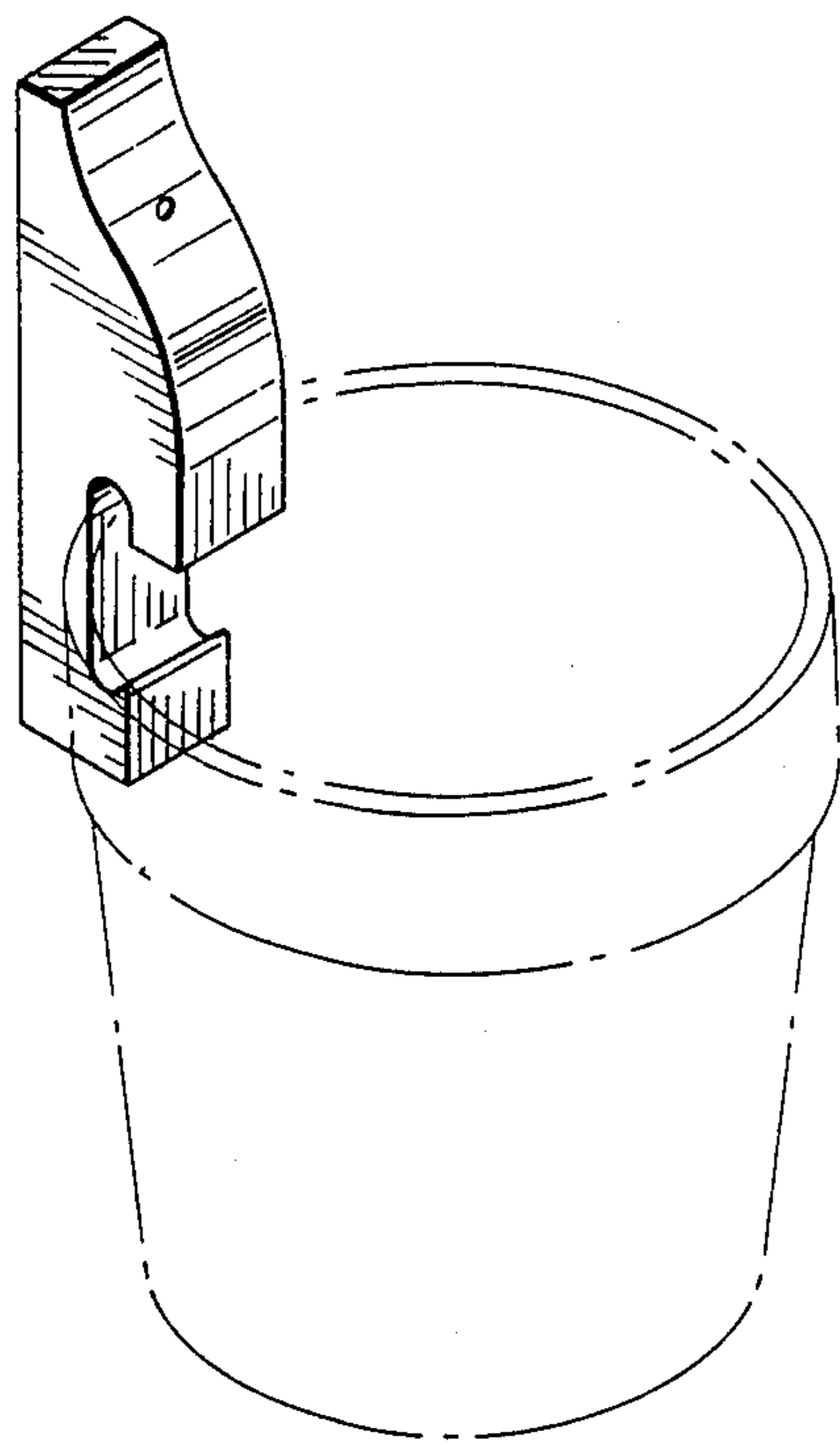


FIG 2

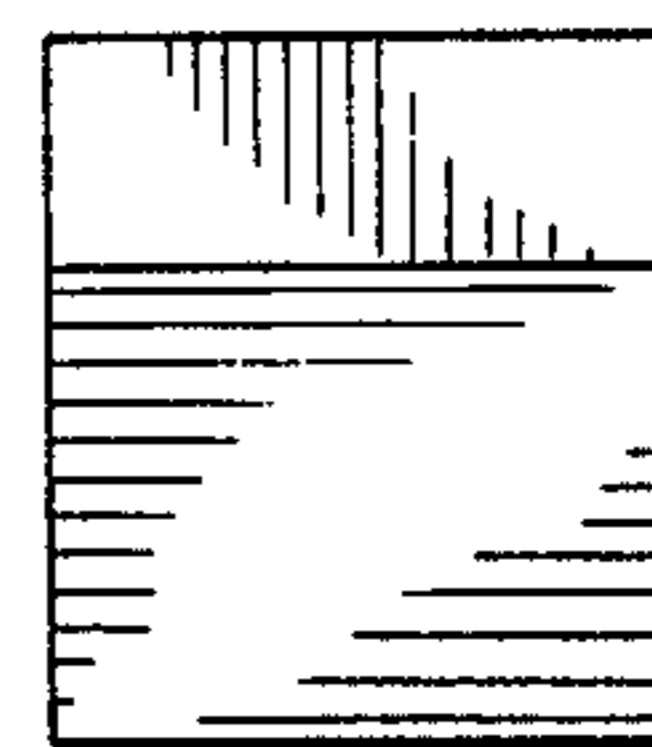


FIG 3

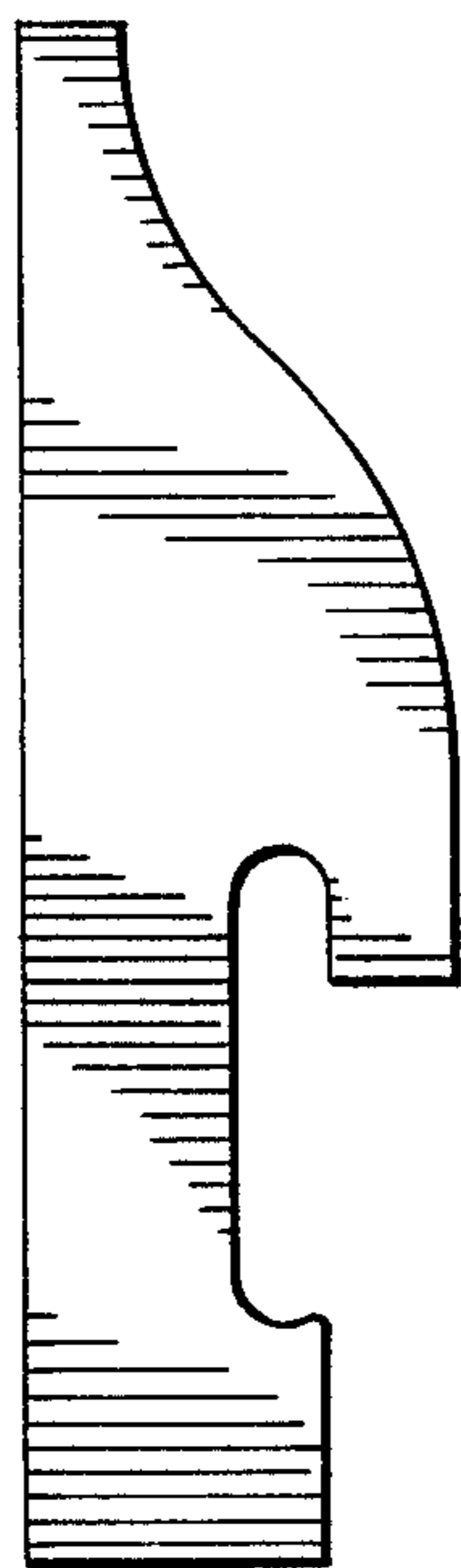


FIG 4

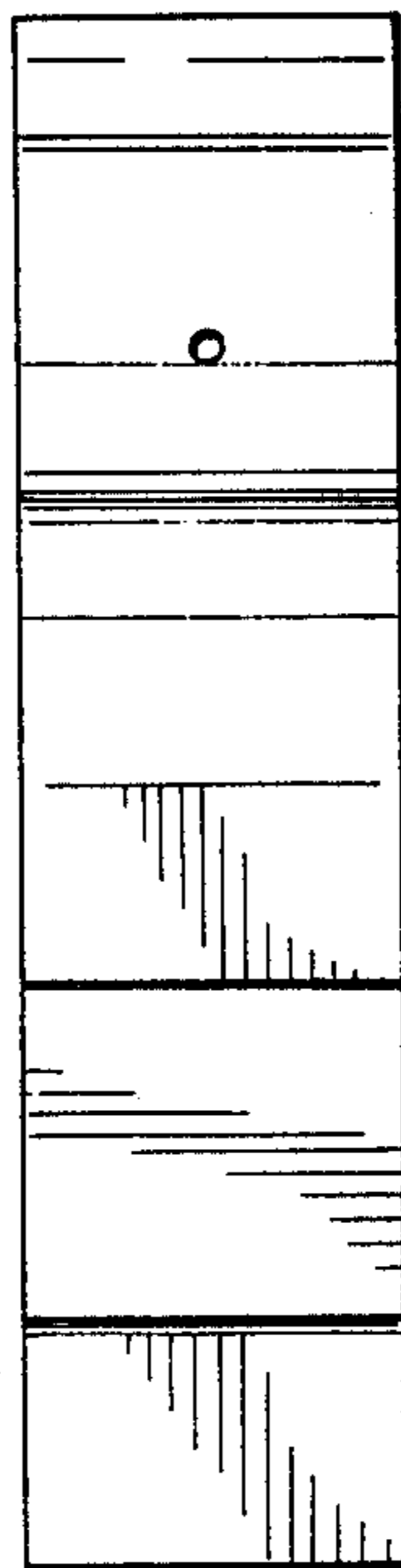


FIG 5

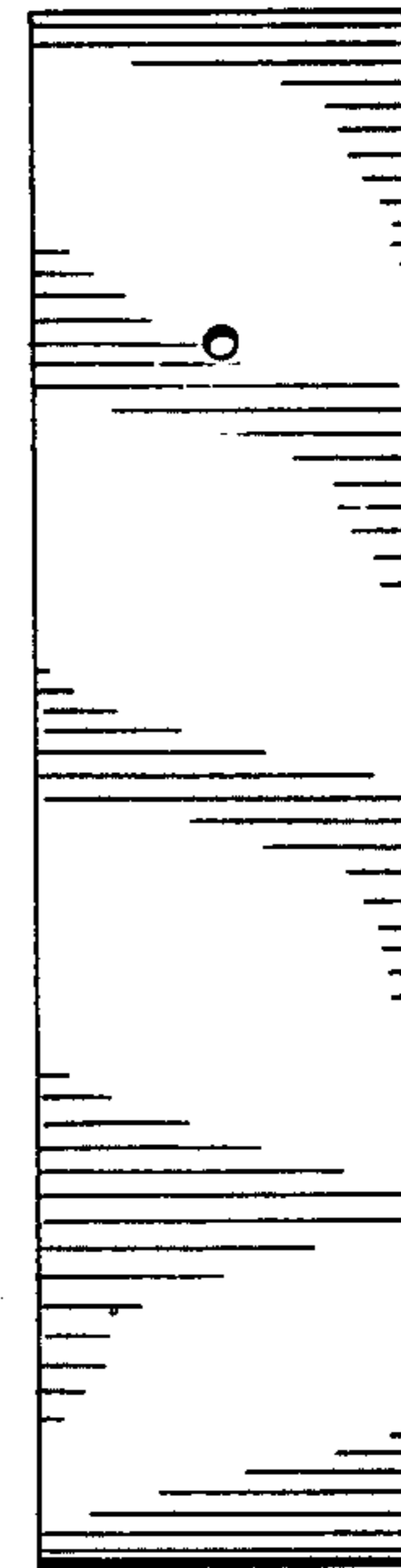


FIG 6