

[54] **HOOK**

[76] **Inventors: Steven E. Greenhut, 2781 Belgrave Rd., Pepper Pike, Ohio; Sheldon Goodman, 4079 Princeton Blvd., South Euclid, Ohio**

[**] **Term: 14 Years**

[21] **Appl. No.: 933,601**

[22] **Filed: Nov. 21, 1986**

[52] **U.S. Cl. D8/367; D8/373**

[58] **Field of Search D8/367, 370, 371, 372, D8/373; D6/567, 553, 572; 248/304, 339, 221.2**

[56] **References Cited**

U.S. PATENT DOCUMENTS

D. 33,550	11/1900	Melchers	D8/367
D. 42,105	1/1912	Duesay	D8/367
D. 145,813	10/1946	Marsh	D8/367
D. 171,263	1/1954	Newlin	D8/367
D. 181,255	10/1957	Hillgnen	D8/367
D. 191,609	10/1961	Gordon	D8/367
D. 210,619	3/1968	Maguire	D8/367
D. 212,553	10/1968	Hekman	D8/367
D. 256,867	9/1980	Ryan et al.	D8/367
D. 266,124	9/1982	Stankewich	D8/367
D. 271,545	11/1983	Licari et al.	D8/367

D. 272,697	2/1984	Shames et al.	D8/372
D. 285,529	9/1986	Huxhold et al.	D8/367
D. 289,255	4/1987	Chasen	D8/373
D. 291,630	9/1987	Chap	D8/371
371,205	10/1887	McConnoughay	248/304
2,988,315	6/1961	Saxe	248/304
3,241,799	3/1966	Terlinde	248/221.2

FOREIGN PATENT DOCUMENTS

216513	6/1938	Japan	D6/567
--------	--------	-------	-------	--------

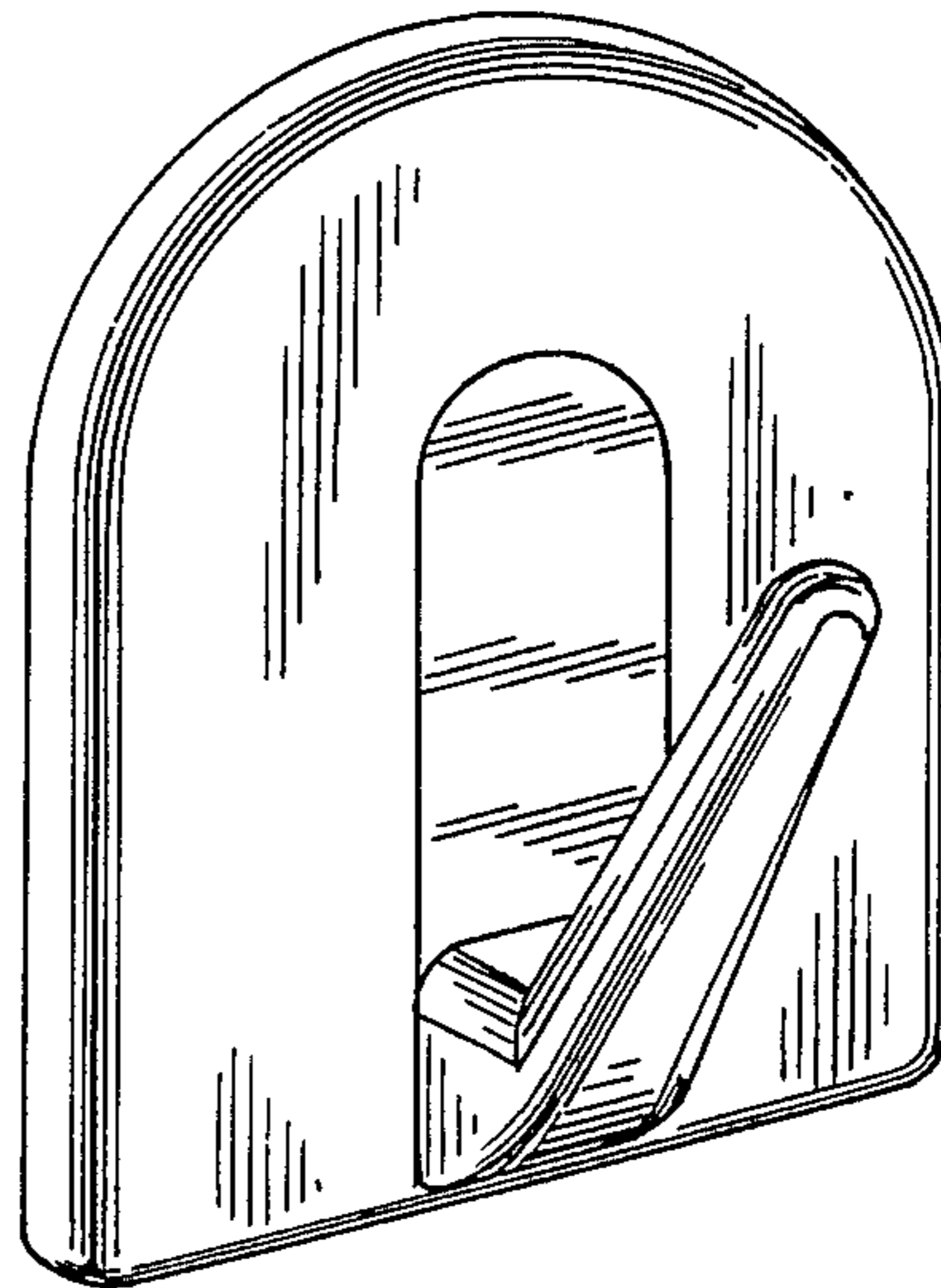
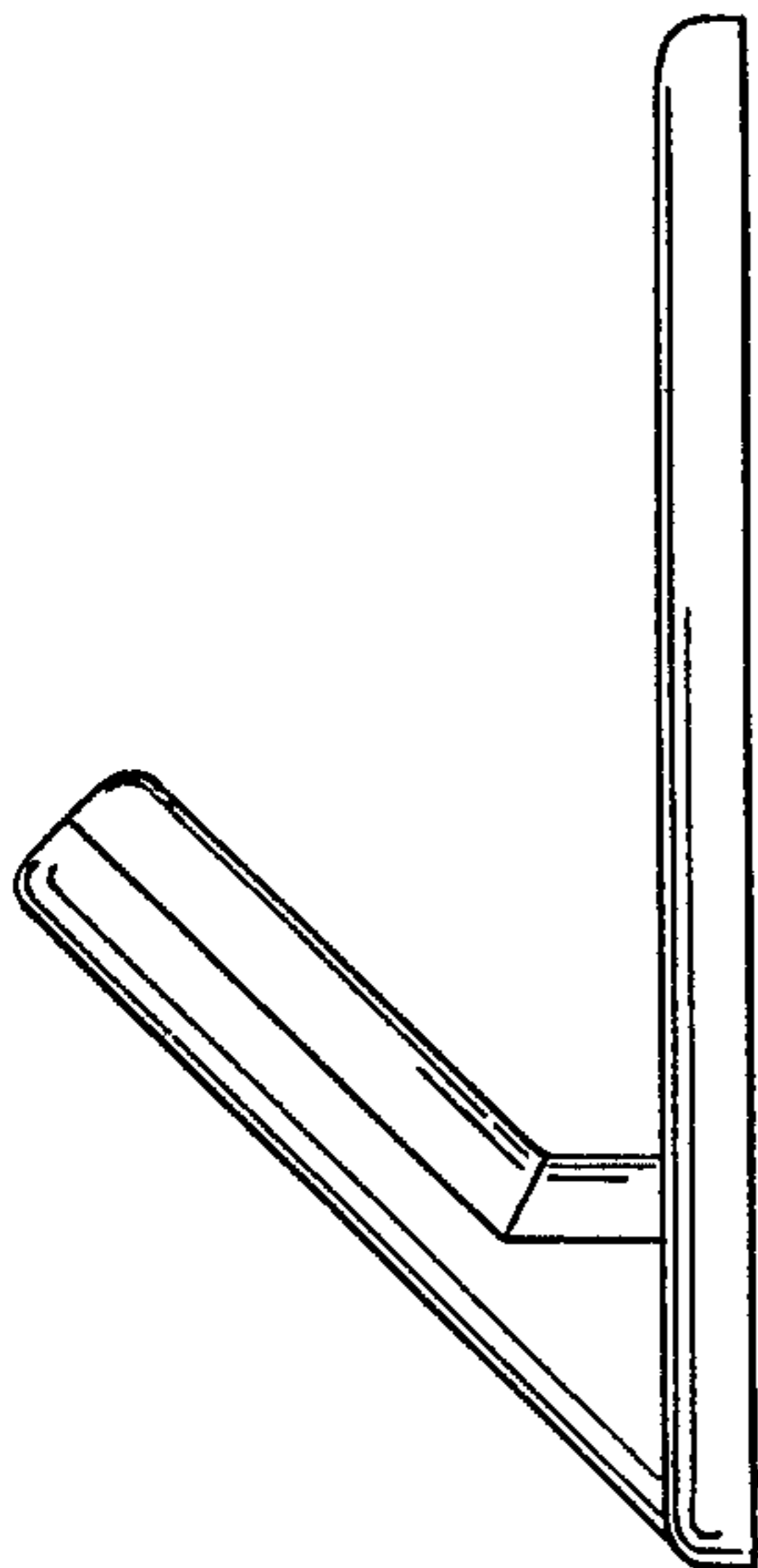
Primary Examiner—Horace B. Fay
Attorney, Agent, or Firm—Pearne, Gordon, McCoy & Granger

[57] **CLAIM**

The ornamental design for a hook, as shown.

DESCRIPTION

FIG. 1 is a front elevational view of a hook showing our new design;
FIG. 2 is a right side elevational view thereof, the left side elevational view being a mirror image;
FIG. 3 is a bottom plan view thereof;
FIG. 4 is a rear elevational view thereof;
FIG. 5 is a top plan view thereof; and
FIG. 6 is a left side, top and front perspective view thereof.



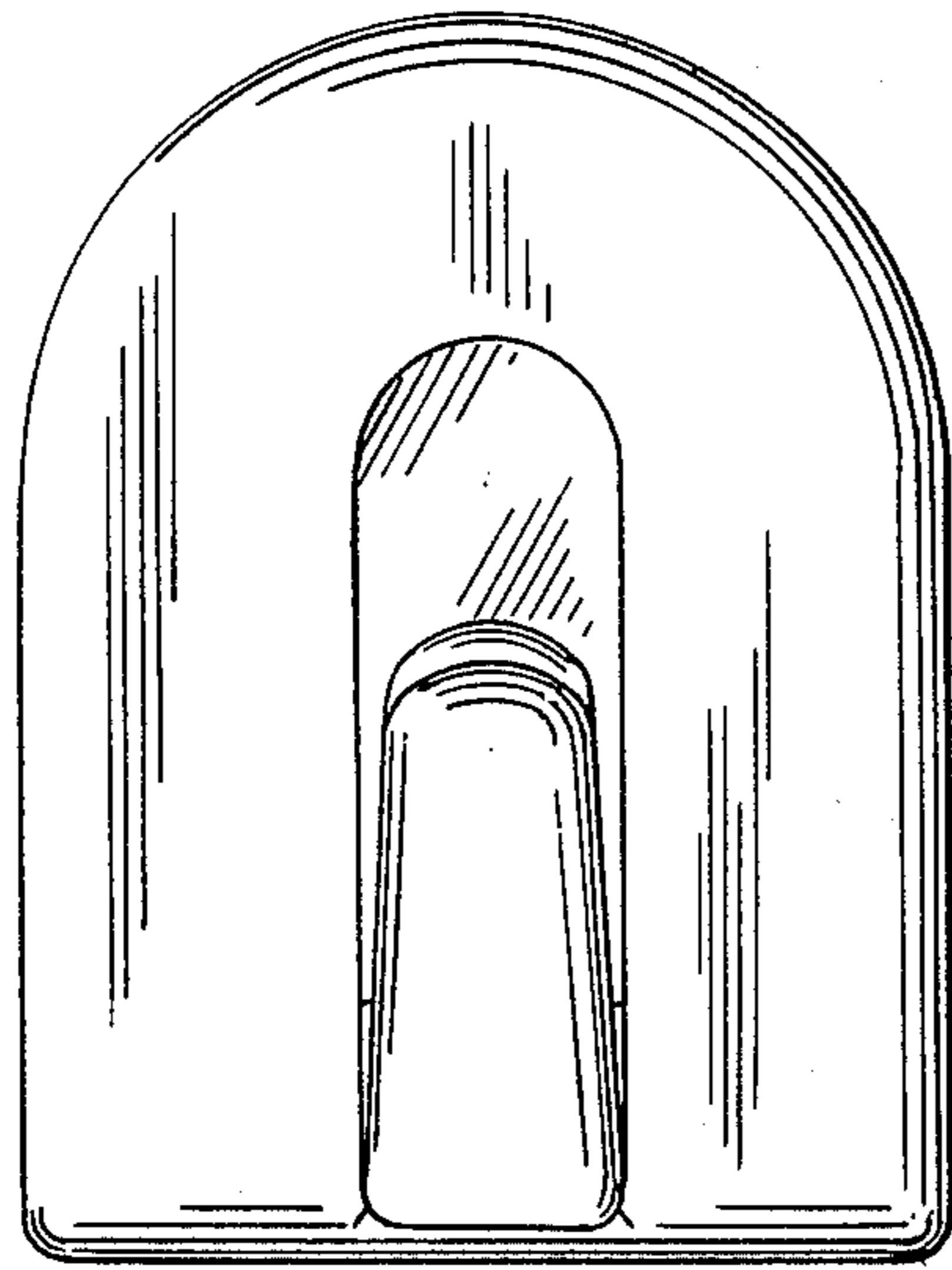


Fig. 1

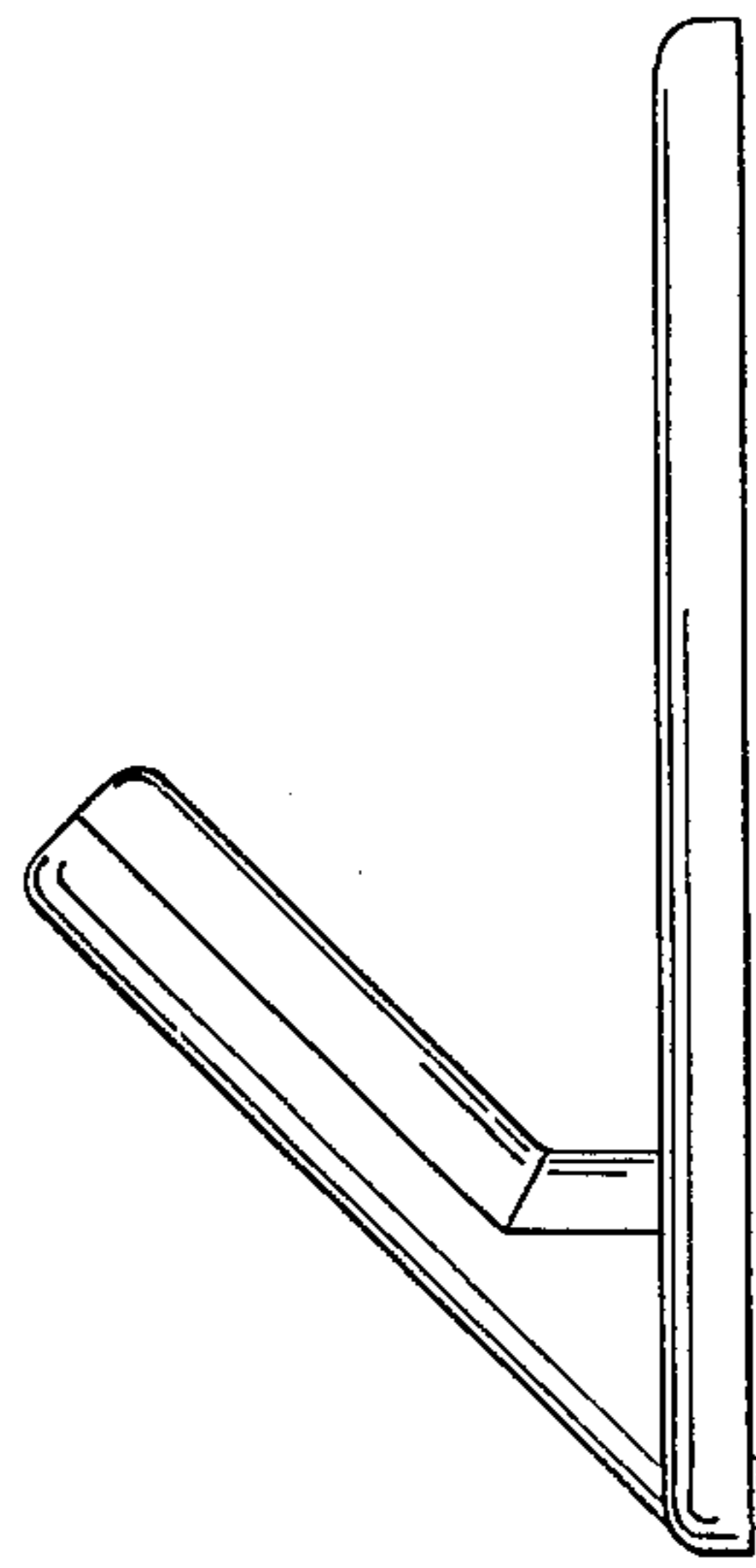


Fig. 2

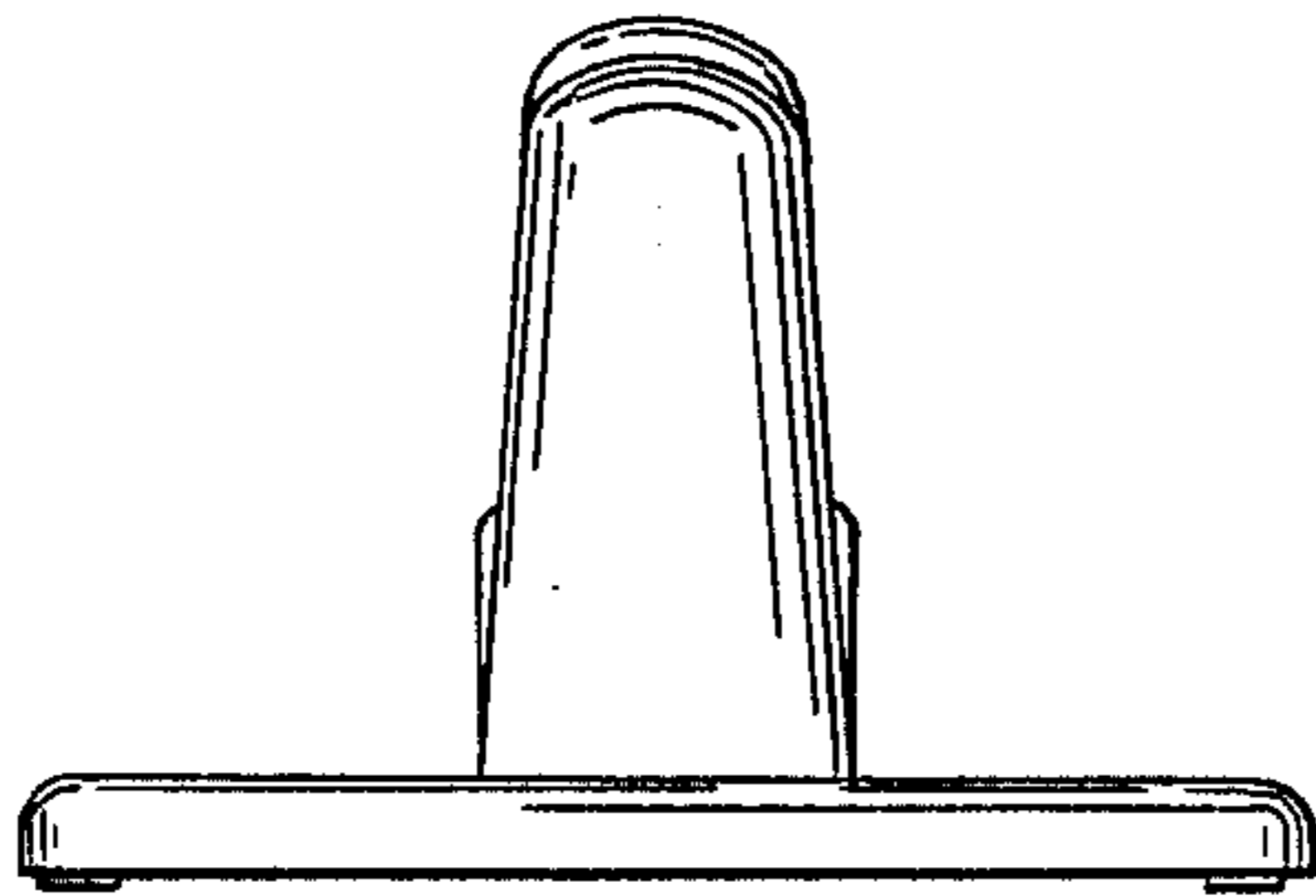


Fig. 3

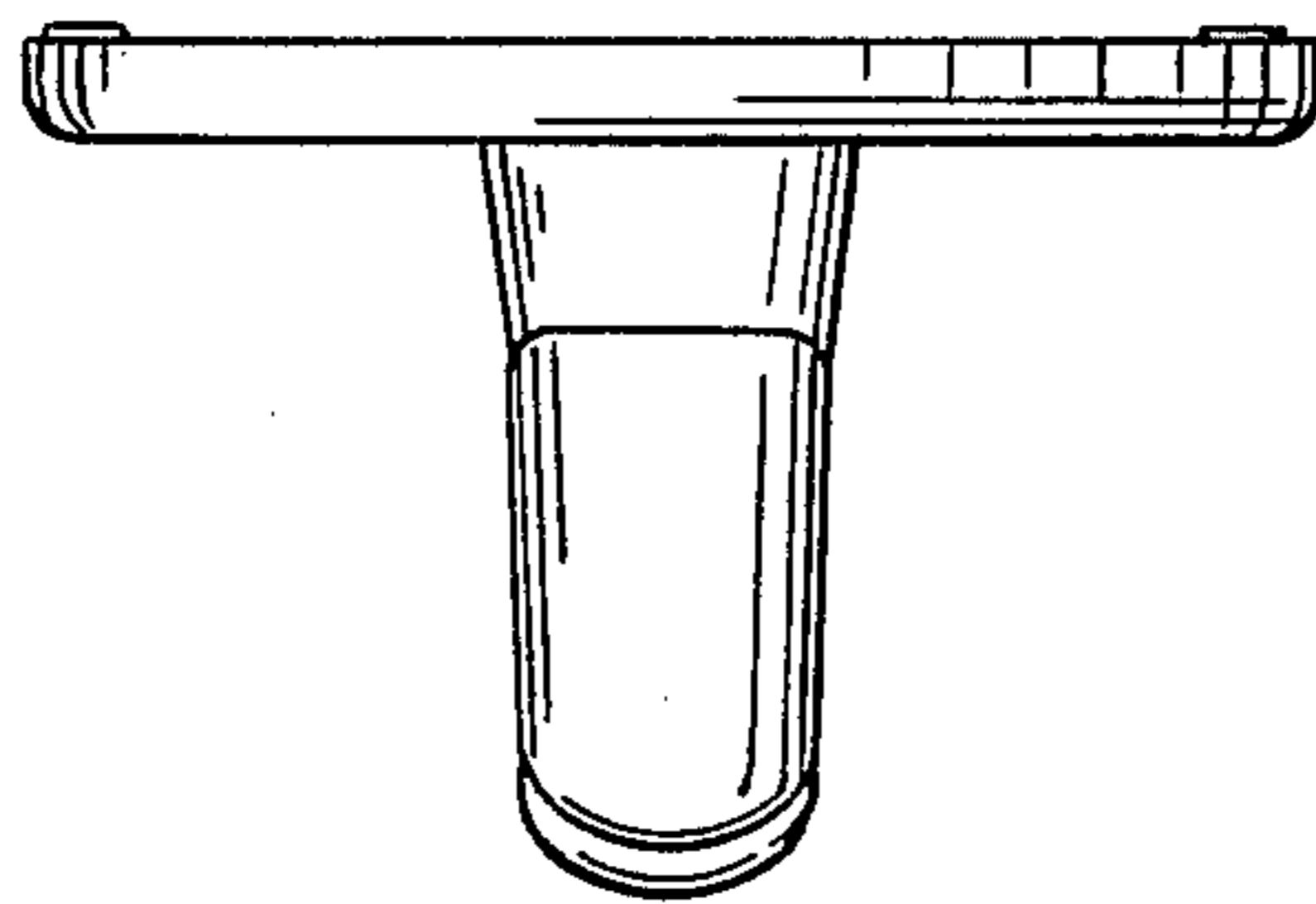


Fig. 5

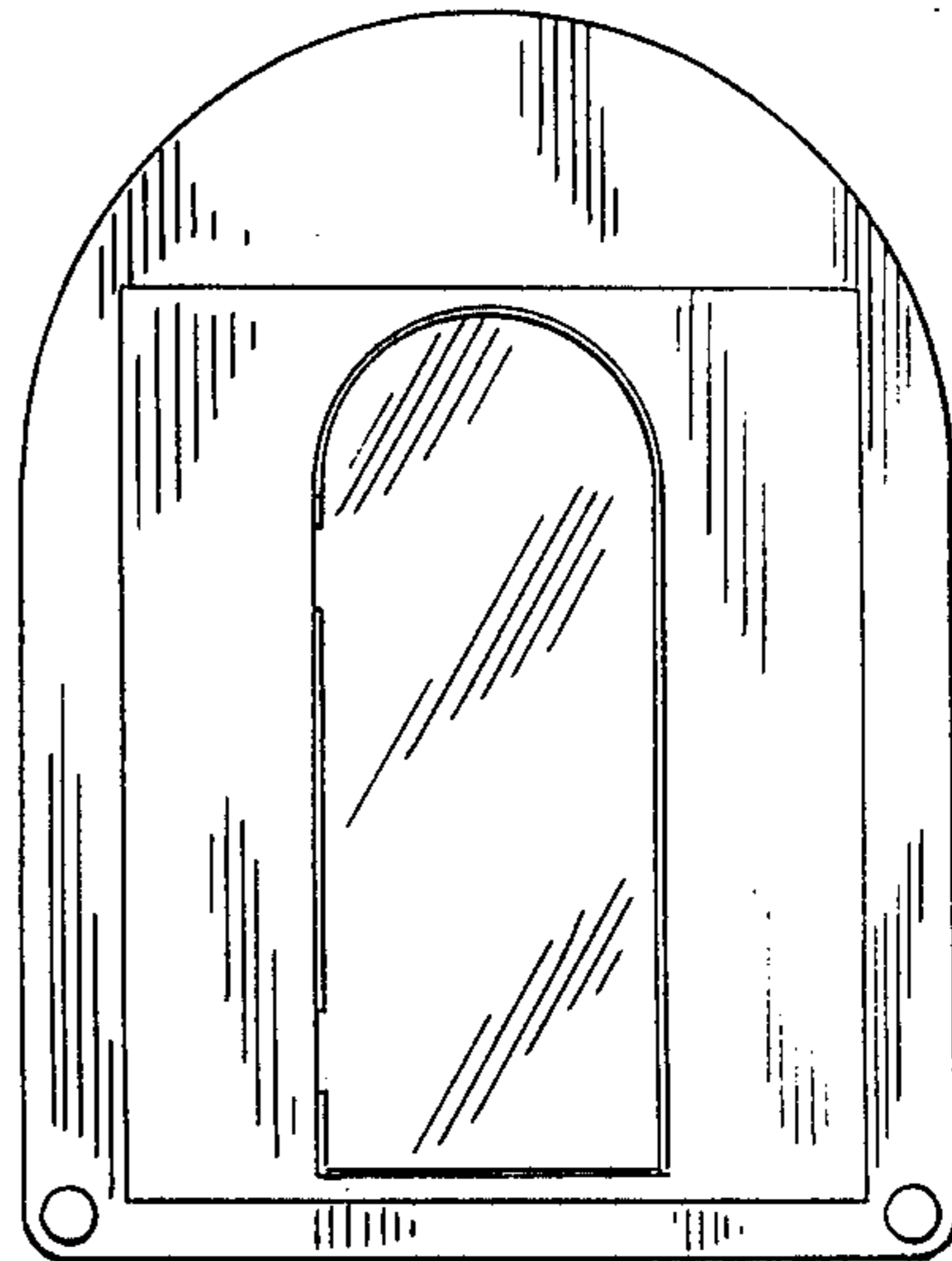


Fig. 4

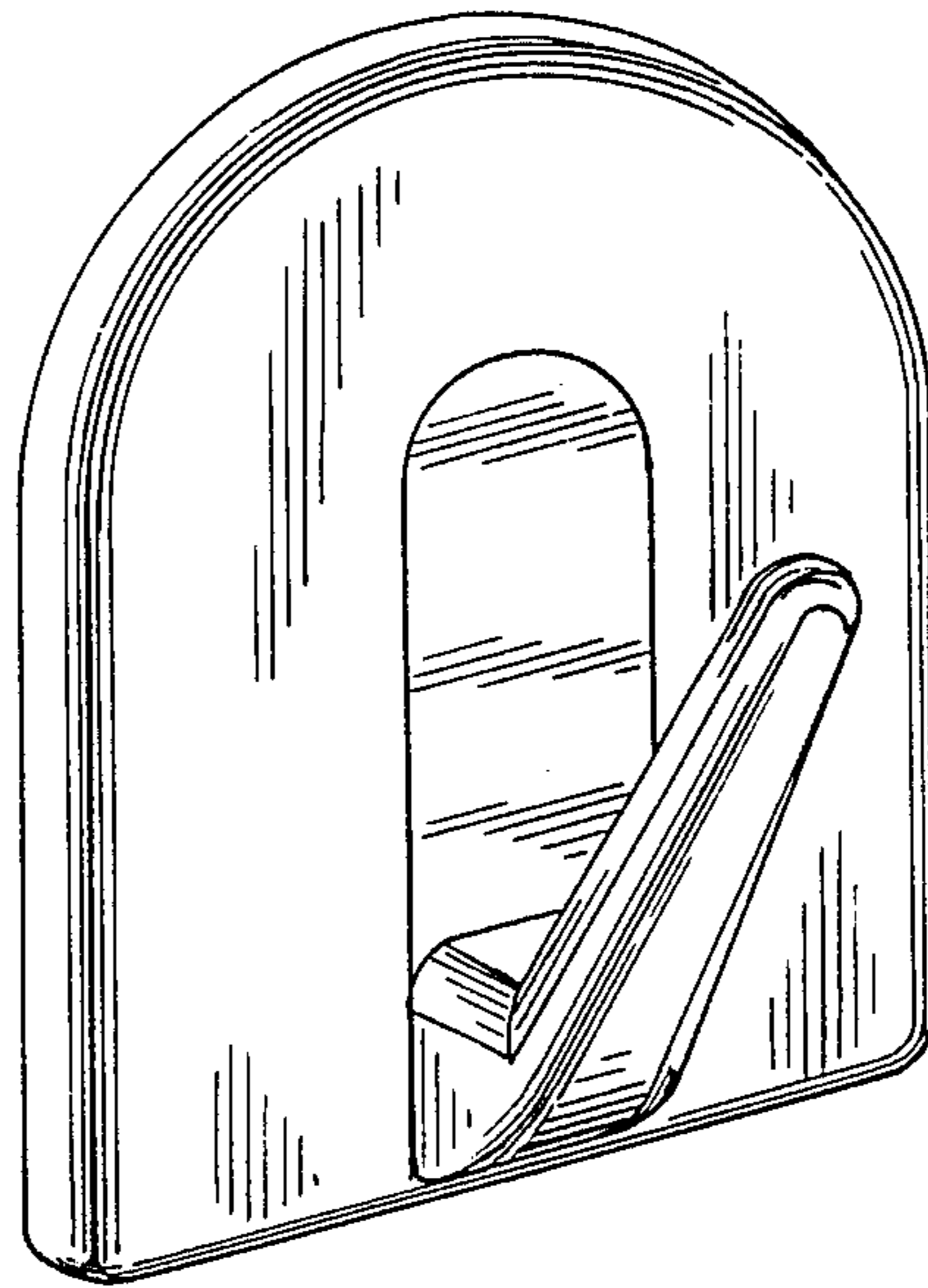


Fig. 6