

[54] **FRAMER'S TOOL**

[75] **Inventor: Vincent T. Kozyrski, Plainville, Conn.**

[73] **Assignee: The Fletcher-Terry Company, Farmington, Conn.**

[**] **Term: 14 Years**

[21] **Appl. No.: 793,983**

[22] **Filed: Nov. 1, 1985**

[52] **U.S. Cl. D8/51**

[58] **Field of Search D8/14, 51-52, D8/71, 73, 68; 227/140, 147, 153; 7/125, 127, 128; 81/52, 488, 356**

[56] **References Cited**

U.S. PATENT DOCUMENTS

D. 148,481 1/1948 Peterson D8/49
D. 237,247 10/1975 Nockleby D8/52

D. 288,404 2/1987 Somers et al. D8/49

OTHER PUBLICATIONS

Popular Mechanics, Nov. 1979, p. 14, "Brad Squeezer".

Primary Examiner—Wallace R. Burke

Assistant Examiner—Brian N. Vinson

Attorney, Agent, or Firm—Ira S. Dorman

[57] **CLAIM**

The ornamental design for a framer's tool, as shown.

DESCRIPTION

FIG. 1 is a perspective view of a framer's tool embodying my new design;

FIG. 2 is a front elevational view thereof;

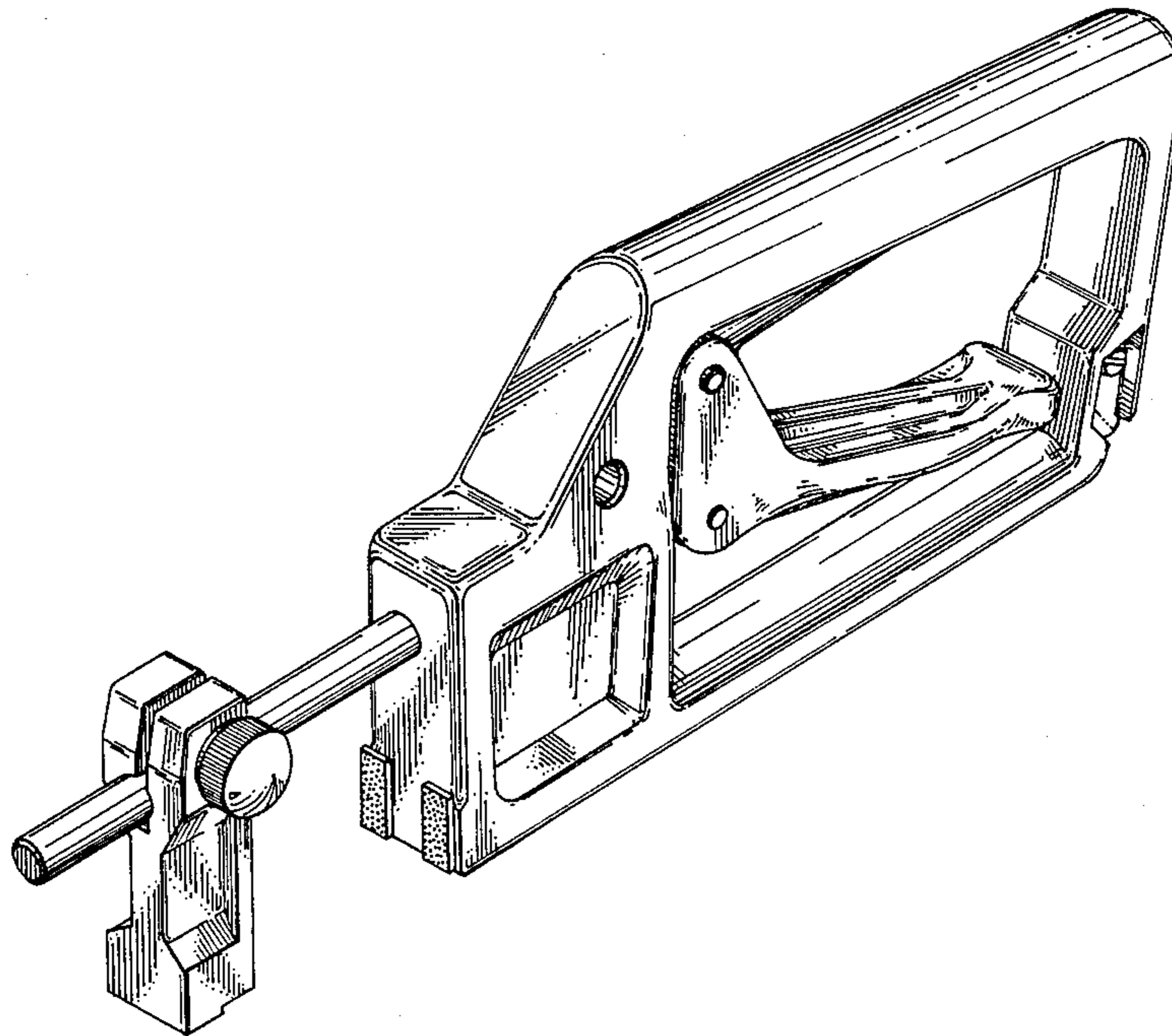
FIG. 3 is a rear elevational view thereof;

FIG. 4 is an elevational view of one side thereof;

FIG. 5 is a bottom view thereof;

FIG. 6 is a top view thereof; and

FIG. 7 is an elevational view of the opposite side thereof.



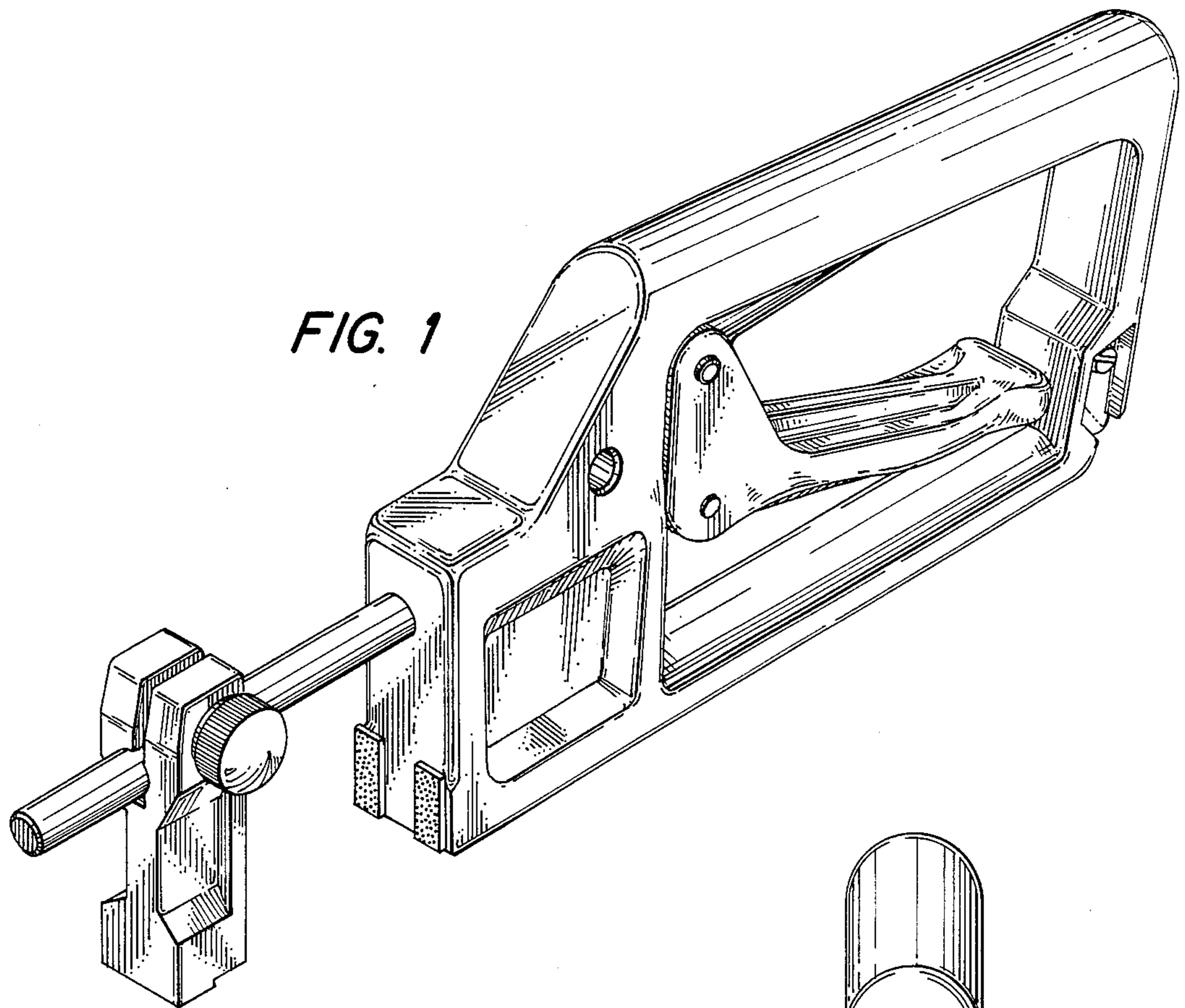


FIG. 2

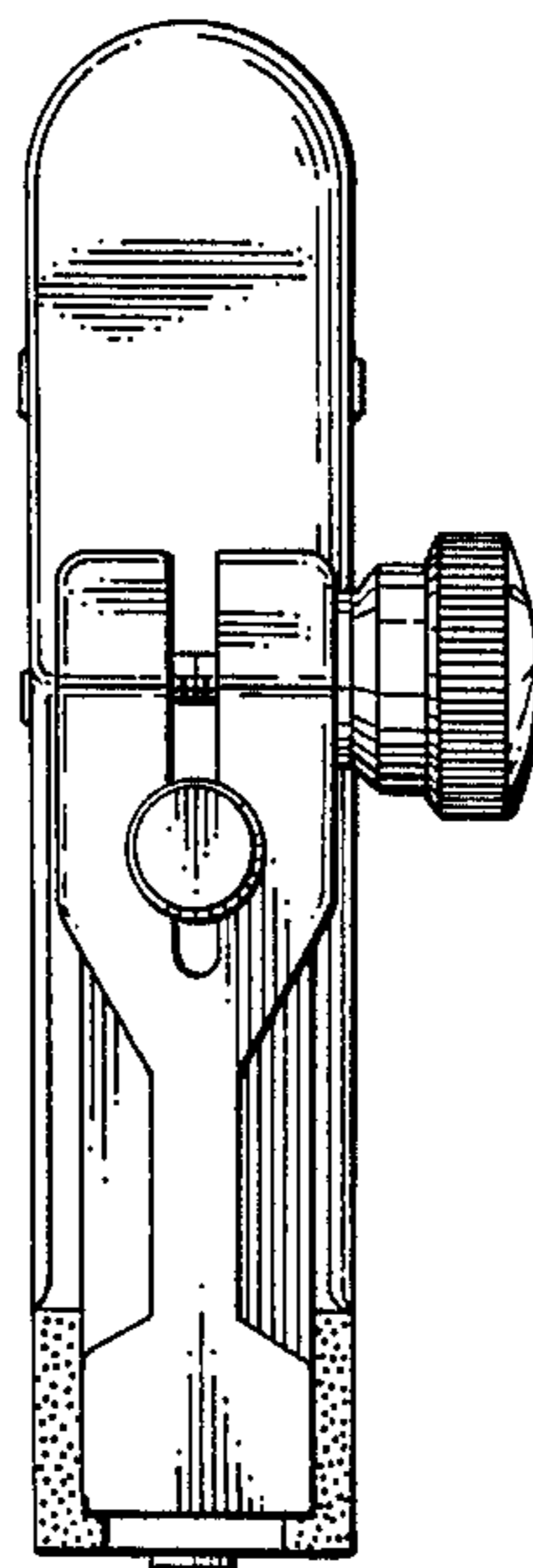
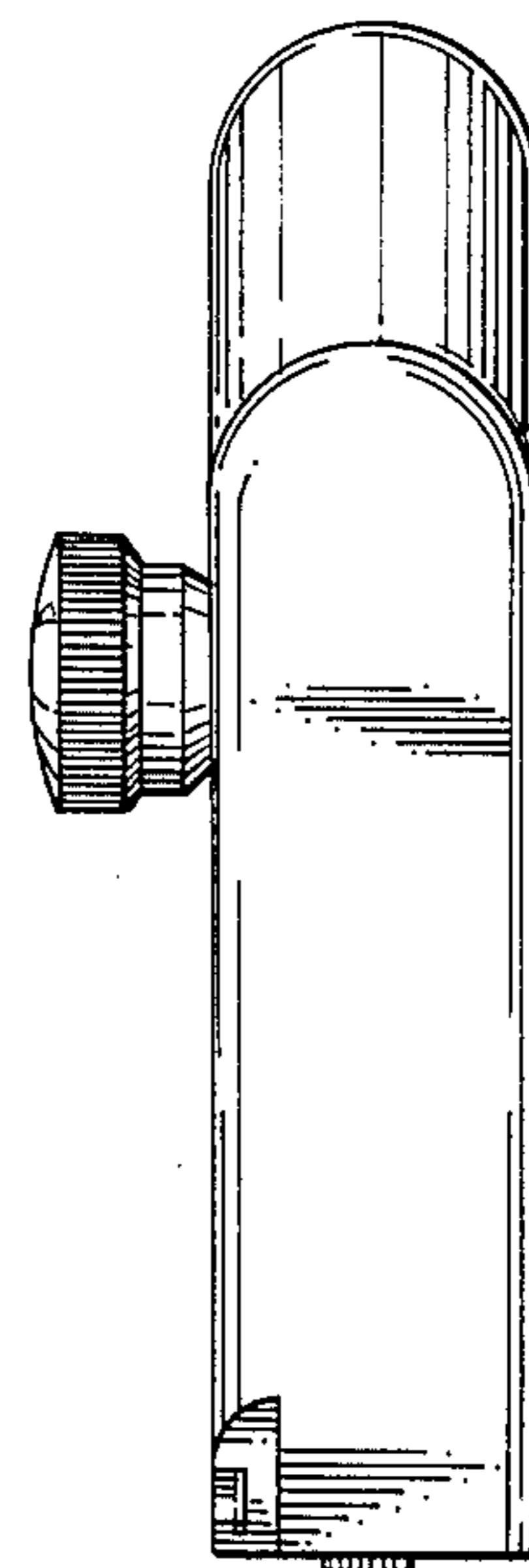


FIG. 3



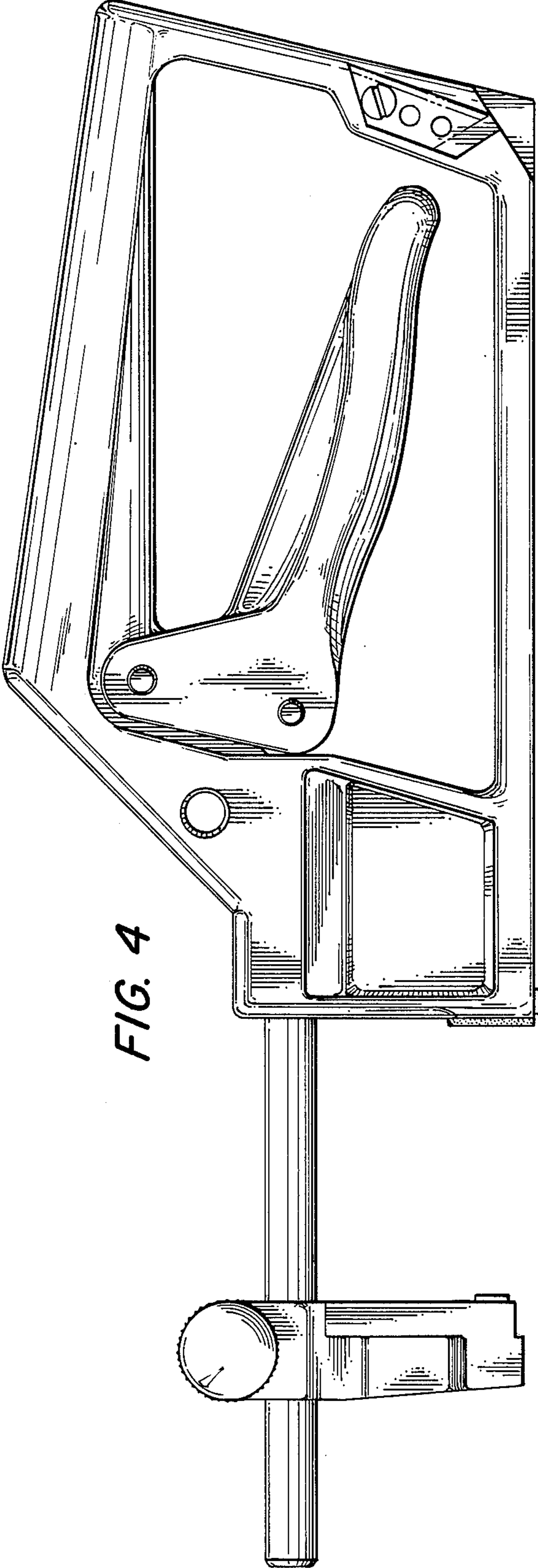


FIG. 4

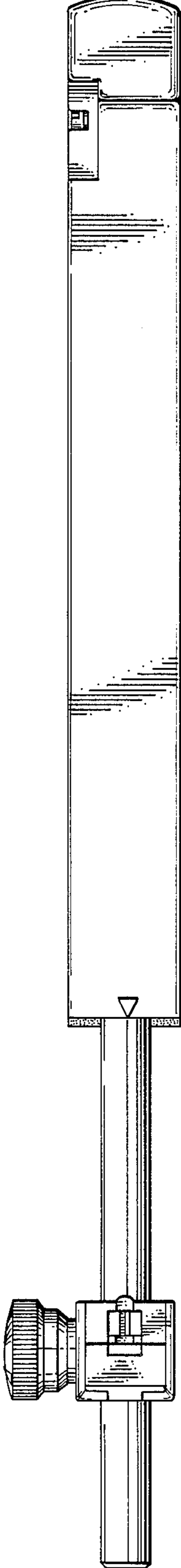


FIG. 5

