

[54] **HAND HELD ELECTRIC CAN OPENER**

[75] **Inventor: Kuniyuki Shimoo, Osaka, Japan**

[73] **Assignee: Sanyo Electric Co., Ltd., Japan**

[**] **Term: 14 Years**

[21] **Appl. No.: 762,155**

[22] **Filed: Aug. 2, 1985**

[30] **Foreign Application Priority Data**

Feb. 8, 1985 [JP] Japan 60-4779

[52] **U.S. Cl. D8/36**

[58] **Field of Search D8/36, 18, 33, 34, 40;
30/400, 409, 410, 416, 421-426**

[56] **References Cited**

U.S. PATENT DOCUMENTS

D. 276,406 11/1984 Johnson et al. D8/37

FOREIGN PATENT DOCUMENTS

2092093 8/1982 United Kingdom 30/409

OTHER PUBLICATIONS

Gifts & Decorative Accessories, 6/84, p. 178, Can Opener, upper right corner.

Primary Examiner—Bernard Ansher

Assistant Examiner—Terry Pfeffer

Attorney, Agent, or Firm—Darby & Darby

[57] **CLAIM**

The ornamental design for a hand held electric can opener, as shown.

DESCRIPTION

FIG. 1 is a top, front, left side perspective view of a hand held electric can opener showing my new design; FIG. 2 is a top plan view thereof; FIG. 3 is a front elevational view thereof; FIG. 4 is a rear elevational view thereof; FIG. 5 is a right side elevational view thereof; FIG. 6 is a left side elevational view thereof; and FIG. 7 is a bottom plan view thereof.

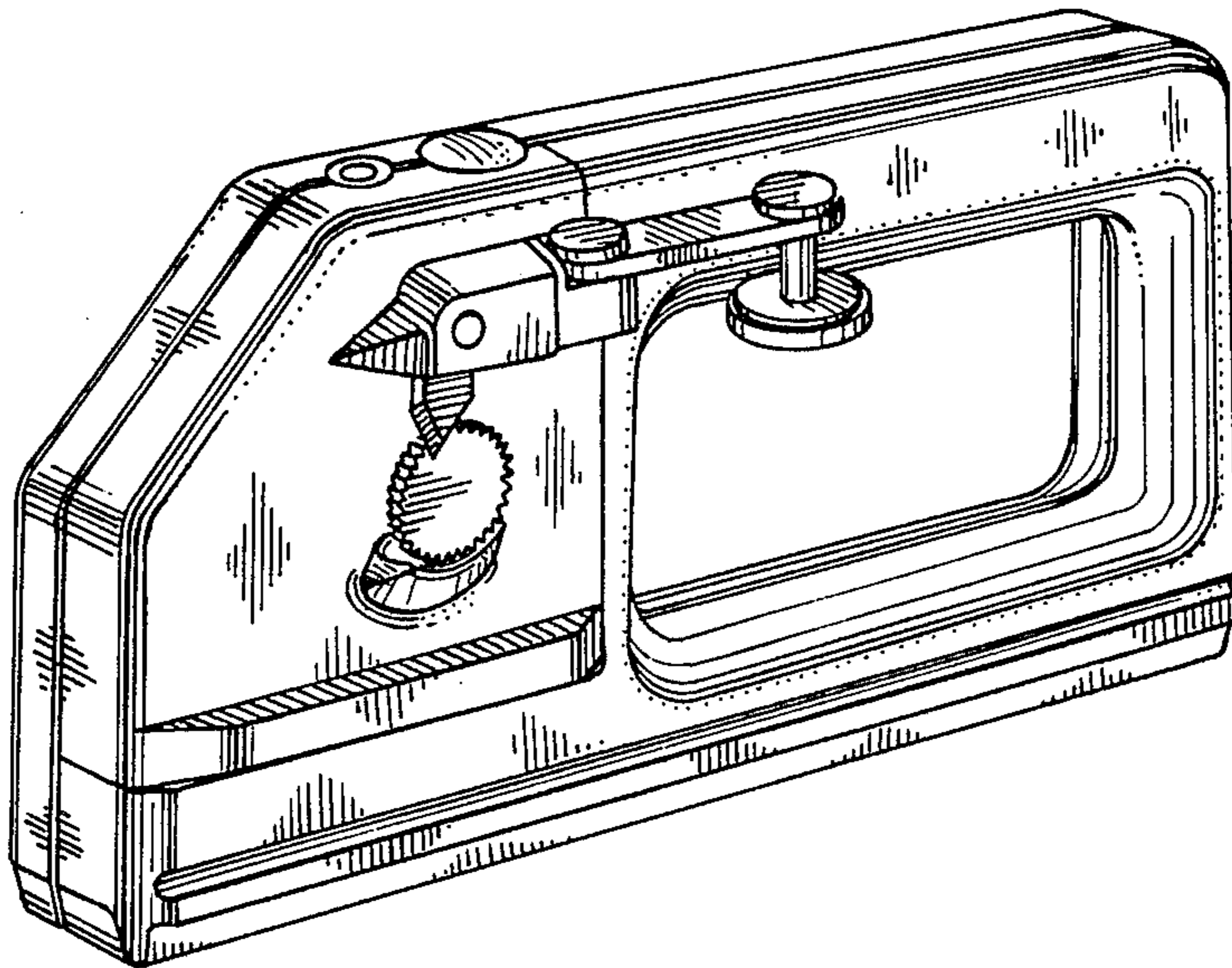


FIG. 1

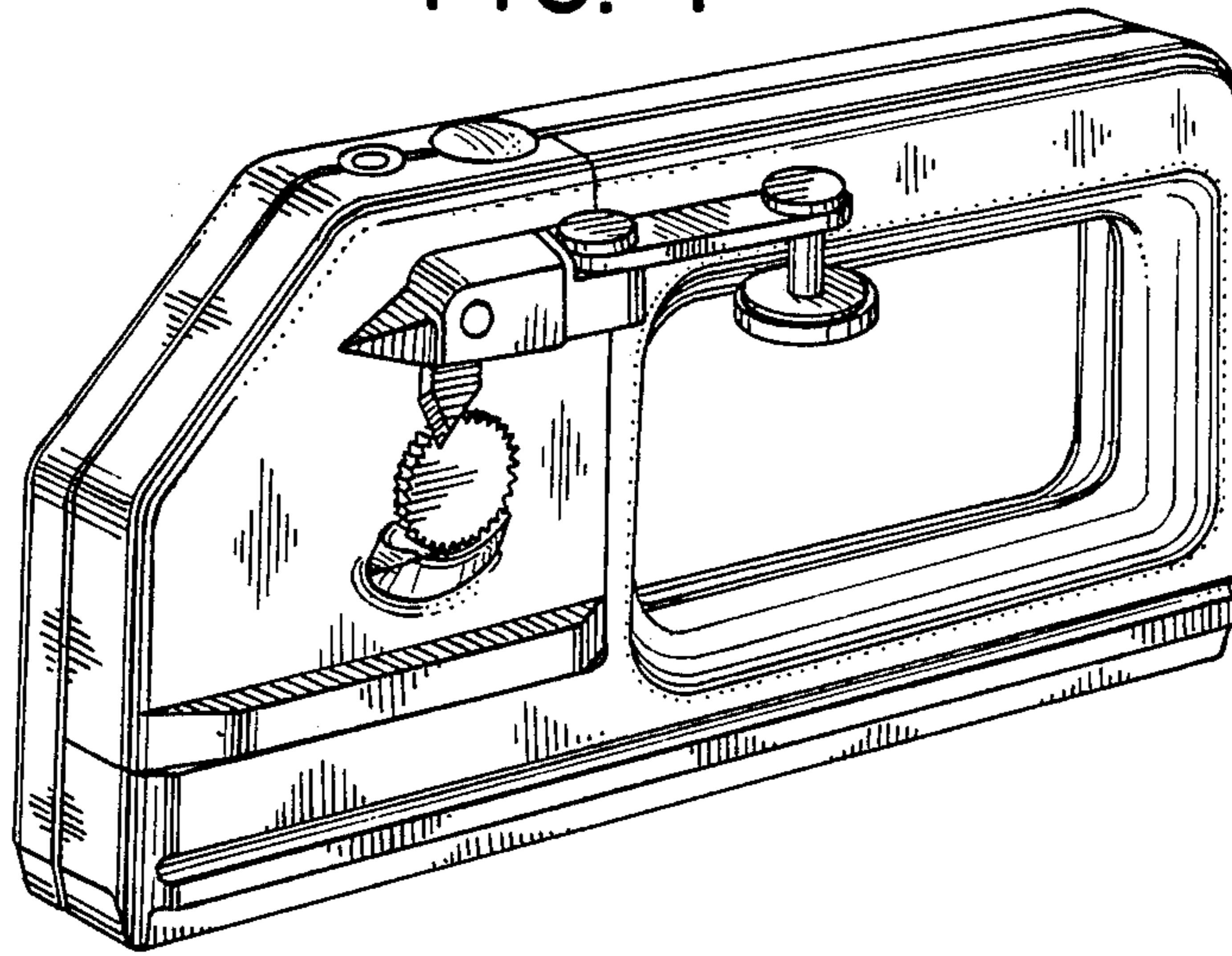


FIG. 2

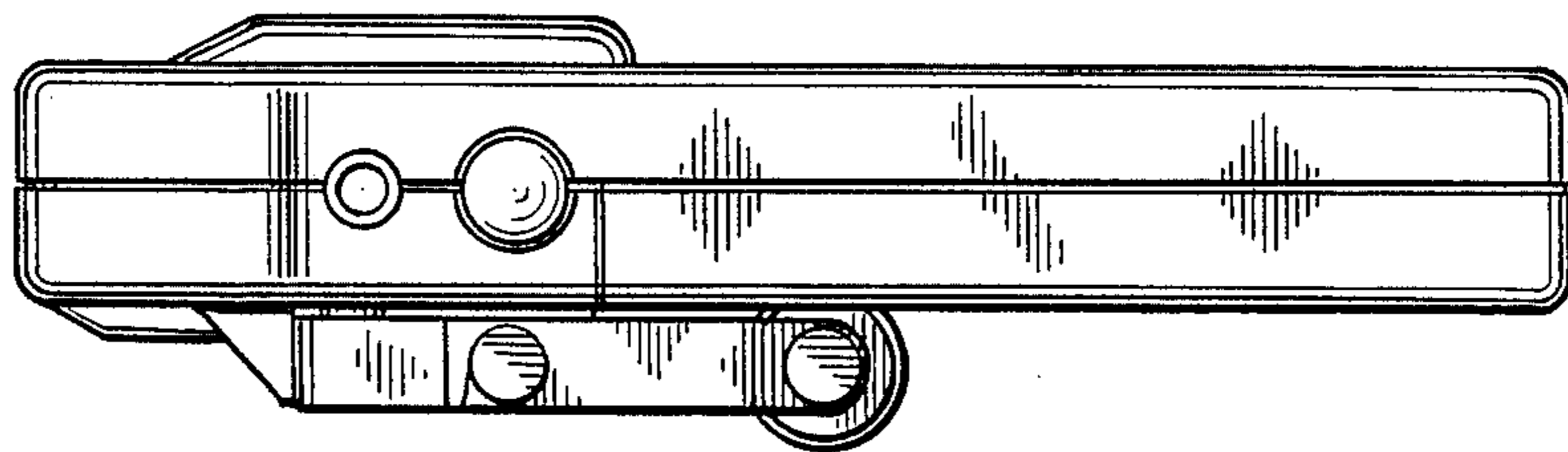


FIG. 3

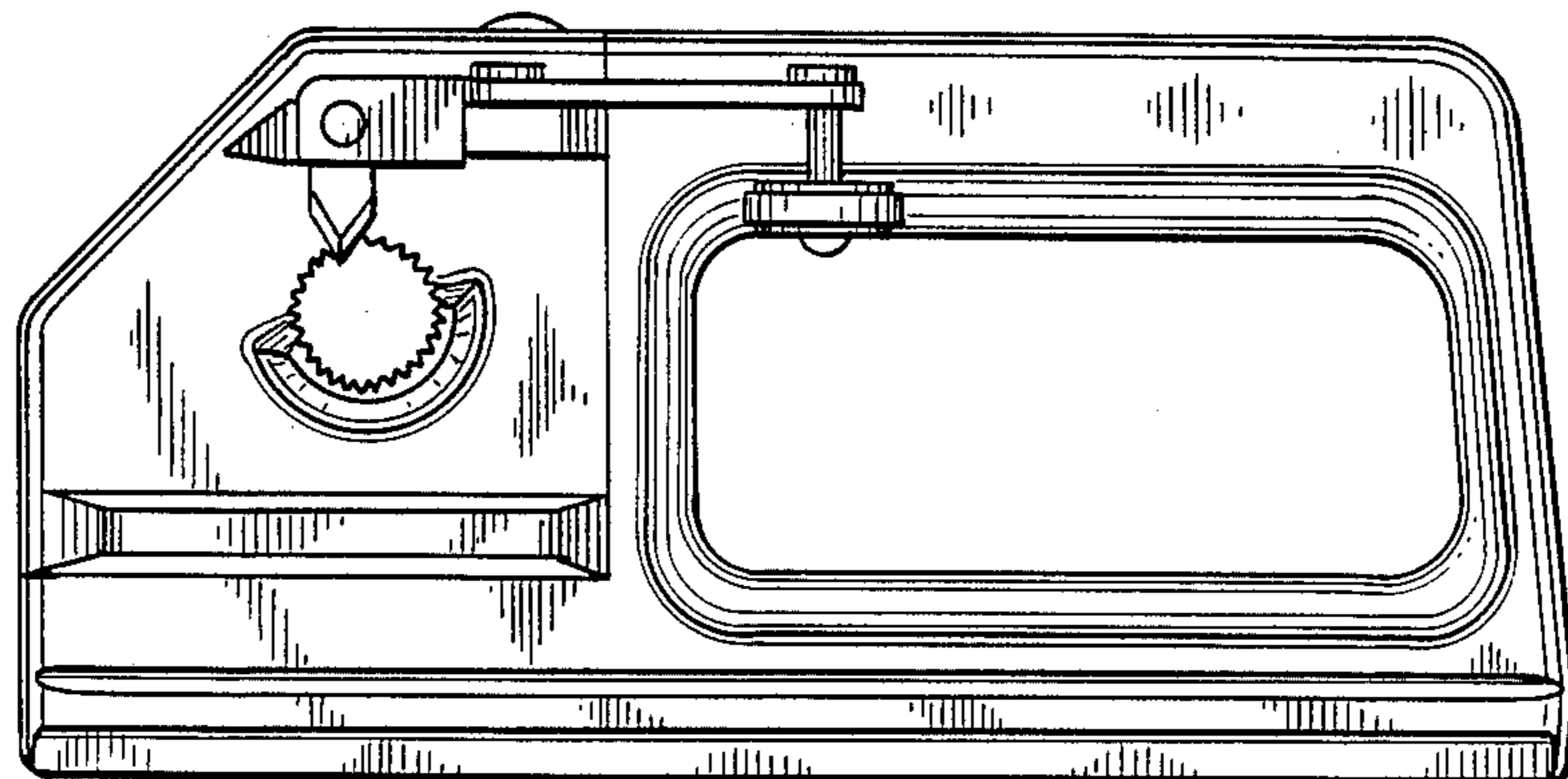


FIG. 4

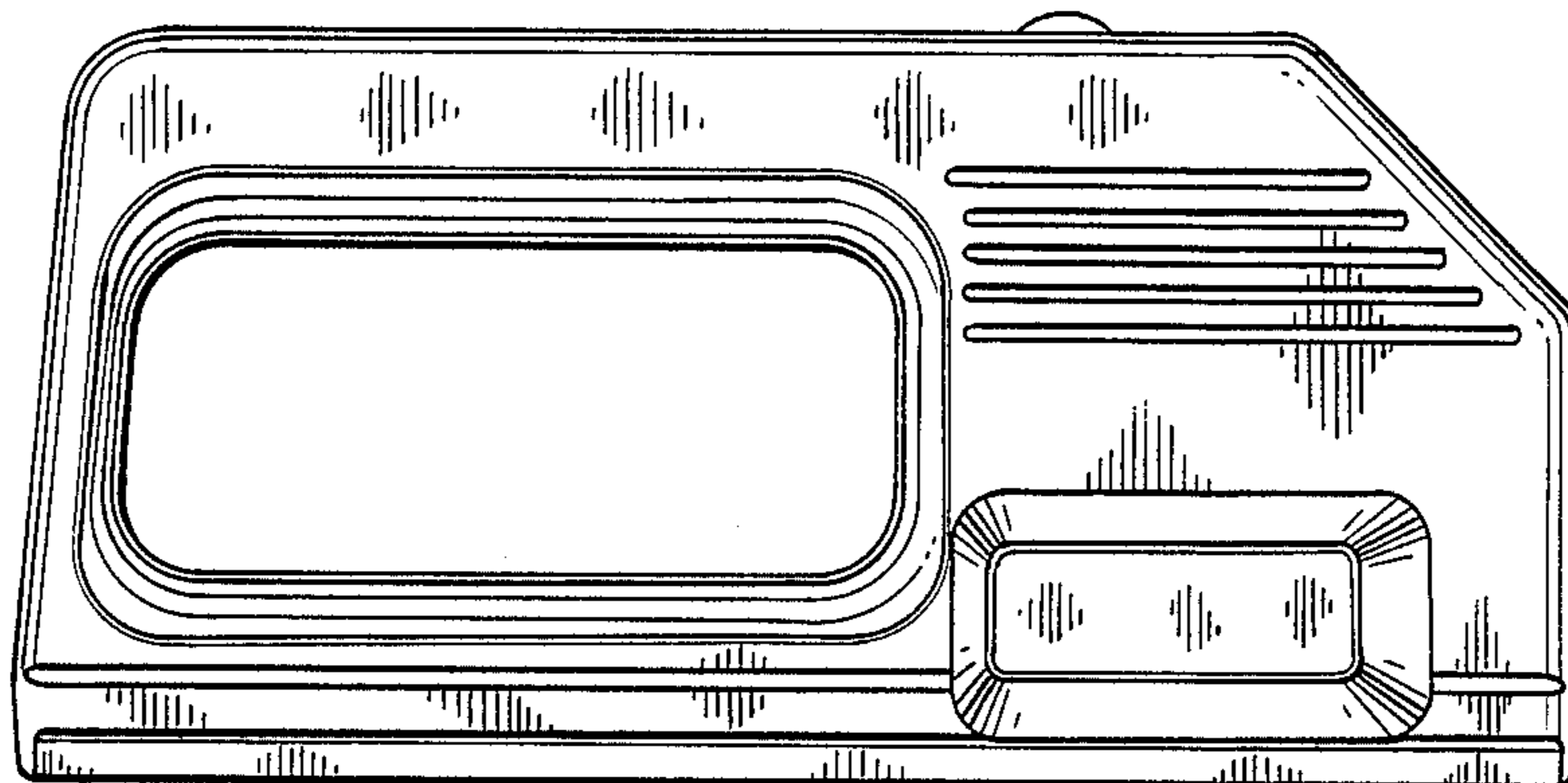


FIG. 5

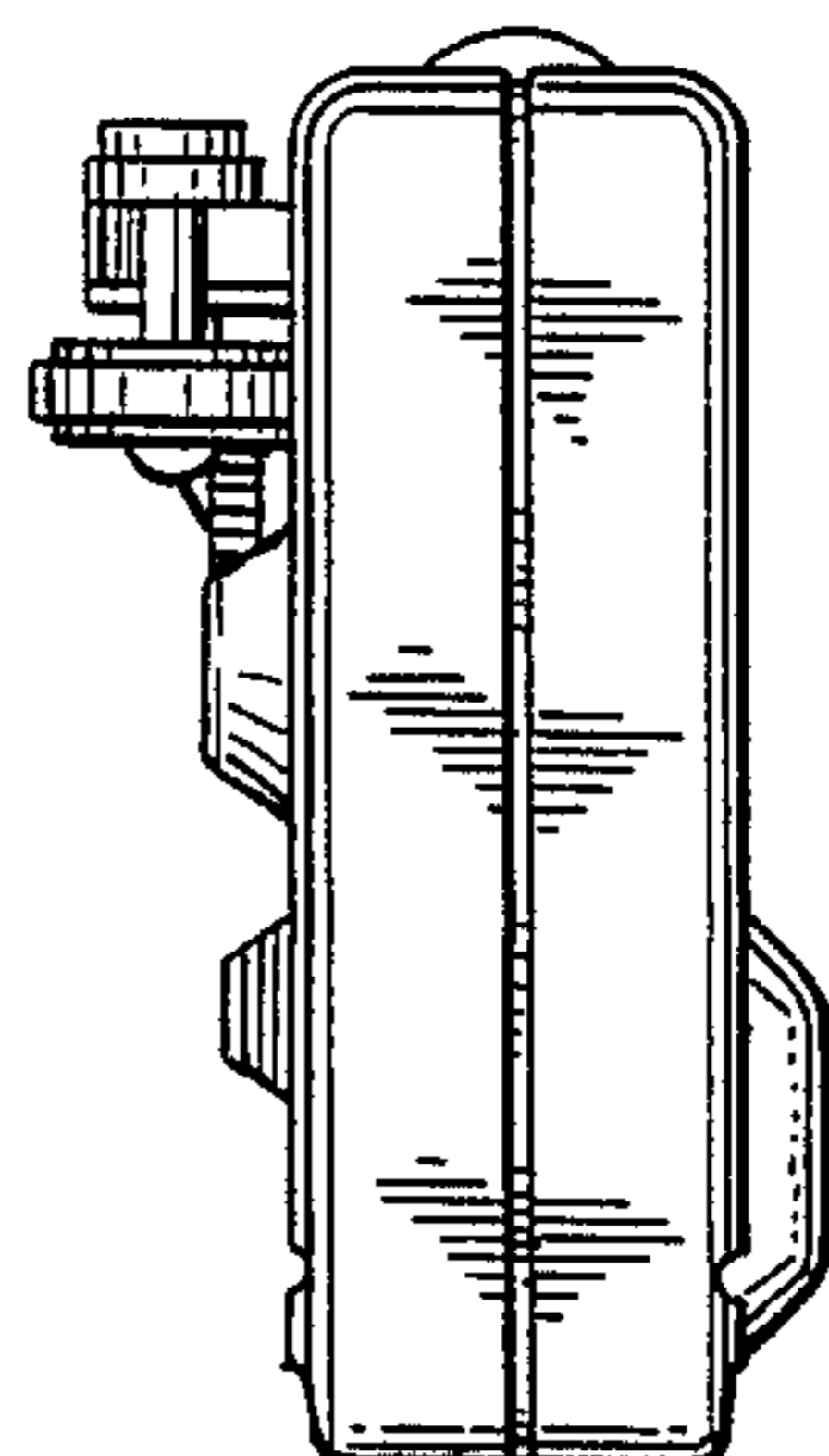


FIG. 6

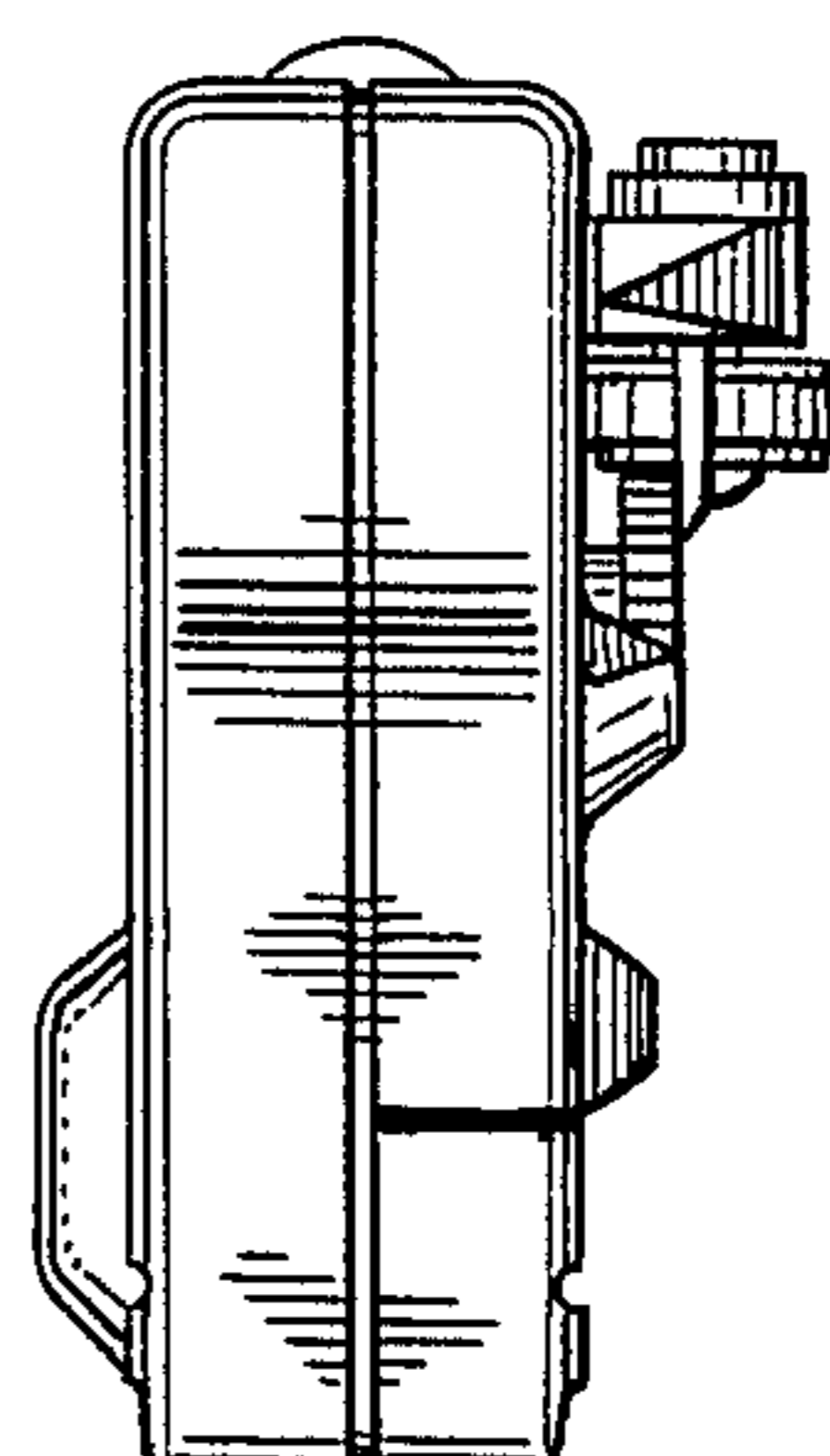


FIG. 7

