

[54] SWIVEL HEAD SPIKE WRENCH

[76] Inventor: Warren E. Levy, American Sales Corp., 9514-4 Reseda Blvd., Northridge, Calif. 91324

[**] Term: 14 Years

[21] Appl. No.: 754,270

[22] Filed: Jul. 12, 1985

[52] U.S. Cl. D8/24

[58] Field of Search D8/23, 24, 25, 27, 29; 81/63, 63.2, 121.1, 125, 124.2, 124.3, 124.4, 124.6, 125.1, 177.7, 177.75, 177.85

[56] References Cited

U.S. PATENT DOCUMENTS

D. 199,149	9/1964	Greenlee	D8/25
2,549,515	4/1951	Orey et al.	81/124.3
3,010,346	11/1961	Kulp	81/124.2
4,095,494	6/1978	Castoe	81/63.2

OTHER PUBLICATIONS

Klein Tools Catalog 127, ©1984, p. 53, 17" Flex Handle Socket Wrench No. 65822, center right side of page.

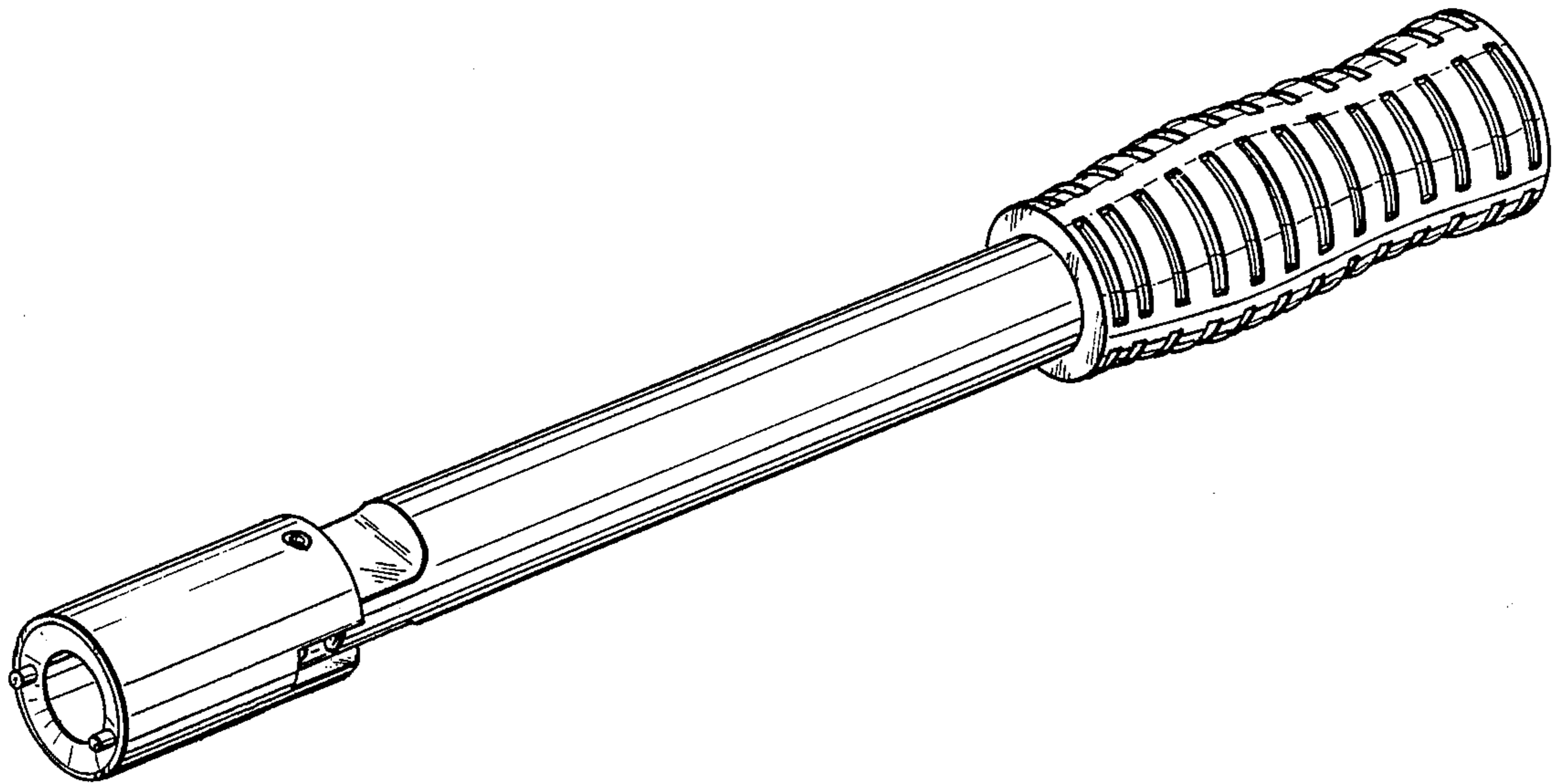
Primary Examiner—James M. Gandy
Attorney, Agent, or Firm—Cislo & Thomas

[57] CLAIM

The ornamental design for a swivel head spike wrench, as shown and described.

DESCRIPTION

FIG. 1 is a perspective view of a swivel head spike wrench showing my new design; FIG. 2 is a right side elevation view thereof, the left side being a mirror image of that shown; FIG. 3 is a top plan view thereof, the bottom being a mirror image of that shown; FIG. 4 is a front end elevation view thereof; and, FIG. 5 is a rear end elevation view thereof.



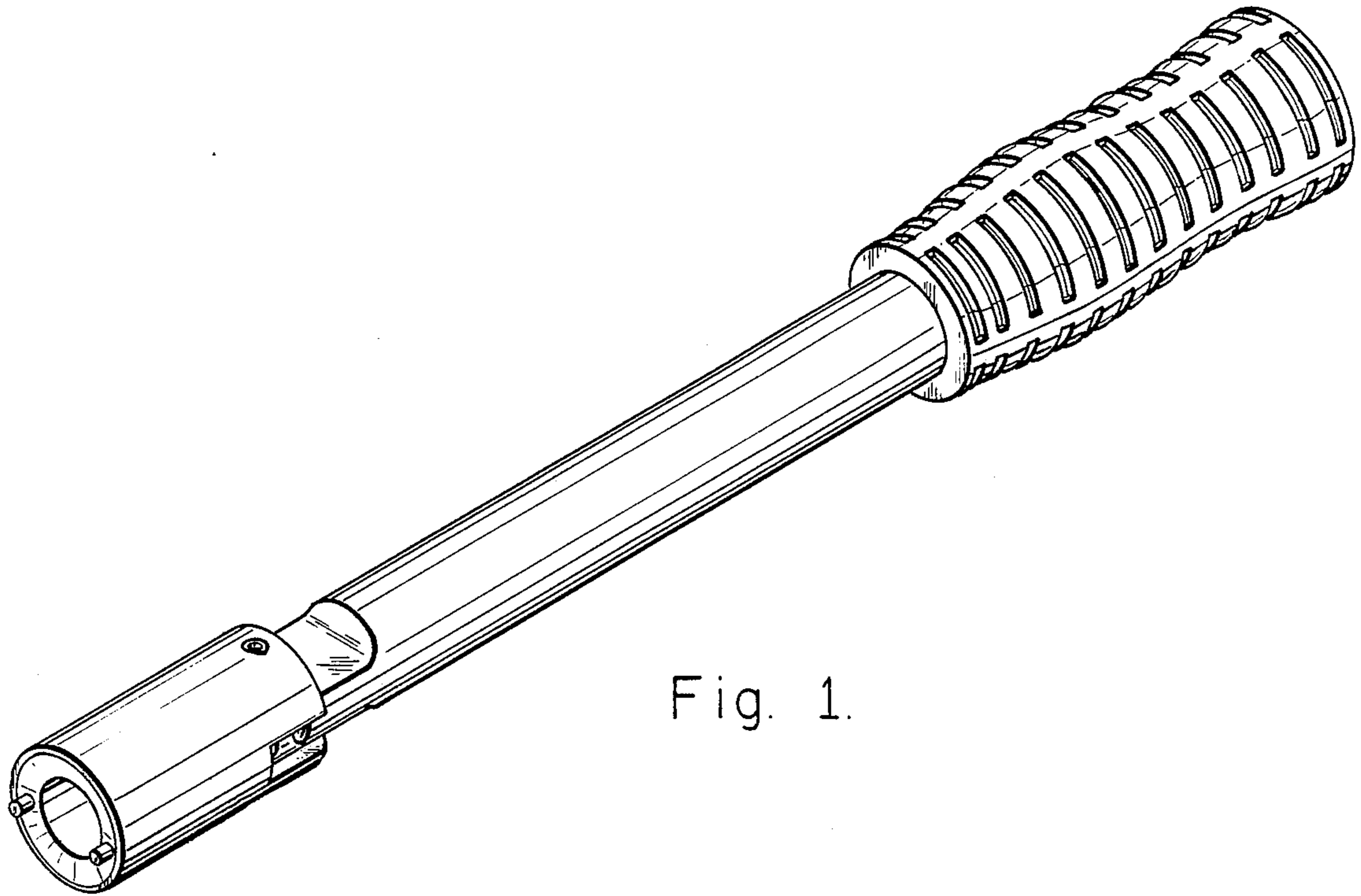


Fig. 1.

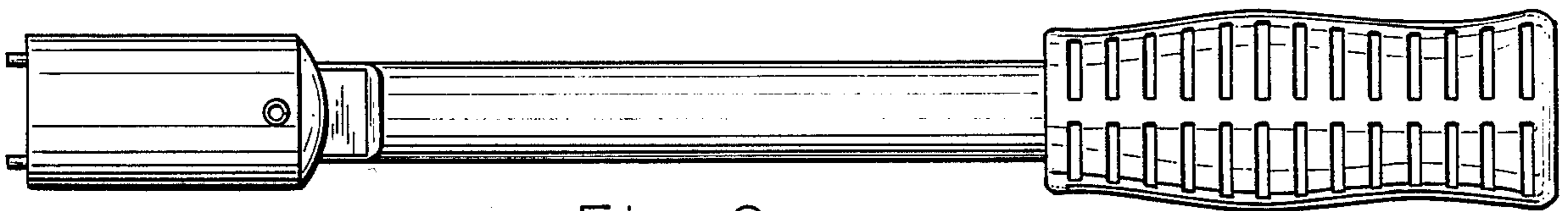


Fig. 2.

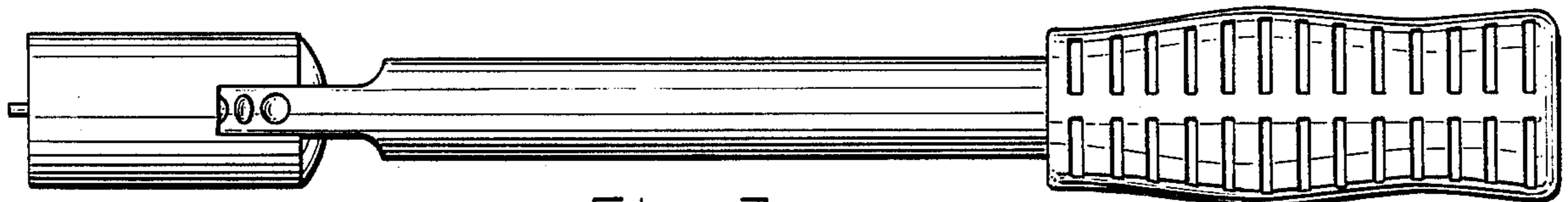


Fig. 3.

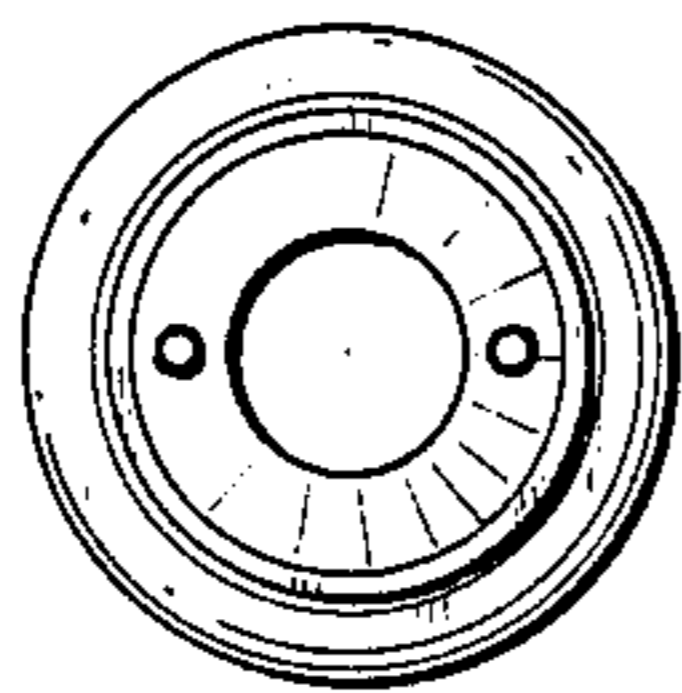


Fig. 4.

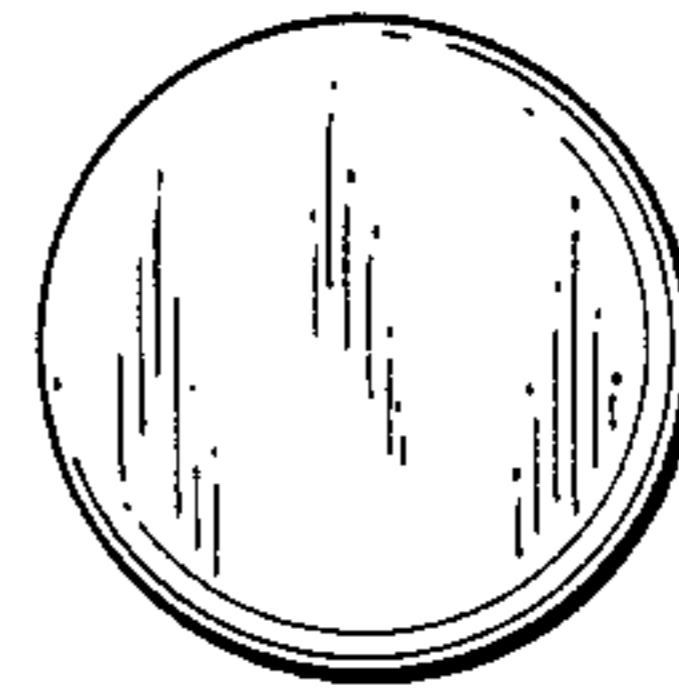


Fig. 5.