

[54] HAND-CRANKED COOLER-CONTAINER

OTHER PUBLICATIONS

[76] Inventors: William A. Threadgill, Jr.; Earl W. Kelley, III, both of 1324 13th Pl., S., #2, Birmingham, Ala. 35205

Housewares Review, 1/69, p. 145, Cooler, top, left corner.

Hong Kong Enterprise, 7/82, p. 409, Ice Bucket, S-113110, 1st col., 2nd row.

[\*\*] Term: 14 Years

Primary Examiner—Bernard Ansher

Assistant Examiner—Terry Pfeffer

[21] Appl. No.: 758,784

[57] CLAIM

The ornamental design for a hand-cranked cooler-container, as shown and described.

[22] Filed: Jul. 25, 1985

DESCRIPTION

[52] U.S. Cl. .... D7/77

[58] Field of Search ..... D7/76, 77; D9/352; 62/457; 220/95, 94 R, 410-412

FIG. 1 is a top plan view of a hand-cranked cooler container showing our new design;

FIG. 2 is a bottom plan view thereof;

FIG. 3 is a front elevational view thereof;

FIG. 4 is a rear elevational view thereof;

FIG. 5 is a right side elevational view thereof;

FIG. 6 is a left side elevational view thereof;

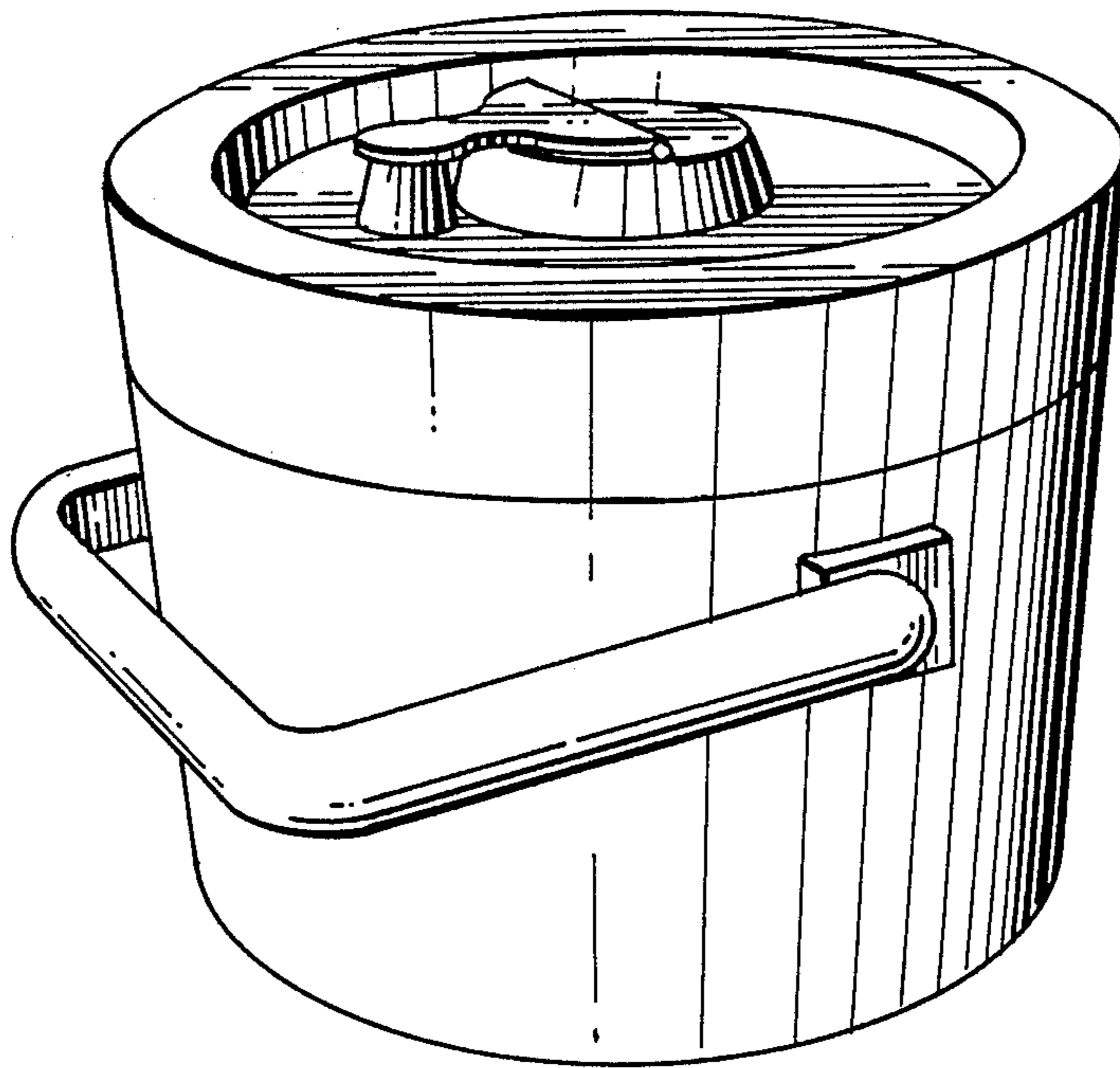
FIG. 7 is a top, front, right side perspective view thereof; and

FIG. 8 is a top, front, left side perspective view thereof.

[56] References Cited

U.S. PATENT DOCUMENTS

3,780,536 12/1973 Fishman et al. .... 62/457 X  
4,286,440 9/1981 Taylor ..... 206/545 X



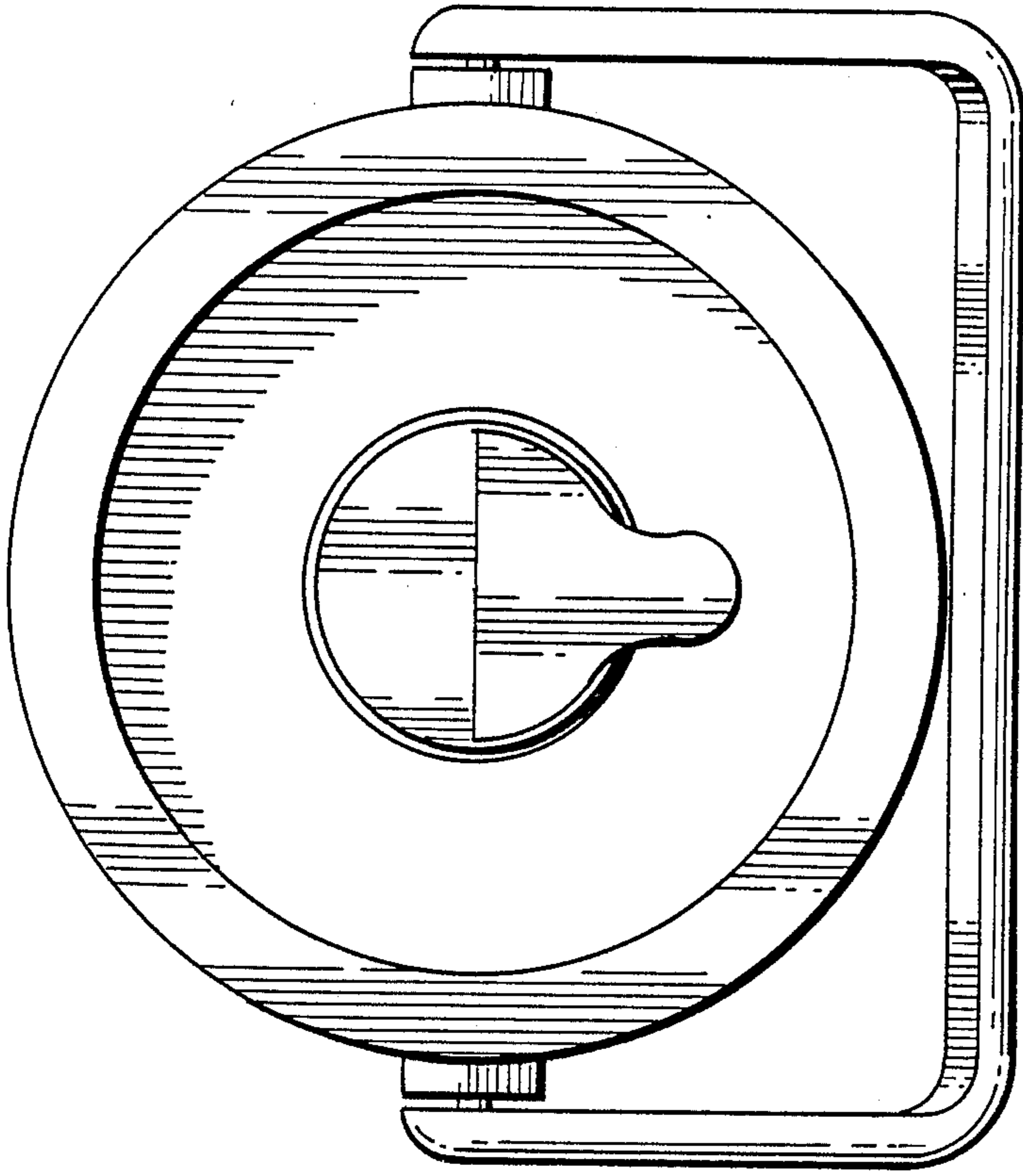
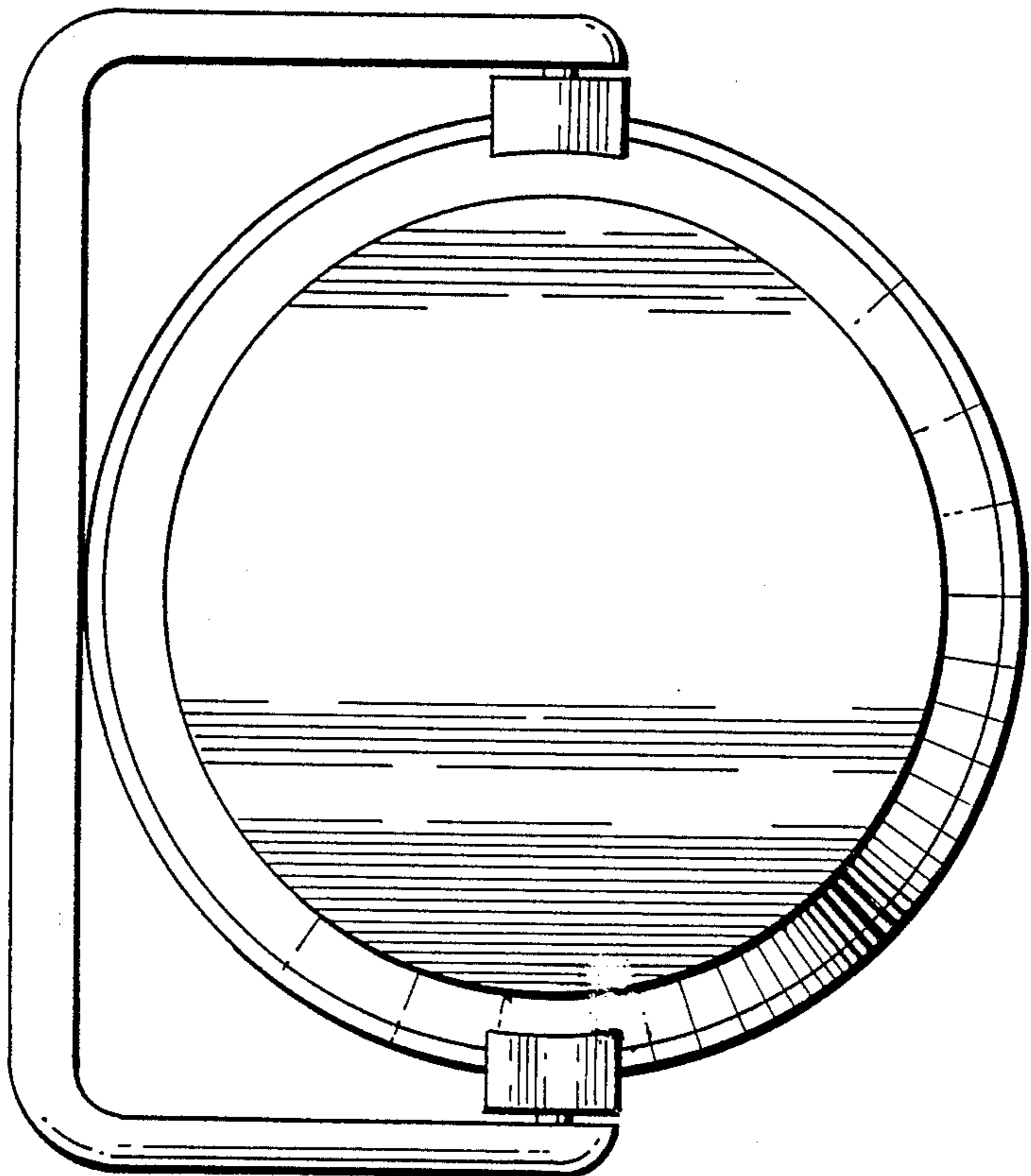


FIG. 1

FIG. 2



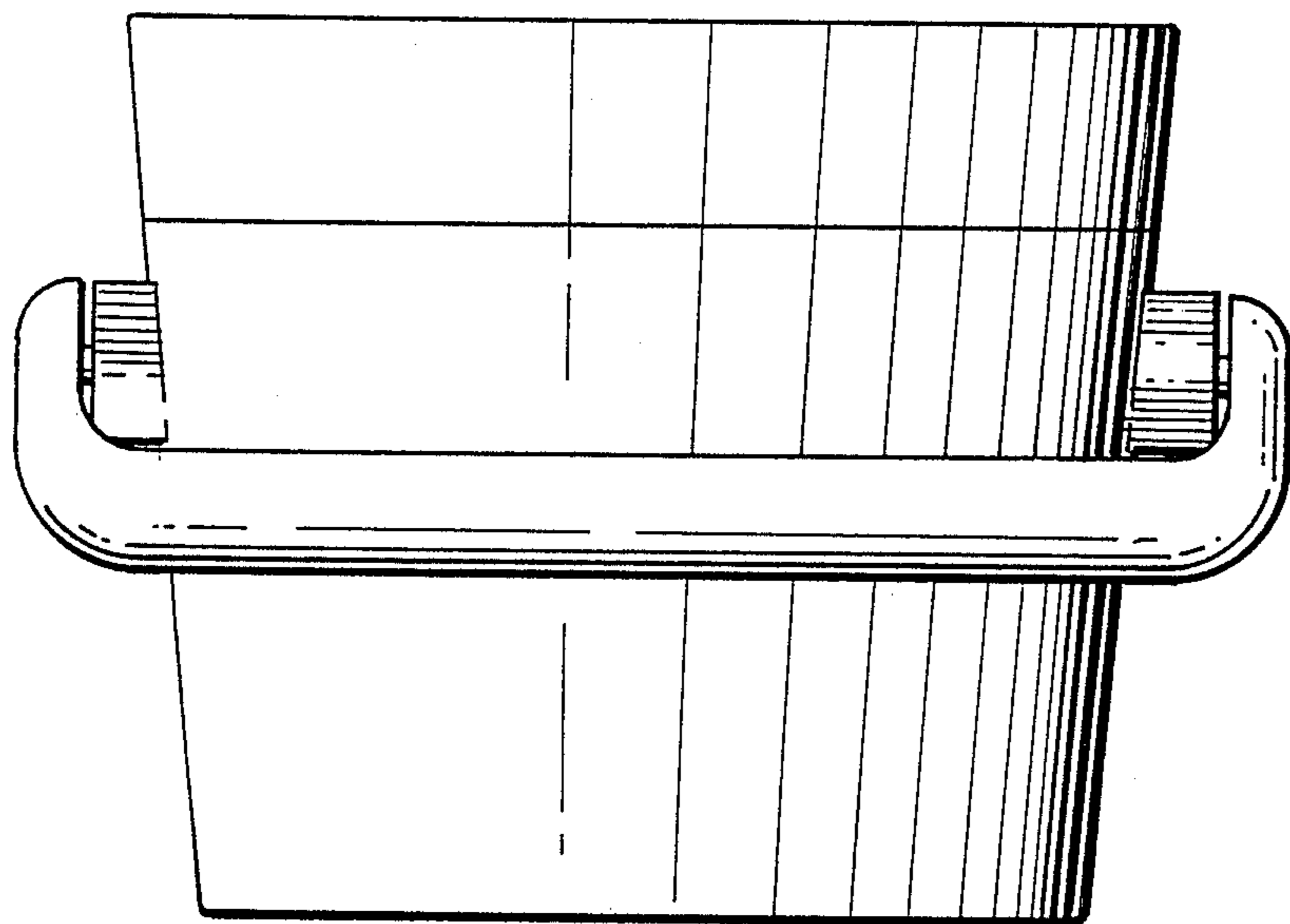


FIG. 3

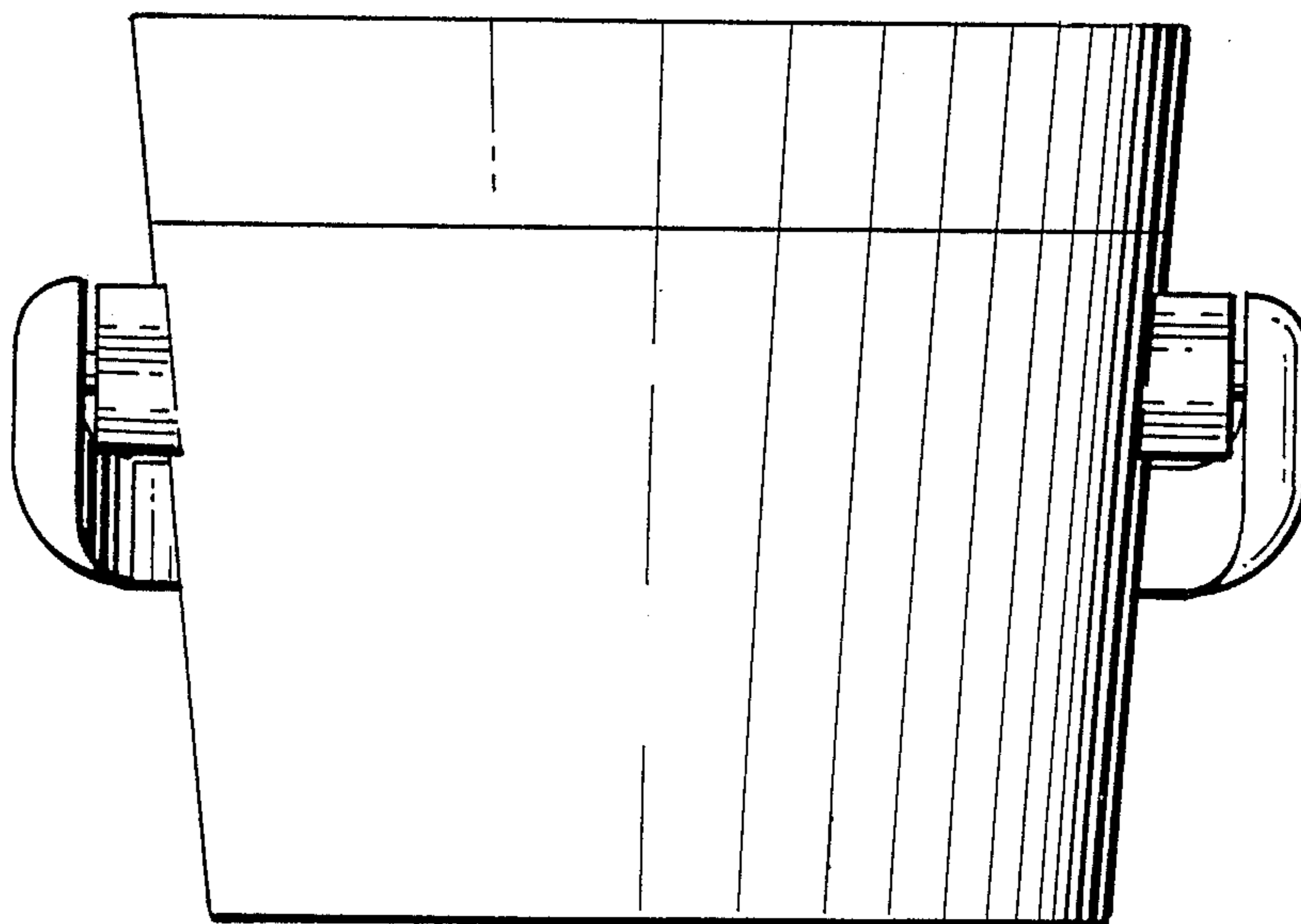


FIG. 4

FIG. 5

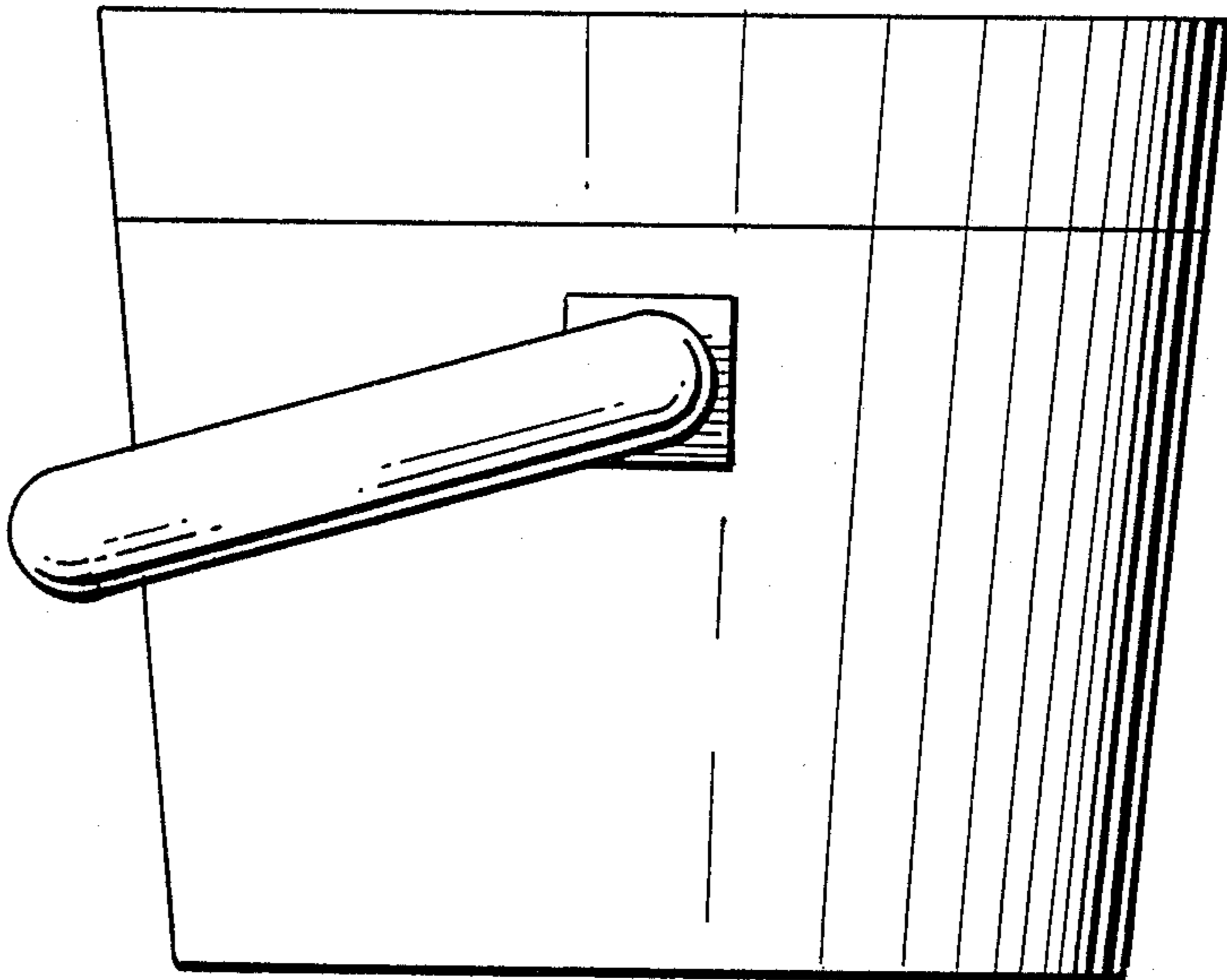
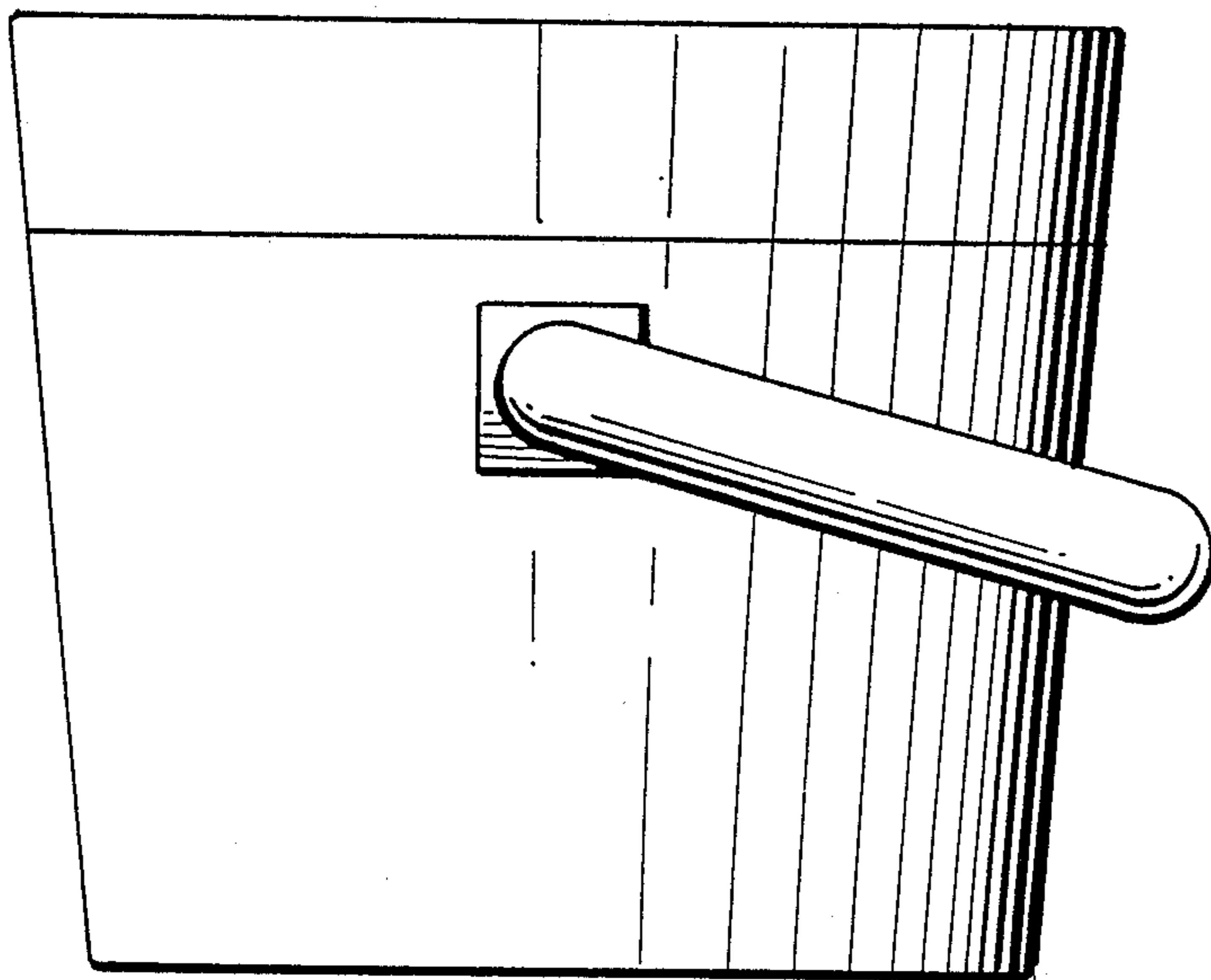


FIG. 6



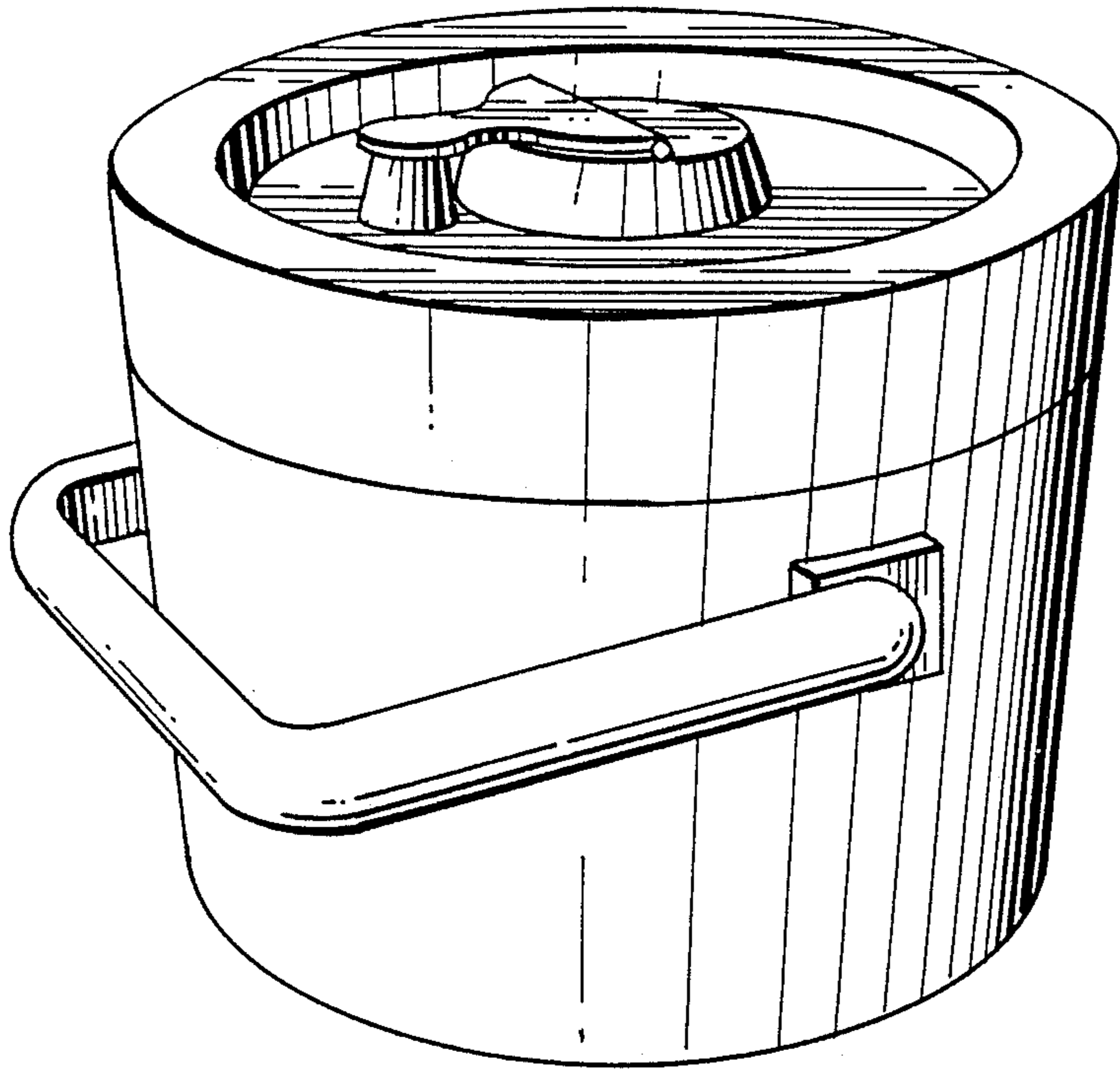


FIG. 7

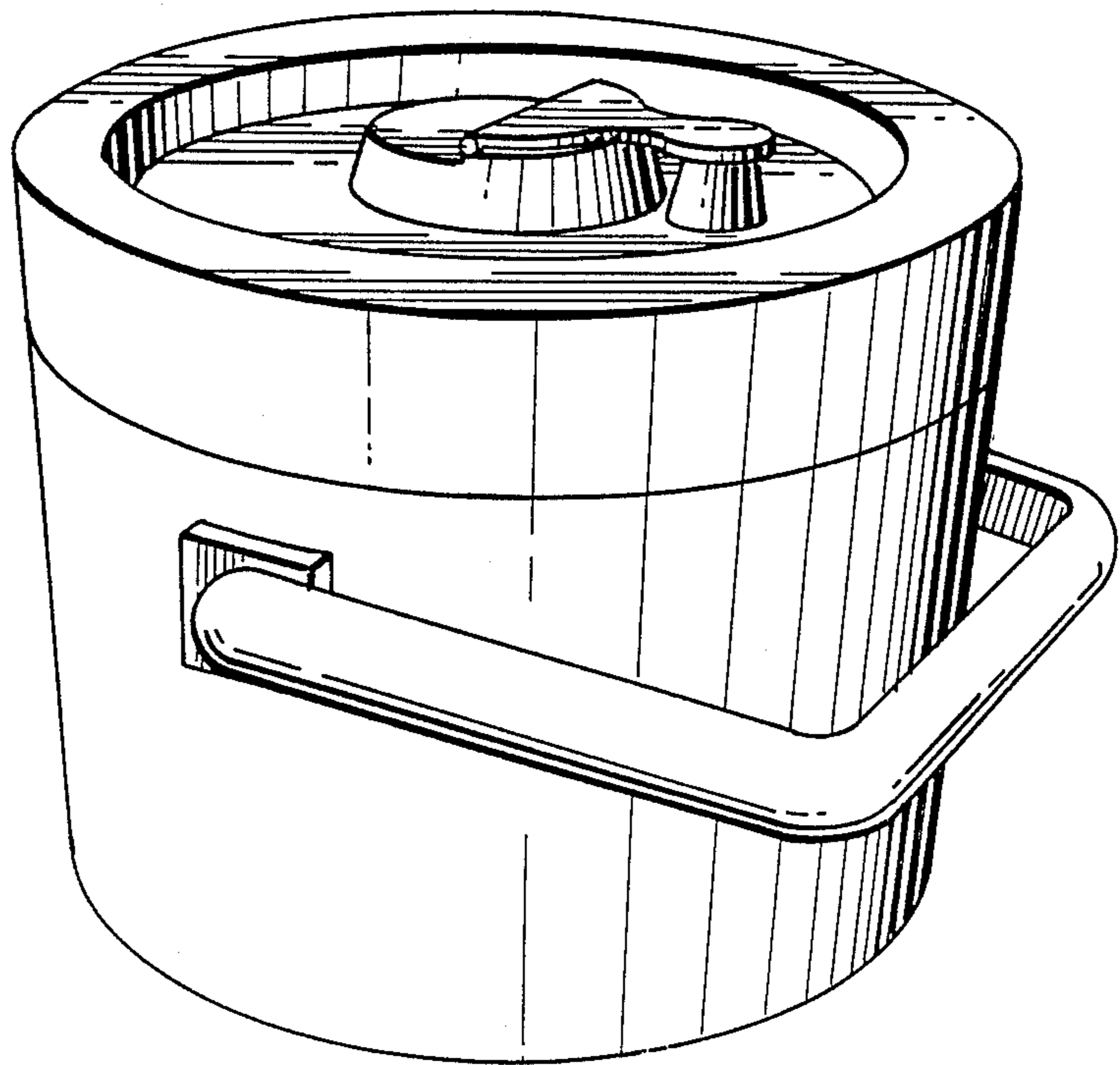


FIG. 8