

[54] **HIGH CHAIR**

[75] **Inventor: Lawrence M. Ausbon, La Mirada, Calif.**

[73] **Assignee: Virco Mfg. Corporation, Torrance, Calif.**

[**] **Term: 14 Years**

[21] **Appl. No.: 856,114**

[22] **Filed: Apr. 21, 1986**

[52] **U.S. Cl. D6/339**

[58] **Field of Search D6/334, 335, 338, 339, D6/360**

[56] **References Cited**

U.S. PATENT DOCUMENTS

D. 153,672 5/1949 Giorgio D6/339
D. 173,651 12/1954 Gelman D6/339 X
D. 201,960 8/1965 Lay et al. D6/339
D. 283,956 5/1986 Lemmeyer D6/339

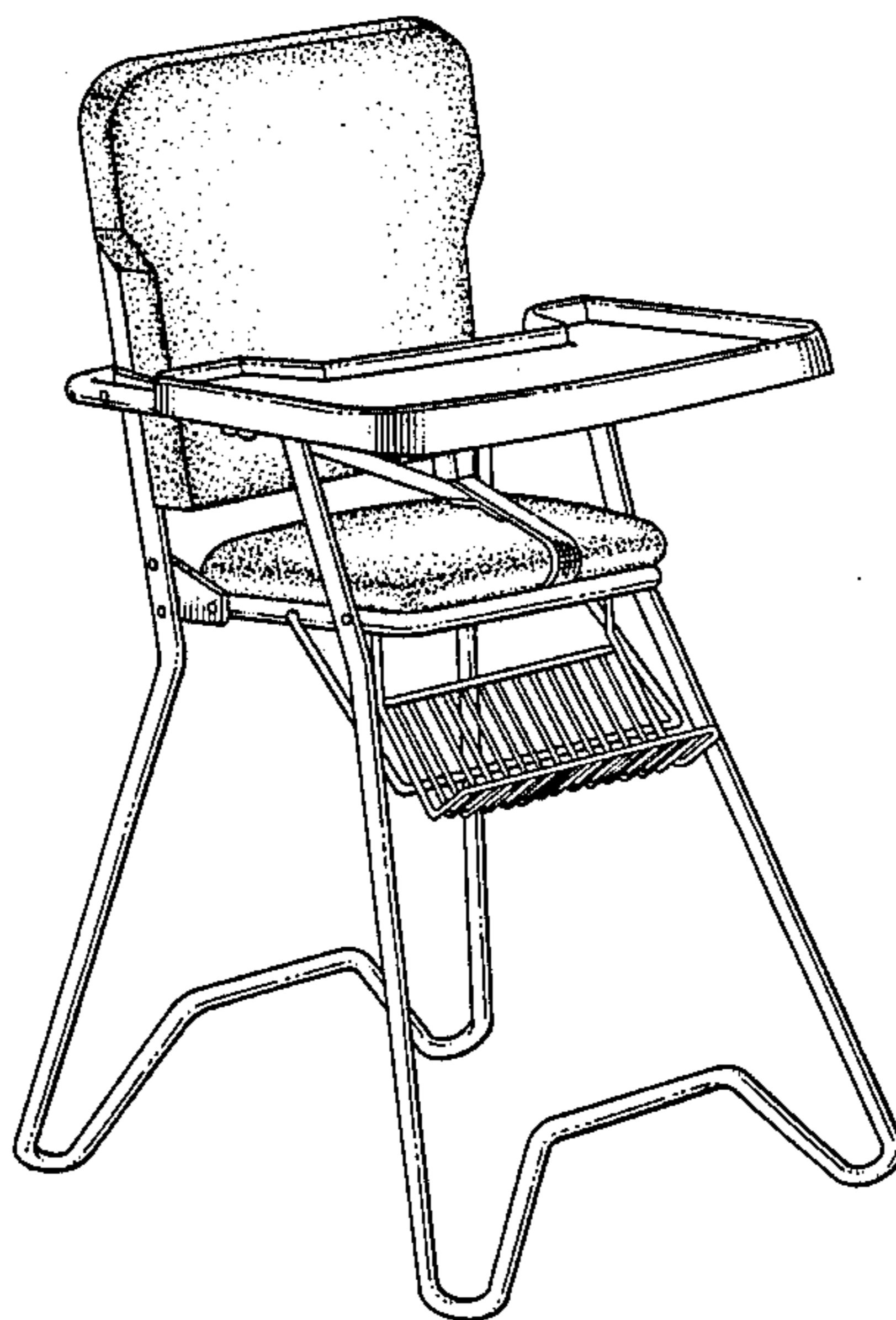
Primary Examiner—Bruce W. Dunkins
Attorney, Agent, or Firm—James E. Brunton

[57] **CLAIM**

The ornamental design for high chair, substantially as shown.

DESCRIPTION

FIG. 1 is a front perspective view of a high chair showing my design;
FIG. 2 is a top plan view;
FIG. 3 is a front elevational view;
FIG. 4 is a rear elevational view; and,
FIG. 5 is a side elevational view thereof.



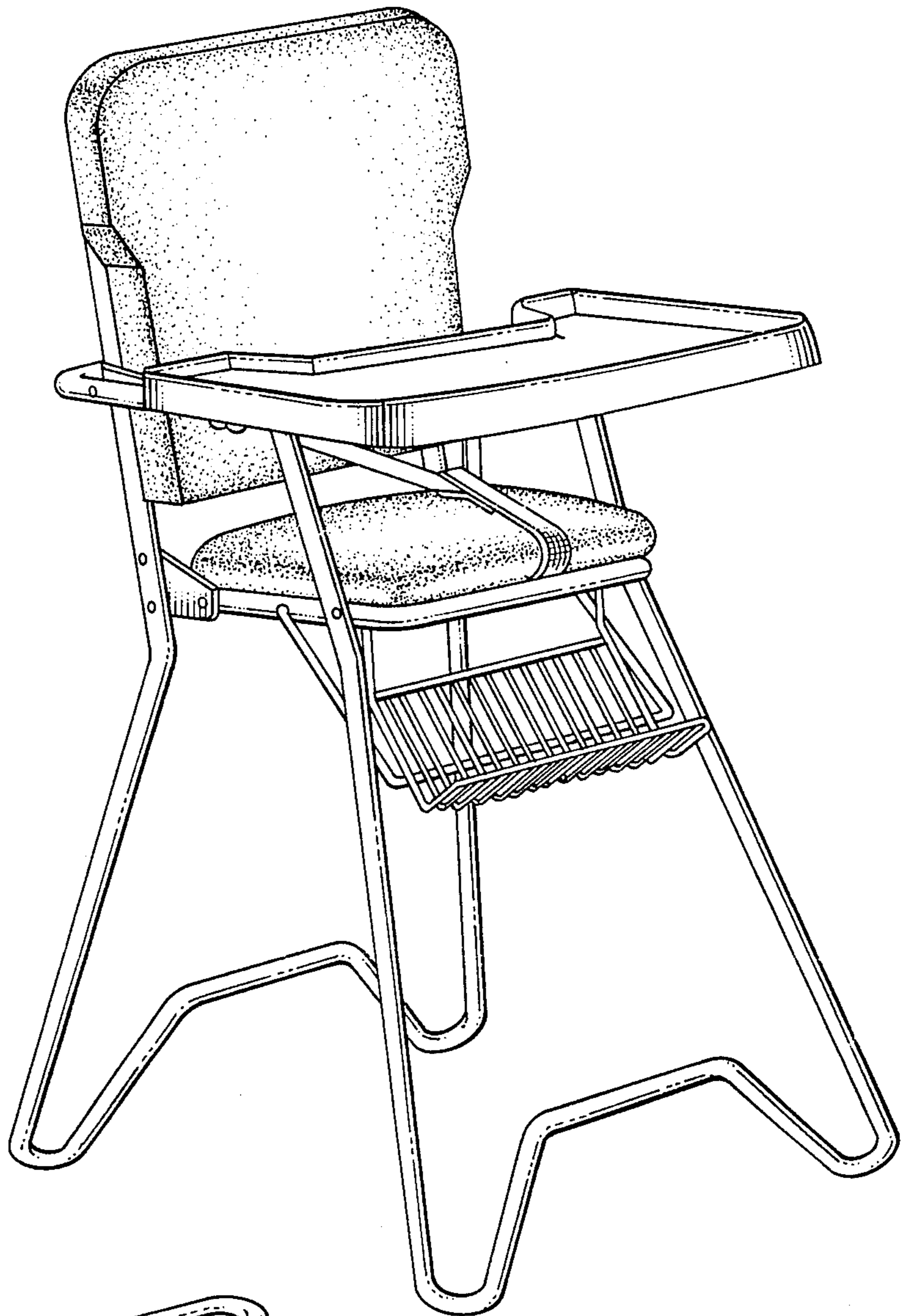


FIG. 1

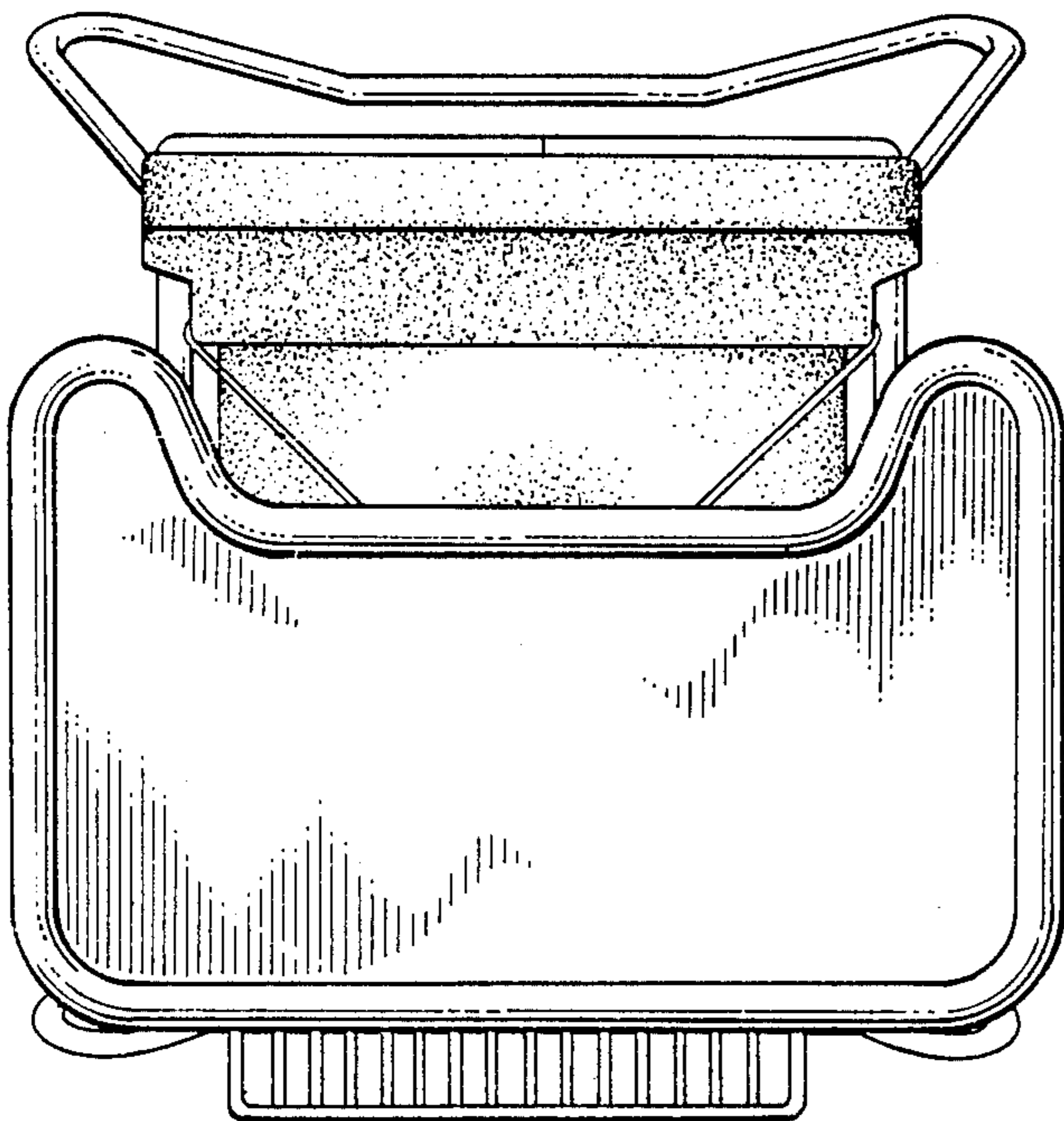


FIG. 2

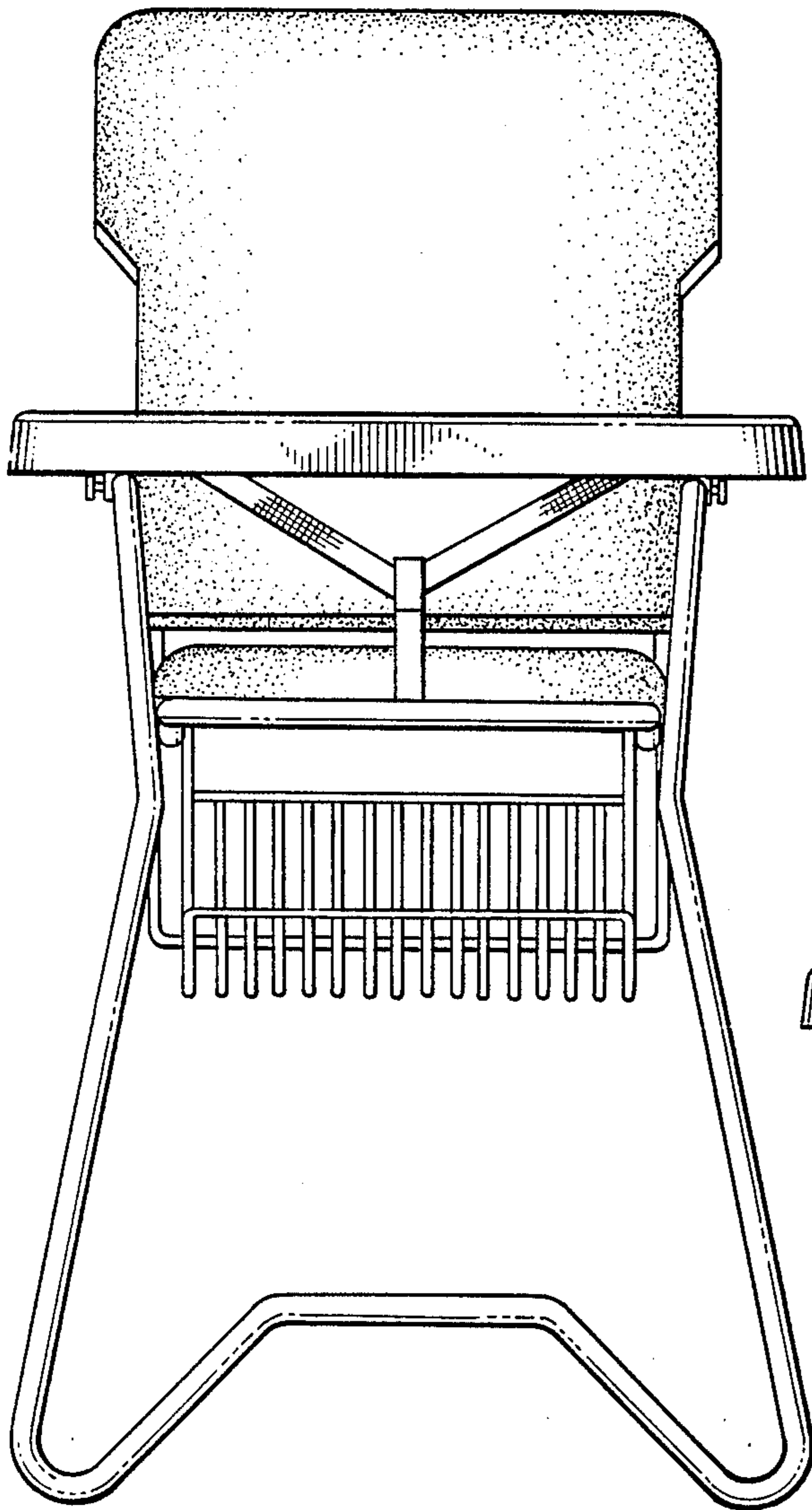
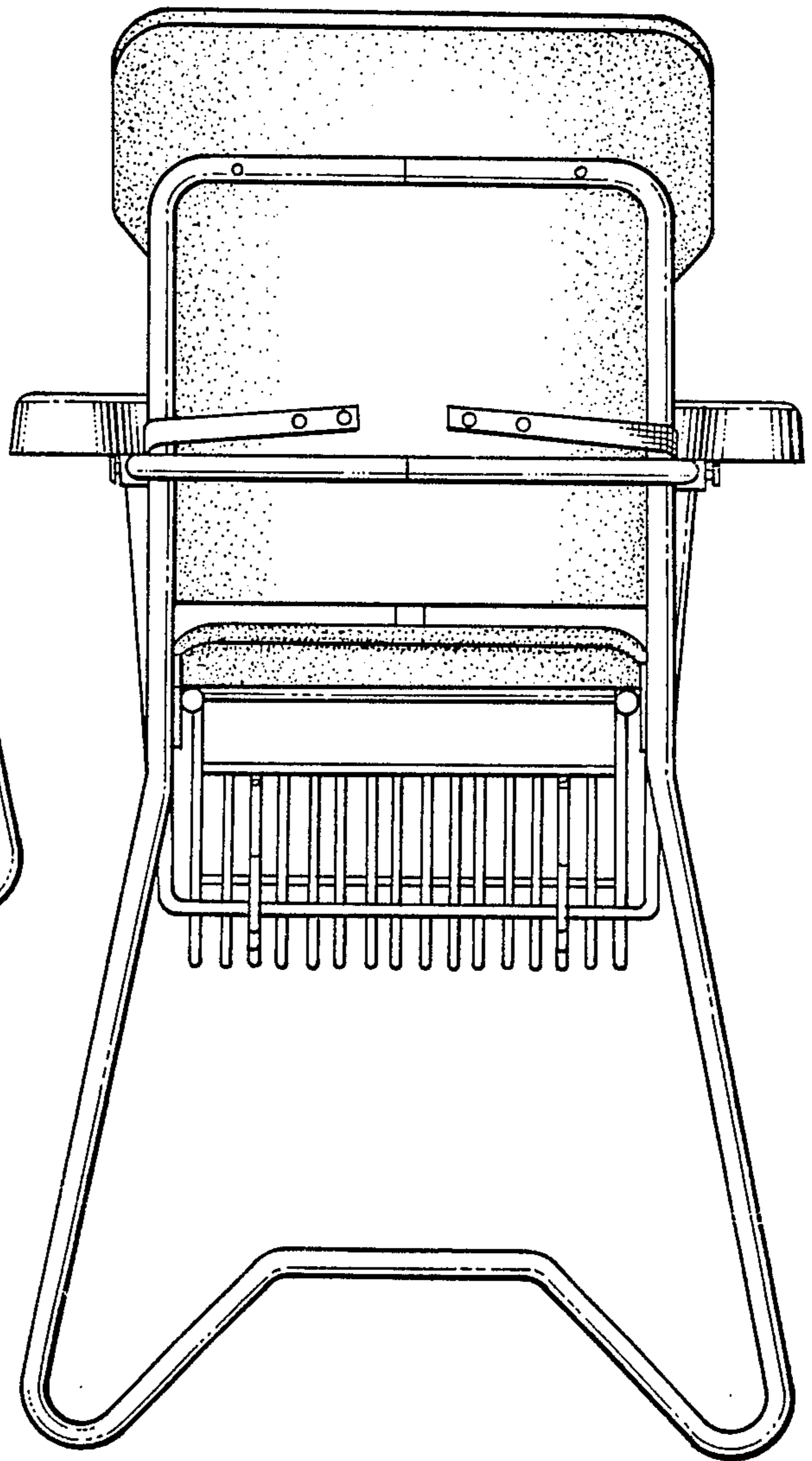


FIG. 4

FIG. 3



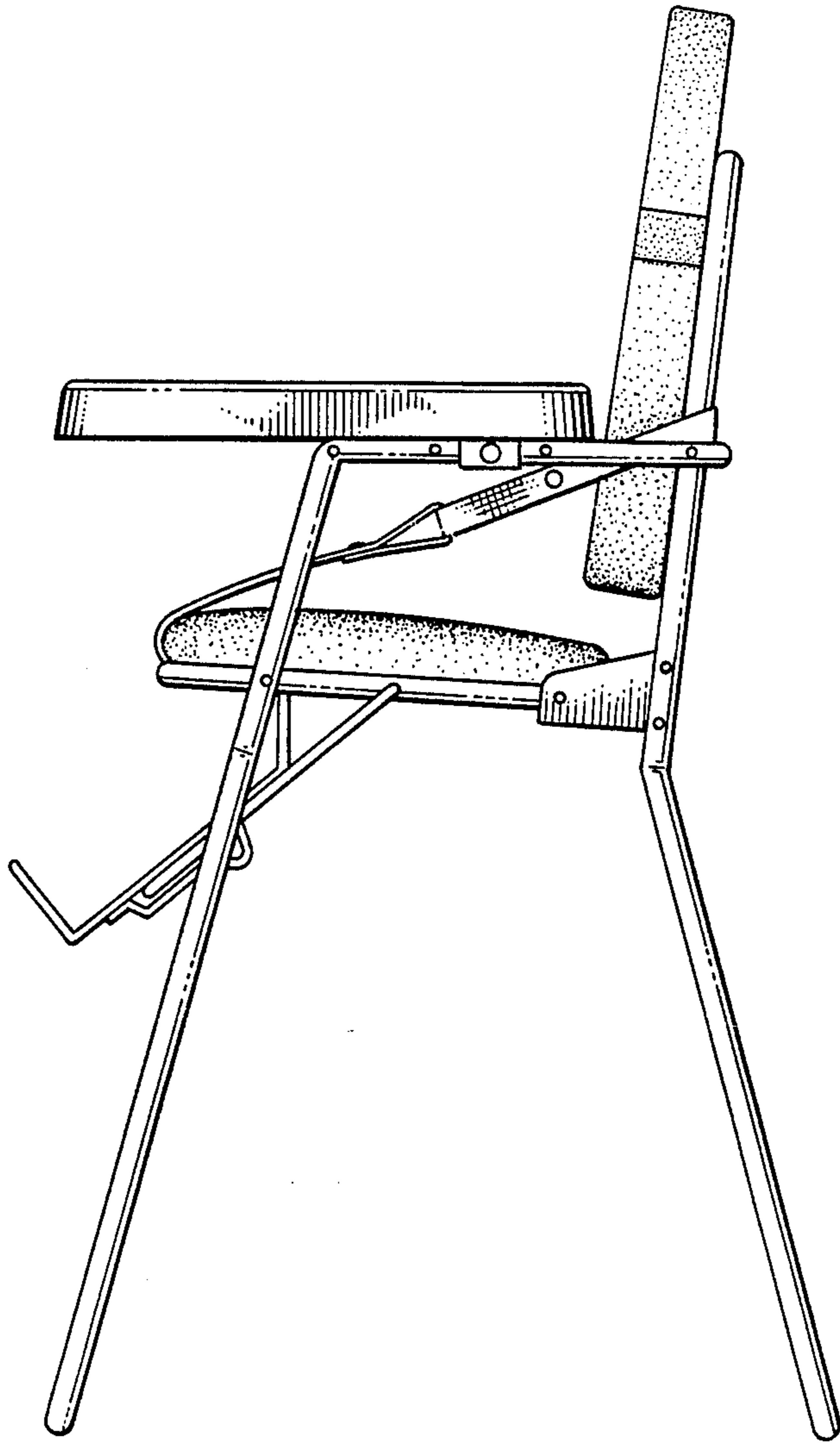


FIG. 5