

[54] PORTABLE BABY SEAT FOR USE IN A SHOPPING CART

[76] Inventor: Kathy Fetterman, 2425 Highmont Dr., Garland, Tex. 75041

[\*\*] Term: 14 Years

[21] Appl. No.: 833,769

[22] Filed: Feb. 18, 1986

[52] U.S. Cl. .... D6/333; D6/391

[58] Field of Search ..... D6/333, 382, 390, 391, D6/596; 297/229, 275, 440, 457; 5/102, 94

[56] References Cited

U.S. PATENT DOCUMENTS

D. 289,123	4/1987	Tennen	.....	D6/333 X
3,311,934	4/1967	Goldberg	.....	5/102
3,336,608	8/1967	Lerner	.....	D6/333 X
3,436,770	4/1969	Turner	.....	5/94
3,578,380	5/1971	Jacobus	.....	297/229

Primary Examiner—Bruce W. Dunkins  
Attorney, Agent, or Firm—Stanley R. Moore

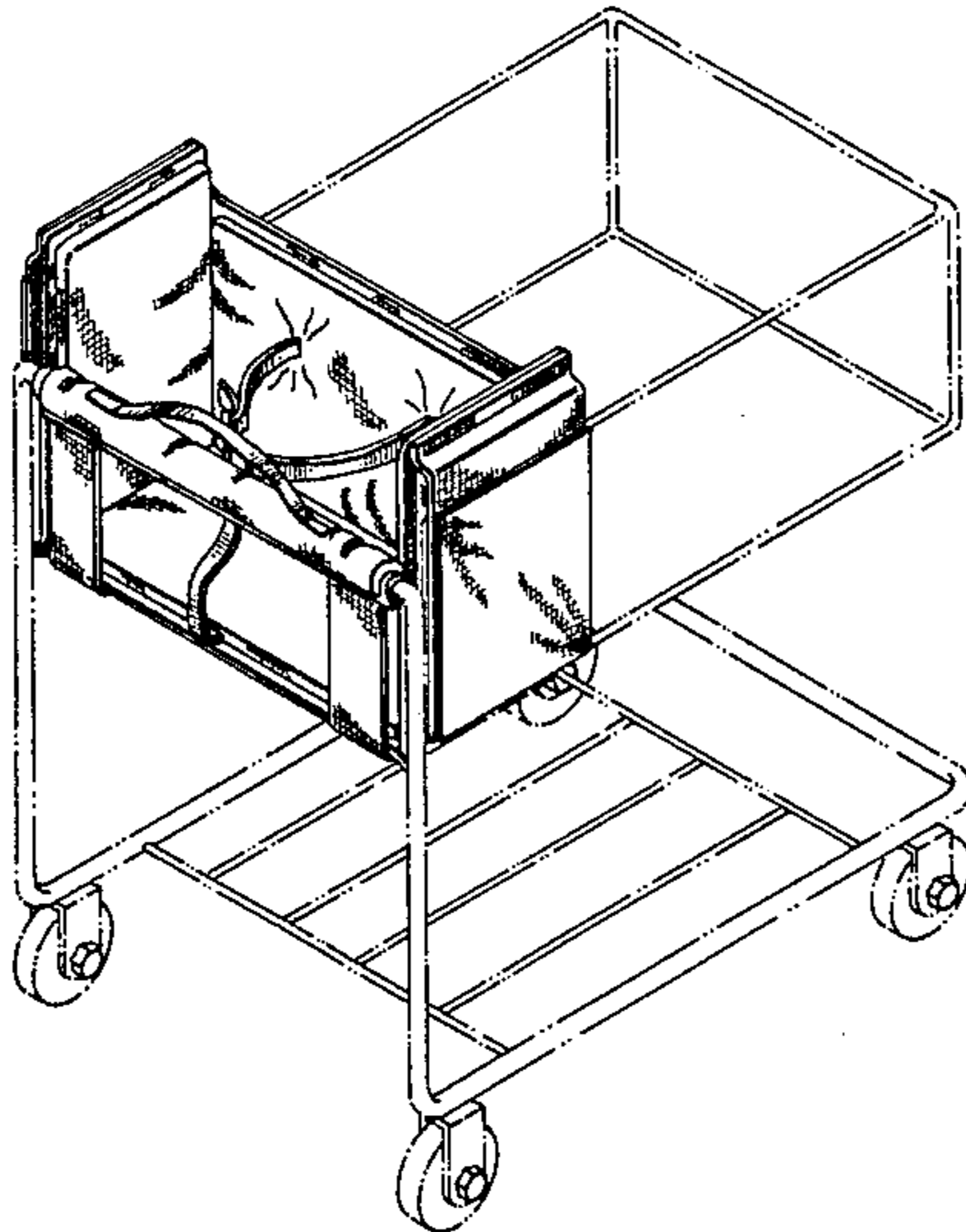
[57] CLAIM

The ornamental design for a portable baby seat for the use in a shopping cart, as shown and described.

DESCRIPTION

FIG. 1 is a perspective view of a portable baby seat for use in a shopping cart constructed in accordance with the present invention and illustrating my new design; FIG. 2 is a side elevational view of the shopping cart baby seat of FIG. 1, taken from the left side thereof; FIG. 3 is a side elevational view of the shopping cart baby seat of FIG. 1, taken from the right side thereof; FIG. 4 is a rear elevational view of the shopping cart baby seat of FIG. 1; FIG. 5 is a top plan view of the shopping cart baby seat of FIG. 1; FIG. 6 is a bottom plan view of the shopping cart baby seat of FIG. 1; and FIG. 7 is a top plan, unfolded view of the shopping cart baby seat of FIG. 1.

The shopping cart depicted by dotted lines in FIG. 1 has been shown for illustrative purposes only.



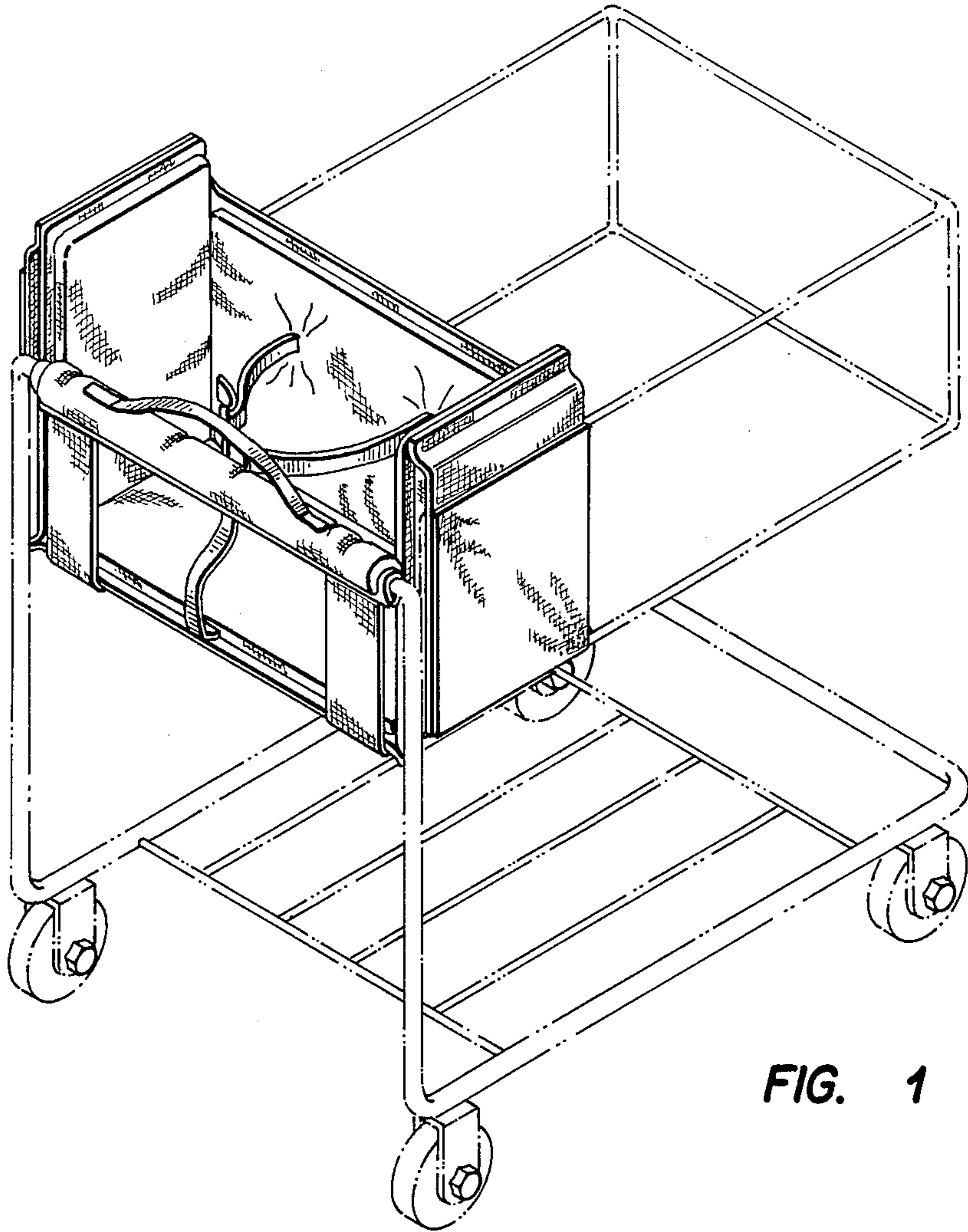


FIG. 1

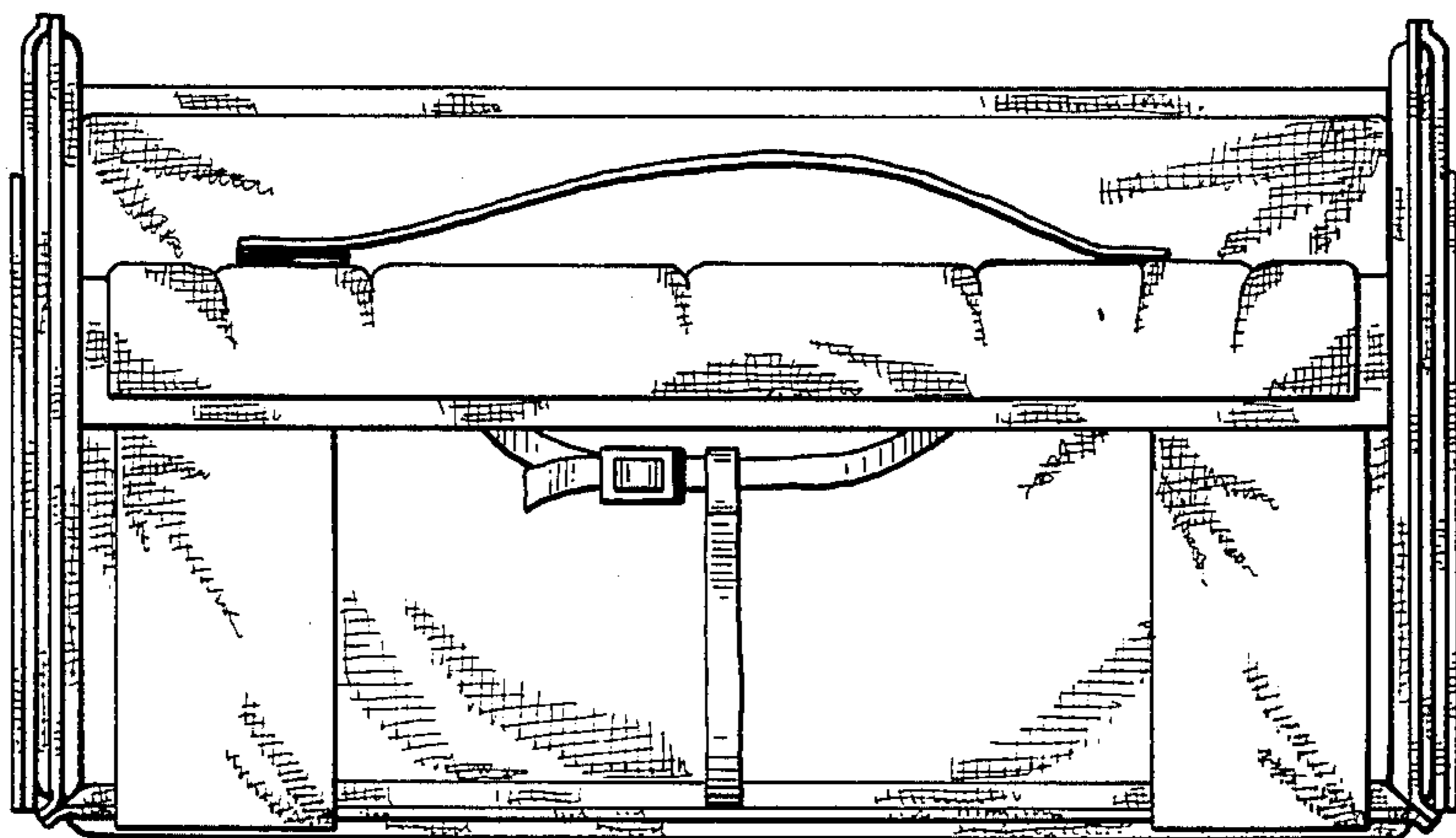


FIG. 2

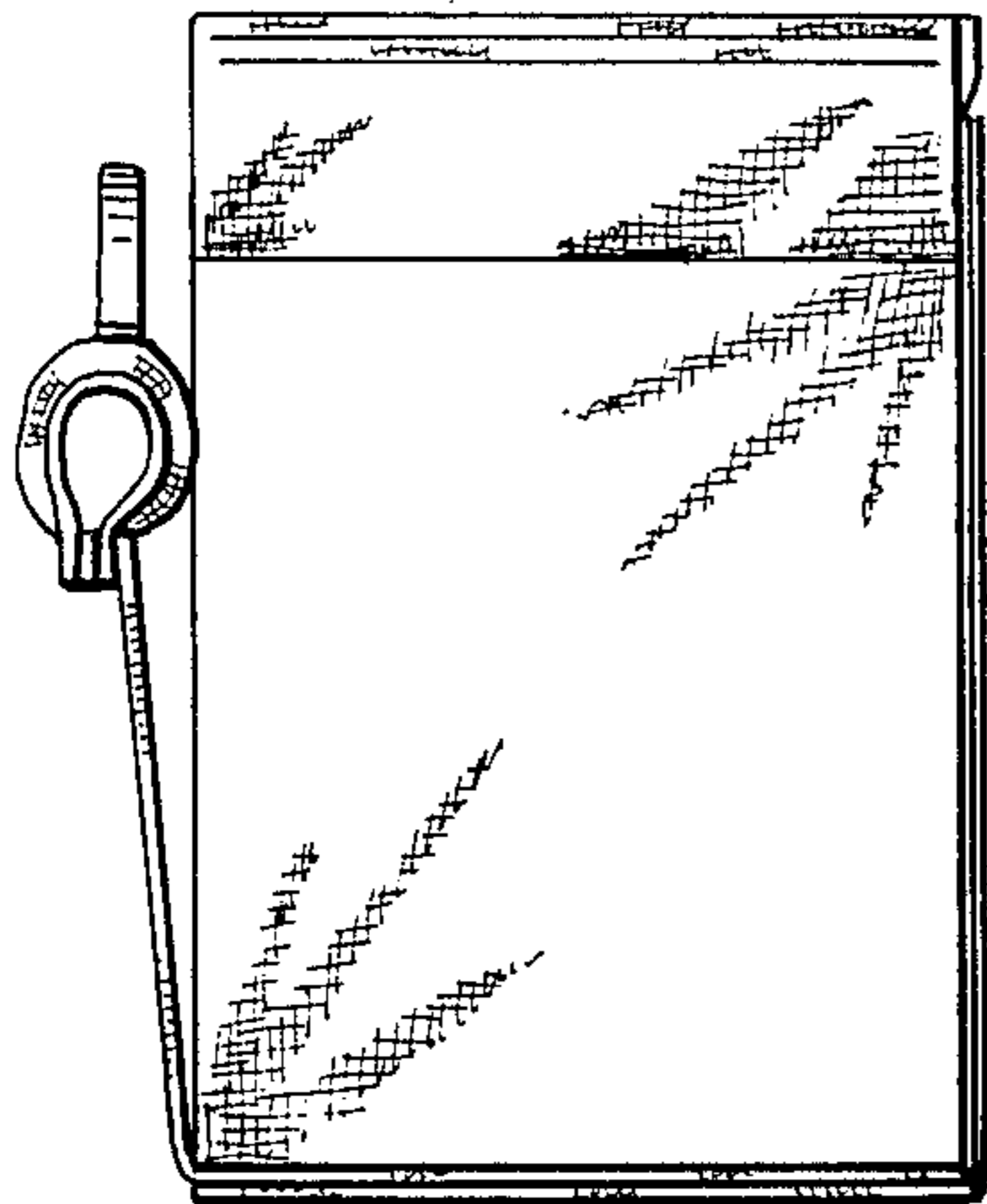


FIG. 3

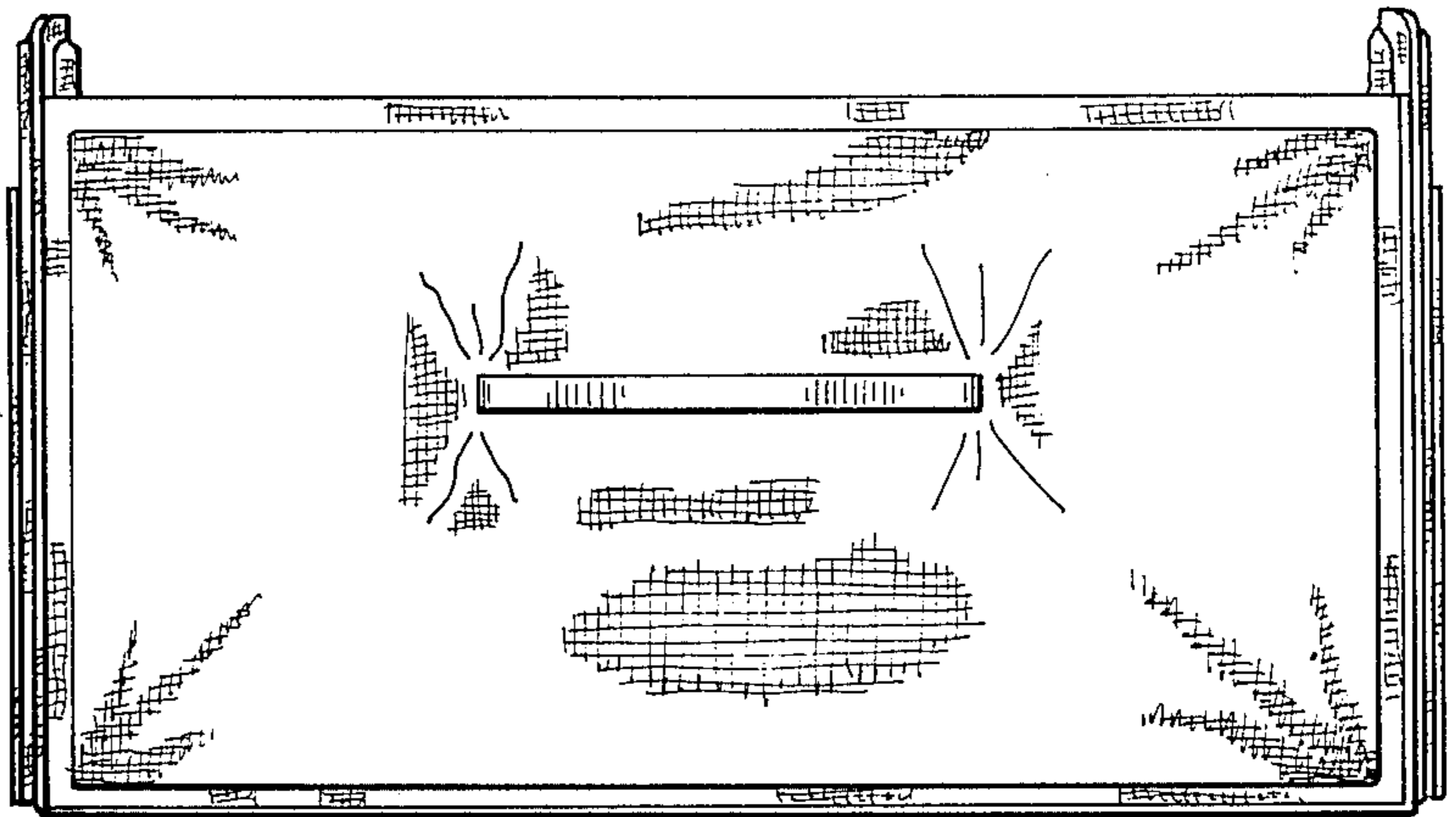


FIG. 4

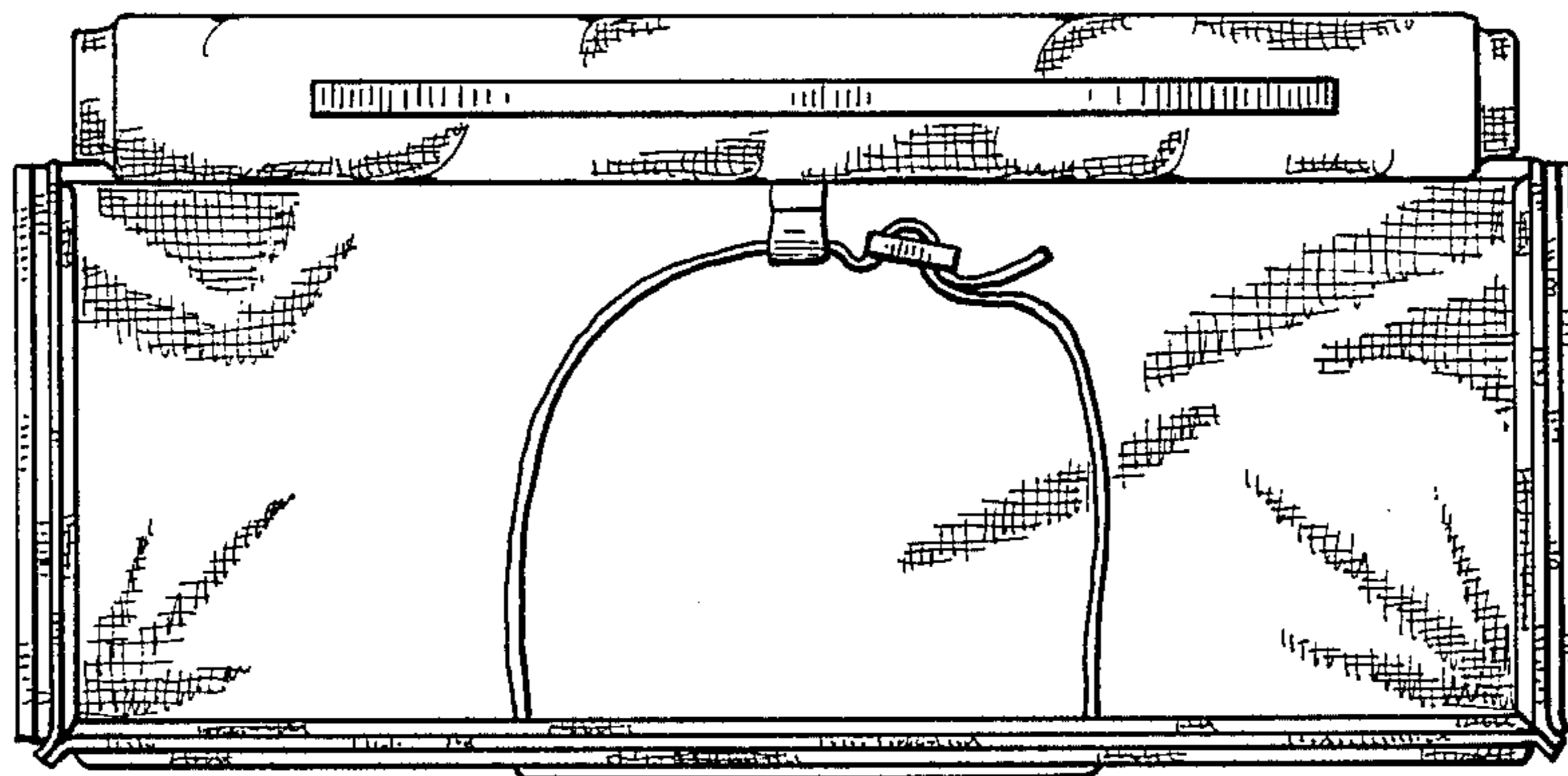


FIG. 5

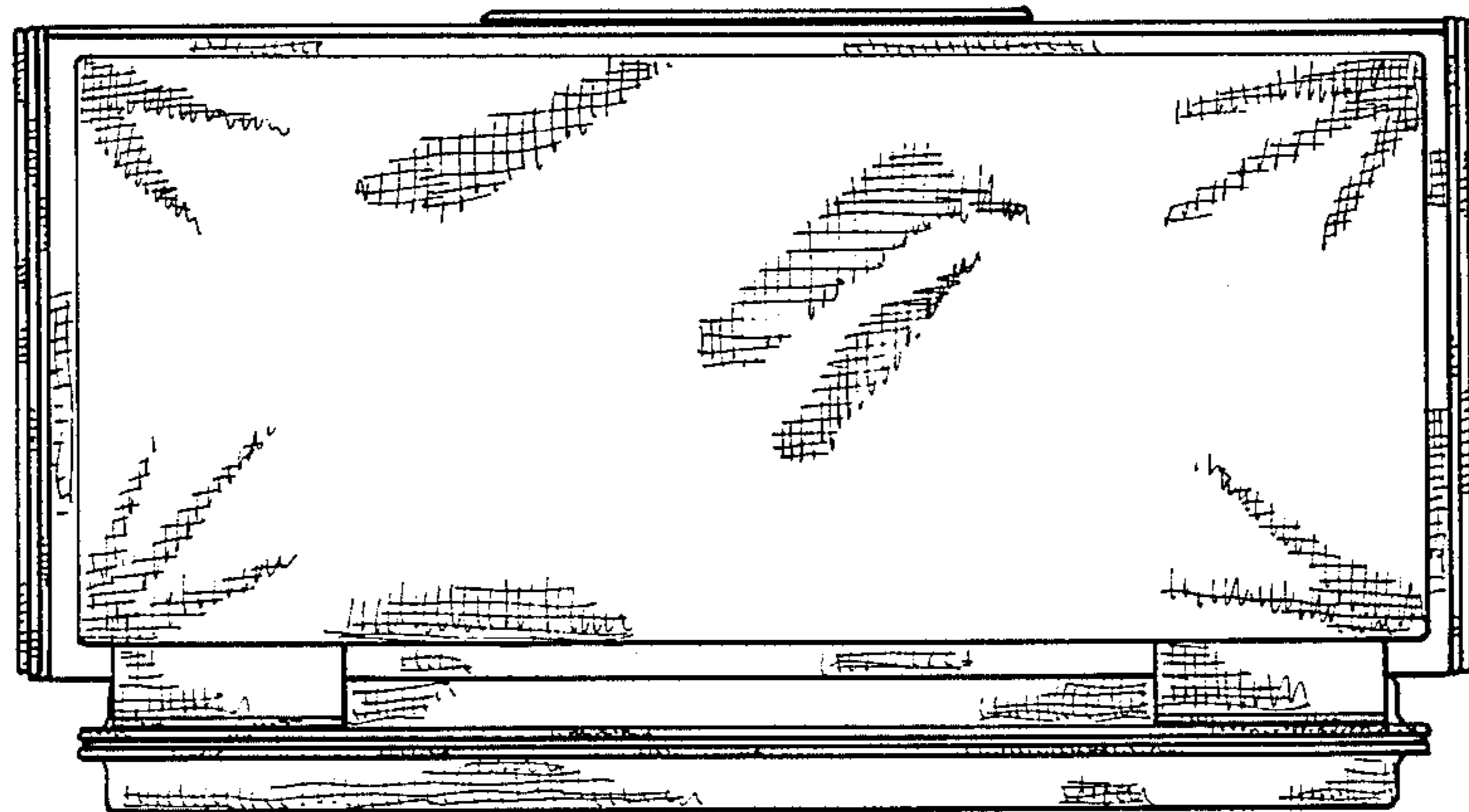


FIG. 6

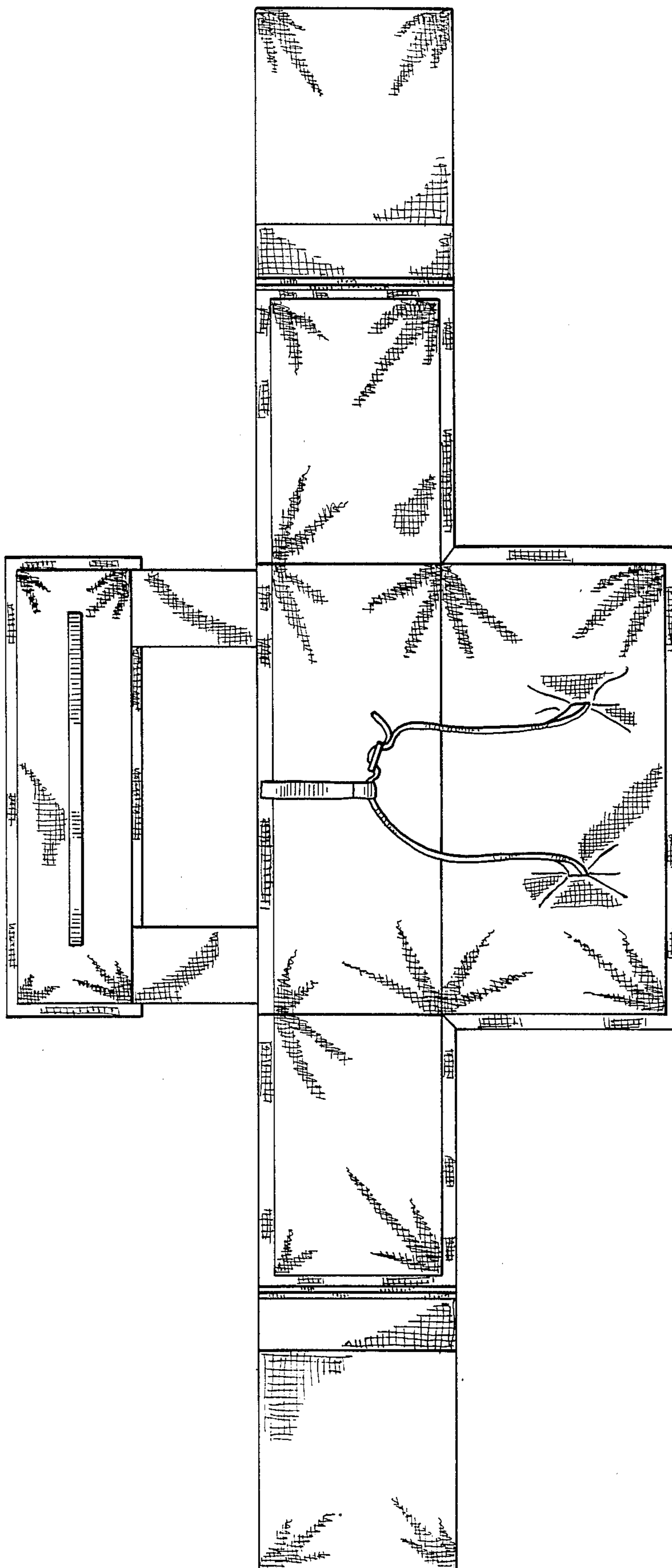


FIG. 7