

[54] COMBINED CIGARETTE AND LIGHTER HOLDER, BEVERAGE HOLDER AND TRAY FOR AN AUTOMOBILE DASH

D. 259,396 7/1950 Schulz D27/20
D. 263,784 4/1982 Butler et al. D27/10 X
2,640,595 6/1953 Byford D3/40 X
2,683,460 7/1954 Rice D27/27 X

[75] Inventor: Marc R. Iacovelli, Miami, Fla.

Primary Examiner—Catherine E. Kemper
Attorney, Agent, or Firm—Gilbert L. Wells

[73] Assignee: Rally Manufacturing, Inc., Miami, Fla.

[57] CLAIM

[**] Term: 14 Years

The ornamental design for a combined cigarette and lighter holder, beverage holder and tray for an automobile dash, as shown and described.

[21] Appl. No.: 864,214

DESCRIPTION

[22] Filed: May 19, 1986
[52] U.S. Cl. D3/40; D27/14; D27/15; D27/20; D27/21; D27/29

FIG. 1 is a right front perspective view of a combined cigarette and lighter holder, beverage holder and tray for an automobile dash, showing my new design and shown in the closed position;

[58] Field of Search D3/40; D27/8-29; 131/231, 235.1, 240.1, 241, 242

FIG. 2 is a right front perspective view thereof with the beverage holder popped up;

[56] References Cited

U.S. PATENT DOCUMENTS

D. 118,158 12/1939 Keuls D27/21
D. 168,480 12/1952 Schaefer D3/40
D. 182,310 3/1958 Sherwood D27/15 X
D. 198,538 6/1964 Stricklin D3/40
D. 204,999 6/1966 Edwards D3/40
D. 243,142 1/1977 Chinela D27/21 X

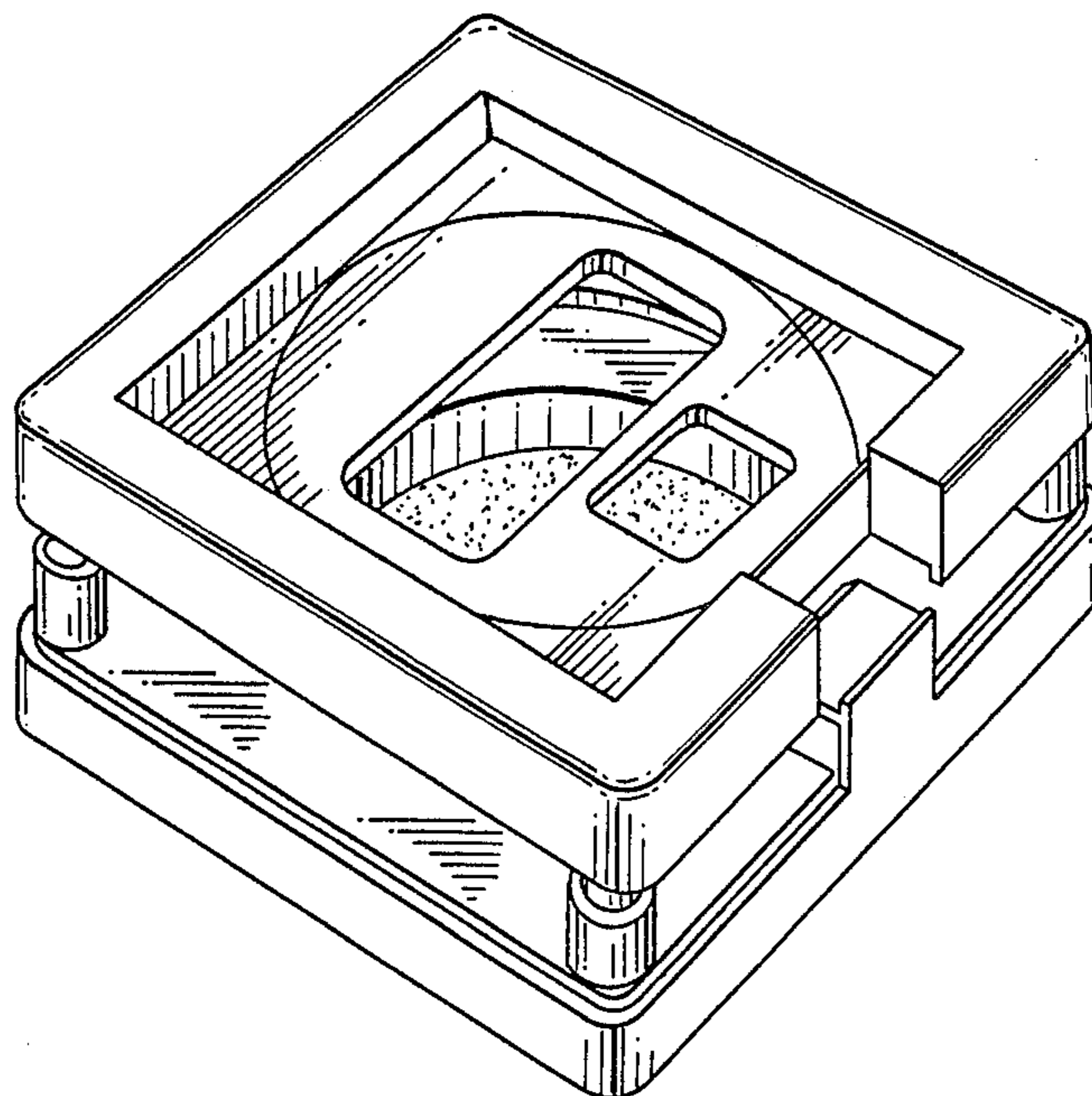
FIG. 3 is a top view of FIG. 1;

FIG. 4 is a front view of FIG. 1;

FIG. 5 is a right side view of FIG. 1;

FIG. 6 is a bottom view of FIG. 1; and

FIG. 7 is a right front perspective view of FIG. 3 with the cigarette and lighter holder in place and the holder in popped up position.



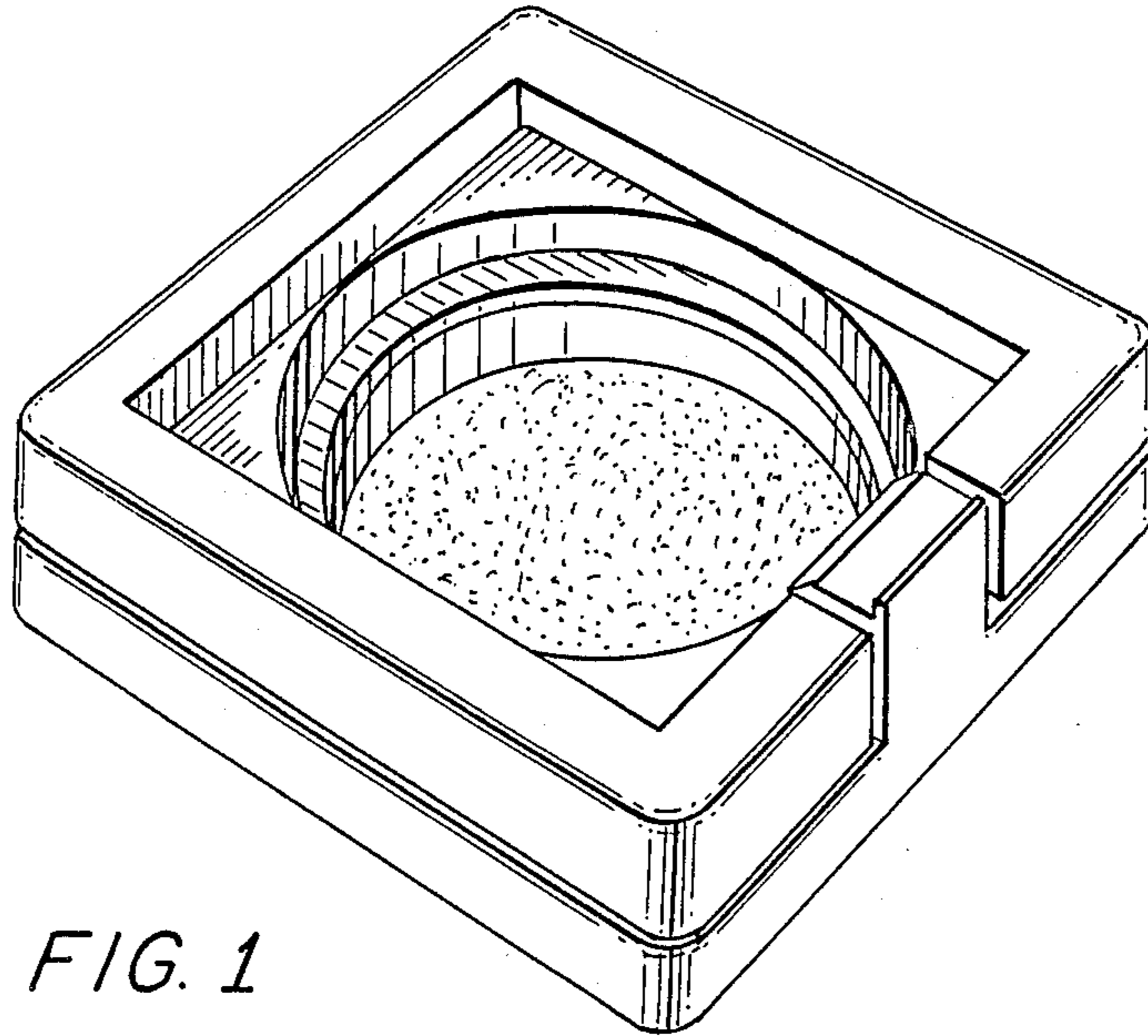


FIG. 1

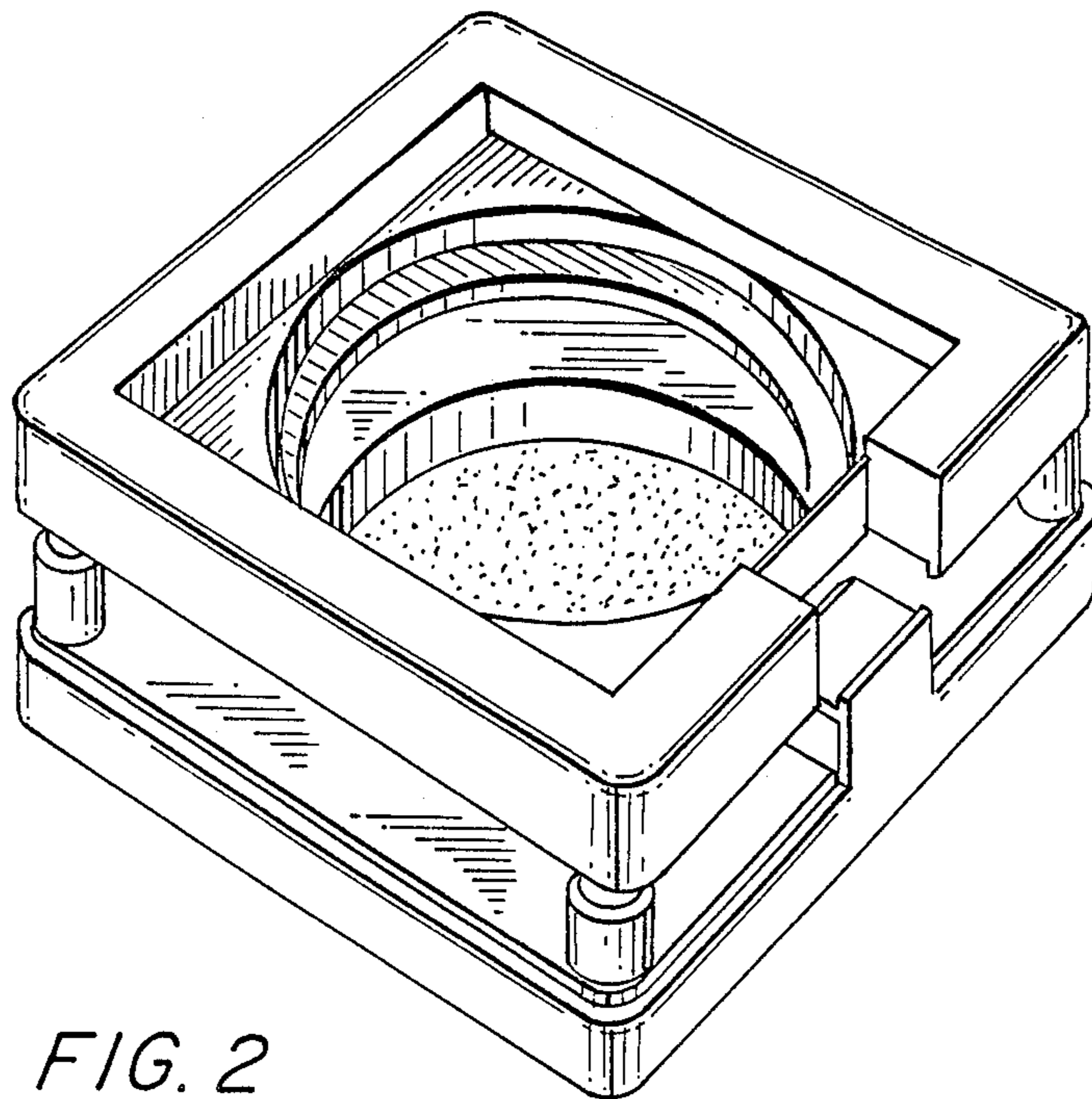


FIG. 2

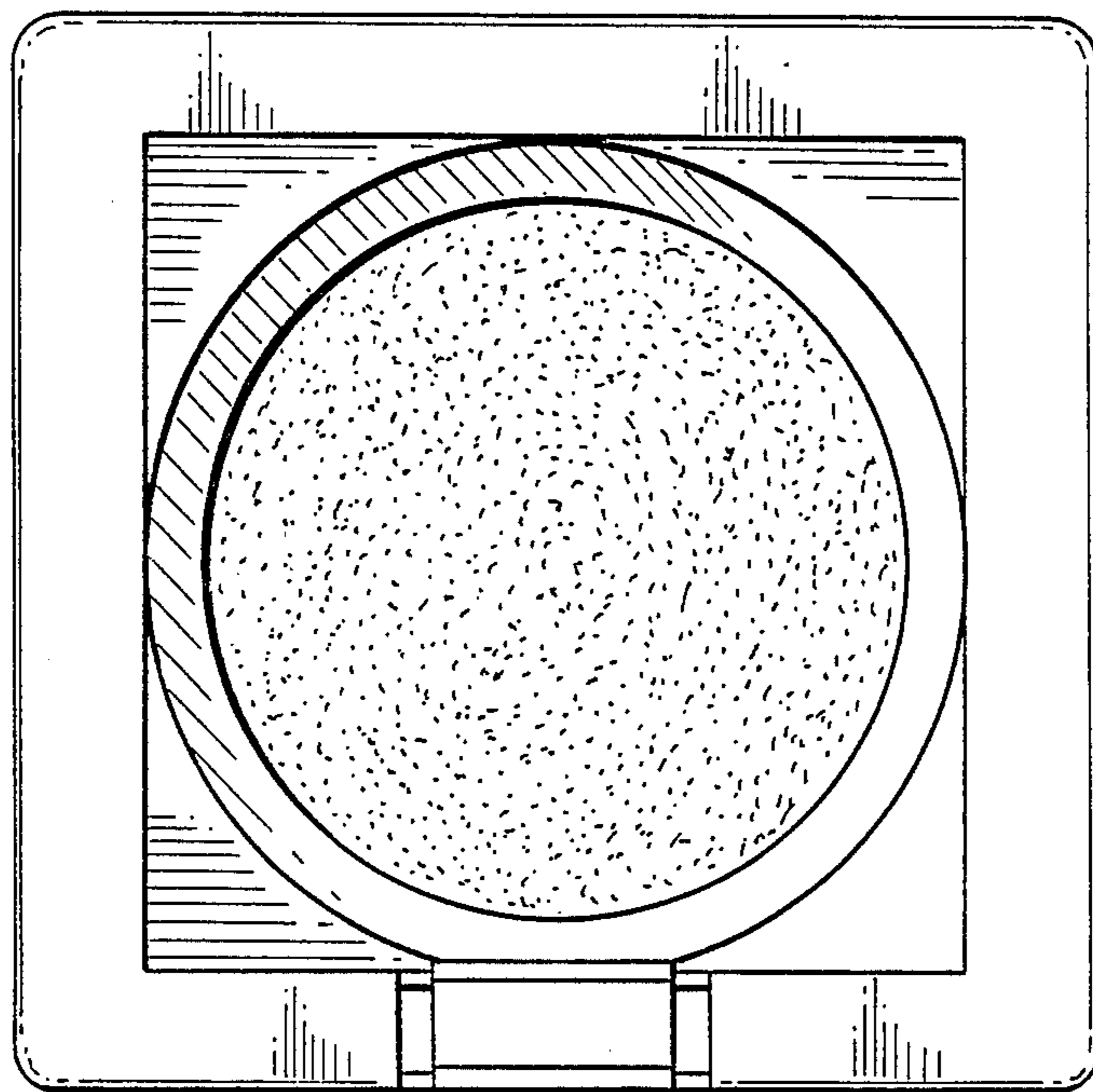


FIG. 3

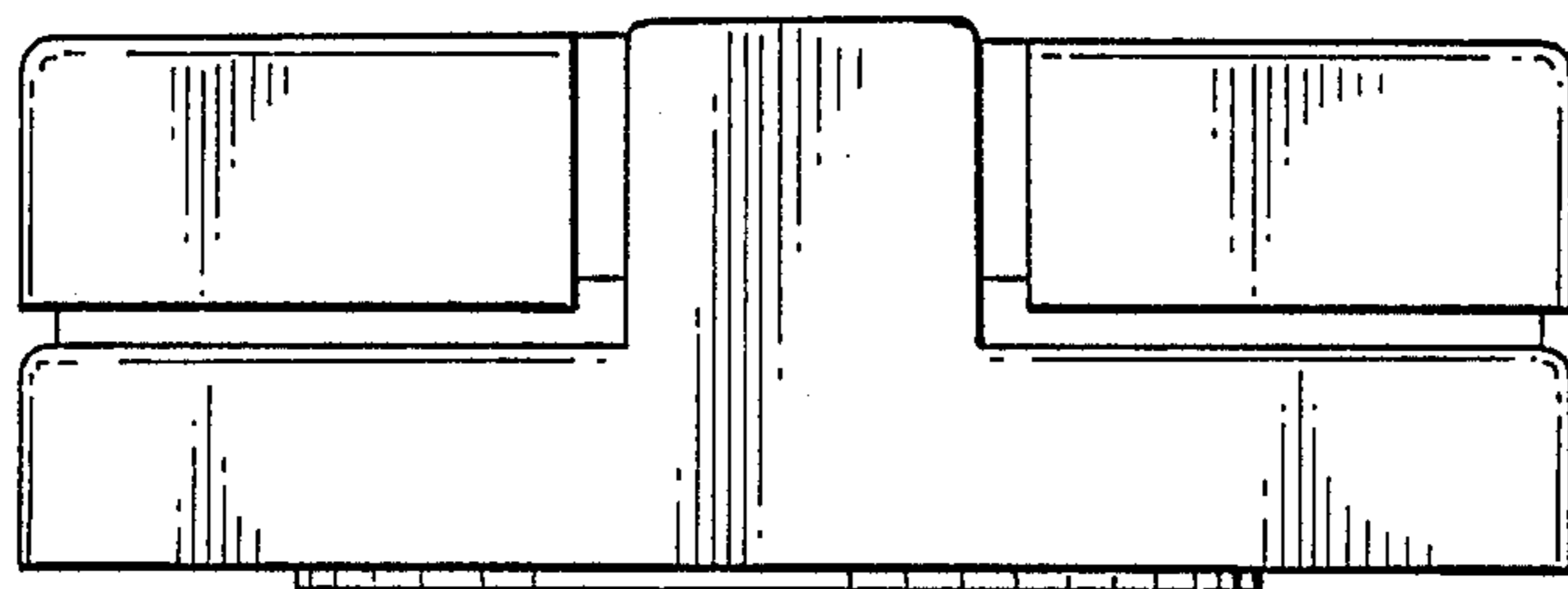


FIG. 4

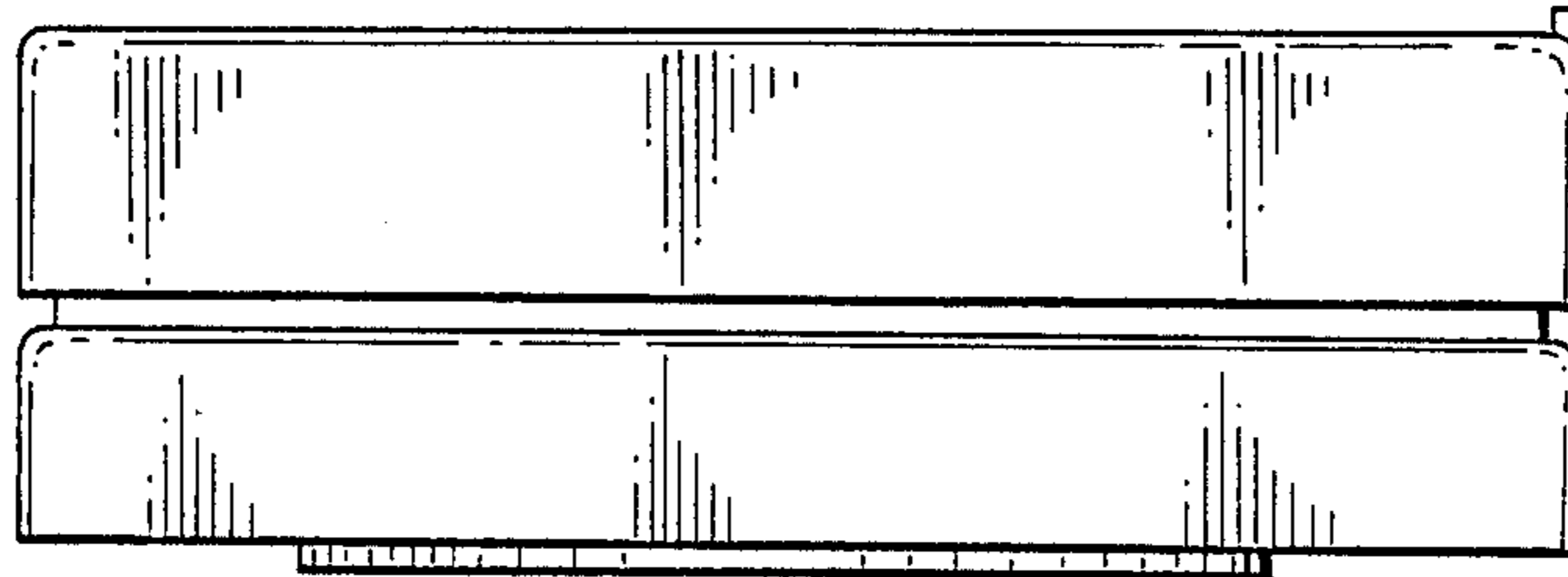


FIG. 5

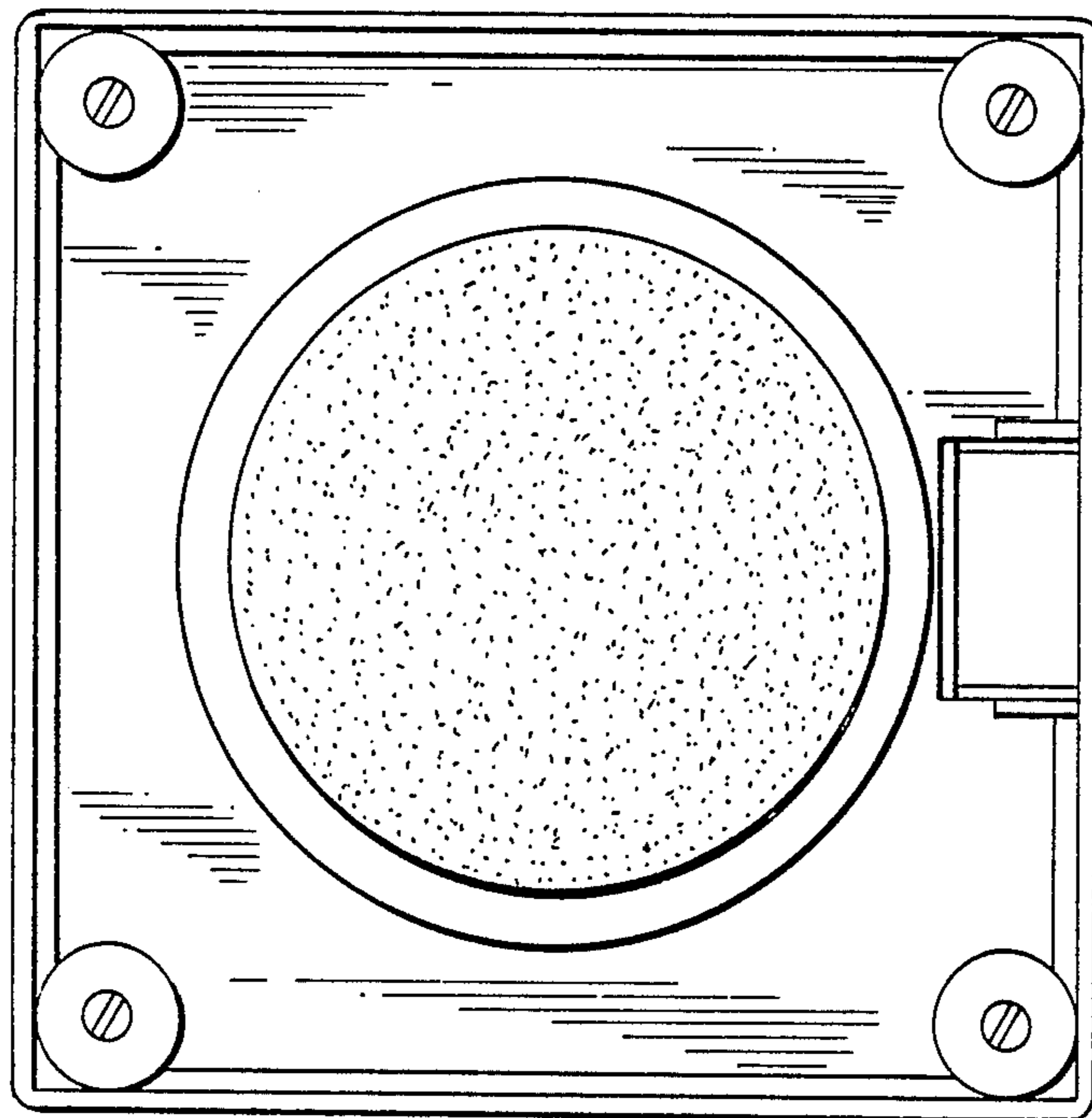


FIG. 6

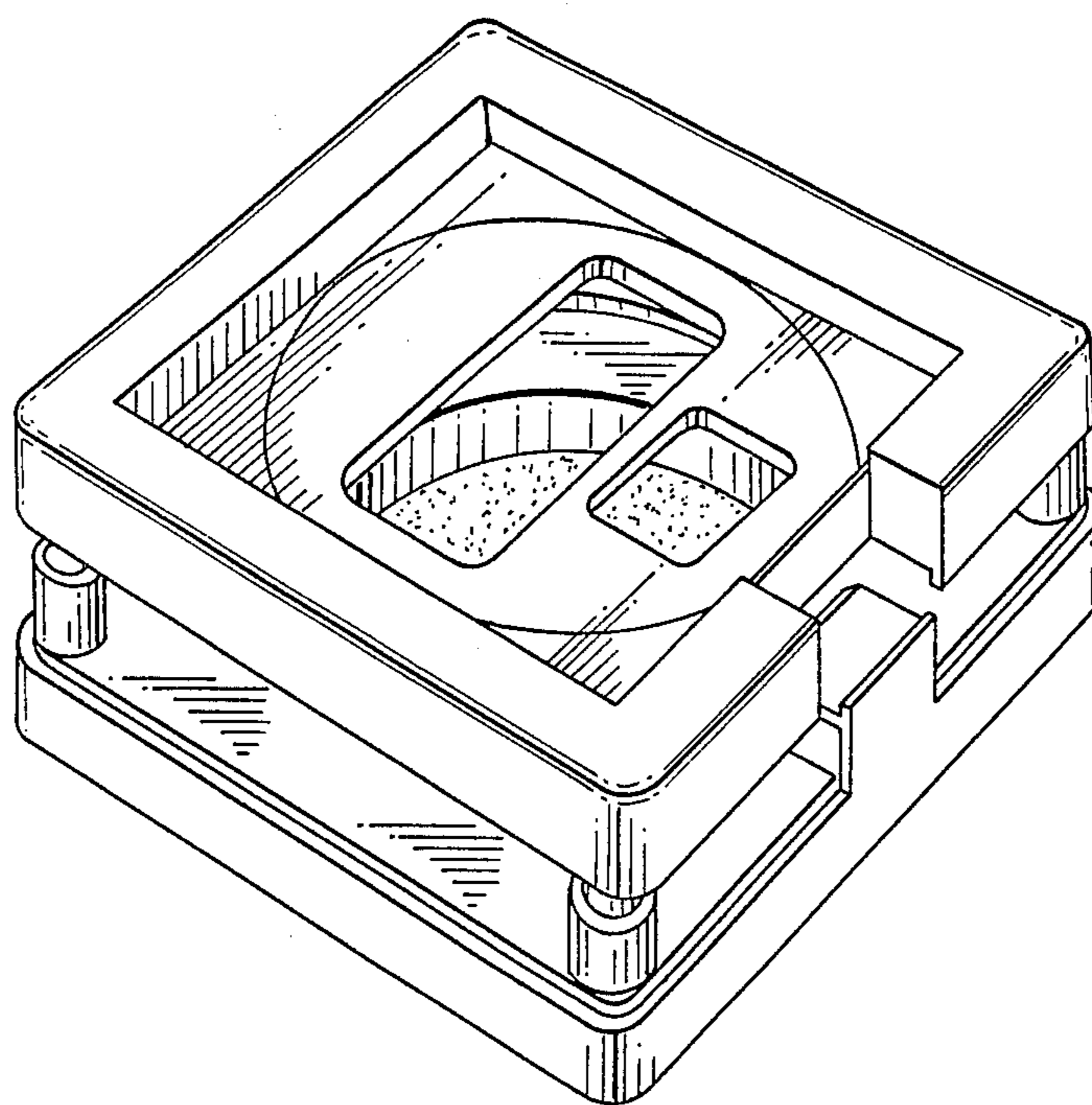


FIG. 7

UNITED STATES PATENT AND TRADEMARK OFFICE

Certificate

Patent No. D. 296,725

Patented: July 19, 1988

On petition requesting issuance of a certificate for correction of inventorship pursuant to 35 U.S.C. 256, it has been found that the above-identified patent, through error and without any deceptive intent, improperly sets forth the inventorship. Accordingly, it is hereby certified that the correct inventorship of this patent is:

Pierre Charet and Duke Kraai

Signed and Sealed This 2nd Day of January 1990.

WALLACE R. BURKE

*Supervisory Patent Examiner
Art Unit 291*