

[54] **PACKAGE FOR SMOKING IMPLEMENTS**

[75] **Inventor: Seizi Takanashi, Tokyo, Japan**

[73] **Assignee: C. S. Kogyo Company, Ltd., Tokyo, Japan**

[**] **Term: 14 Years**

[21] **Appl. No.: 743,451**

[22] **Filed: Jun. 11, 1985**

[52] **U.S. Cl. D27/47**

[58] **Field of Search D27/43-50;
229/3 CP; 206/242, 245, 248, 256-259,
264-275**

[56] **References Cited**

U.S. PATENT DOCUMENTS

D. 142,451 9/1945 Toklas D27/47
D. 163,865 7/1951 Griffith D27/48

Primary Examiner—Catherine E. Kemper
Attorney, Agent, or Firm—Armstrong, Nikaido,
Marmelstein & Kubovcik

[57] **CLAIM**

The ornamental design for a package for smoking implements, as shown and described.

DESCRIPTION

FIG. 1 is a front perspective view of a package for smoking implements, showing my new design;
FIG. 2 is a rear perspective view thereof;
FIG. 3 is a front elevational view thereof;
FIG. 4 is a cross sectional view taken along line 4—4 of FIG. 3;
FIG. 5 is an exploded perspective view thereof.

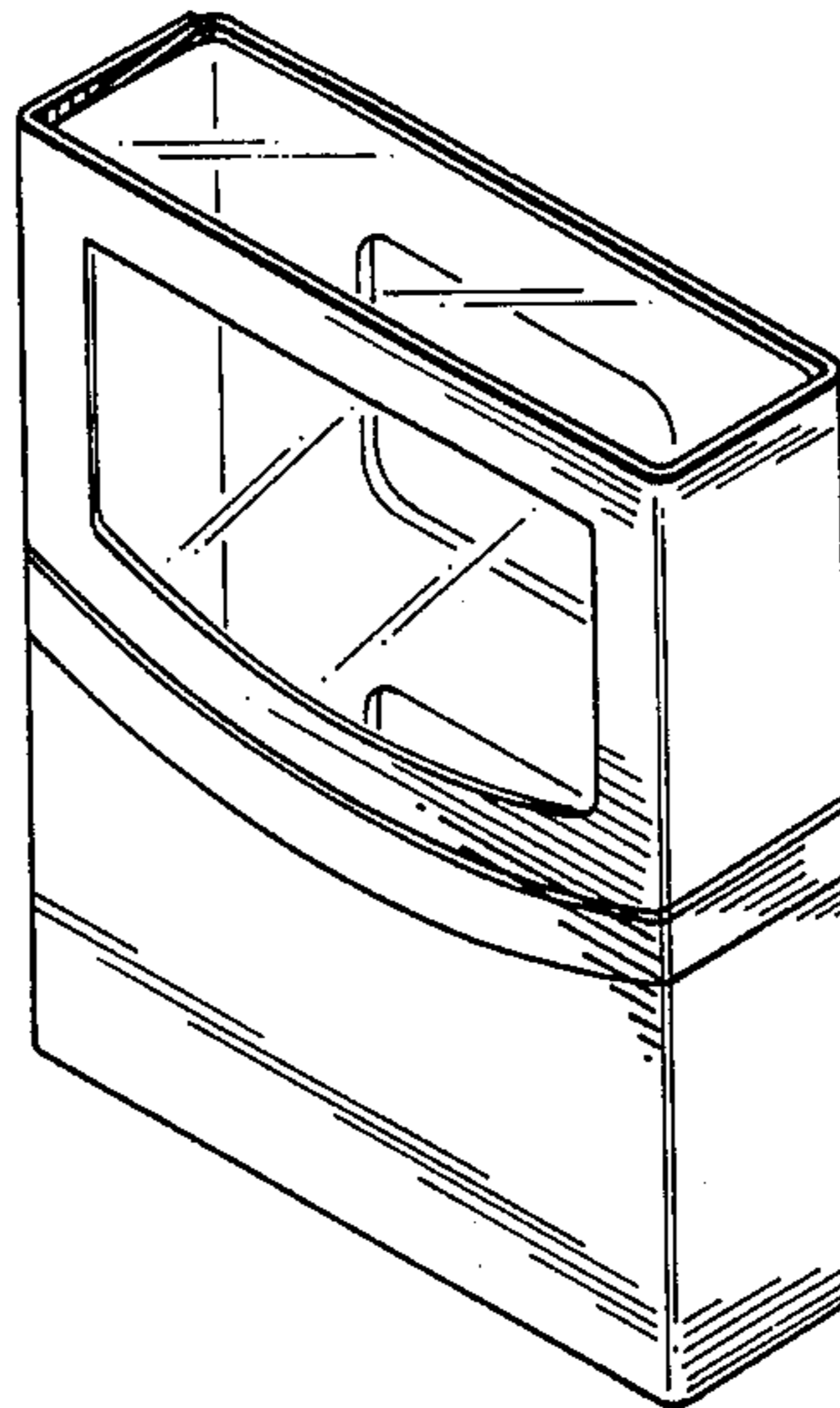


FIG. 1

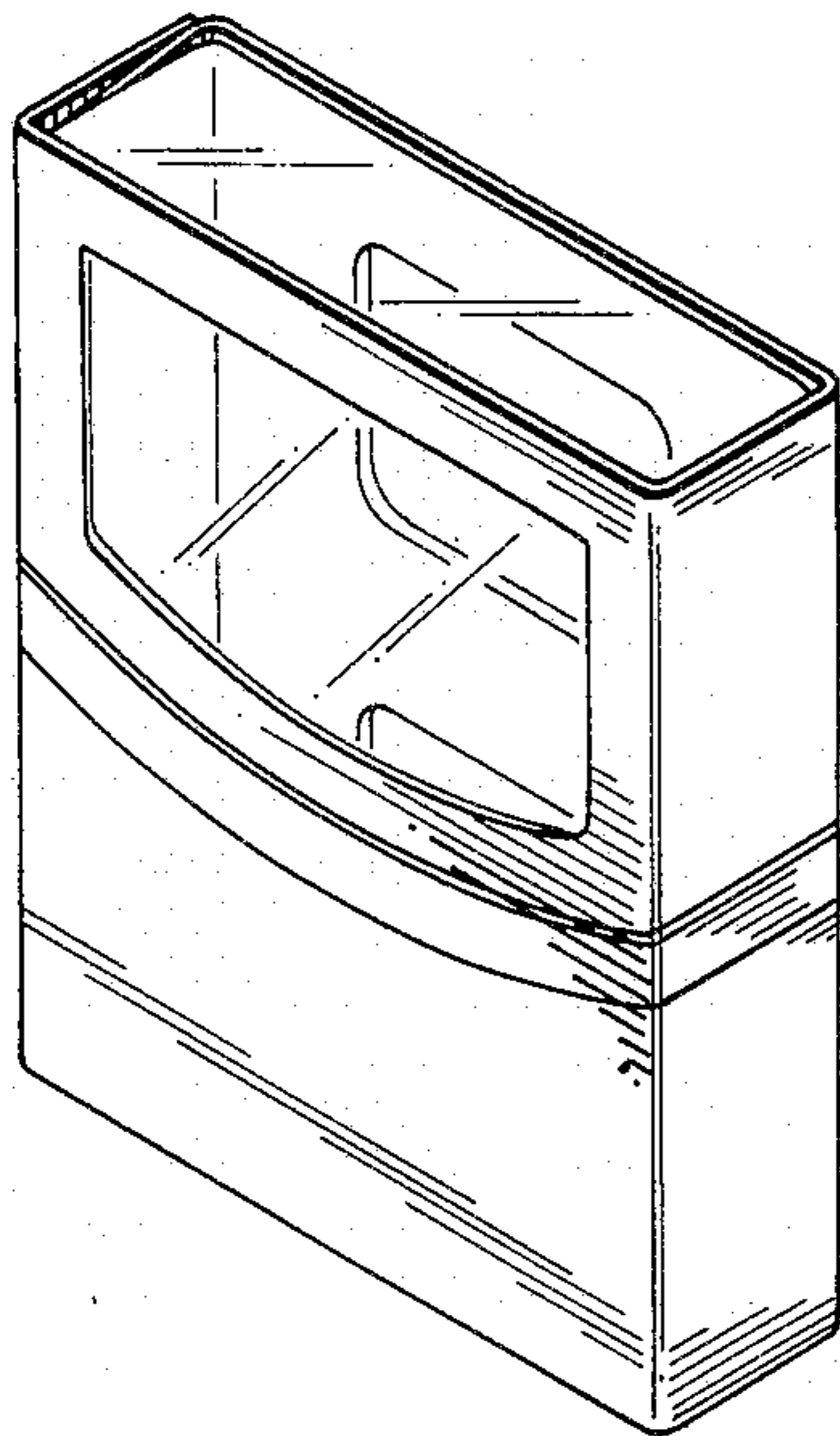


FIG. 2

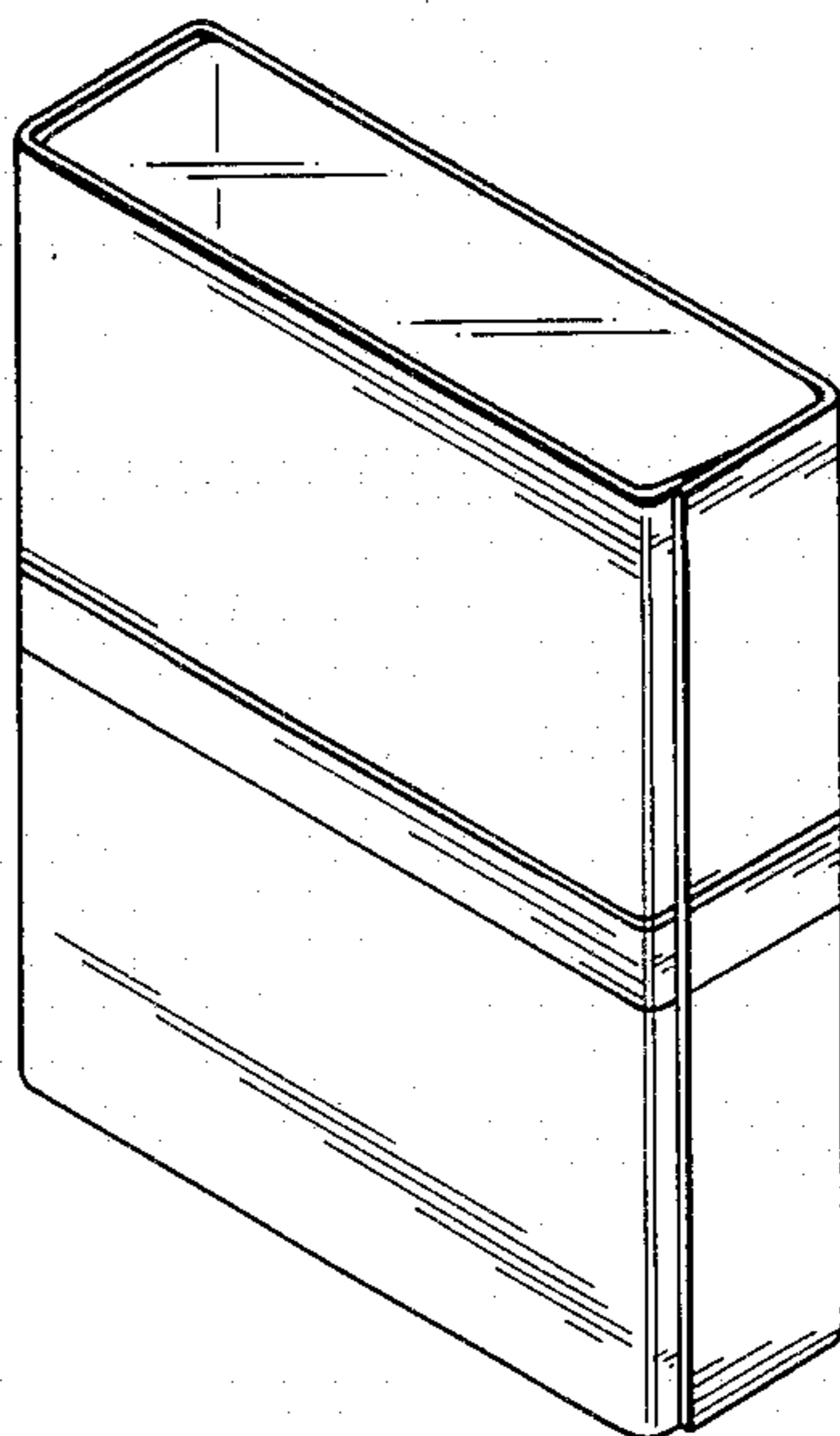


FIG. 3

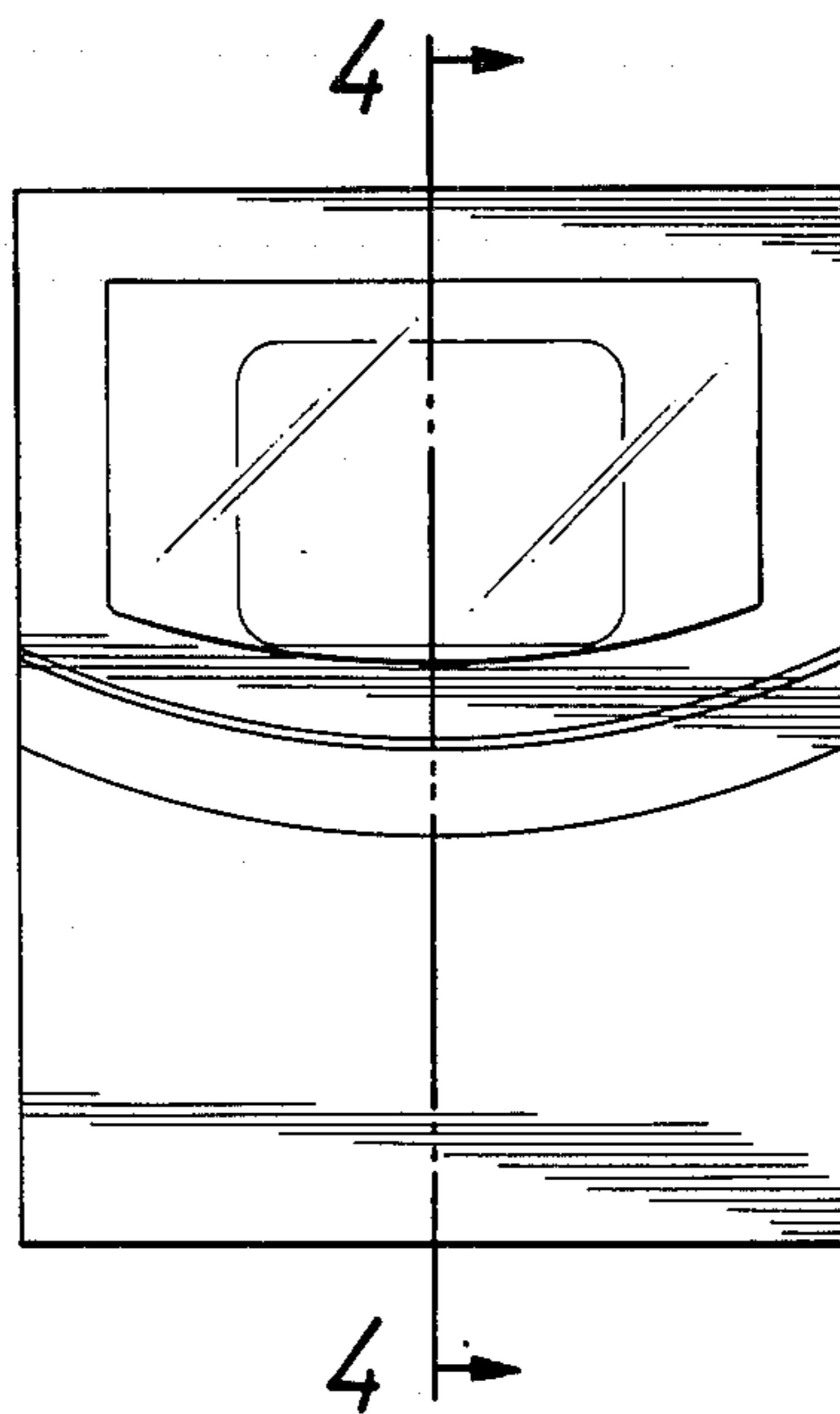


FIG. 5

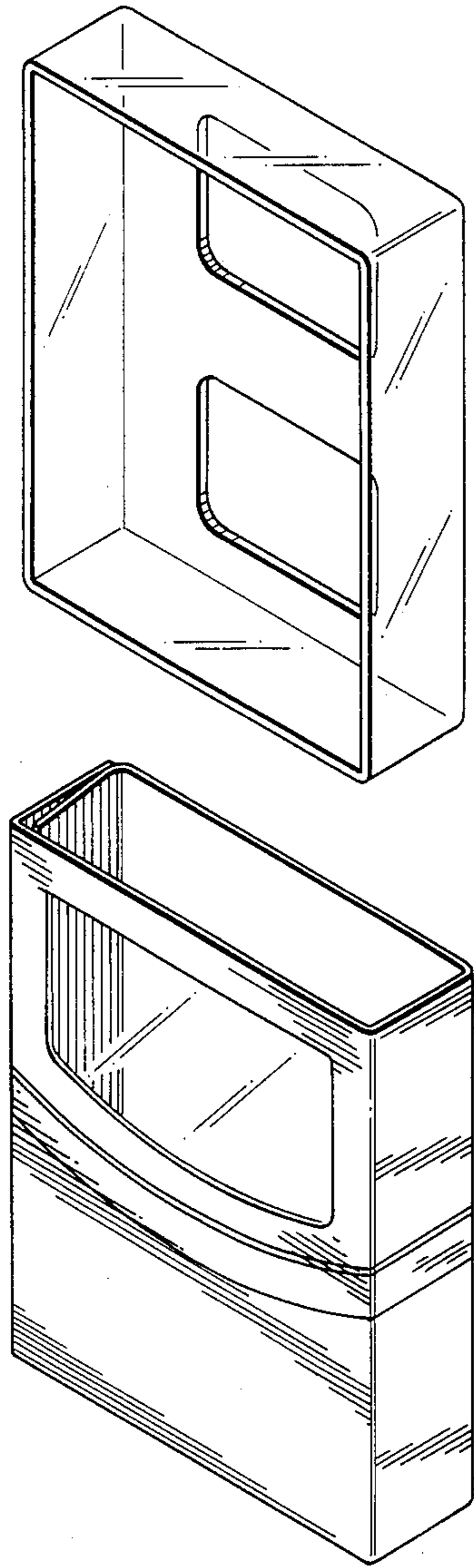


FIG. 4

