

[54] ADJUSTABLE SPOTLIGHT

[75] Inventors: Kenneth Kane, Southport, Conn.; Thomas P. Keefe, Stony Point, N.Y.

[73] Assignee: Lighting Services, Inc., New York, N.Y.

[**] Term: 14 Years

[21] Appl. No.: 891,486

[22] Filed: Aug. 1, 1986

[52] U.S. Cl. D26/63

[58] Field of Search D26/24, 61-66; 362/269, 275, 285, 291, 310, 311, 362, 413, 418, 427

[56] References Cited

U.S. PATENT DOCUMENTS

D. 234,710	4/1975	Beeren	D26/63
D. 254,575	3/1980	Strignano	D26/64
D. 270,483	9/1983	Gardner	D26/63
4,258,413	3/1981	Mausser	362/269 X

OTHER PUBLICATIONS

Home Lighting & Accessories, 8-1979, p. 39, TrakLighting, Inc., Geosquare Tracklight.

Primary Examiner—Susan J. Lucas
Attorney, Agent, or Firm—Henry R. Lerner

[57] CLAIM

The ornamental design for an adjustable spotlight, substantially as shown and described.

DESCRIPTION

FIG. 1 is a bottom, front and left side perspective view of an adjustable spotlight showing our new design; FIG. 2 is a front elevational view thereof; FIG. 3 is a right hand side elevational view thereof; FIG. 4 is a top plan view thereof; FIG. 5 is a rear elevational view thereof; FIG. 6 is a bottom plan view thereof; FIG. 7 is a right side elevational view thereof with the spotlight in an alternative position; FIG. 8 is a right side elevational view thereof with the spotlight in an alternative position.

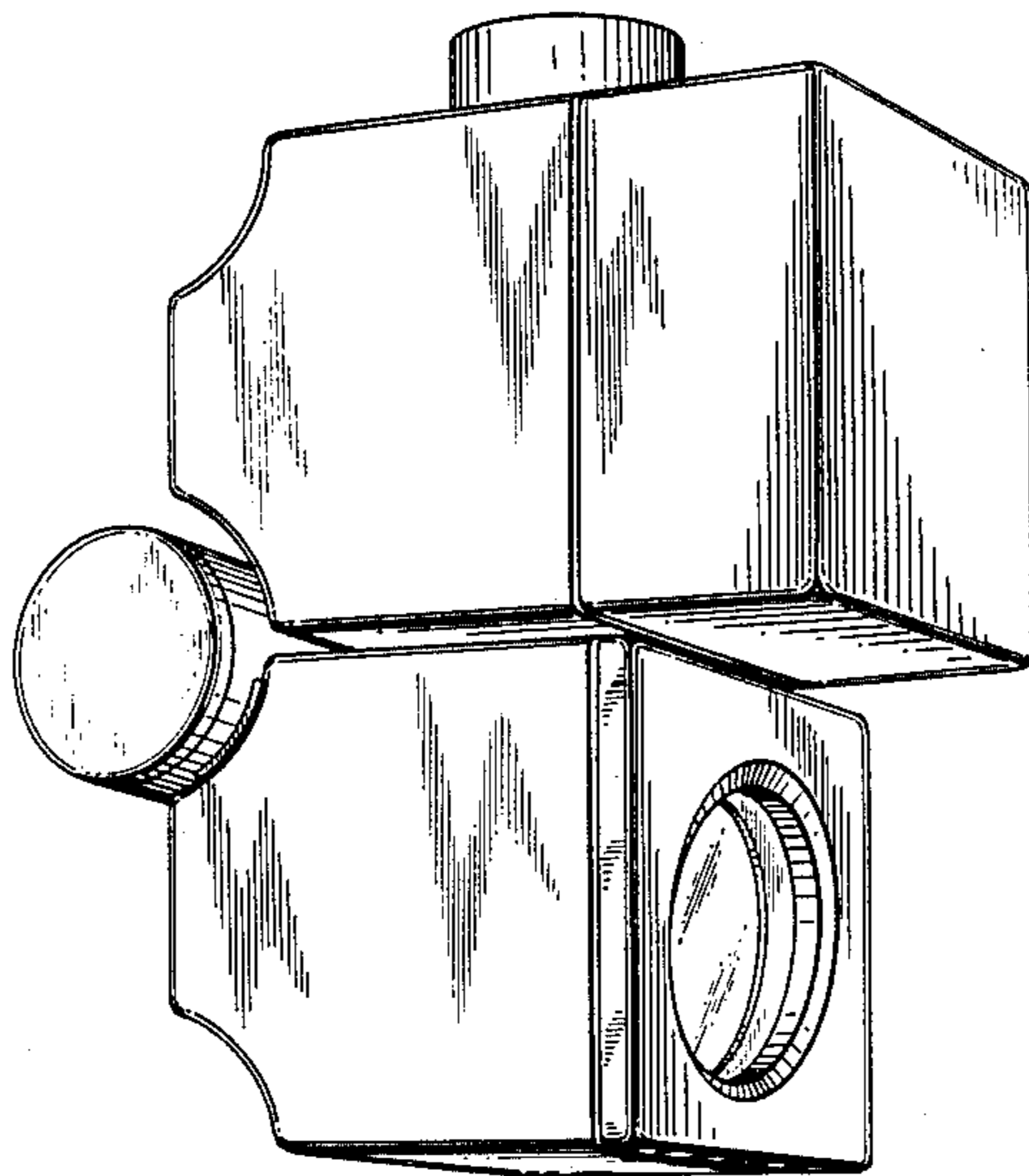
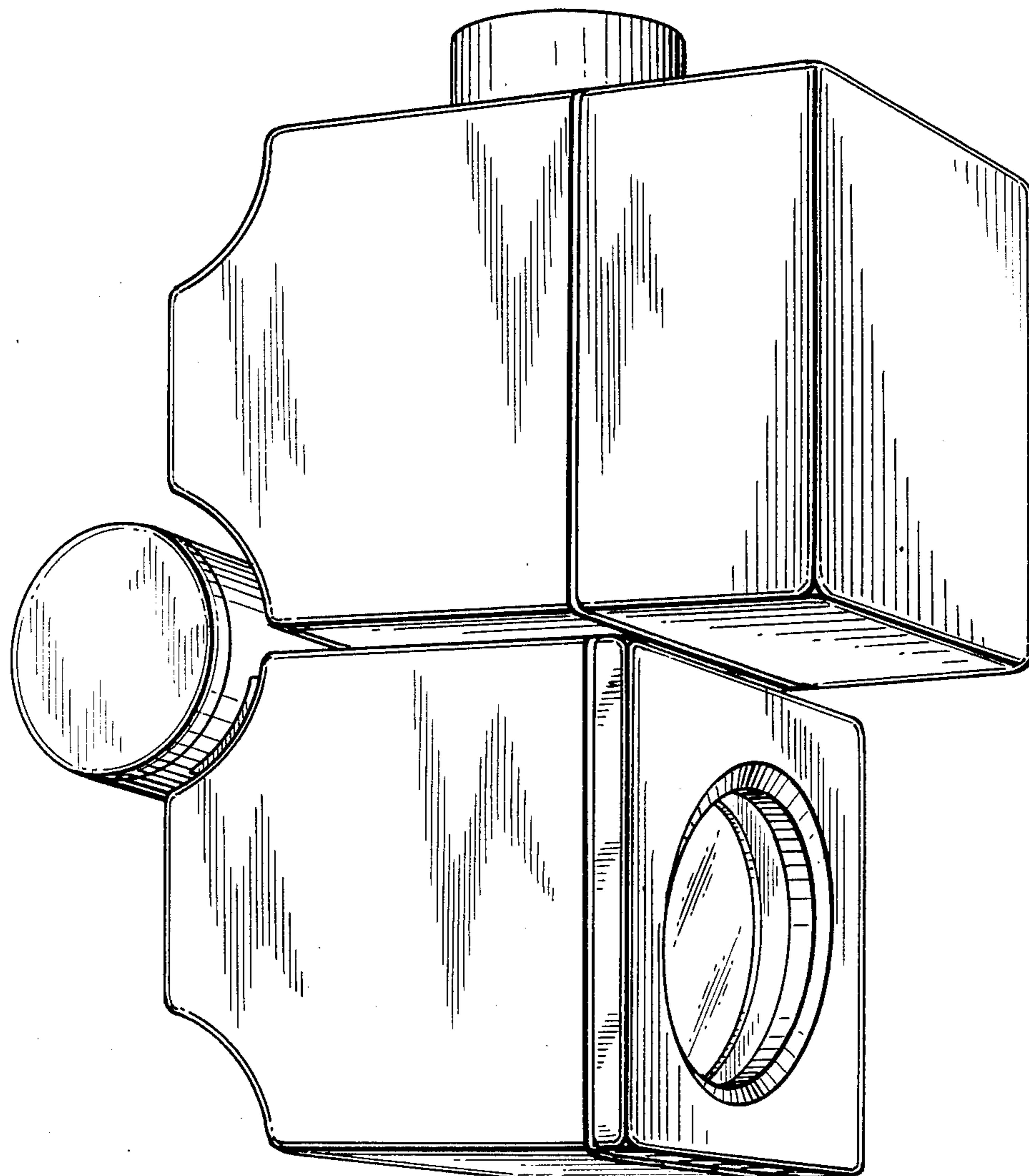


FIG. 1



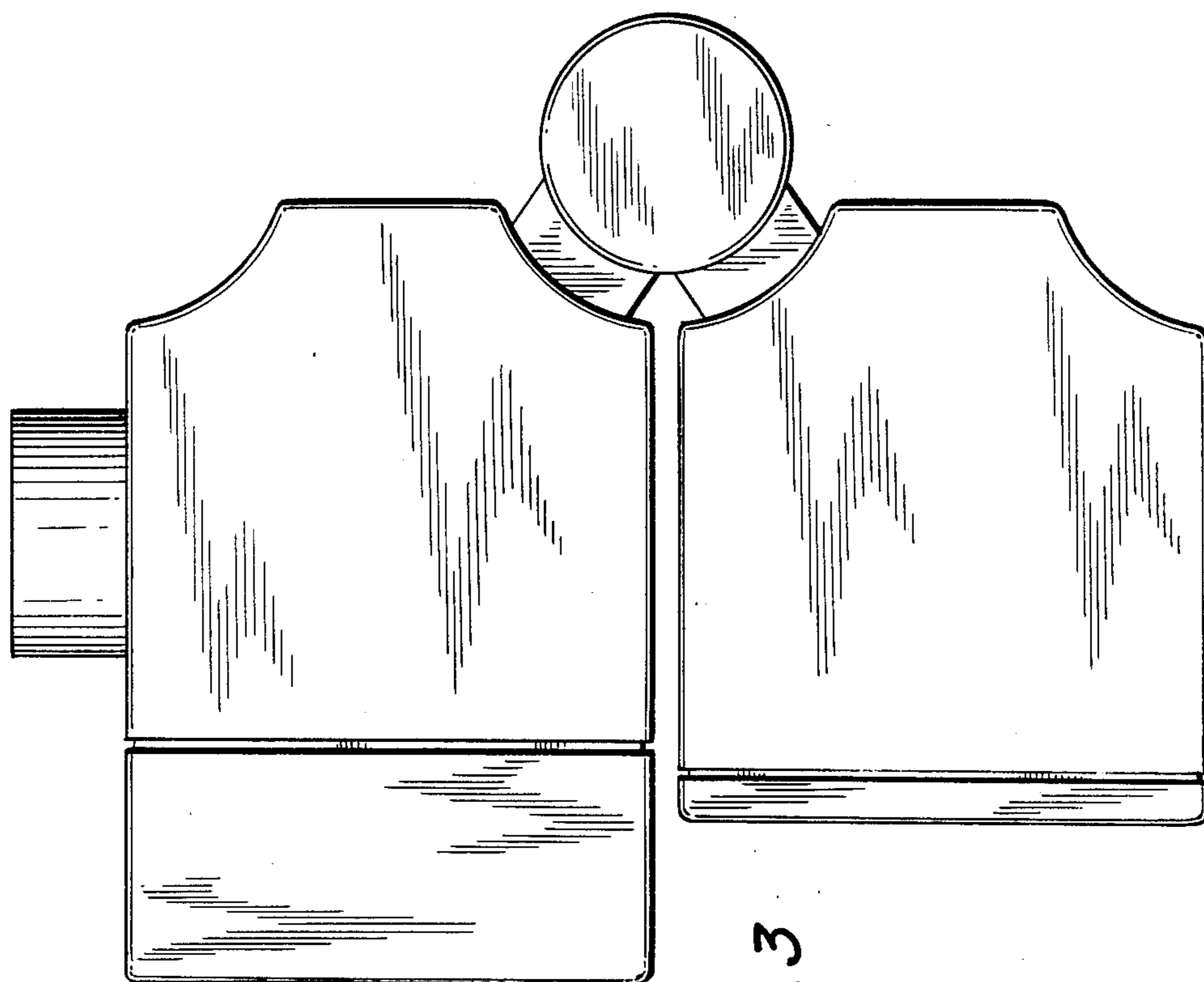


FIG. 3

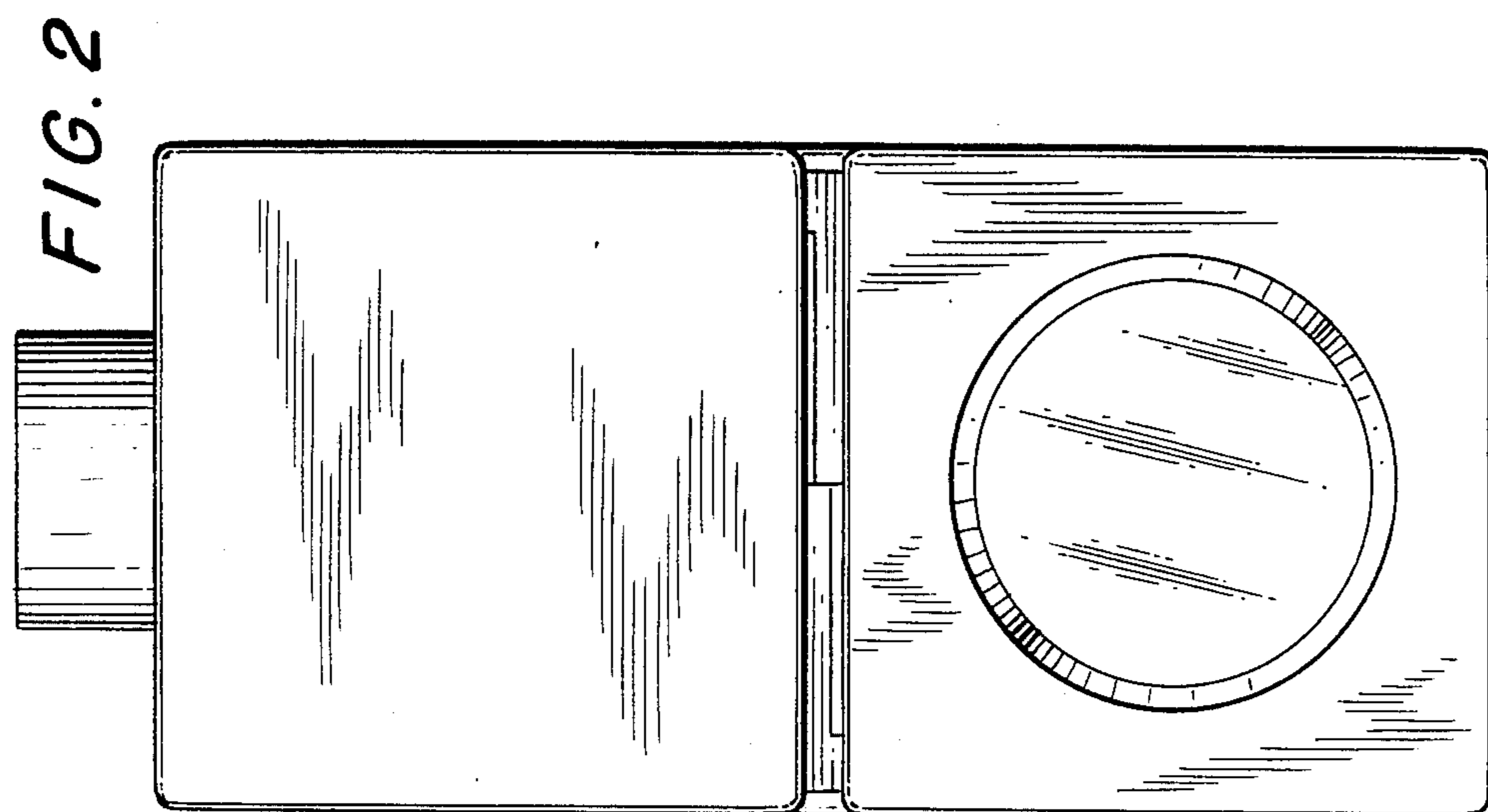


FIG. 2

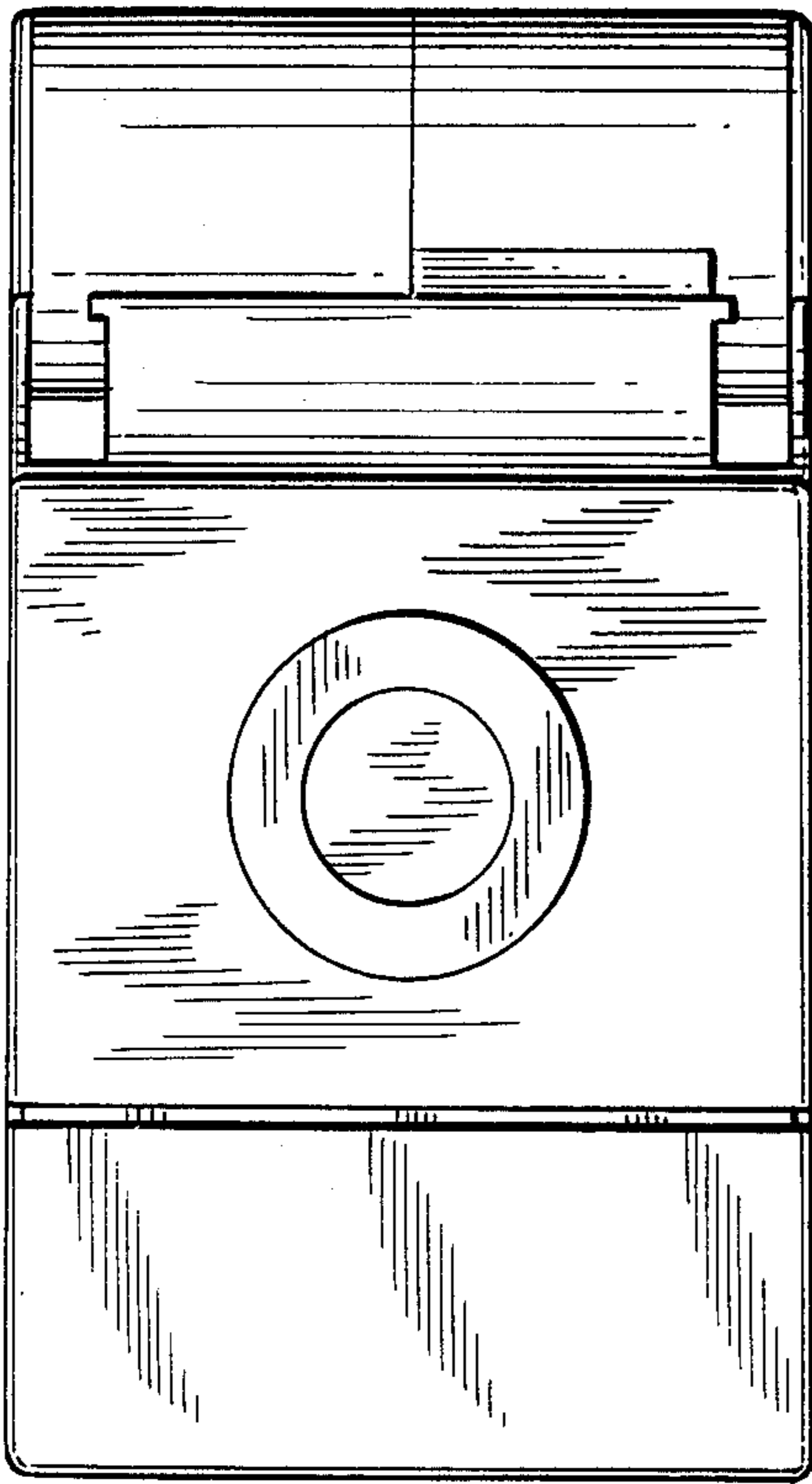


FIG. 4

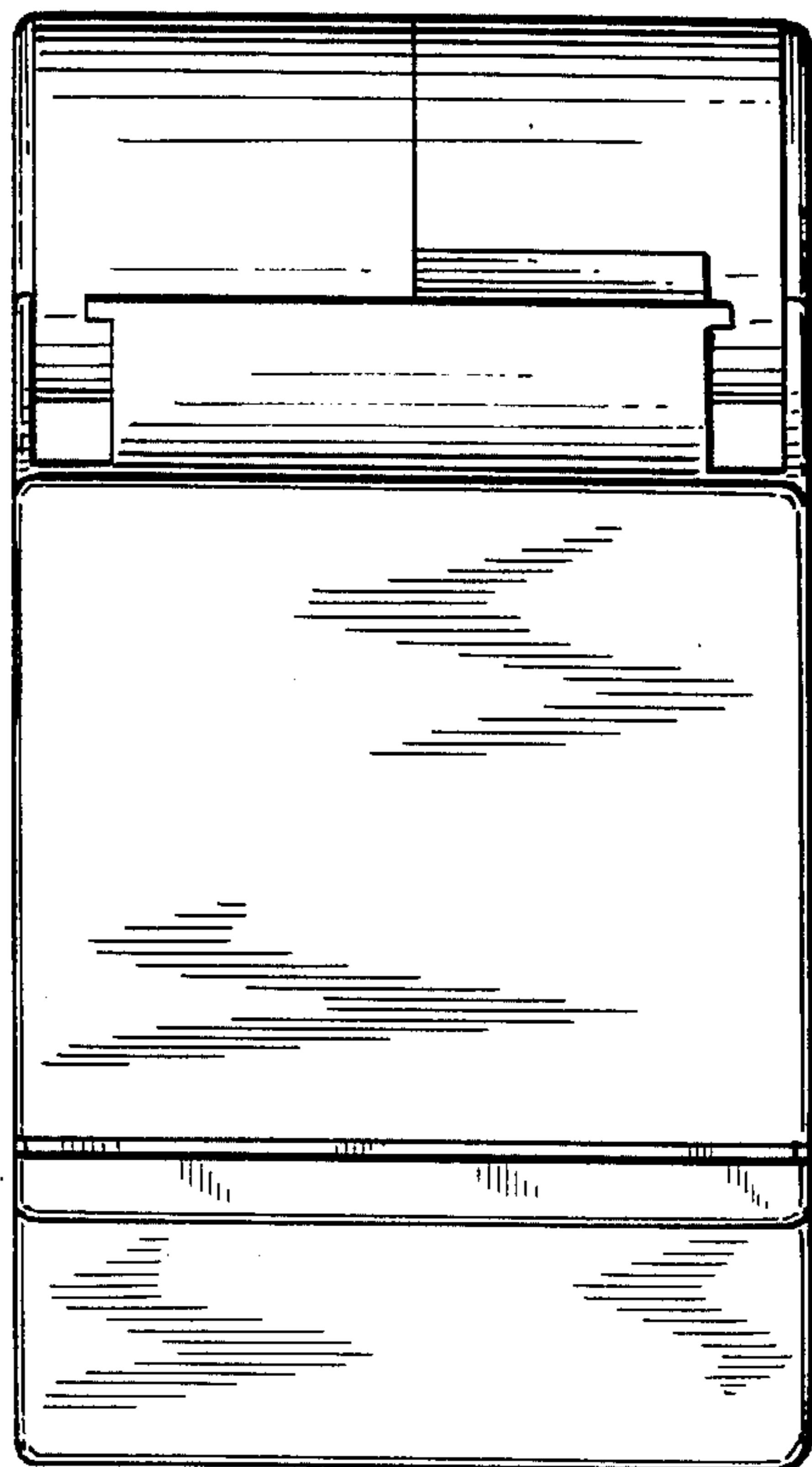


FIG. 5

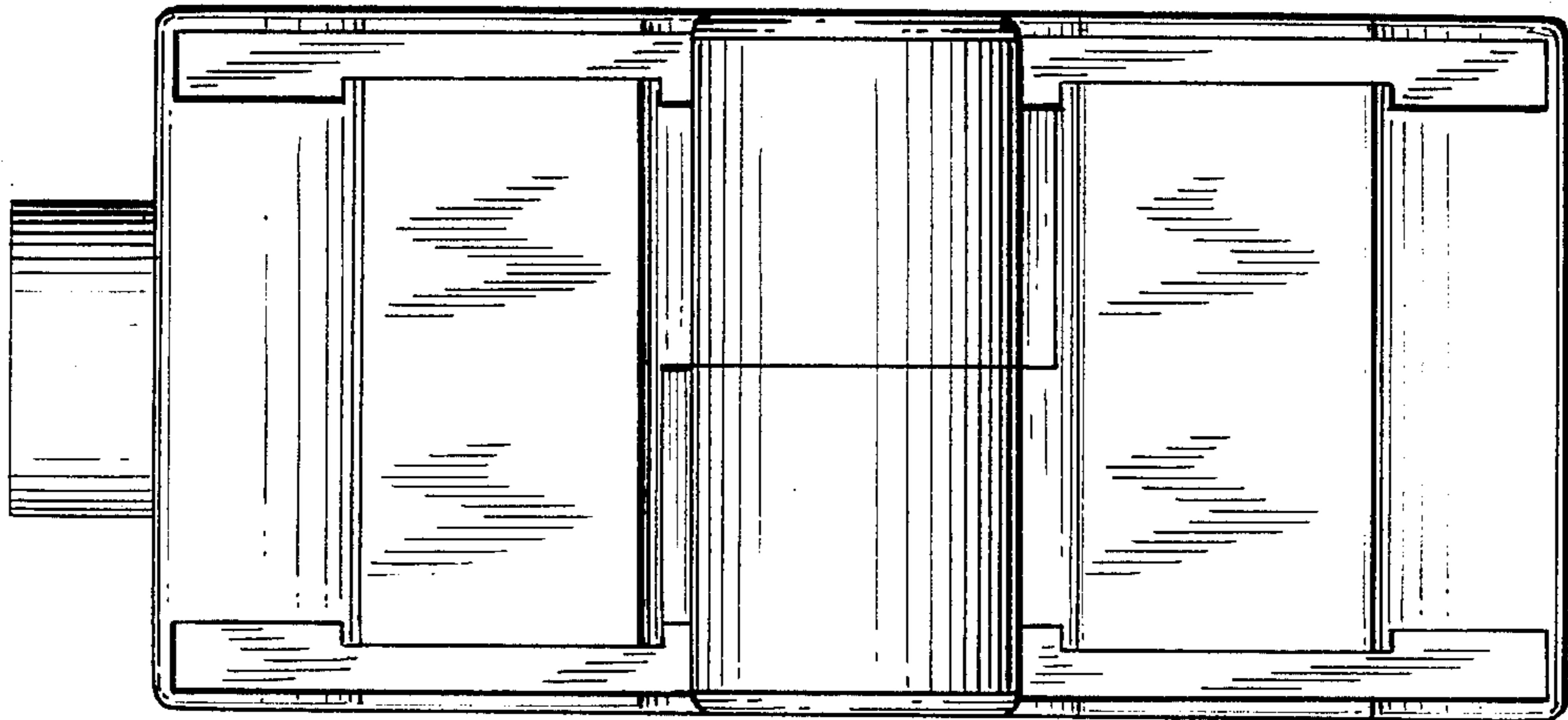


FIG. 6

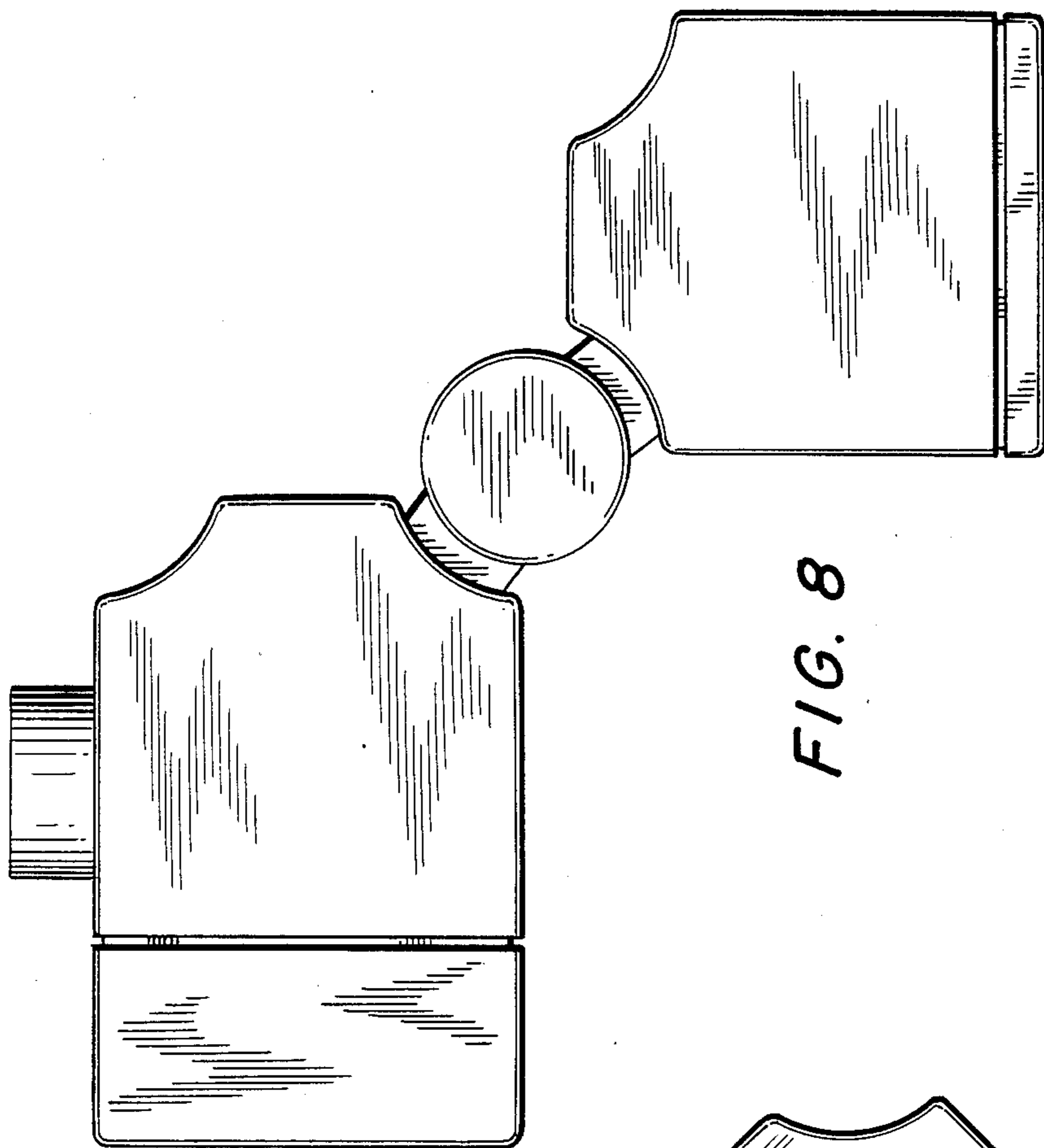


FIG. 8

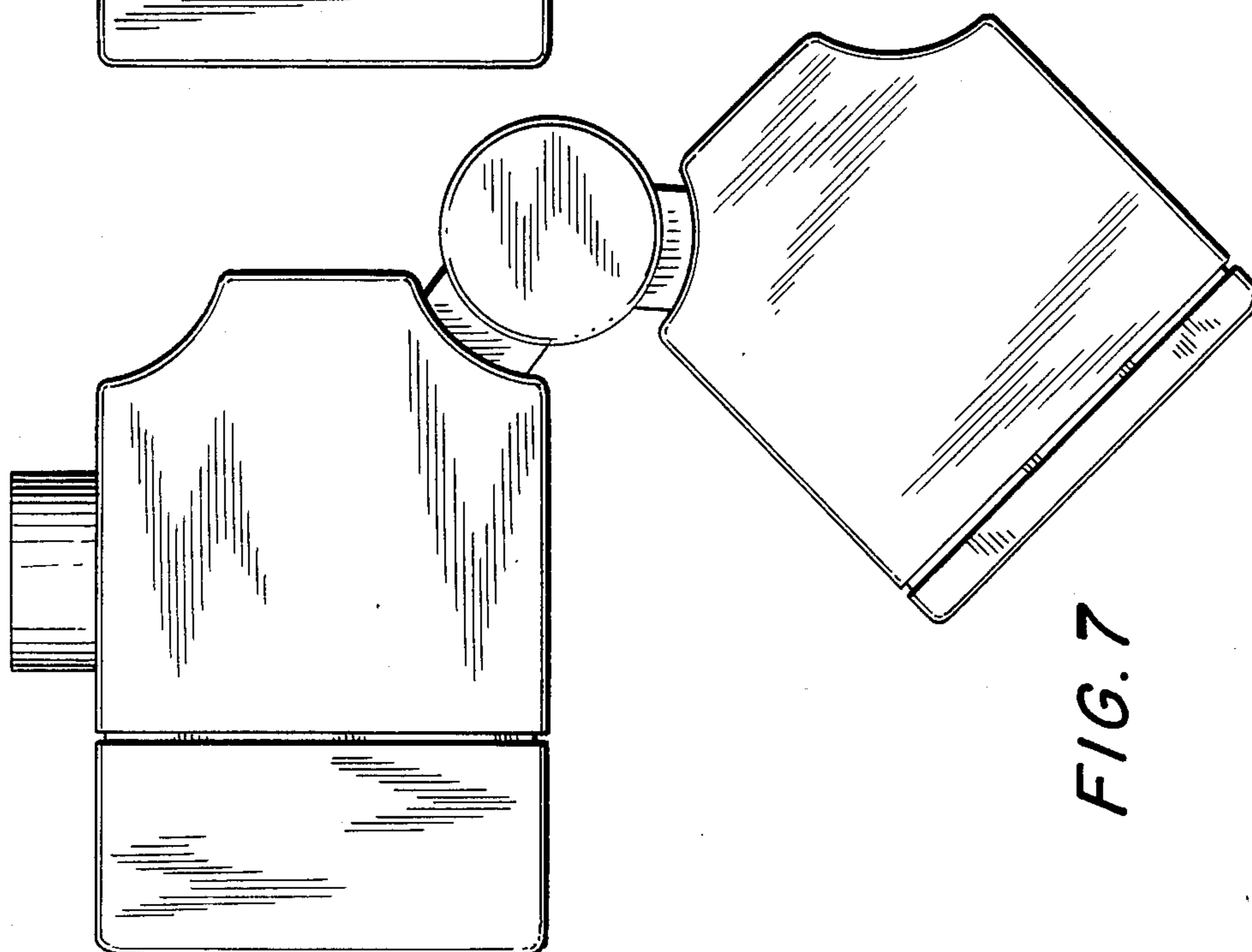


FIG. 7