

[54] **VENTILATED WORK STATION**

[75] **Inventor: Rudi Bianchetti, Et Vleuten, Netherlands**

[73] **Assignee: B.V. Clean Air Technieke, Ja Woerden, Netherlands**

[\*\*] **Term: 14 Years**

[21] **Appl. No.: 739,039**

[22] **Filed: May 29, 1985**

[52] **U.S. Cl. .... D23/371**

[58] **Field of Search .... D23/139-140, D23/155, 158, 161-163; D24/1.1, 8, 99; 98/115.1-115.4; 126/299 R, 299 C, 299 D; 55/DIG. 18, DIG. 36**

[56] **References Cited**

**U.S. PATENT DOCUMENTS**

D. 267,072 11/1982 Joseph ..... D23/151

D. 286,324 10/1986 Parks et al. .... D23/151  
3,505,945 4/1970 Greer ..... 98/115.4 X  
3,895,570 7/1975 Eagleson, Jr. .... 55/DIG. 18 X  
4,142,458 3/1979 Duym ..... 55/DIG. 18 X  
4,534,281 8/1985 Parks et al. .... 98/115.3

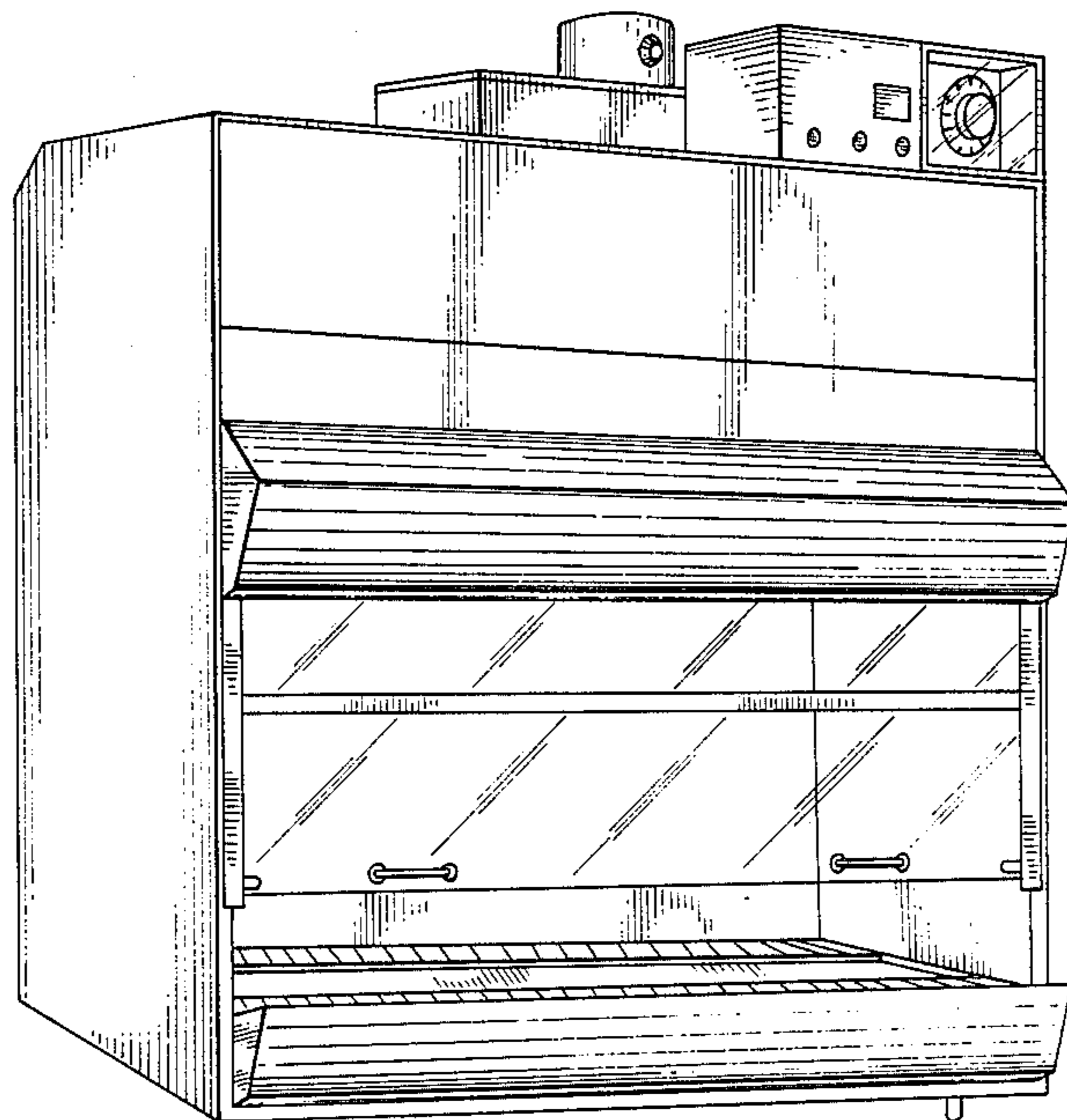
*Primary Examiner*—Wallace R. Burke  
*Assistant Examiner*—Brian N. Vinson  
*Attorney, Agent, or Firm*—Larson & Taylor

[57] **CLAIM**

The ornamental design for a ventilated work station, as shown and described.

**DESCRIPTION**

FIG. 1 is a front elevation view of a ventilated work station showing my new design; the rear being plain and unornamented,  
FIG. 2 is a right-side elevational view thereof, the left side being a mirror image thereof, and  
FIG. 3 is a front perspective view thereof.



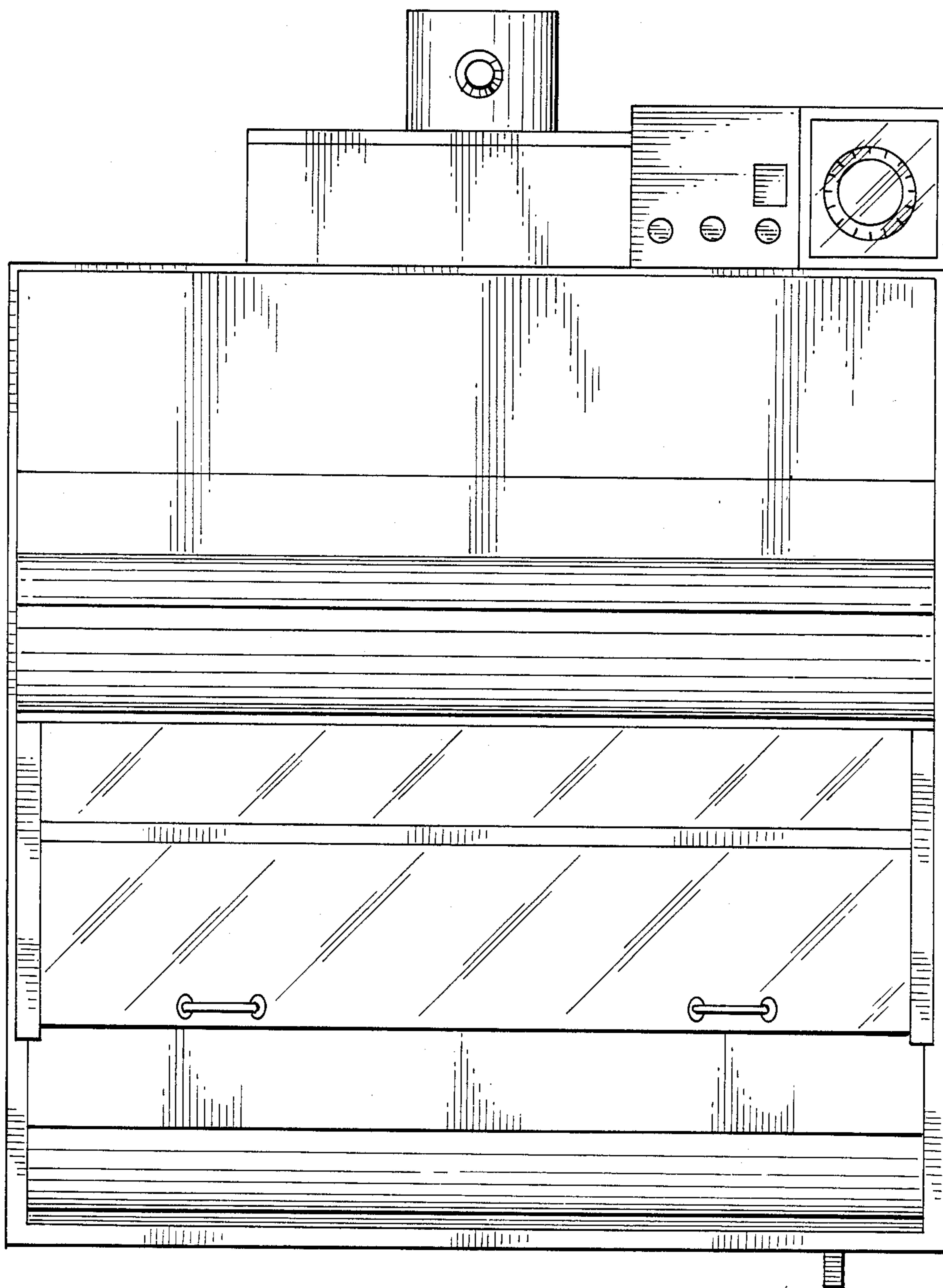


FIG. 1

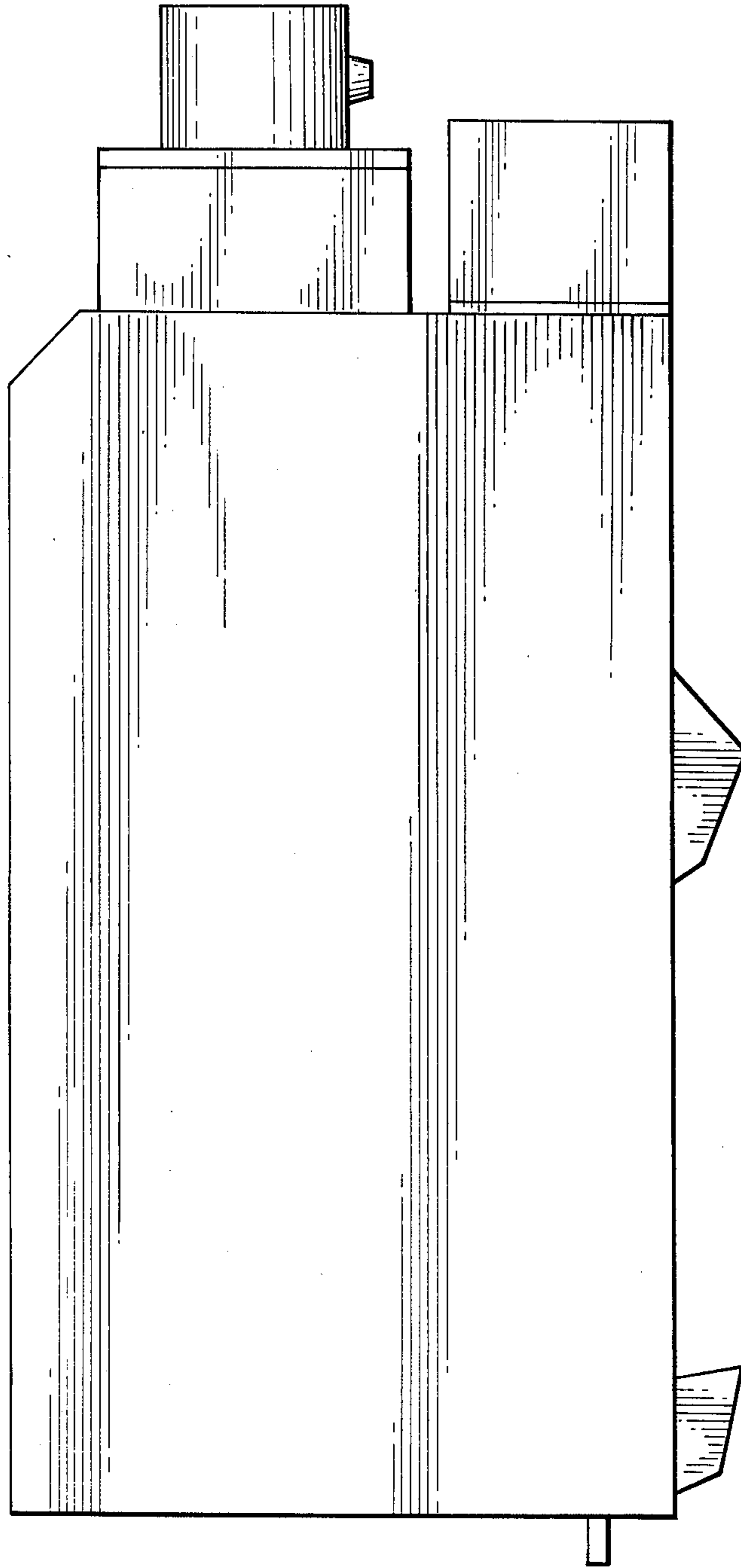


FIG. 2

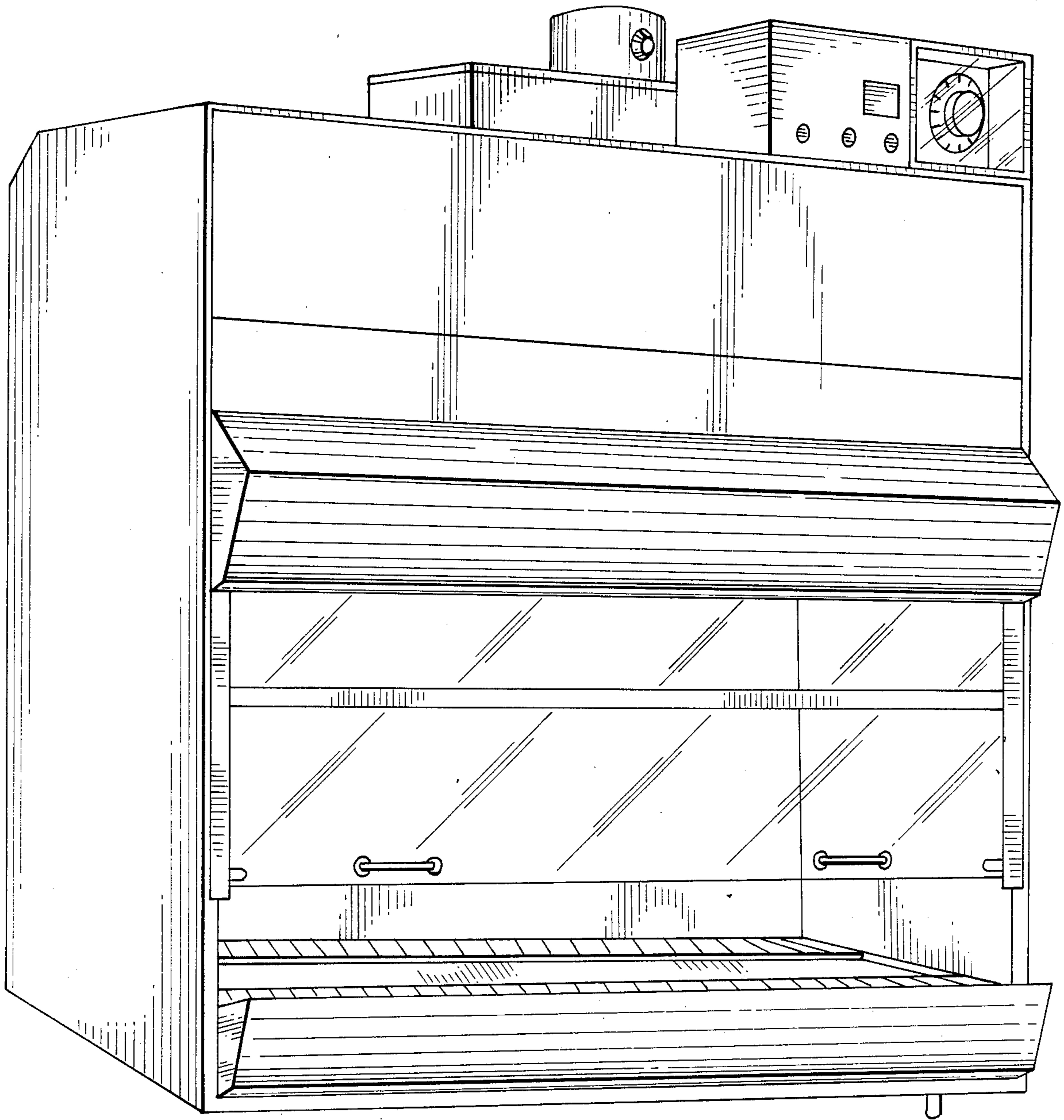


FIG. 3