

# United States Patent [19]

Gvoich et al.

[11] Patent Number: Des. 296,709

[45] Date of Patent: \*\* Jul. 12, 1988

[54] EXERCISE MACHINE

[76] Inventors: William Gvoich, 281 Rainbow Drive, Hamilton, Ontario, Canada, L8K 4G3; Ned Gvoich, 116 Irene Avenue, Stoney Creek, Ontario, Canada, M6G 1M7

[\*\*] Term: 14 Years

[21] Appl. No.: 872,443

[22] Filed: Jun. 9, 1986

[30] Foreign Application Priority Data

Jan. 13, 1986 [CA] Canada ..... 13-01-86-12

[52] U.S. Cl. .... D21/195

[58] Field of Search ..... D21/191-199;  
273/117, 118, 134, 136, 142, 143, 144, 125

[56] References Cited

U.S. PATENT DOCUMENTS

4,598,908 7/1986 Morgan ..... 272/117

4,632,388 12/1986 Schleffendorf ..... 272/117  
4,721,301 1/1988 Drake ..... 272/118

## OTHER PUBLICATIONS

March "Next Generation" catalog, 10-1982, p. 5, Family Fitness Center.

Primary Examiner—Charles A. Rademaker

Attorney, Agent, or Firm—Riches, McKenzie & Herbert

[57] CLAIM

The ornamental design for an exercise machine, as shown and described.

## DESCRIPTION

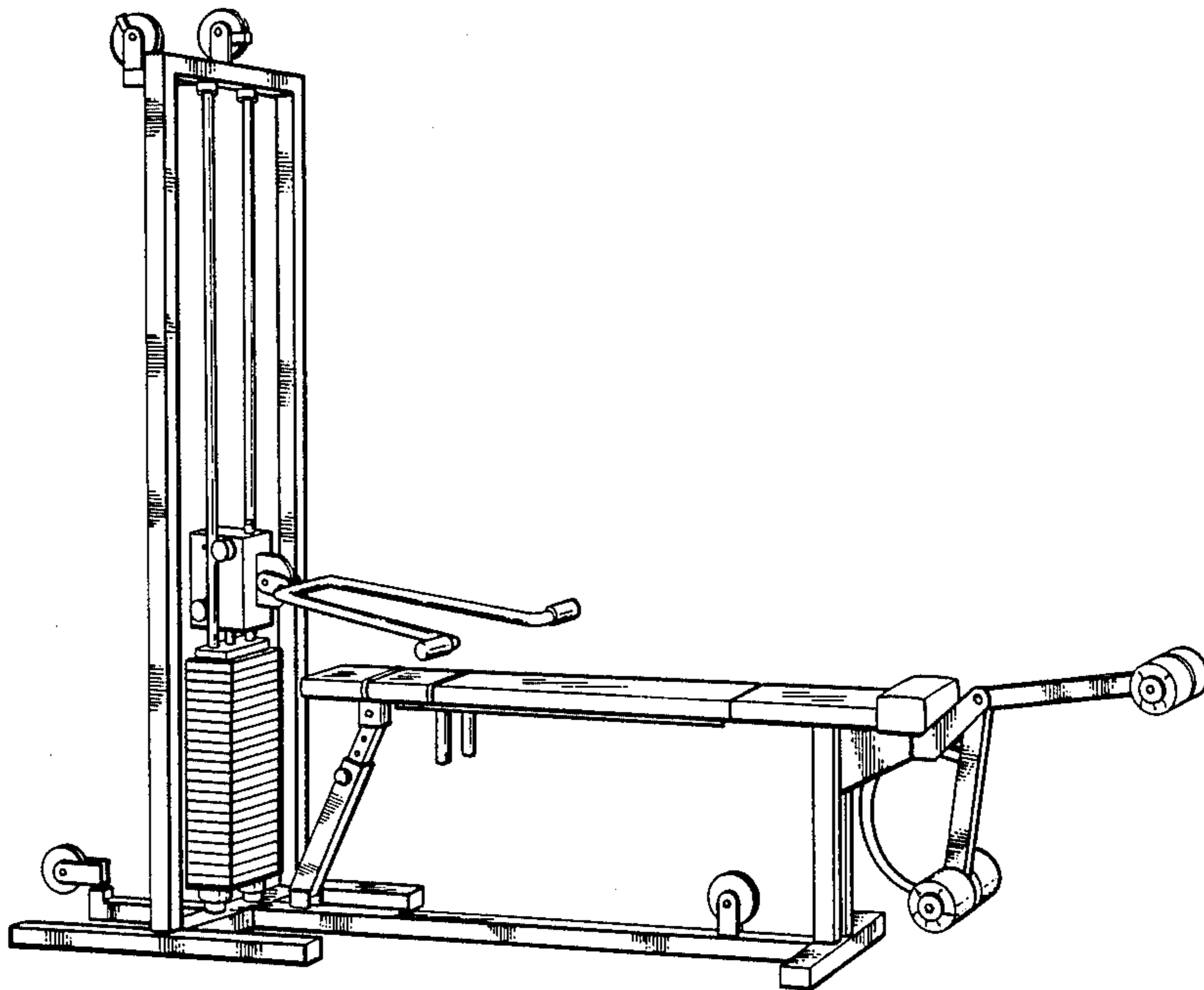
FIG. 1 is a perspective view of an exercise machine showing our new design;

FIG. 2 is a side elevational view thereof, the opposite side being a mirror image thereof;

FIG. 3 is an end elevational view thereof;

FIG. 4 is an end elevational view thereof of the opposite end shown in FIG. 3; and

FIG. 5 is a top plan view thereof.



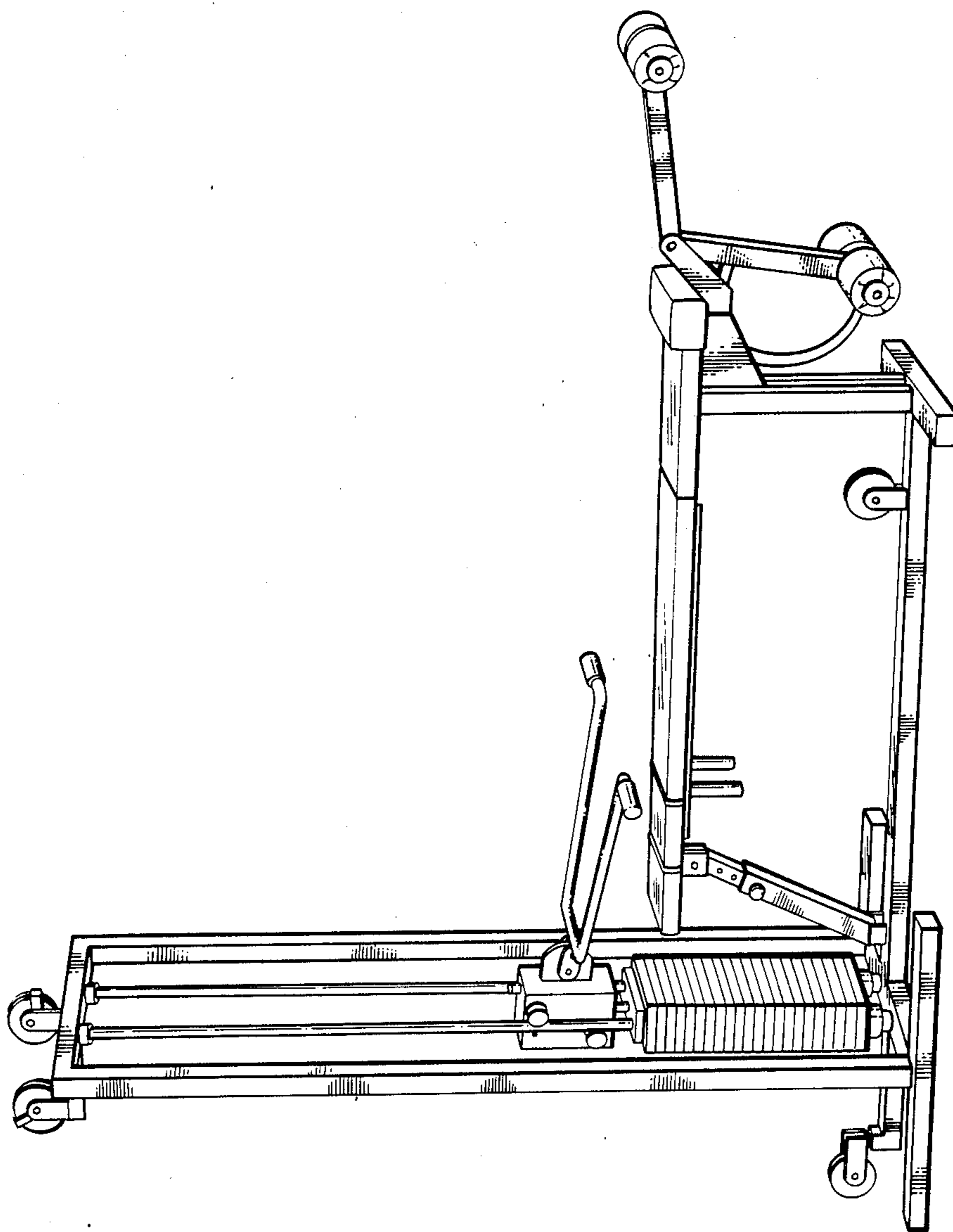


FIG. 1.

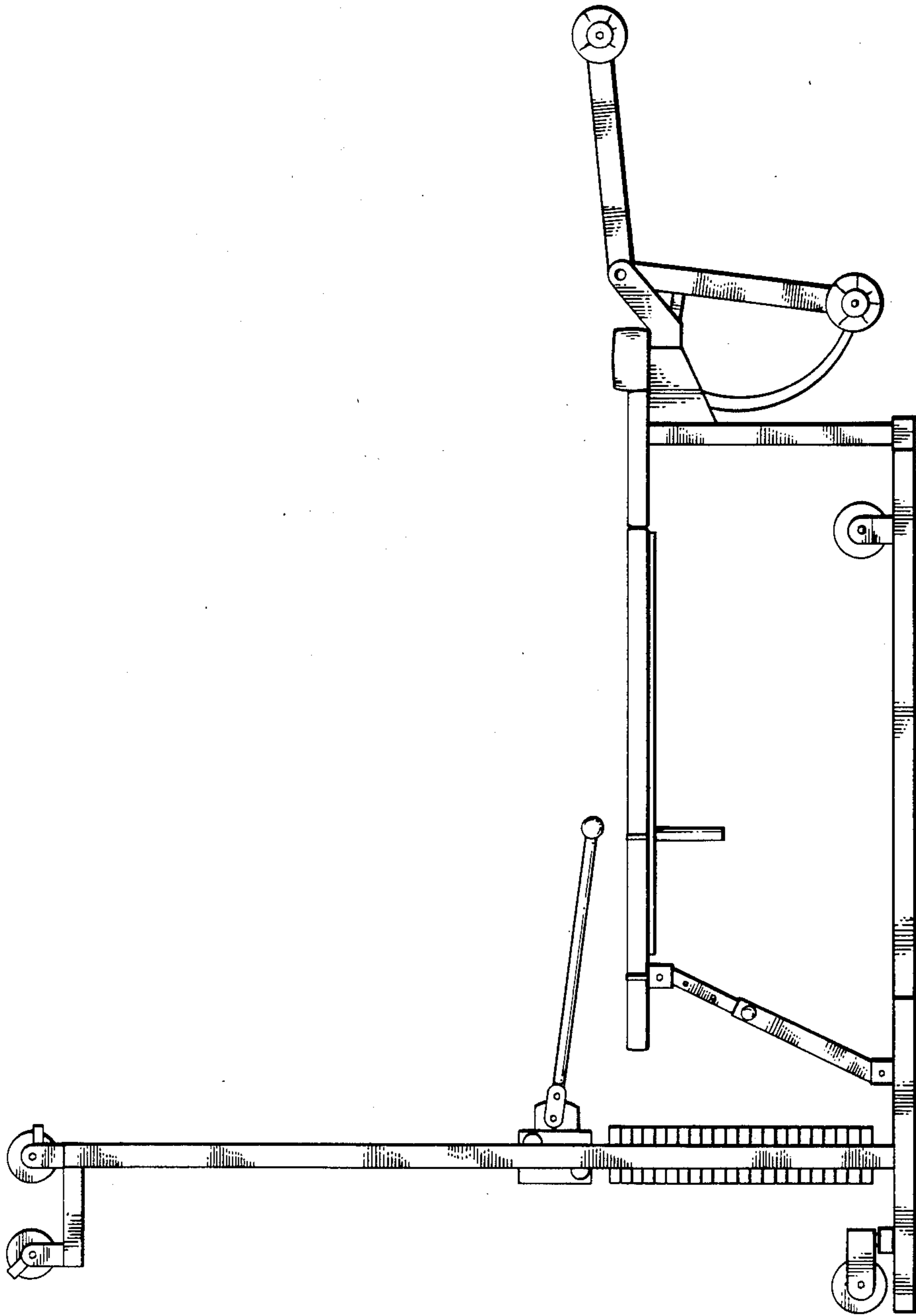


FIG. 2.

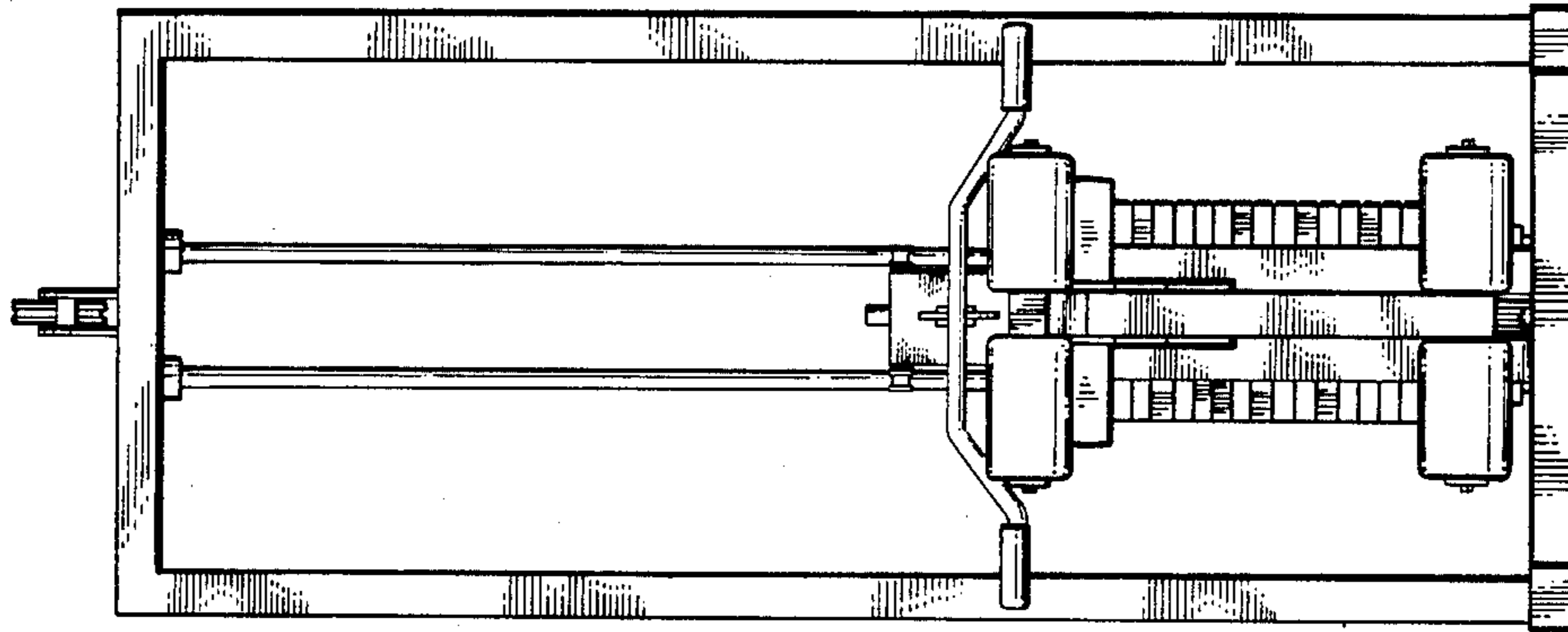


FIG. 4.

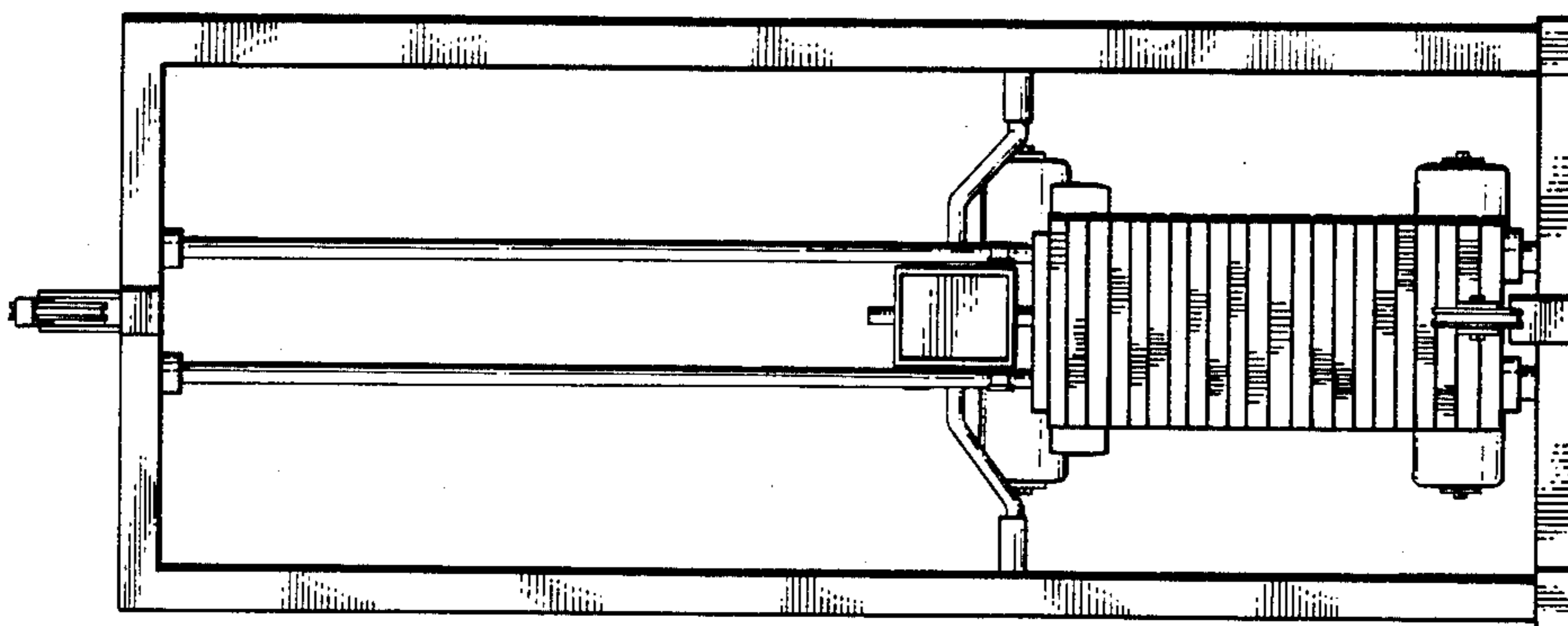


FIG. 3.

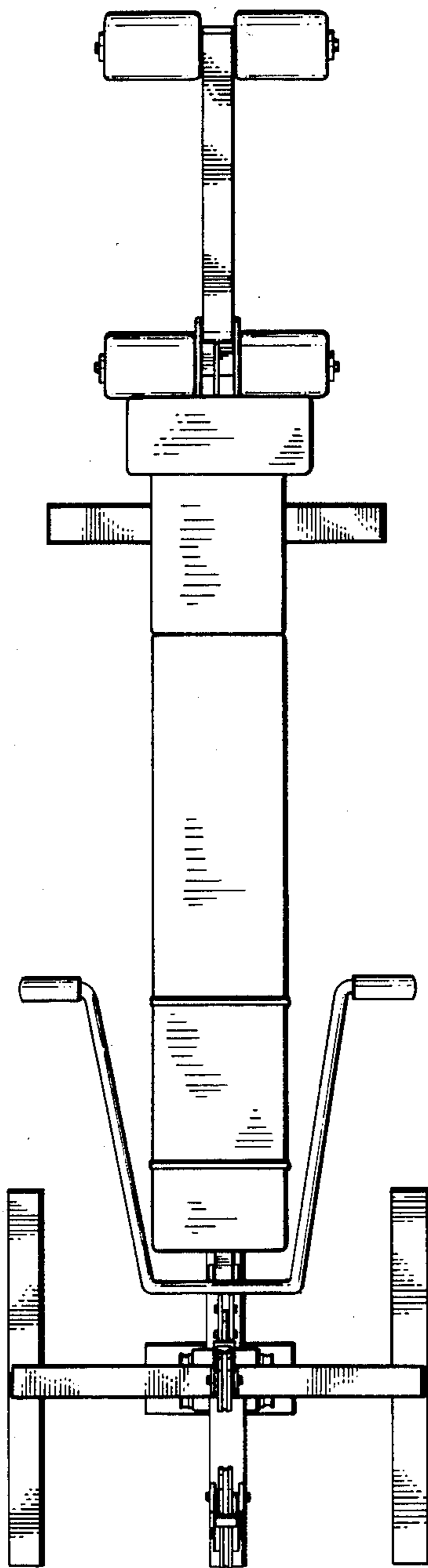


FIG. 5.