

[54] TURRET CUTTING MACHINE  
 [75] Inventor: Masato Kooyama, Takasaki, Japan  
 [73] Assignee: Kyowa Industrial Co., Ltd., Gunma, Japan  
 [\*\*] Term: 14 Years  
 [21] Appl. No.: 702,214  
 [22] Filed: Feb. 14, 1985

[30] Foreign Application Priority Data

Sep. 10, 1984 [JP] Japan ..... 59-37595  
 [52] U.S. Cl. .... D15/127  
 [58] Field of Search ..... D15/122, 127; 29/50, 29/55, 56.5, 35.5, 39, 40, 36; 82/2 R; 408/35

[56] References Cited

U.S. PATENT DOCUMENTS

D. 221,590 8/1971 Larsen et al. .... D15/122  
 D. 257,042 9/1980 Lohneis et al. .... D16/127

D. 266,851 11/1982 Wada et al. .... D15/127  
 D. 274,911 7/1984 Sato ..... D15/122  
 3,830,584 8/1974 Ohlig ..... 408/35  
 4,313,478 2/1982 Suzuki ..... 29/36

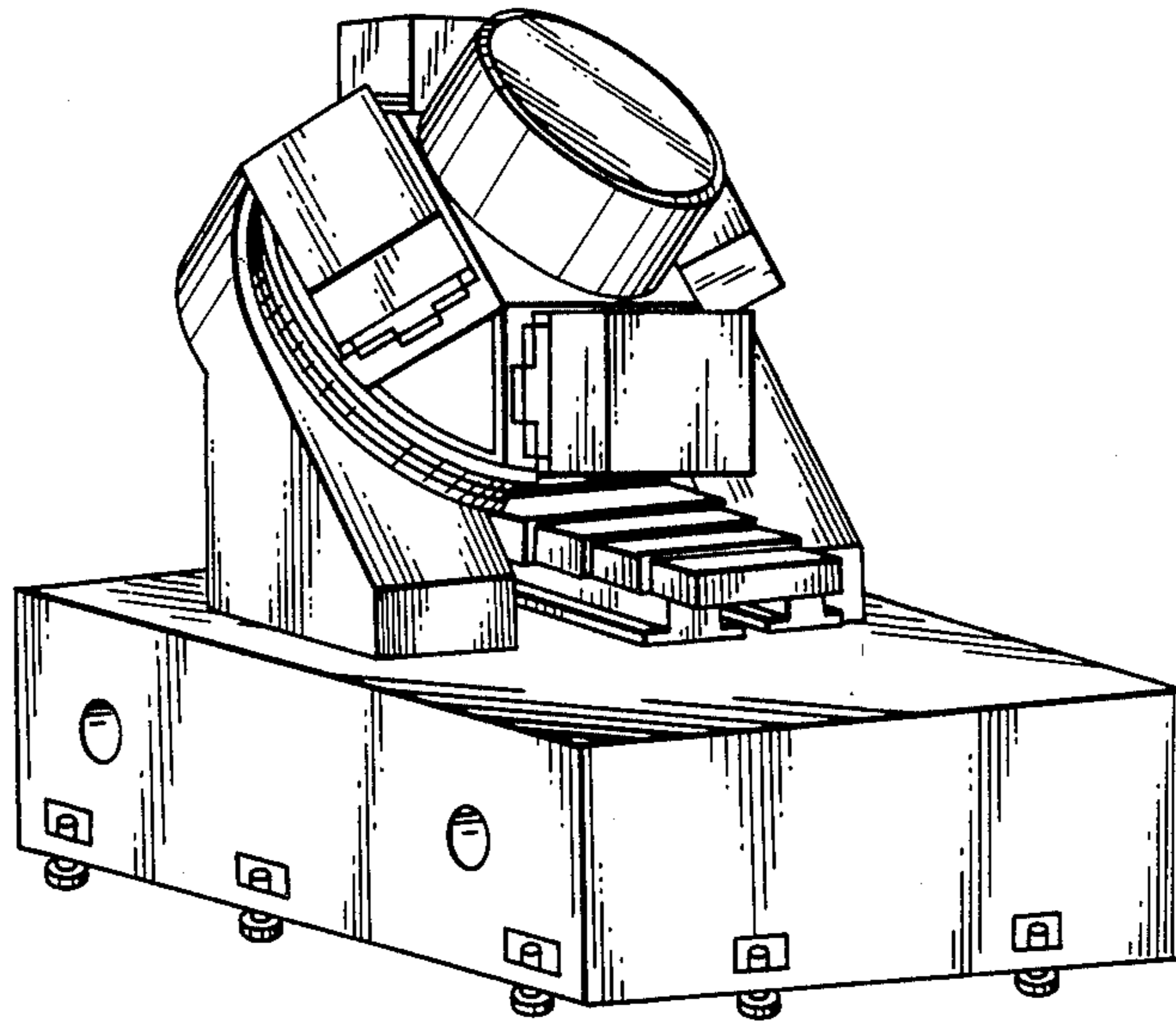
Primary Examiner—B. J. Bullock  
 Attorney, Agent, or Firm—Wenderoth, Lind & Ponack

[57] CLAIM

The ornamental design for a turret cutting machine, substantially as shown and described.

DESCRIPTION

FIG. 1 is a perspective view of a turret cutting machine showing my new design;  
 FIG. 2 is a left side elevational view thereof, the tools and the work support being shown in broken lines for illustrative purposes only;  
 FIG. 3 is a front elevational view thereof;  
 FIG. 4 is a rear elevational view thereof;  
 FIG. 5 is a right side elevational view thereof;  
 FIG. 6 is a top plan view thereof;  
 FIG. 7 is a bottom plan view thereof.



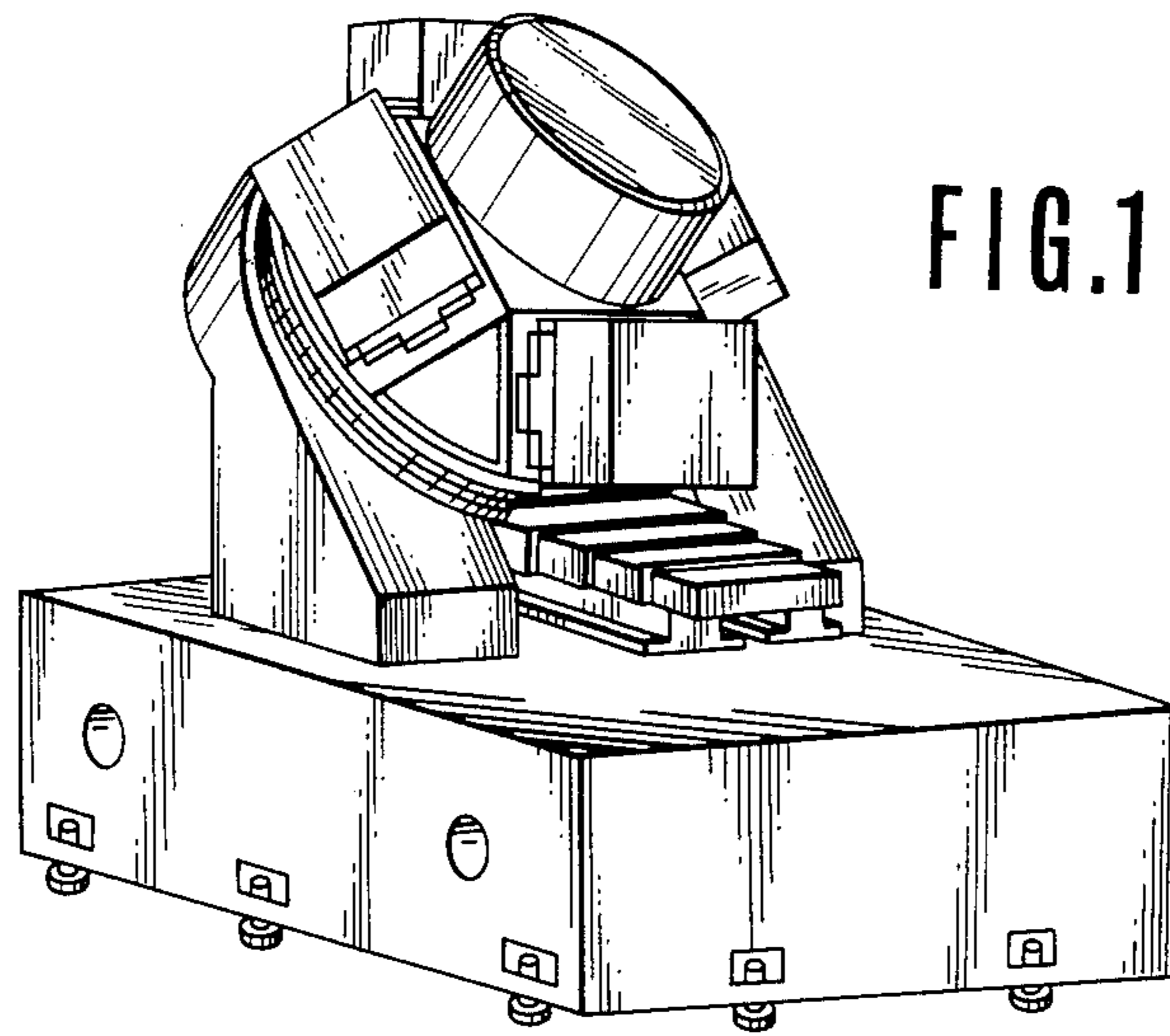


FIG. 1

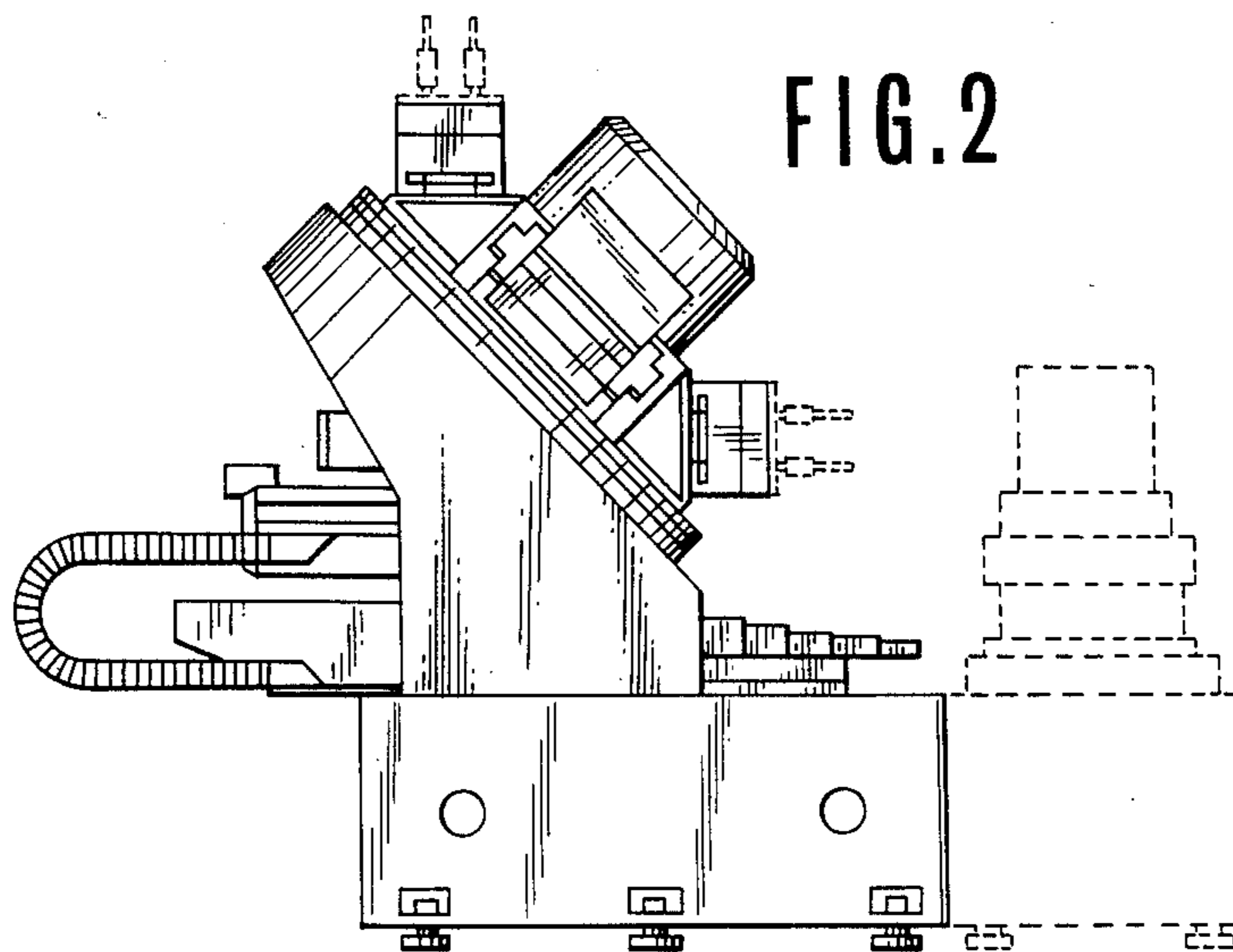


FIG. 2

FIG. 3

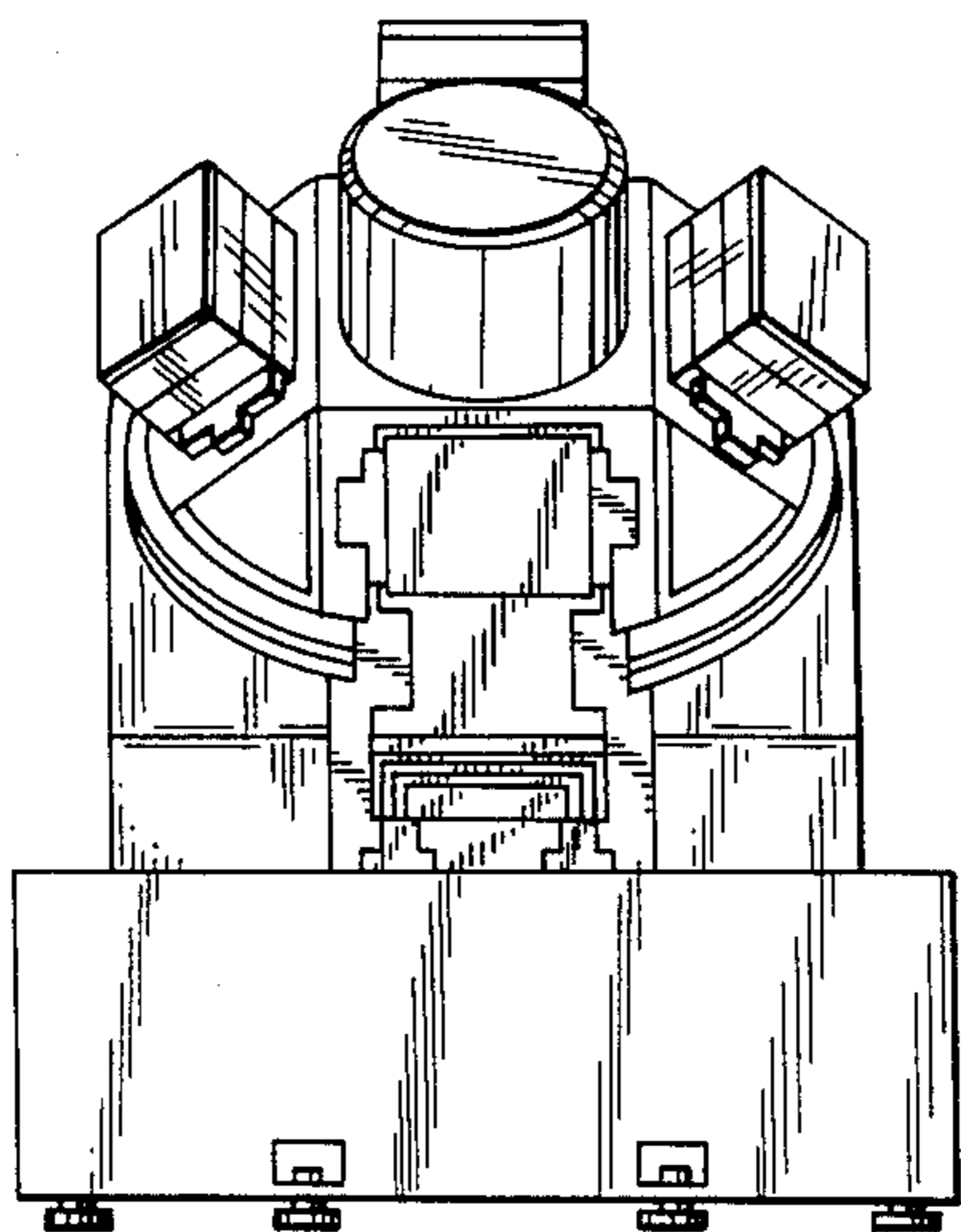


FIG. 4

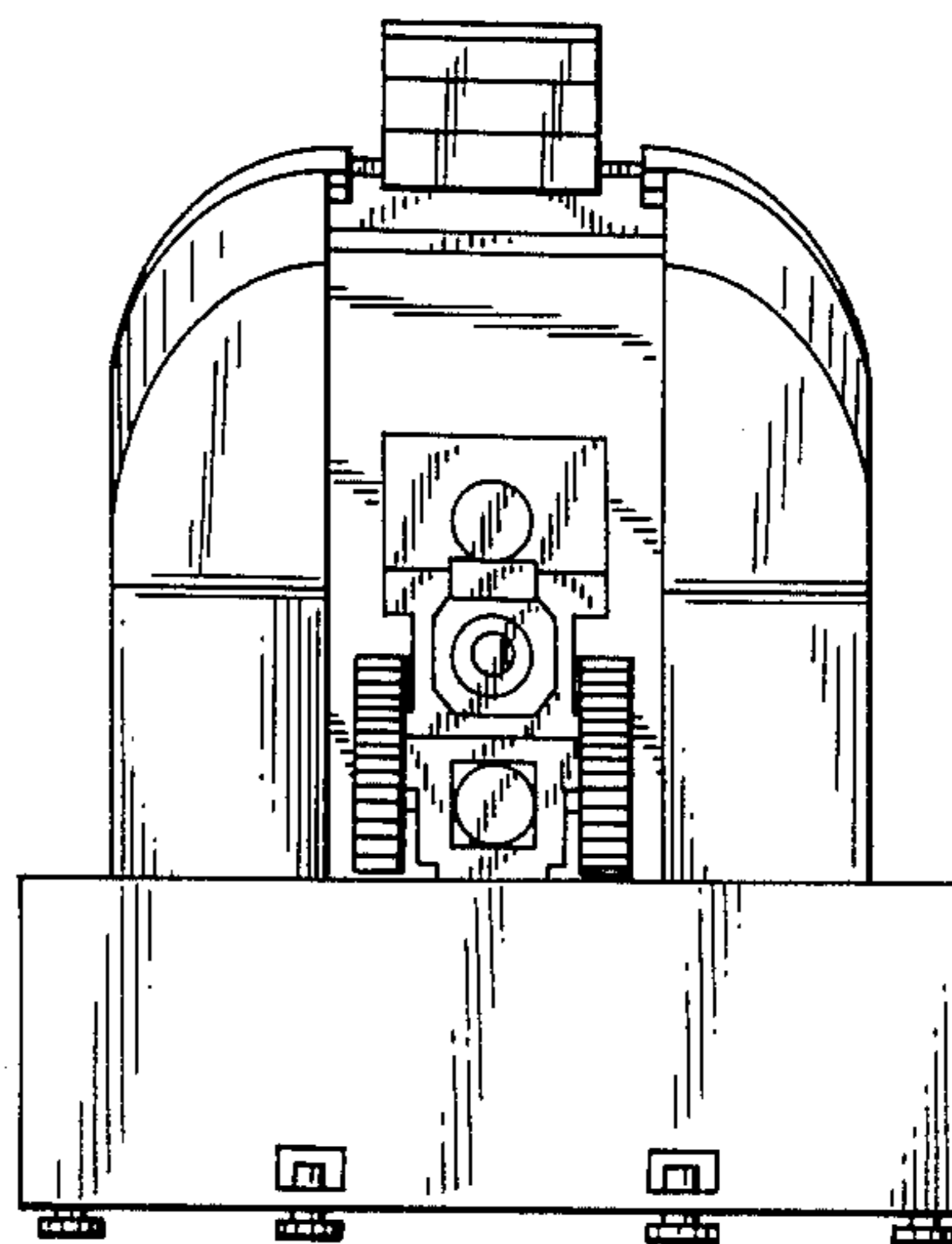


FIG. 5

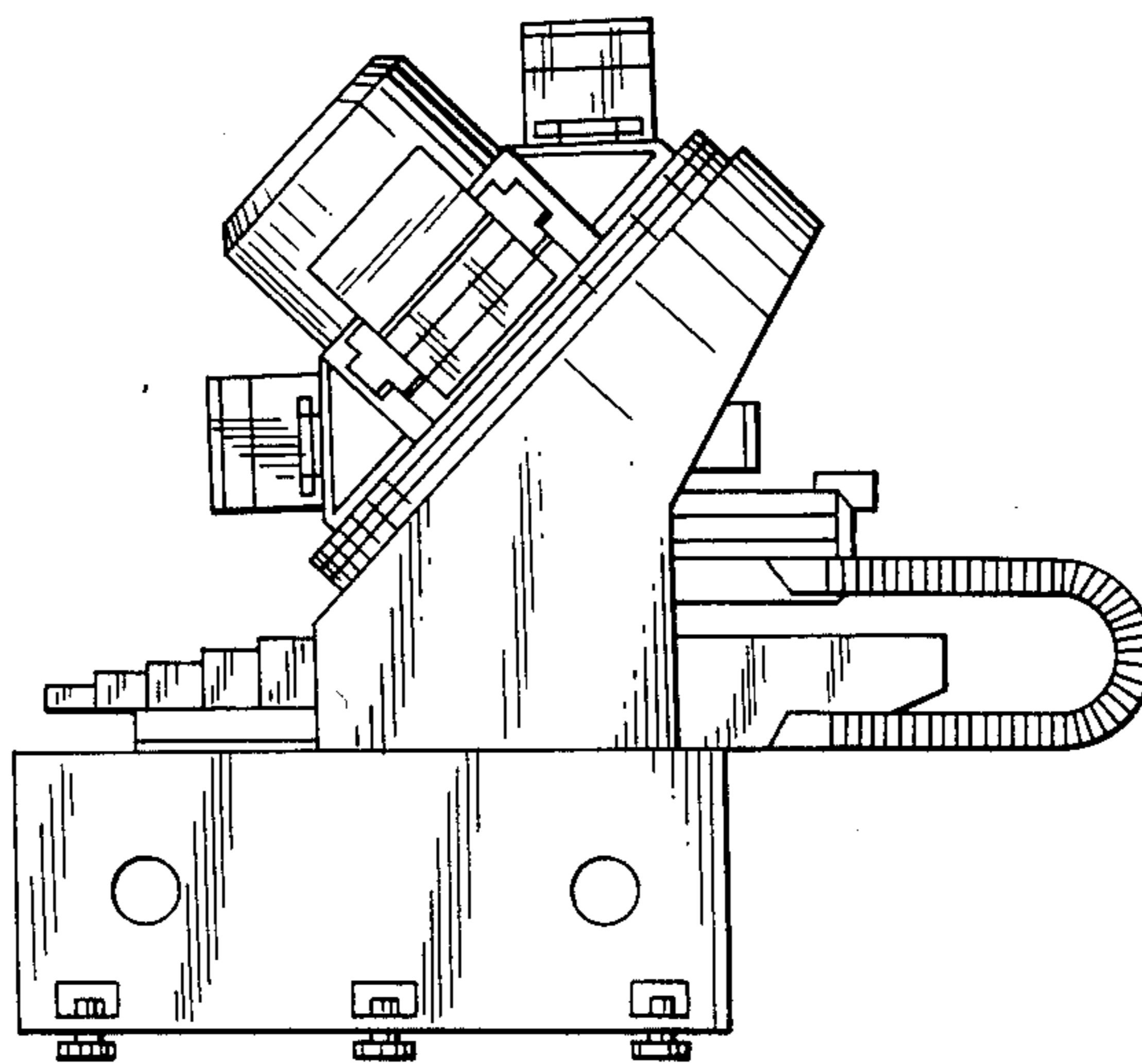


FIG. 6

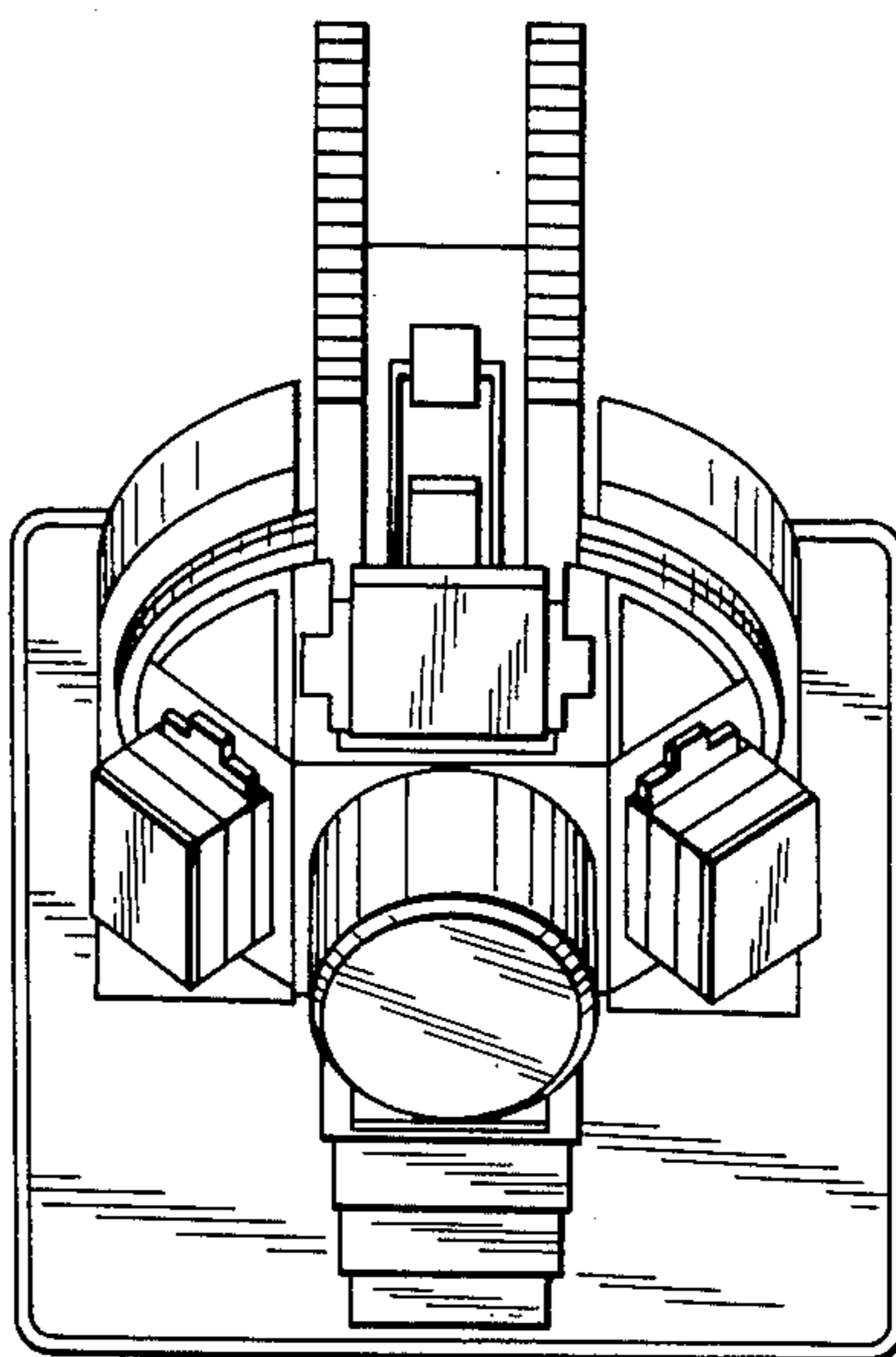


FIG. 7

