

[54] **AIR PUMP**

[76] **Inventor: Peter J. King, 31 Morning Glory Drive, Lake Cooroibah, Noosa Q. 4565, Australia**

[**] **Term: 14 Years**

[21] **Appl. No.: 875,381**

[22] **Filed: Jun. 16, 1986**

[30] **Foreign Application Priority Data**

Dec. 20, 1985 [AU] Australia 3690/85
[52] **U.S. Cl. D15/7**
[58] **Field of Search D15/7, 9; 417/76, 151, 417/194, 321, 366, 405, 408-409, 902; 415/219 R, 219 C**

[56]

References Cited

U.S. PATENT DOCUMENTS

D. 266,091 9/1982 Richards et al. D15/7
D. 286,292 10/1986 Kingston D15/9
2,850,228 9/1958 Rowley 417/234 X
3,144,832 8/1964 Haynes D15/7 X

Primary Examiner—Wallace R. Burke
Assistant Examiner—Brian N. Vinson
Attorney, Agent, or Firm—McAulay, Fields, Fisher, Goldstein & Nissen

[57]

CLAIM

The ornamental design for an air pump, as shown in the representations.

DESCRIPTION

FIG. 1 is a top, front and left side perspective view of an air pump for spa baths showing my new design, the right side being plain and unornamented; and FIG. 2 is a bottom rear and left side perspective view thereof.

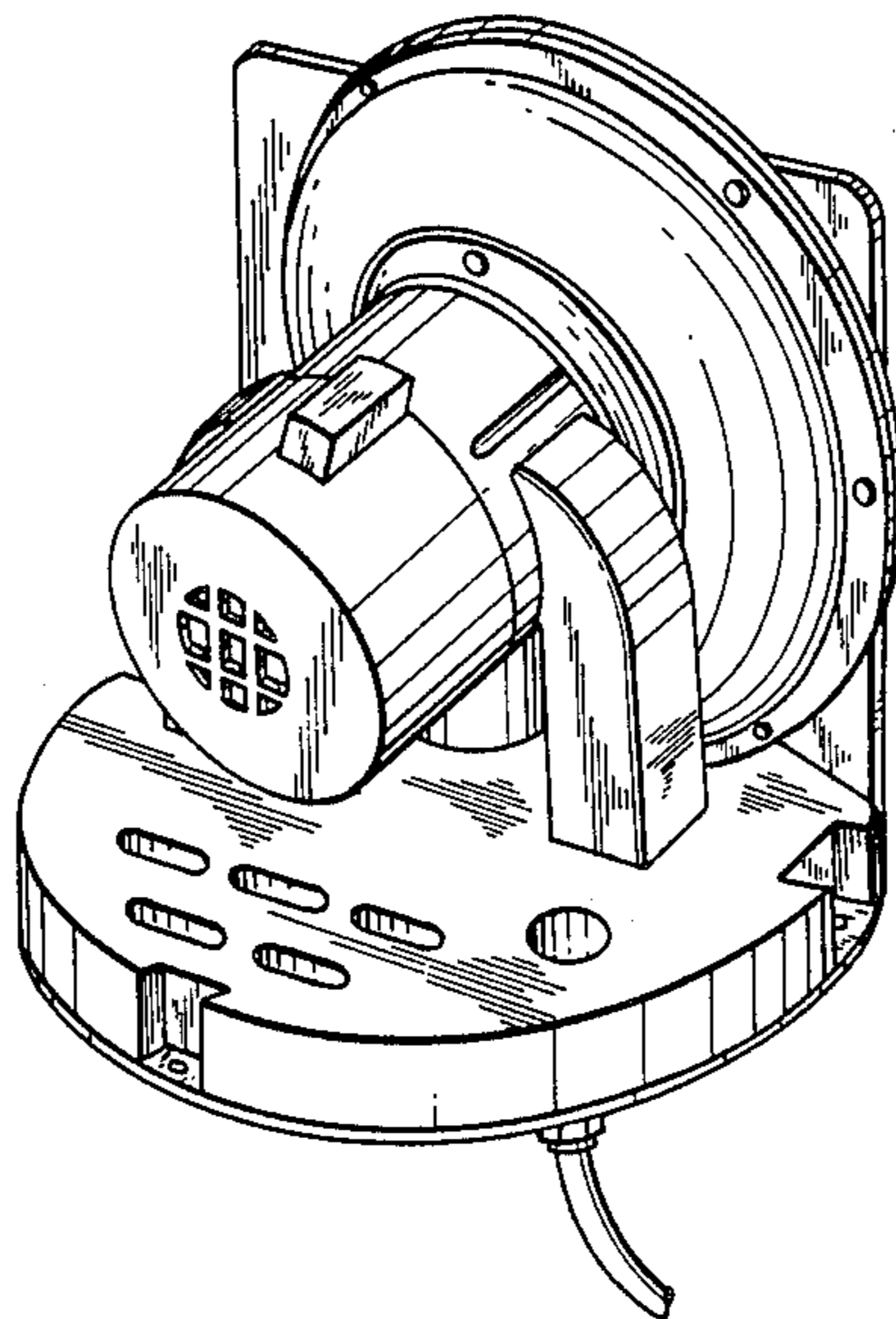


FIG. 1

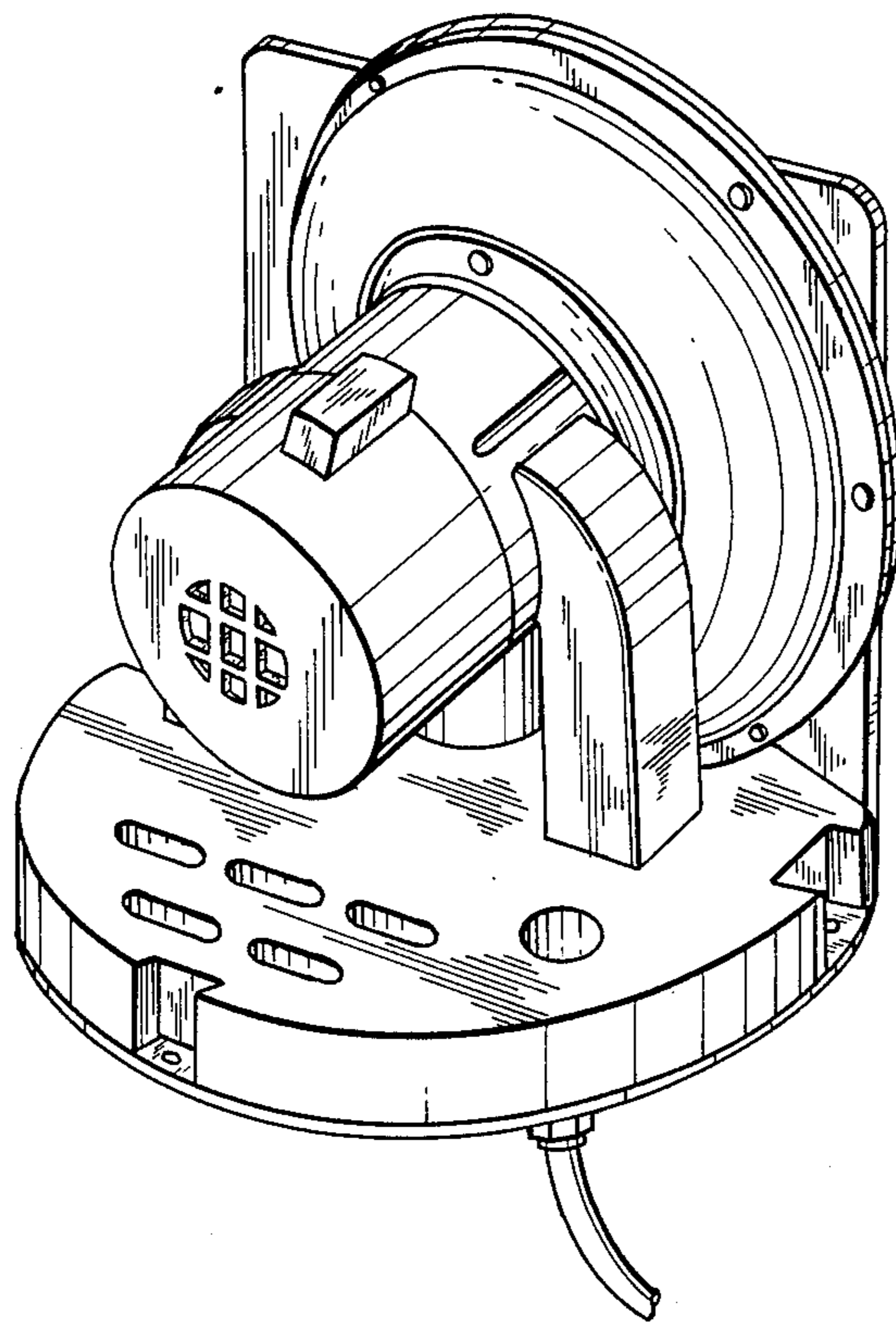


FIG. 2

