

[54] RADIO

[75] Inventors: Paul F. Siegel, Ridgefield; Andrew Mark, Stamford, both of Conn.

[73] Assignee: Salton, Inc., Deerfield, Ill.

[**] Term: 14 Years

[21] Appl. No.: 754,454

[22] Filed: Jul. 12, 1985

[52] U.S. Cl. D14/68

[58] Field of Search D14/1, 5, 7, 36, 68-76, D14/95, 99; 455/73, 89, 90, 344, 347, 350, 351

[56] References Cited

U.S. PATENT DOCUMENTS

D. 212,189	9/1968	Dietrich	D14/2
D. 274,246	6/1984	Aoijis	D14/70 X
D. 275,752	10/1984	Mahan	D14/95 X
D. 277,098	1/1985	Mark	D14/68
D. 287,853	1/1987	Siegel	D14/70

OTHER PUBLICATIONS

Hong Kong Enterprise, 3/85, p. 260, top right, Bathmate AM/FM radio.

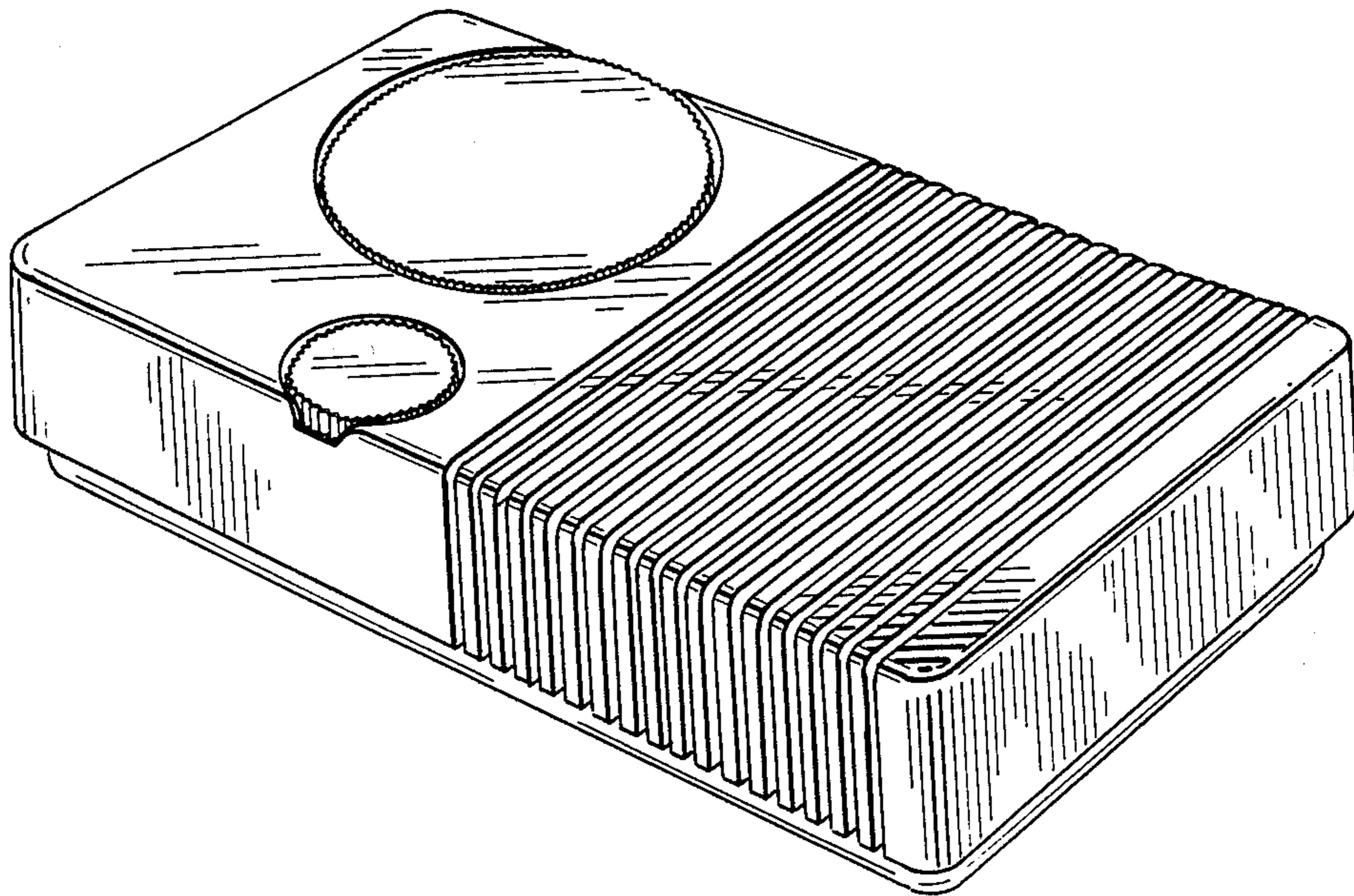
Primary Examiner—Bernard Ansher
Assistant Examiner—Theodore M. Shooman
Attorney, Agent, or Firm—Ronald A. Sandler; Timothy T. Patula

[57] CLAIM

The ornamental design for a radio, as shown.

DESCRIPTION

FIG. 1 is a front, top and leftside perspective view of a radio showing our new design;
FIG. 2 is a front elevational view thereof;
FIG. 3 is a rear elevational view thereof;
FIG. 4 is a top plan view thereof;
FIG. 5 is a right side elevational view thereof;
FIG. 6 is a bottom plan view thereof; and
FIG. 7 is a left side elevational view thereof.



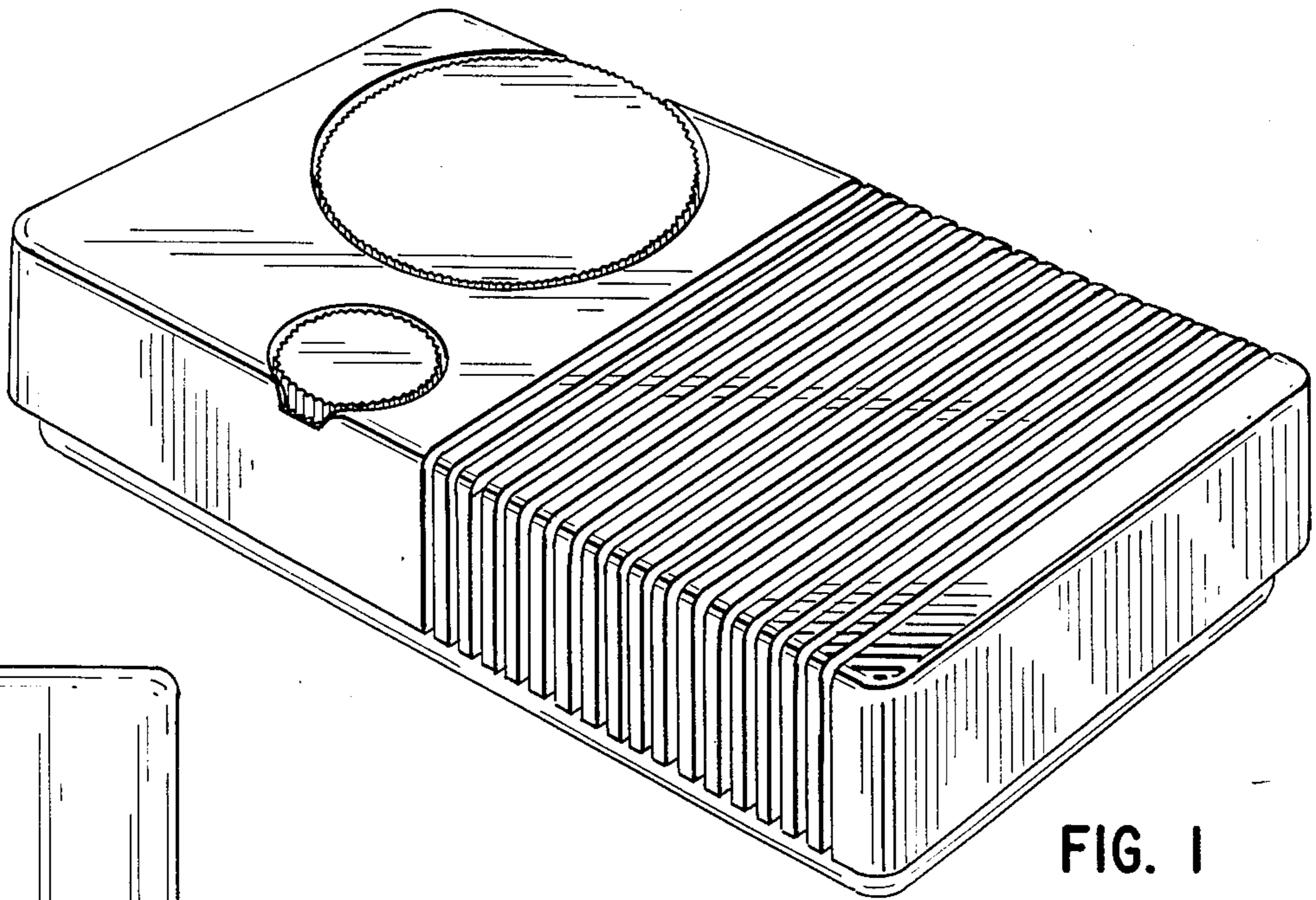


FIG. 1

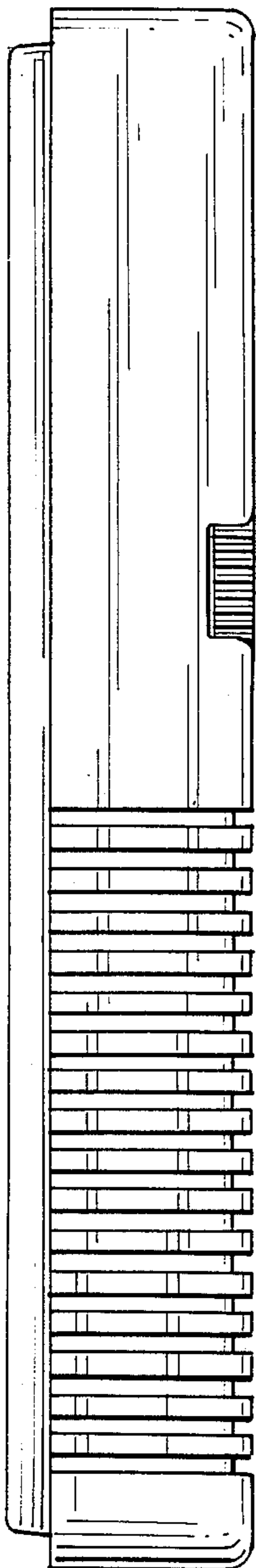


FIG. 7

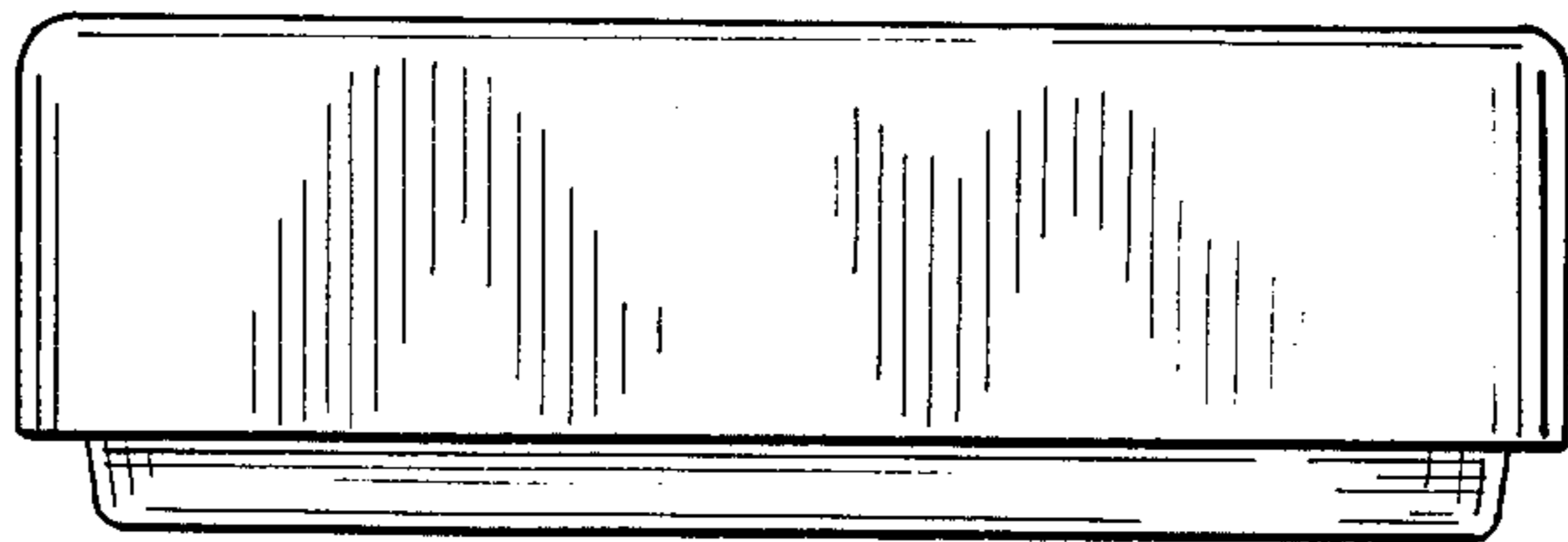


FIG. 2

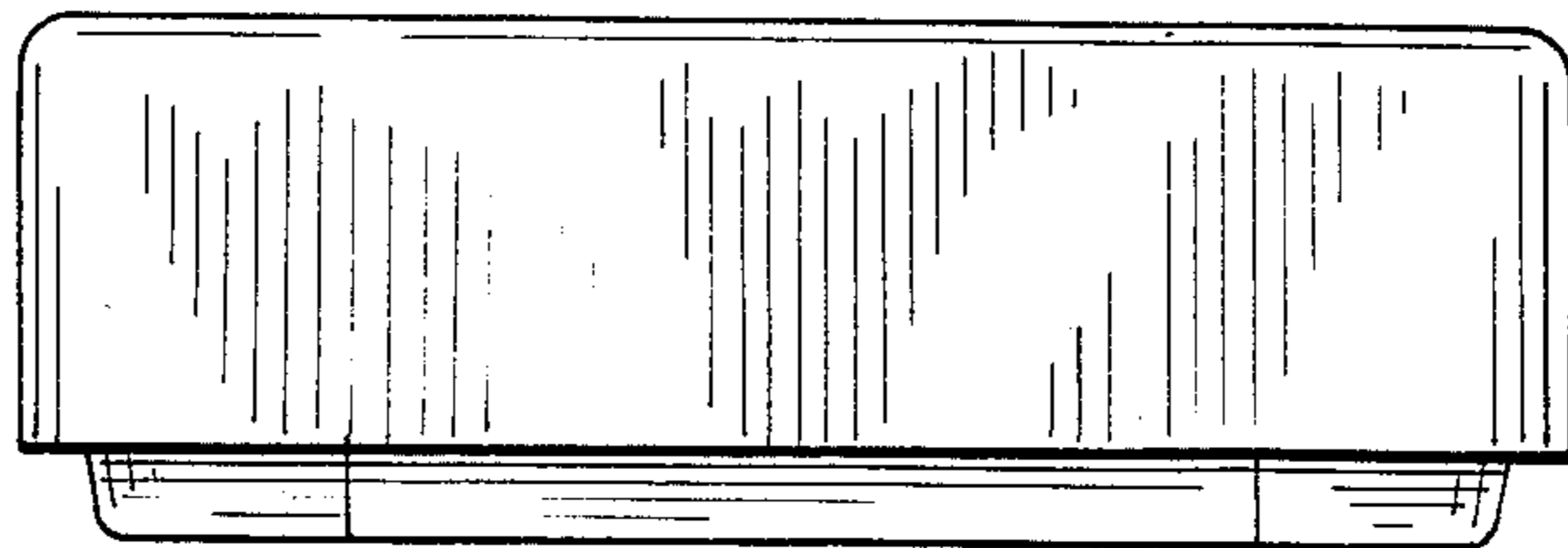


FIG. 3

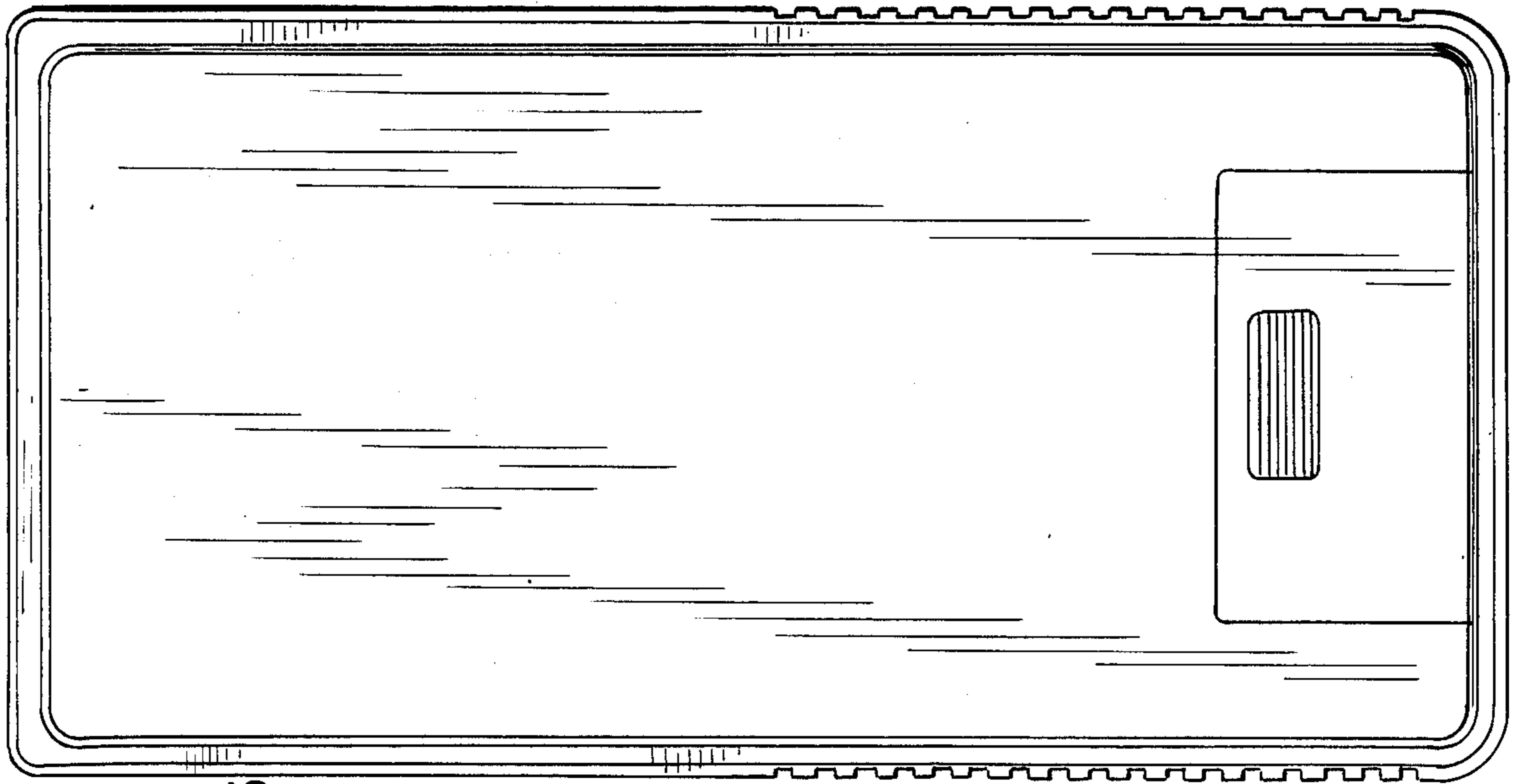


FIG. 6

FIG. 5

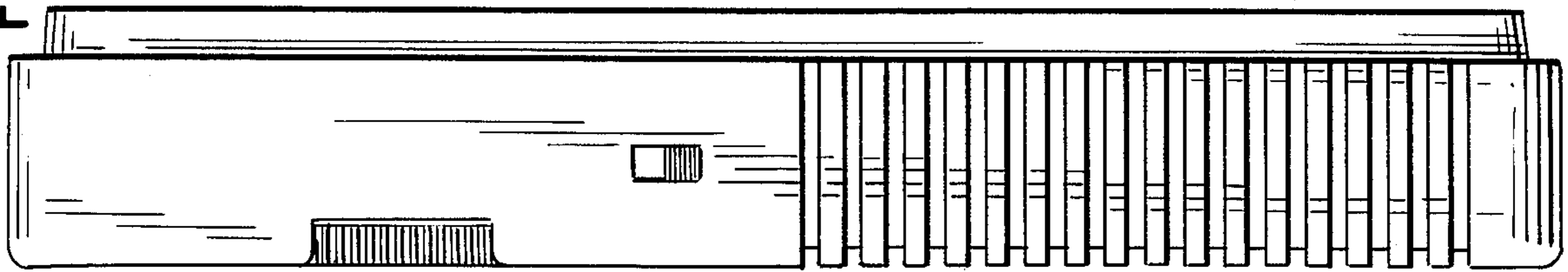


FIG. 4

