

[54] **TELEPHONE INSTRUMENT SET**

[75] **Inventors: John Besford, Ewell; Paul C. Appleby, London, both of England**
[73] **Assignee: British Telecommunications, London, England**
[**] **Term: 14 Years**
[21] **Appl. No.: 910,064**
[22] **Filed: Sep. 22, 1986**

[30] **Foreign Application Priority Data**

Mar. 26, 1986 [GB] United Kingdom 1033067
[52] **U.S. Cl. D14/53; D14/60; D14/64; D14/57**
[58] **Field of Search D14/52, 53, 60, 64, D14/63, 57; 379/419, 420, 428, 432, 433, 434, 435, 436, 440**

[56] **References Cited**

U.S. PATENT DOCUMENTS

D. 284,571	7/1986	Marshall	D14/60	X
D. 289,042	3/1987	Bond	D14/53	
D. 289,520	4/1987	Pushelberg	D14/60	X
D. 289,641	5/1987	Brown et al.	D14/53	
D. 291,439	8/1987	Wu	D14/57	X
D. 291,561	8/1987	Nozawa et al.	D14/52	X

OTHER PUBLICATIONS

Berichte, Mar. 1986, *FORM*; model A&G, "Redimensional", telephone handset.

Primary Examiner—Horace B. Fay
Assistant Examiner—Horace B. Fay
Attorney, Agent, or Firm—Nixon & Vanderhye

[57] **CLAIM**

The ornamental design for telephone instrument set, as shown and described.

DESCRIPTION

FIG. 1 is a front, top and right side perspective view of a telephone instrument set showing our new design with a removable handset in cradled position and the stand's antenna raised;
FIG. 2 is a left side elevational view thereof;
FIG. 3 is a bottom plan view thereof;
FIG. 4 is a rear elevational view thereof;
FIG. 5 is a left side elevational view of the handset shown independently for clarity of illustration; and
FIG. 6 is a front, top and right side perspective view of the stand, and a right side, top and front perspective view of the handset inverted, with the stand and handset shown thus in bracketed relationship separately for additional clarity of representation.

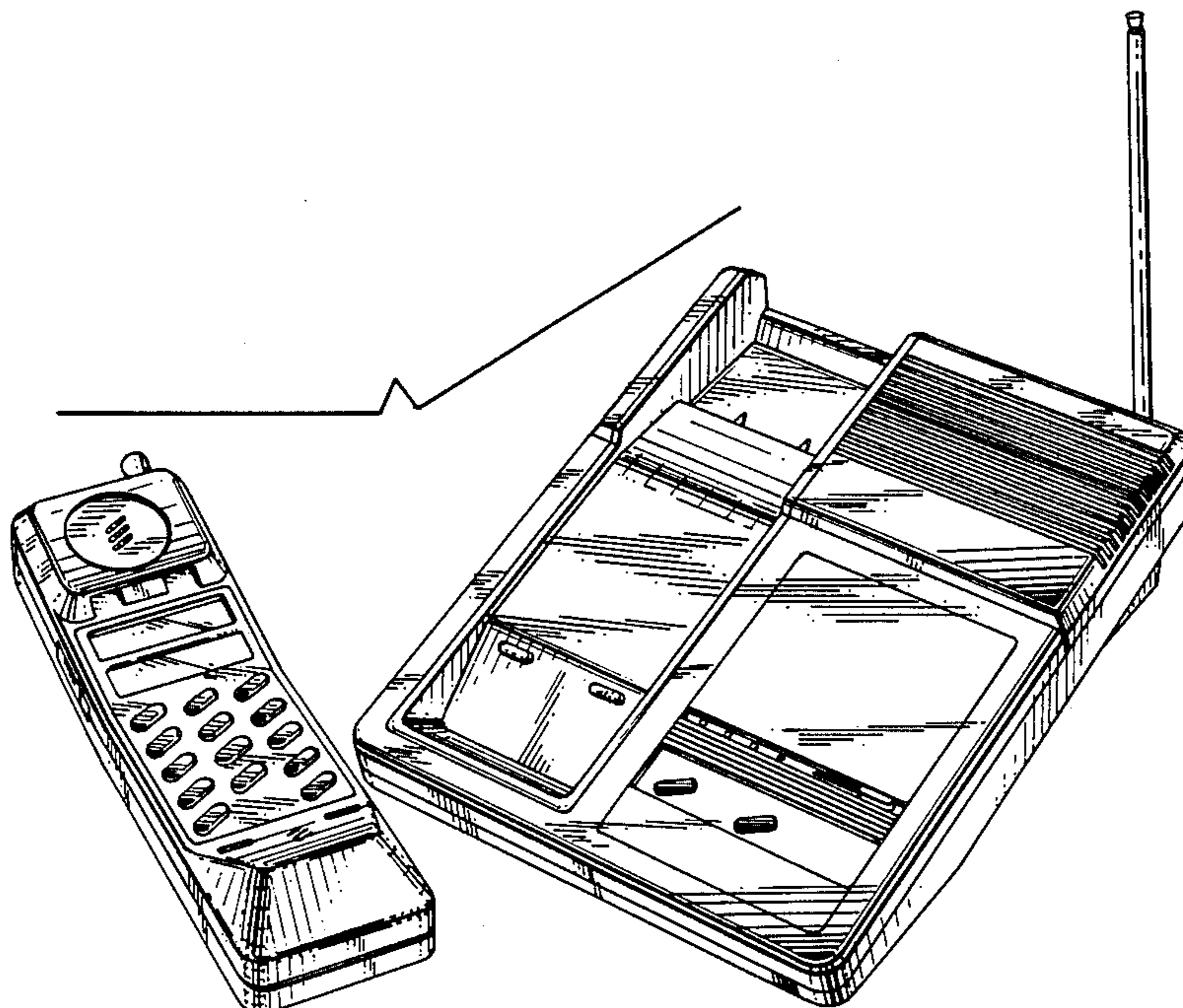
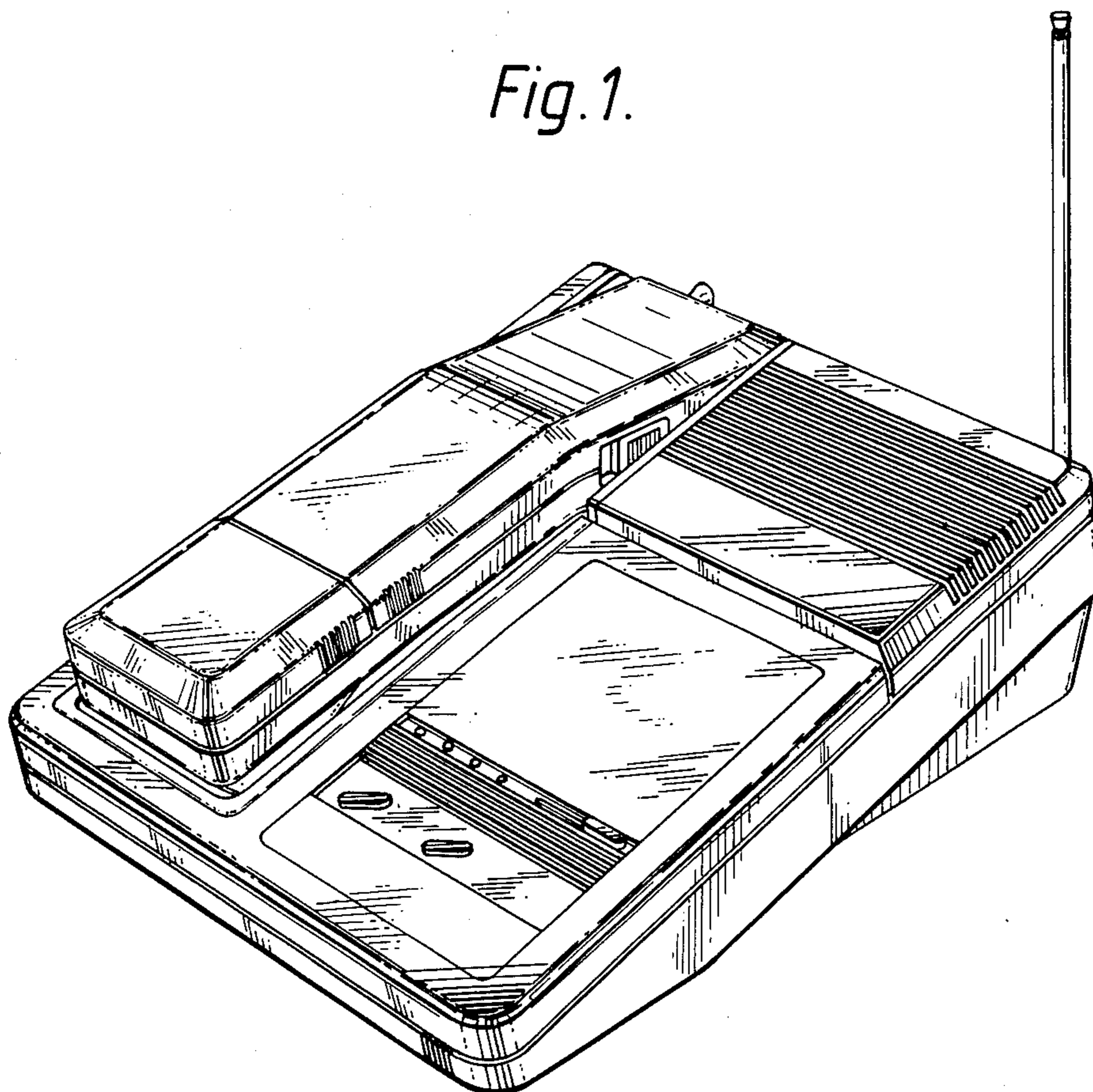


Fig. 1.



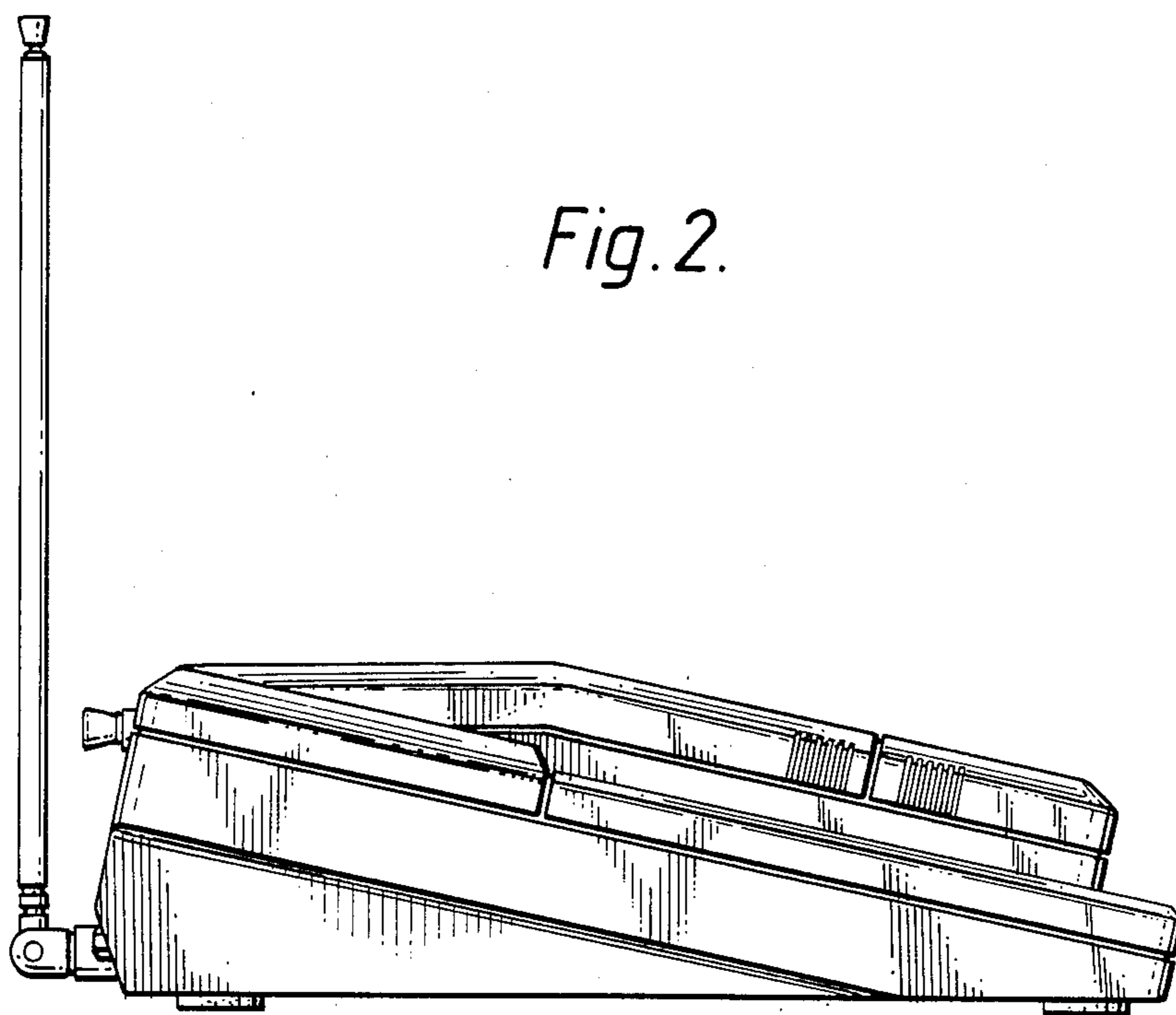


Fig. 2.

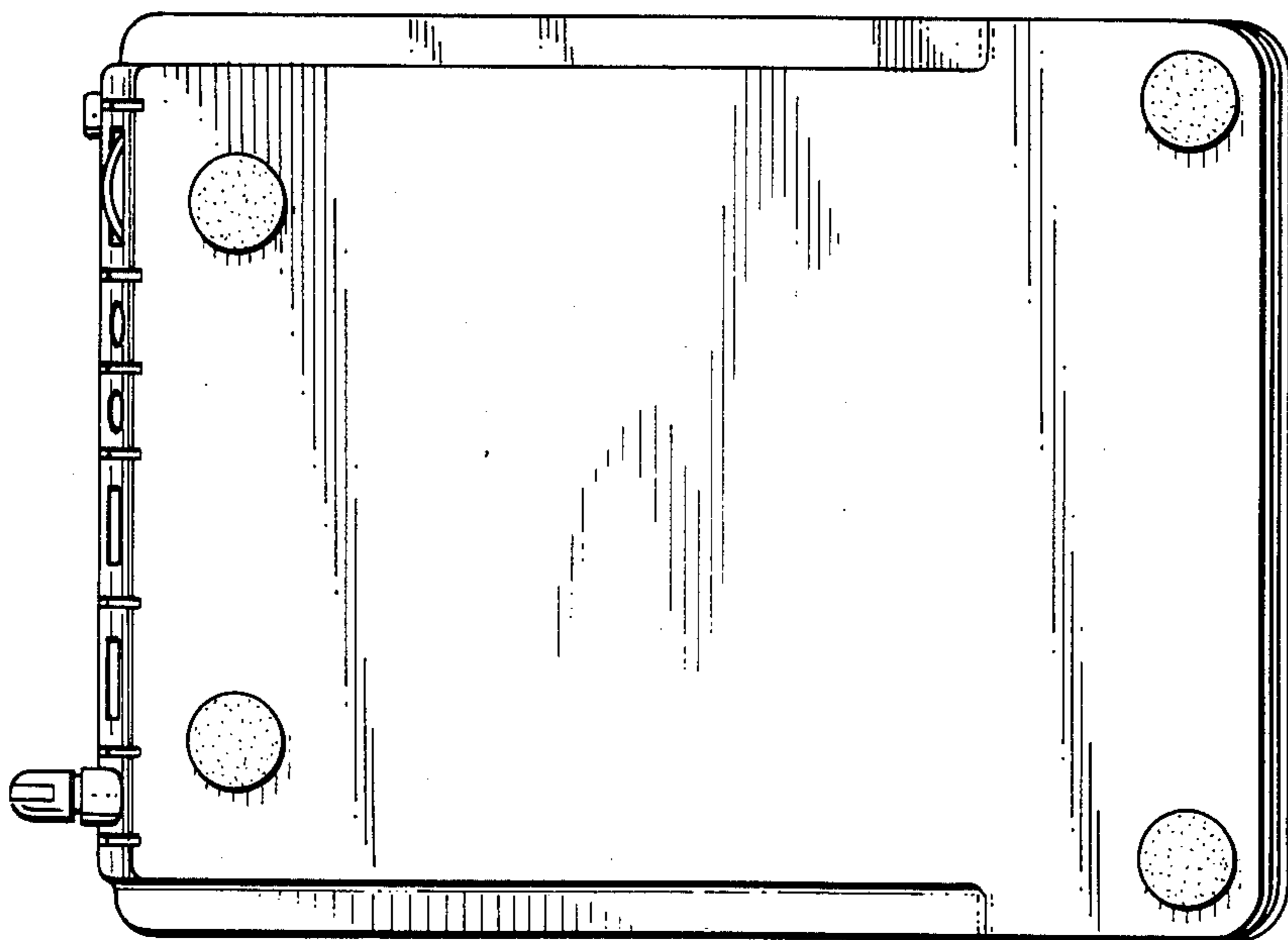


Fig. 3.

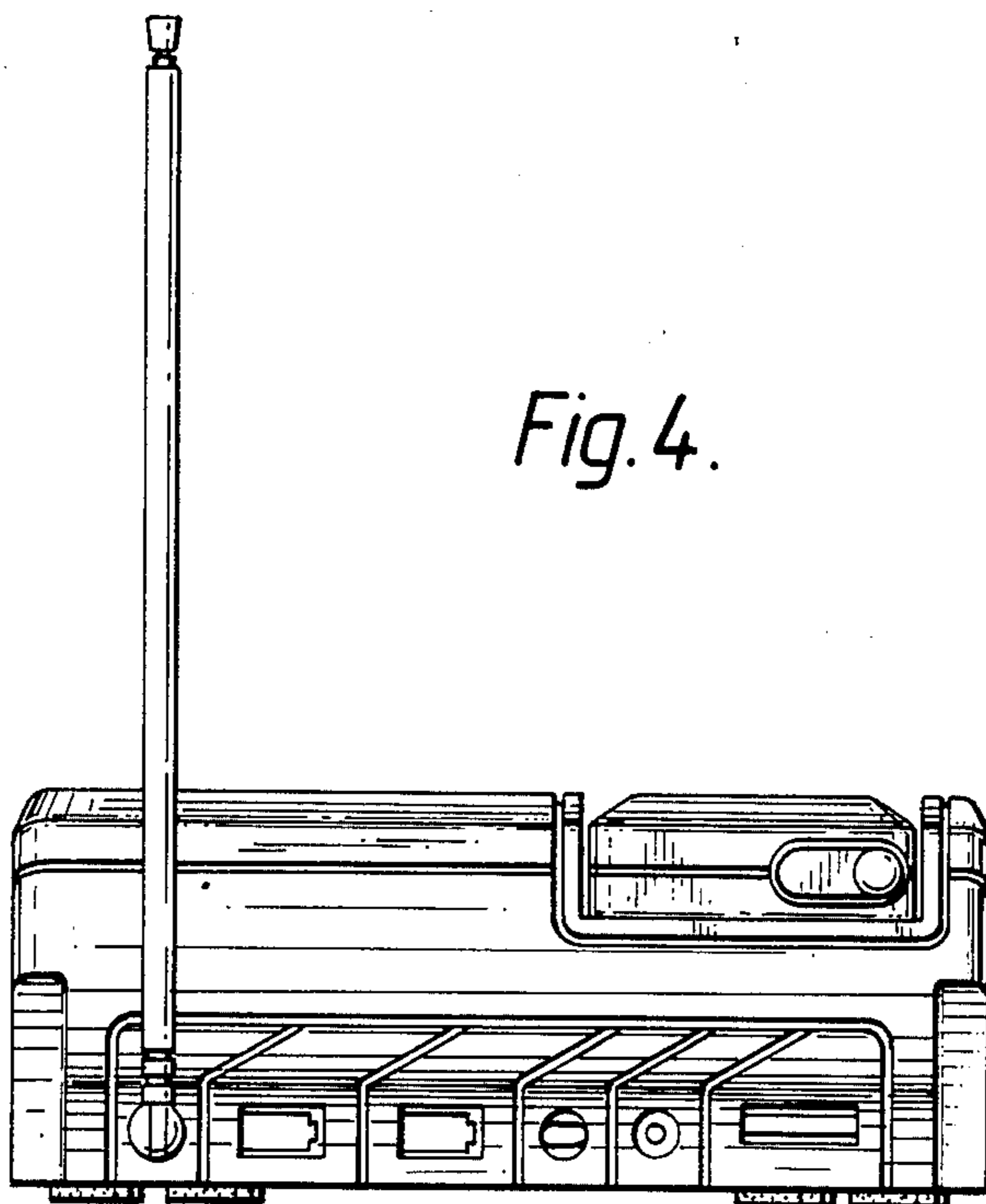


Fig. 4.

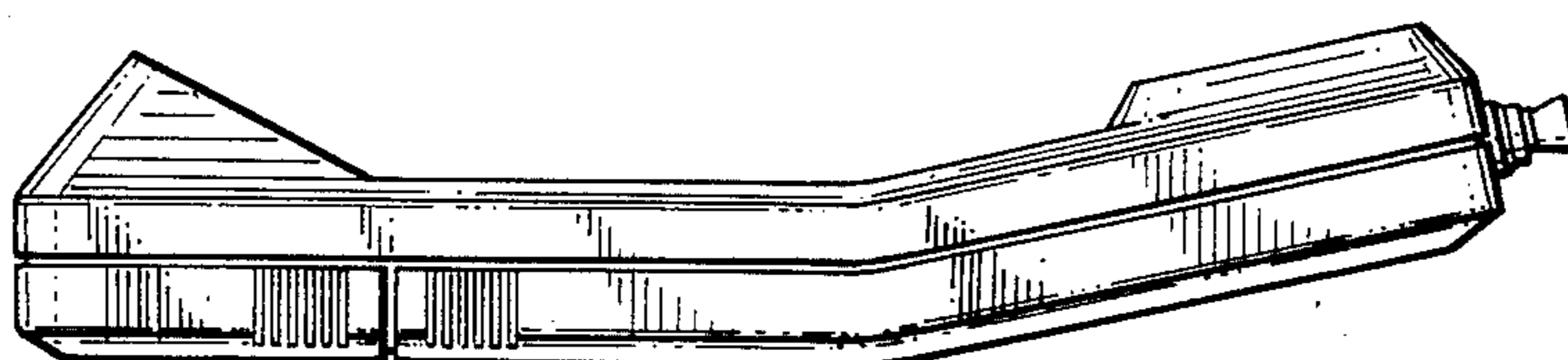


Fig. 5.

