

[54] COMBINED CASSETTE TAPE RECORDER AND COMPACT DISC PLAYER

D. 280,503 9/1985 Onozaki et al. D14/14 X
D. 281,494 11/1985 Sujani D14/72 X

[75] Inventor: Bon H. Koo, Kyungki, Rep. of Korea

OTHER PUBLICATIONS

[73] Assignee: Goldstar Co., Ltd., Seoul, Rep. of Korea

Best Products, 1984/85 catalog, p. 289, Item 6-Toshiba AM/FM Stereo Cassette Model RT-SX2.

[**] Term: 14 Years

Primary Examiner—Bernard Ansher
Assistant Examiner—Theodore M. Shooman
Attorney, Agent, or Firm—Birch, Stewart, Kolasch & Birch

[21] Appl. No.: 813,829

[22] Filed: Dec. 27, 1985

[57] CLAIM

[30] Foreign Application Priority Data

Jun. 29, 1985 [KR] Rep. of Korea 85-9059

The ornamental design for a combined cassette tape recorder and compact disc player, as shown.

[52] U.S. Cl. D14/5; D14/6

[58] Field of Search D14/1, 2, 5, 6, 68, D14/70, 71, 72, 99, 14, 17, 20; 455/344, 347, 348, 349, 350, 351

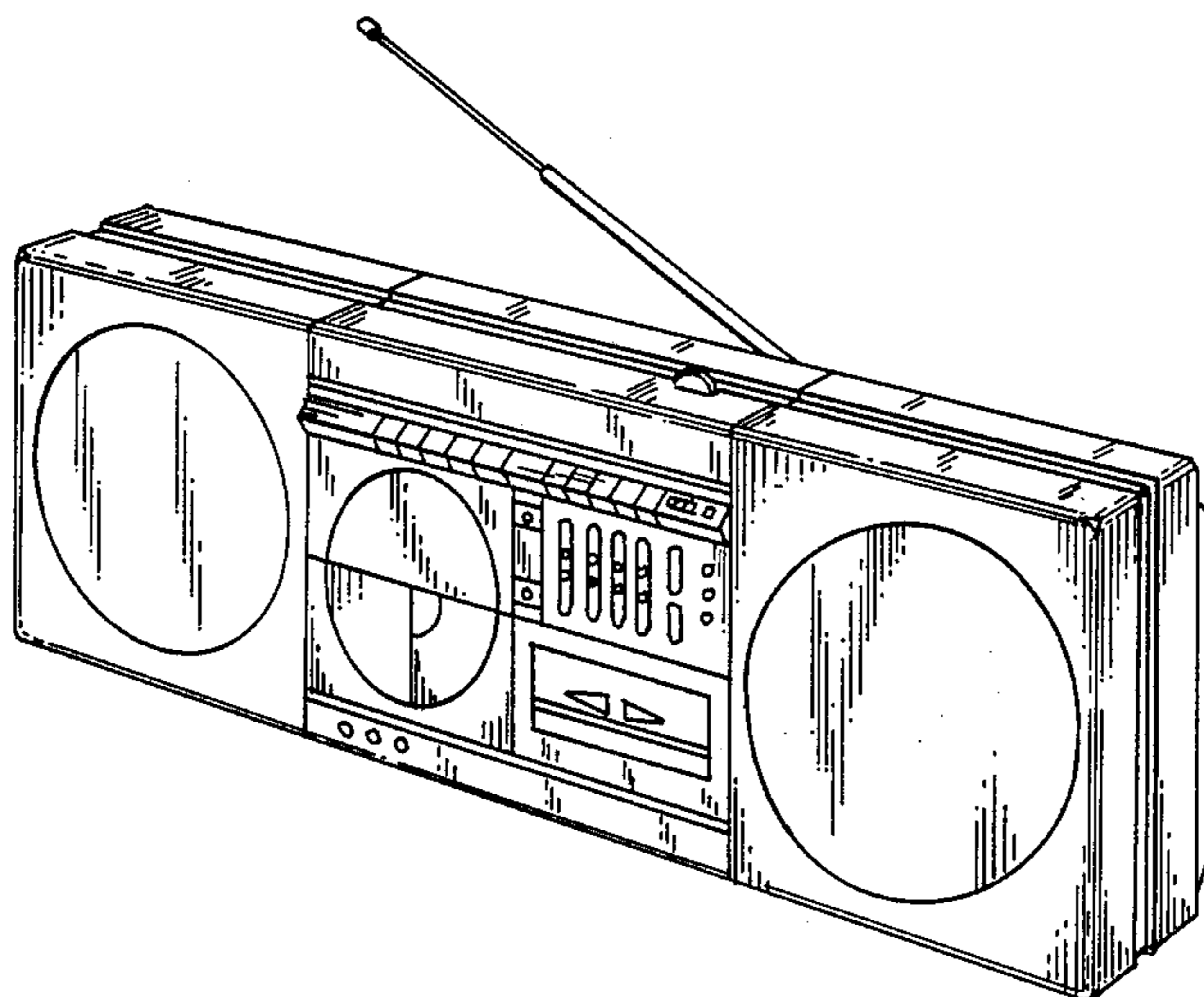
DESCRIPTION

[56] References Cited

U.S. PATENT DOCUMENTS

- D. 268,670 4/1983 Iwaoka et al. D14/1
- D. 276,804 12/1984 Taniguchi et al. D14/5
- D. 276,908 12/1984 Kido et al. D14/5
- D. 277,751 2/1985 Ohno et al. D14/5

FIG. 1 is a top, front and right side perspective view of a combined cassette tape recorder and compact disc player showing my new design;
FIG. 2 is a bottom plan view thereof;
FIG. 3 is a front elevational view thereof;
FIG. 4 is a top plan view thereof;
FIG. 5 is a rear elevational view thereof;
FIG. 6 is a right side elevational view thereof; and
FIG. 7 is a left side elevational view thereof.



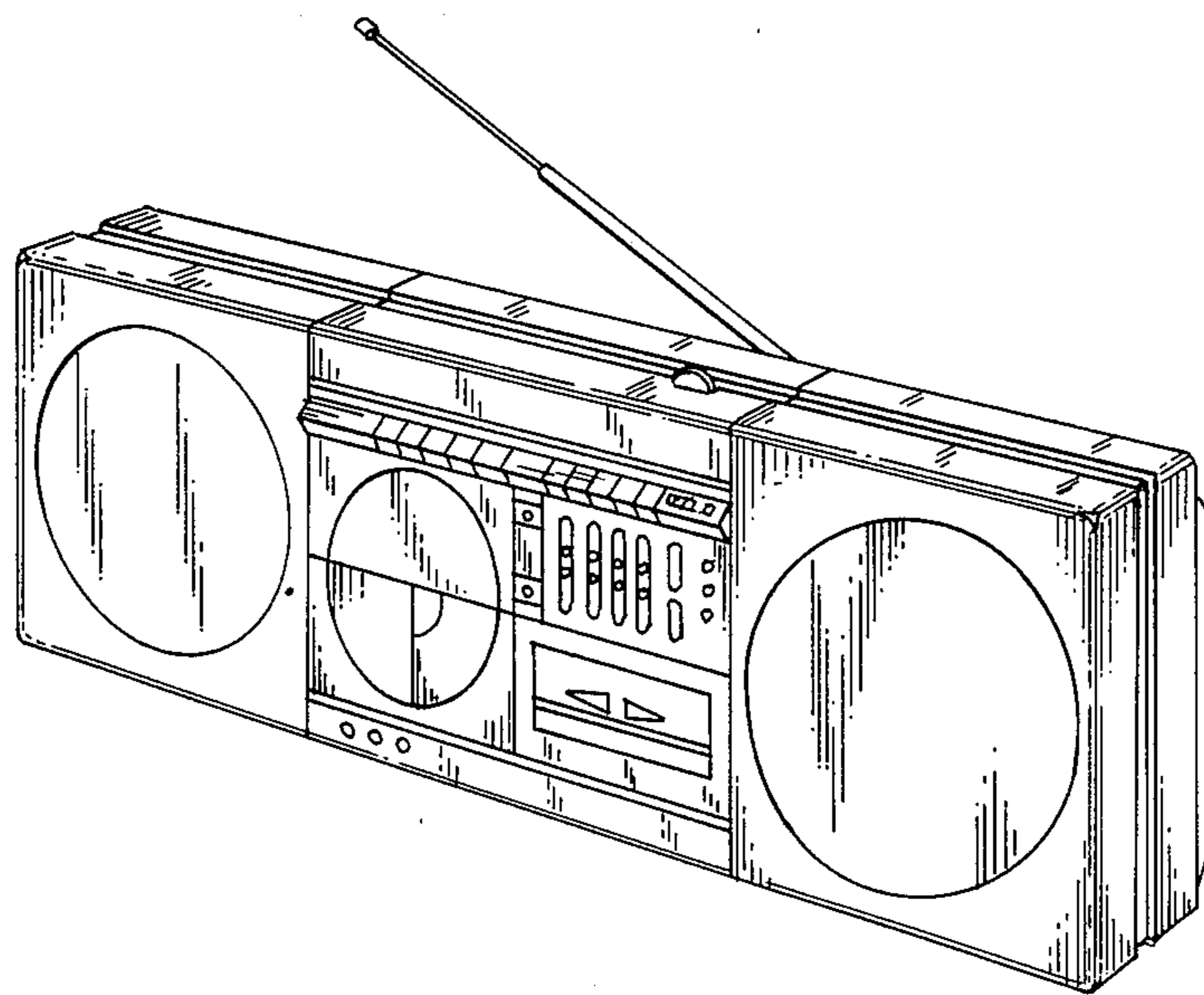


FIG. 1

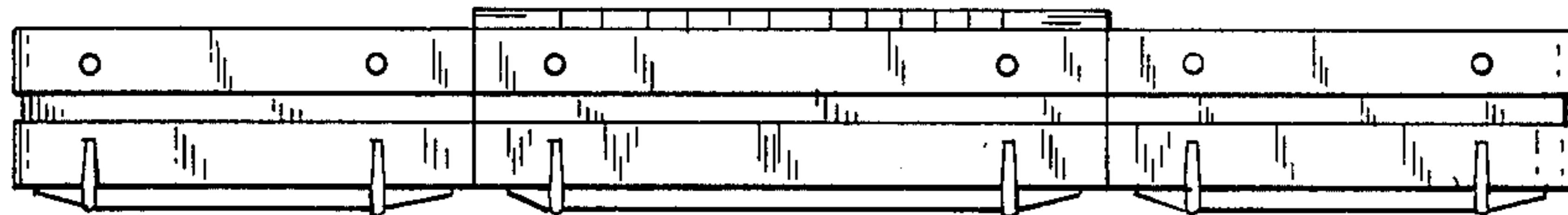


FIG. 2

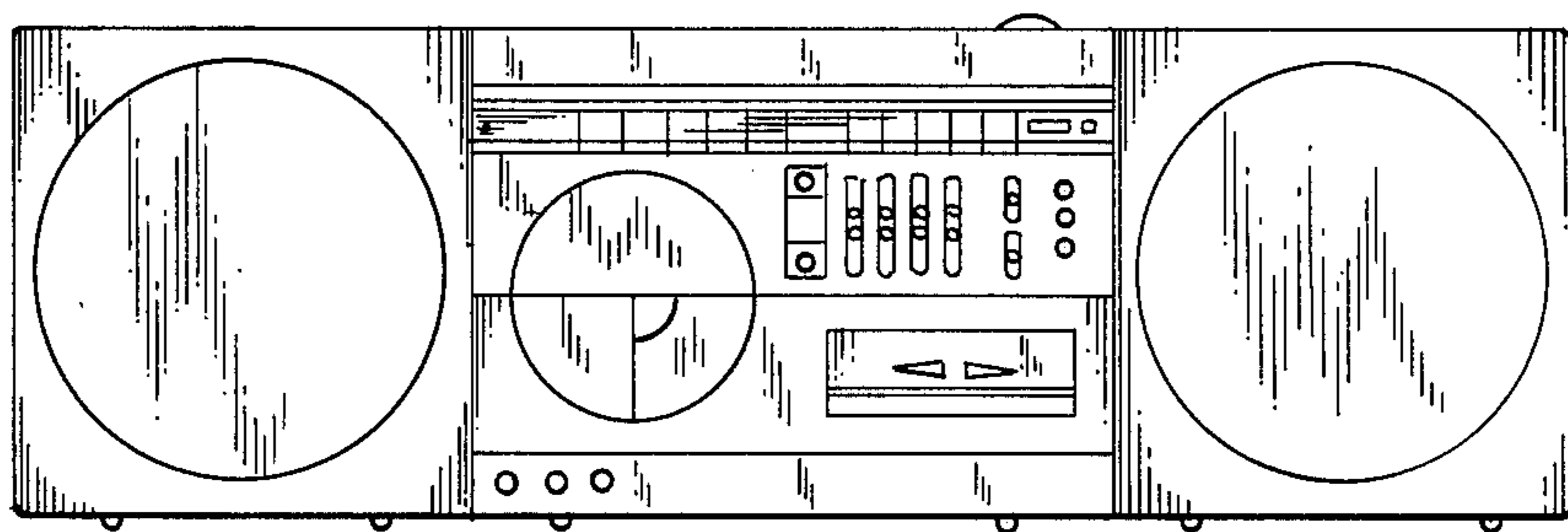


FIG. 3

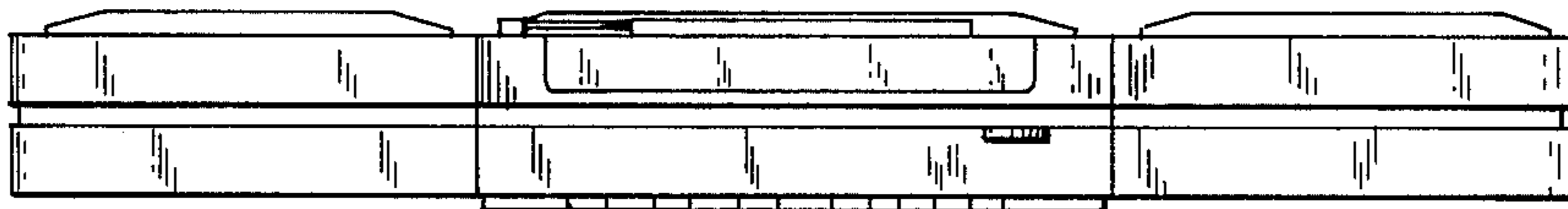


FIG. 4

FIG. 5

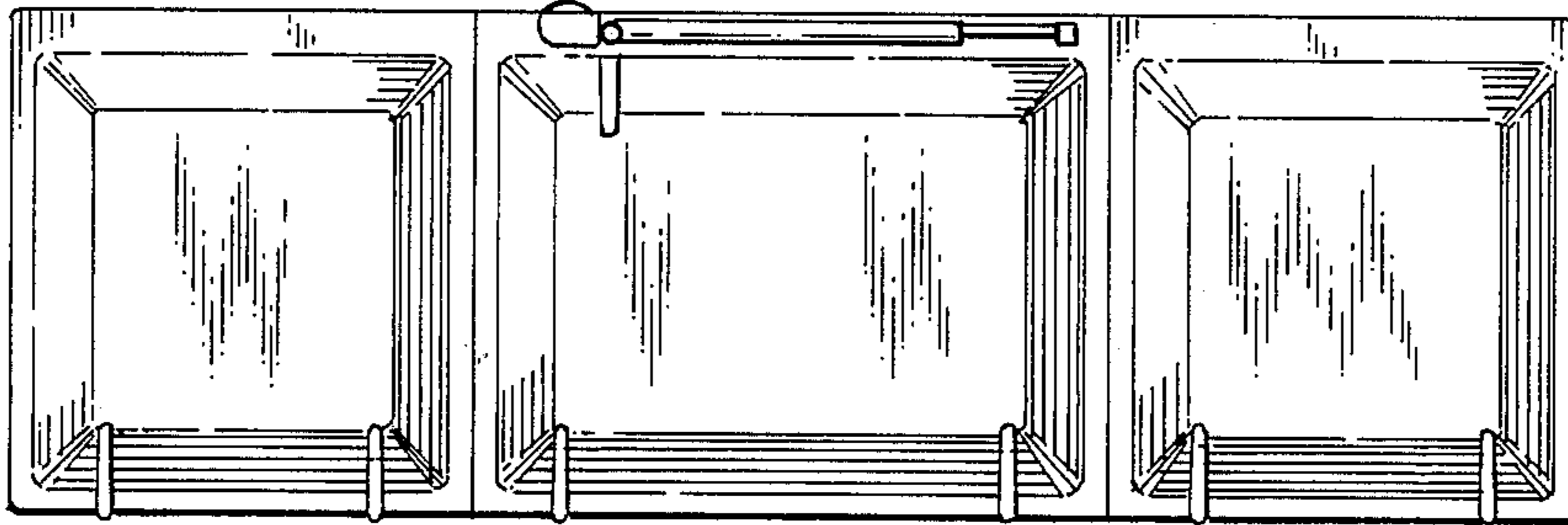


FIG. 6

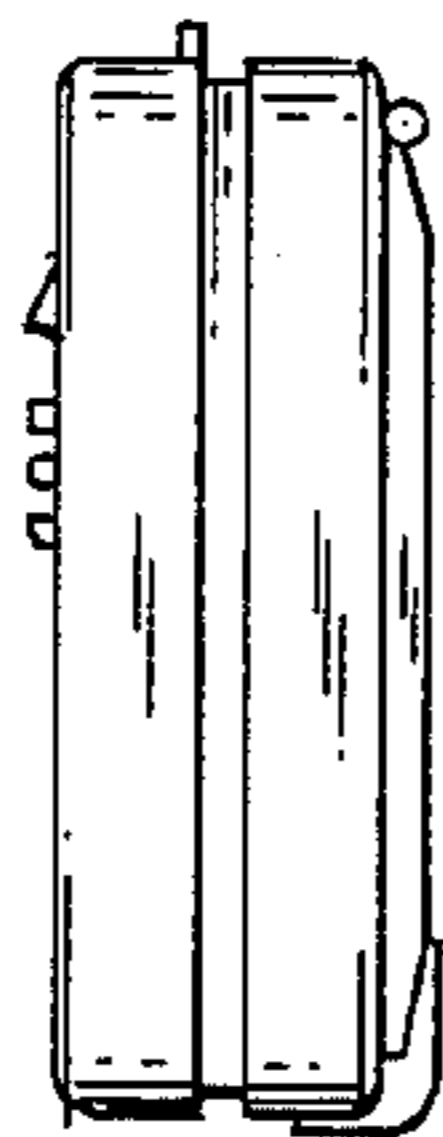


FIG. 7

