

[54] COMBINED WRISTWATCH AND CONTAINER

[75] Inventors: Lawrence T. Jones, Los Angeles; Paul J. Ishikawa, Hermosa Beach, both of Calif.

[73] Assignee: California R & D Center, Culver City, Calif.

[\*\*] Term: 14 Years

[21] Appl. No.: 822,743

[22] Filed: Jan. 27, 1986

[52] U.S. Cl. .... D10/31; D10/30; D10/38

[58] Field of Search ..... D10/30-39; 368/10, 11, 239-242, 276-277, 285, 280-282

[56] References Cited

U.S. PATENT DOCUMENTS

- D. 236,592 9/1975 Portmann ..... D10/32
- D. 238,758 2/1976 Schulthess ..... D10/38
- D. 249,024 8/1978 Ackerman ..... D10/38 X

OTHER PUBLICATIONS

*Swiss Watch & Jewelry Journal*-3/76-p. 331-Watch at center.

*Swiss Watch & Jewelry Journal*-2/81-p. 196-Watch.

*European Jeweler*-10/81-p. 121-Twin-Time Watch.

*Primary Examiner*-Nelson C. Holtje

*Attorney, Agent, or Firm*-Price, Gess & Ubell

[57] CLAIM

The ornamental design for a combined wristwatch and container, as shown and described.

DESCRIPTION

FIG. 1 is a top and left front perspective view of a combined wristwatch and container showing our new design, the broken line showing of a wristband is environmental only and forms no part of the claimed design; FIG. 2 is a perspective view thereof with the lid of the container open;

FIG. 3 is a top plan view thereof;

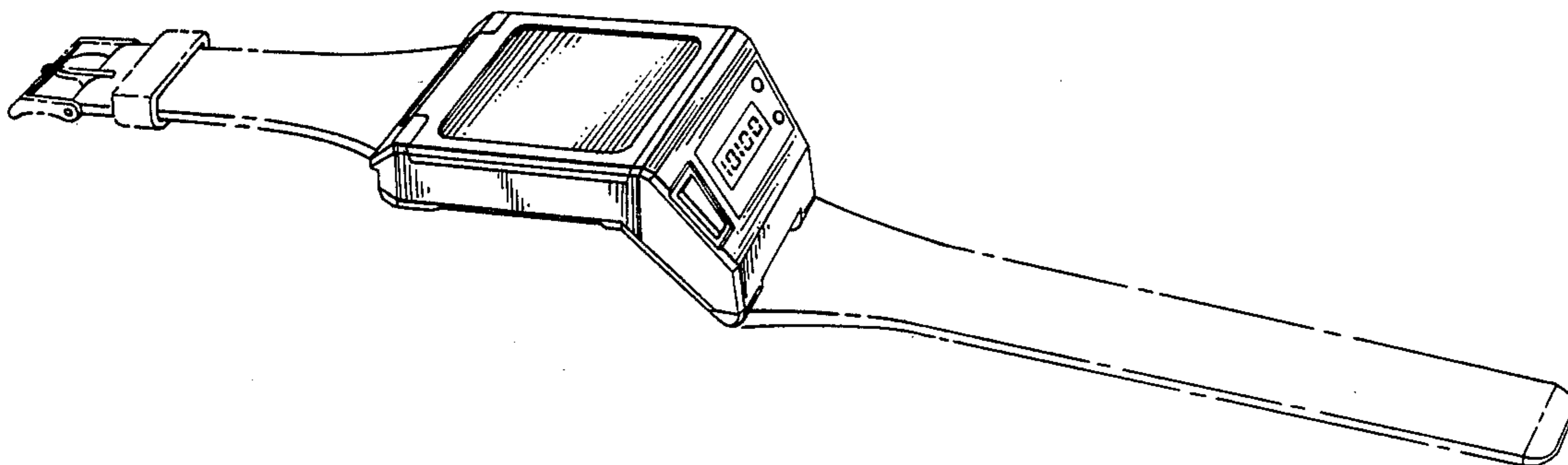
FIG. 4 is a bottom plan view thereof;

FIG. 5 is a left side elevational view thereof;

FIG. 6 is a right side elevational view thereof;

FIG. 7 is a front elevational view thereof; and

FIG. 8 is a rear elevational view thereof.



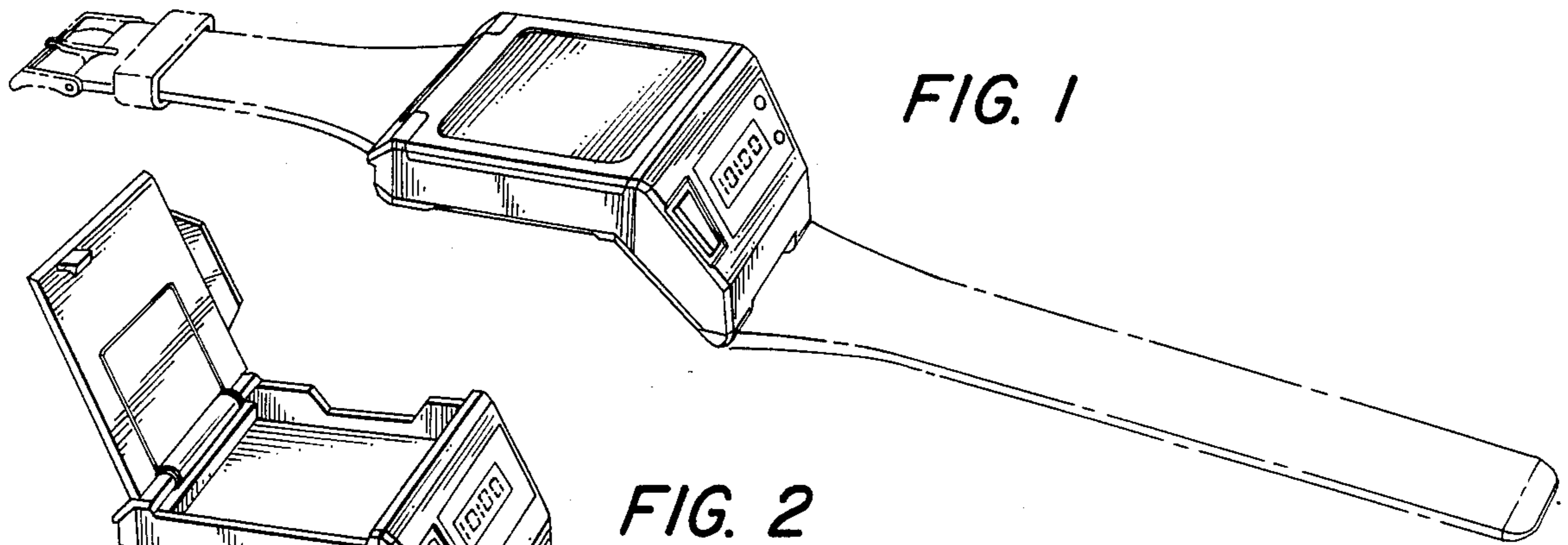


FIG. 1

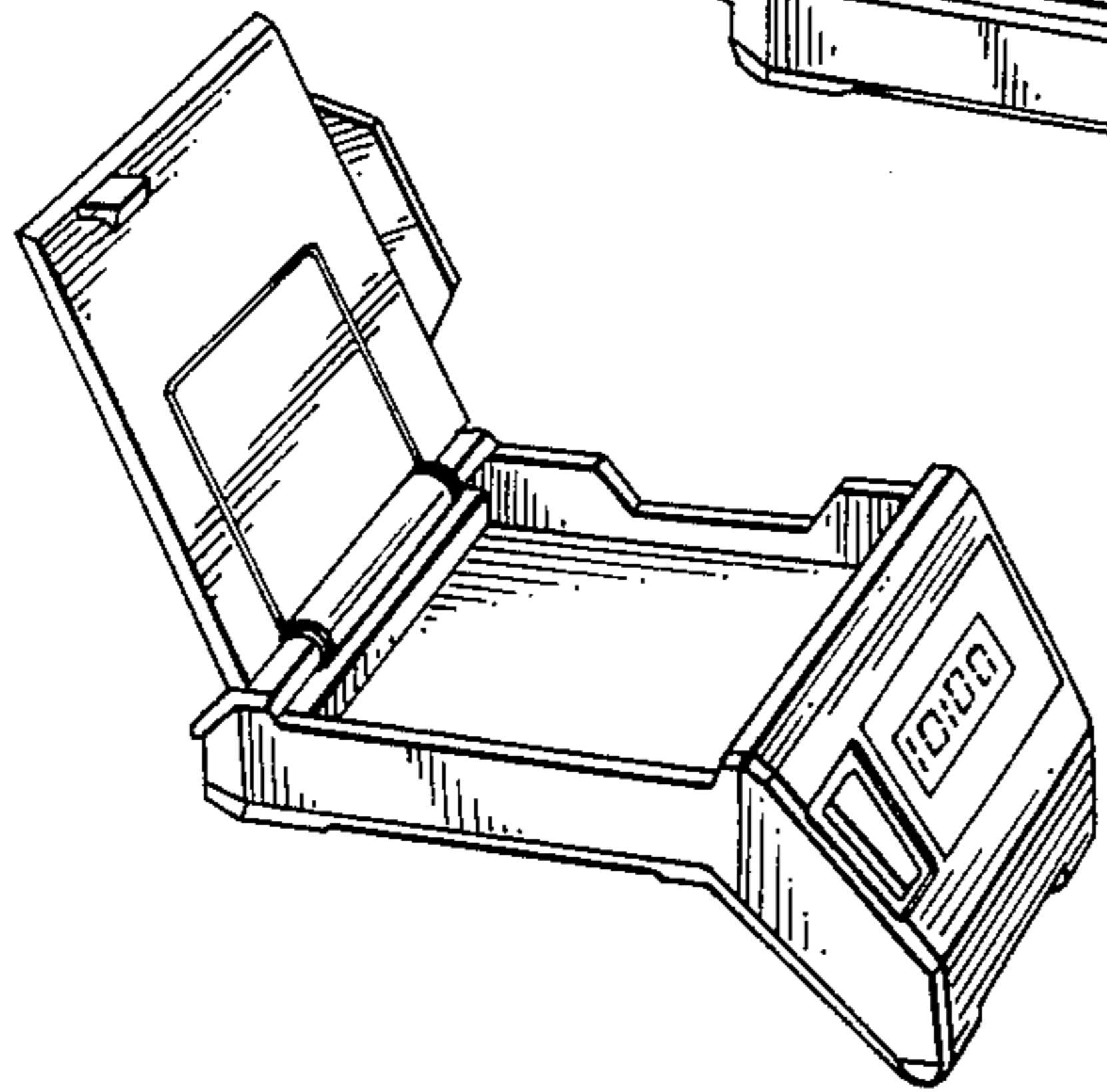


FIG. 2

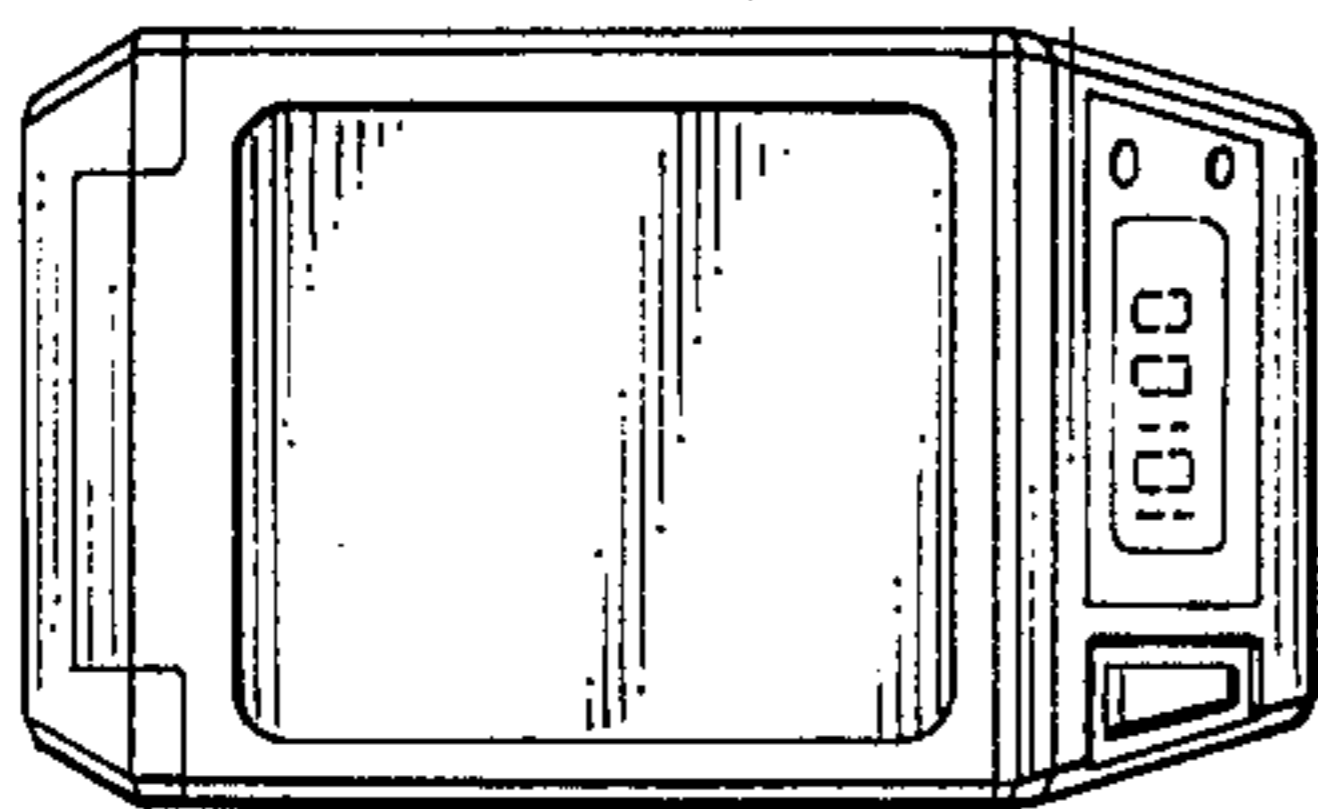


FIG. 3

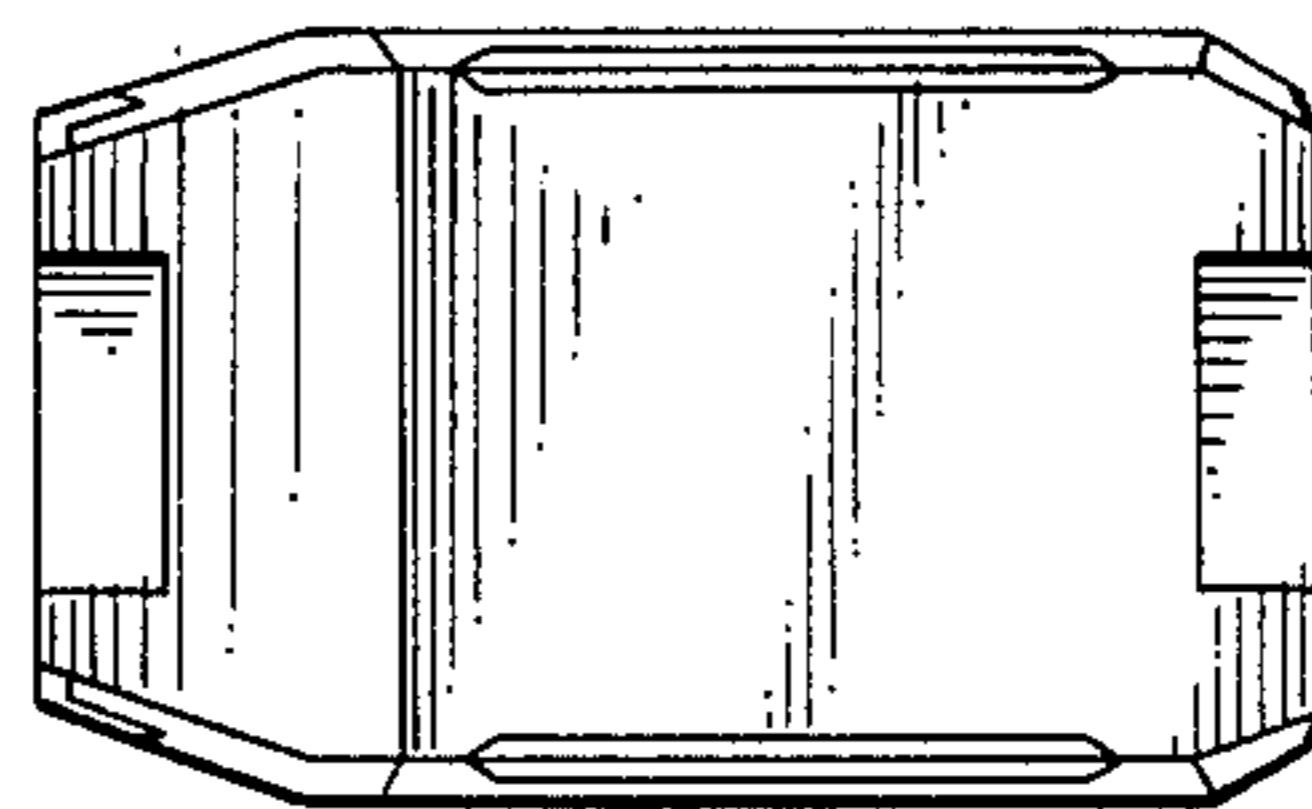


FIG. 4

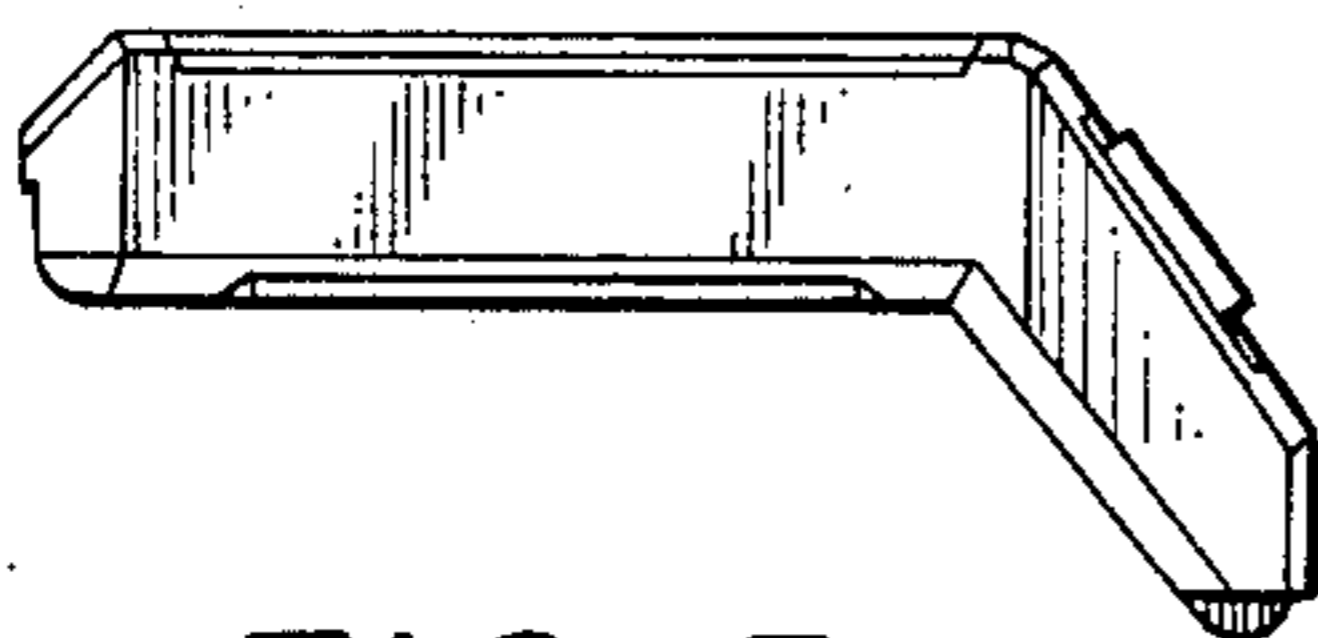


FIG. 5

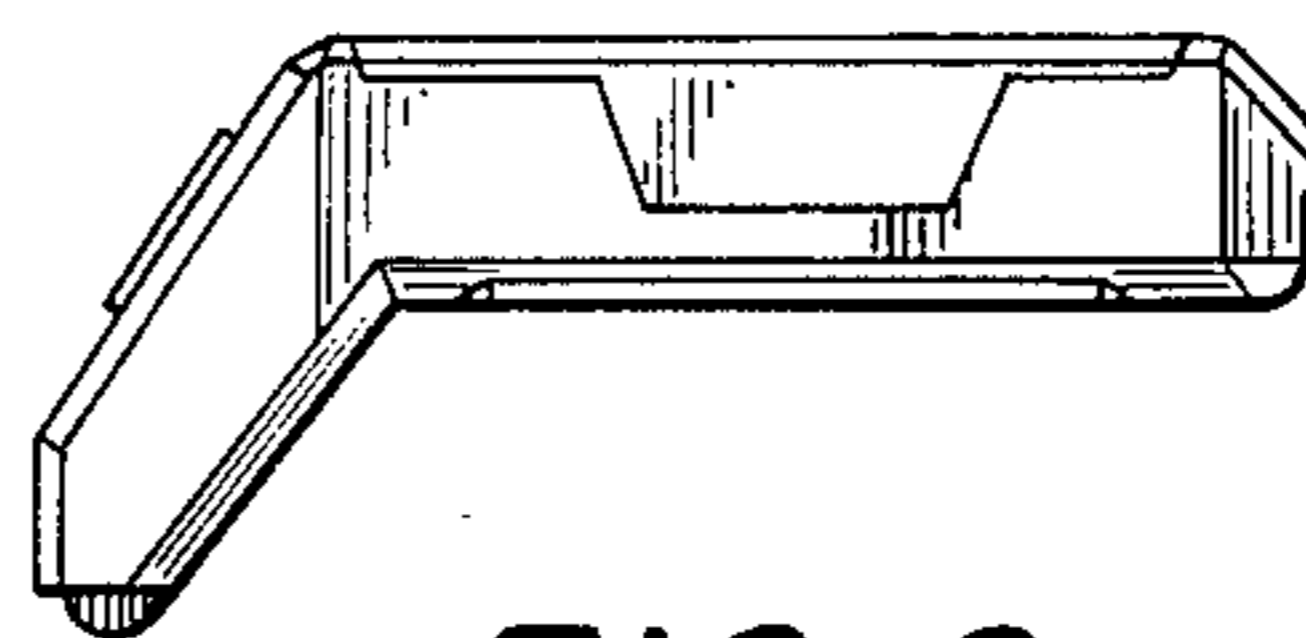


FIG. 6

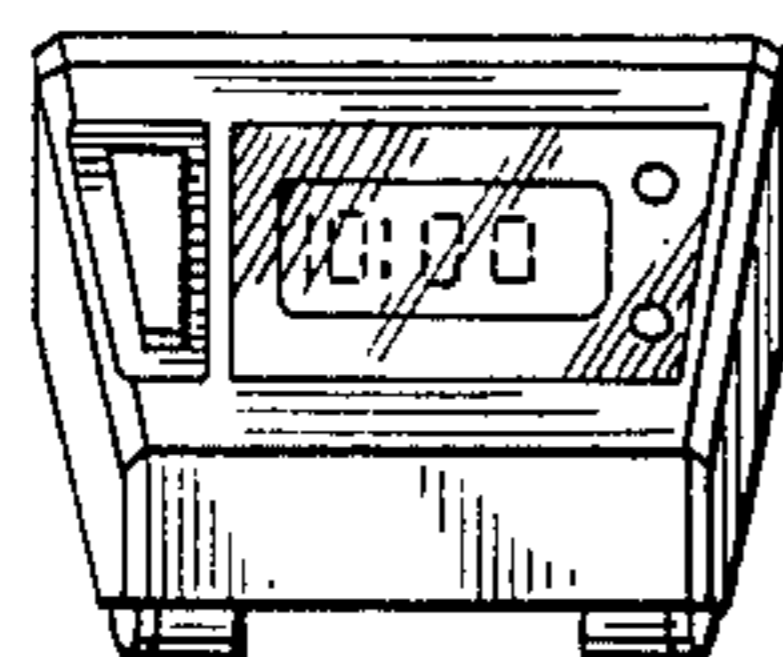


FIG. 7

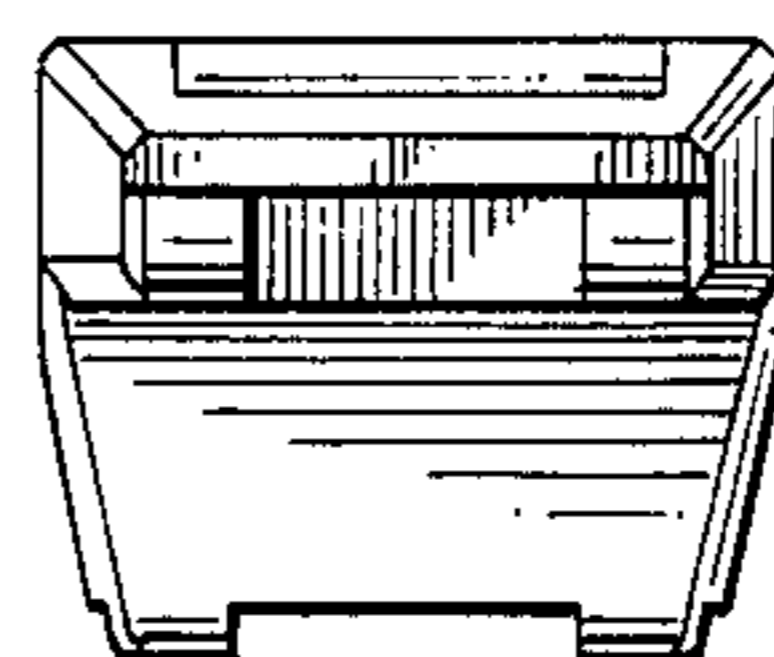


FIG. 8