

[54] STORAGE CONTAINER FOR HYPODERMIC SYRINGES

[76] Inventor: Alfred R. Jordan, 3765 Blake St., Denver, Colo. 80205

[**] Term: 14 Years

[21] Appl. No.: 782,082

[22] Filed: Sep. 30, 1985

[52] U.S. Cl. D9/431

[58] Field of Search D34/40, 42; D9/414, D9/424, 425, 431, 432; 220/1 R, 1 A, 23.83; 206/515, 516, 518, 520

[56] References Cited

U.S. PATENT DOCUMENTS

- D. 201,398 6/1985 Burns et al. D9/425
- D. 211,859 8/1968 Tishuk D9/427
- D. 239,695 4/1976 Fier, Jr. D9/431
- D. 243,388 2/1977 Dumas D9/431
- D. 248,090 6/1978 Box D9/424
- D. 257,528 11/1980 Cherry D34/40 X

- D. 283,487 4/1986 Holewinski D9/431 X
- 3,338,468 8/1967 Wilson D9/425 X
- 3,383,009 5/1968 Weikert D9/425 X

Primary Examiner—Robert C. Spangler
Attorney, Agent, or Firm—W. Scott Carson

[57] CLAIM

The ornamental design for a storage container for hypodermic syringes, as shown and described.

DESCRIPTION

FIG. 1 is a perspective view of a storage container for hypodermic syringes showing my new design;
 FIG. 2 is a front elevational view thereof;
 FIG. 3 is a side elevational view thereof taken along line 3—3 of FIG. 2, the opposite side being substantially a mirror image thereof;
 FIG. 4 is a rear elevational view thereof taken along line 4—4 of FIG. 3;
 FIG. 5 is a top plan view thereof taken along line 5—5 of FIG. 4; and
 FIG. 6 is a bottom plan view thereof taken along line 6—6 of FIG. 4.

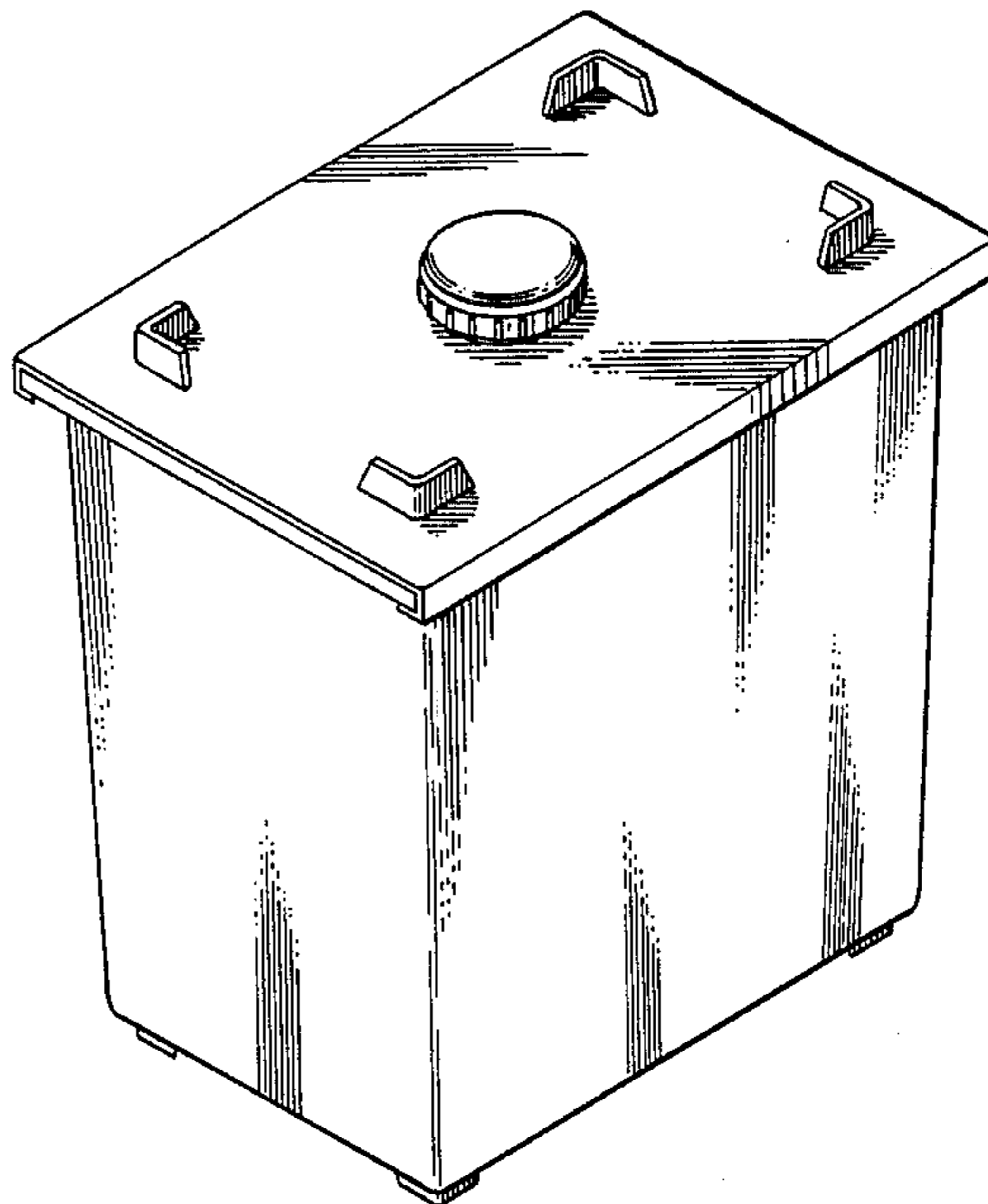


Fig. 1

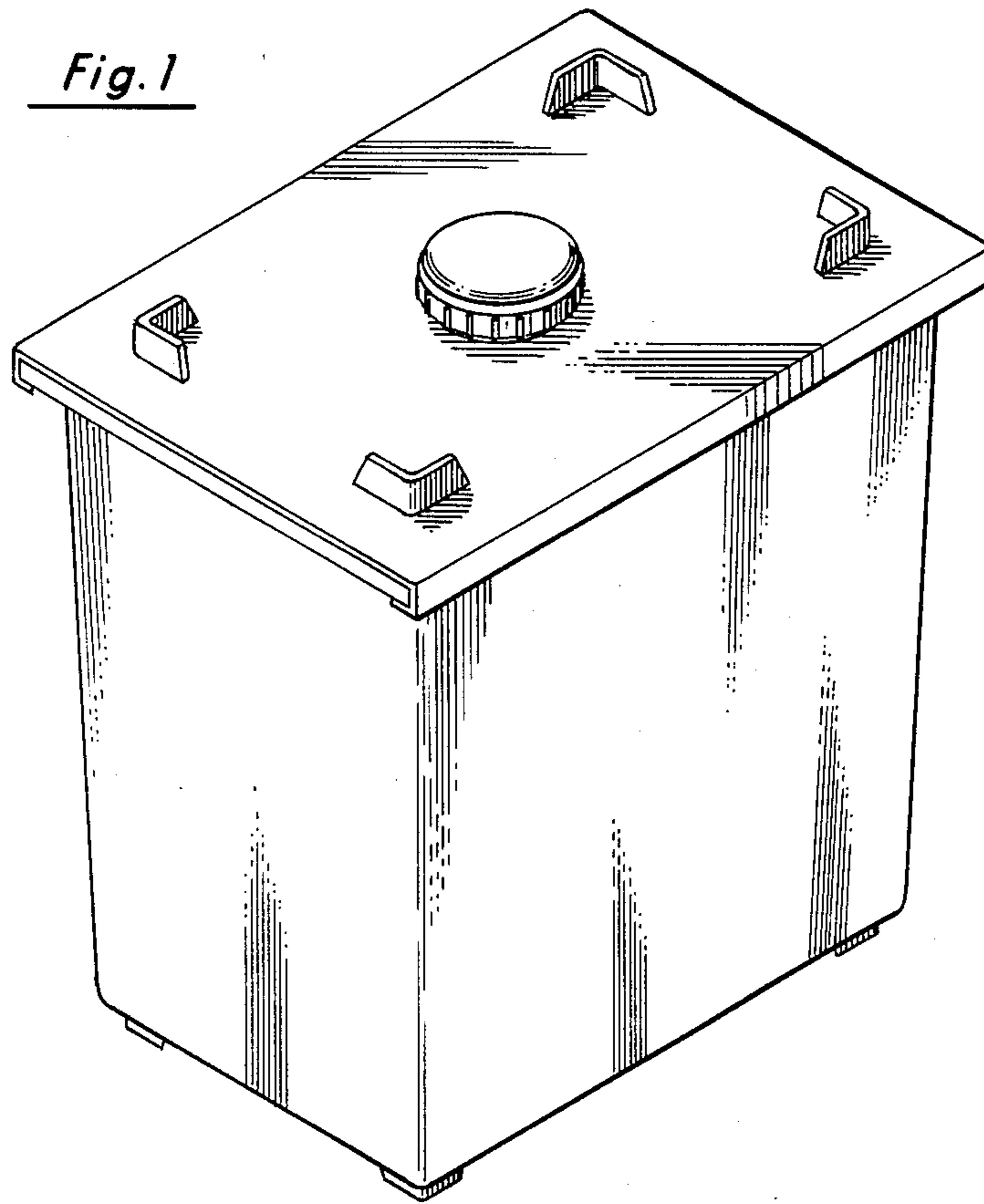


Fig. 2

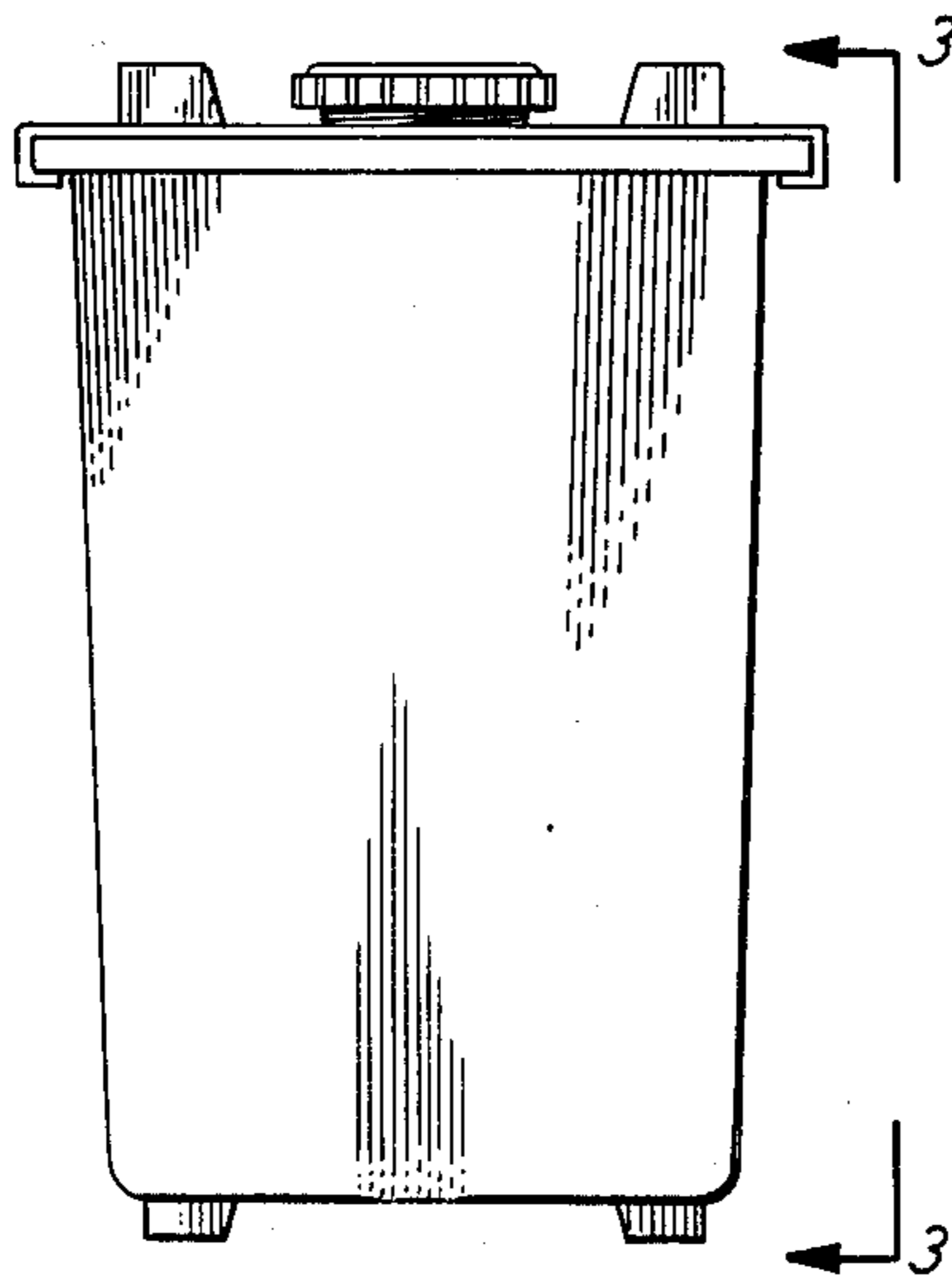


Fig. 3

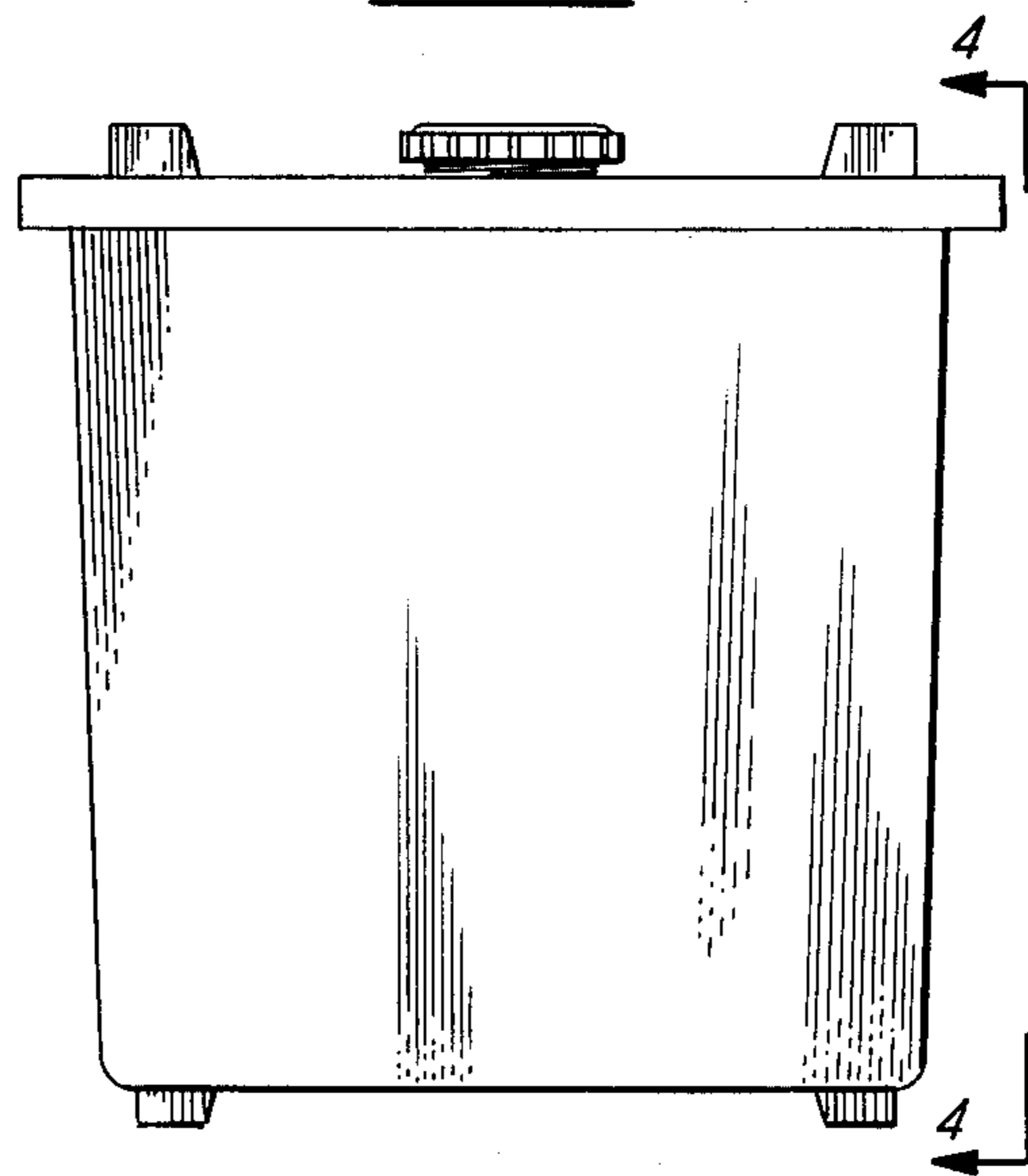


Fig. 4

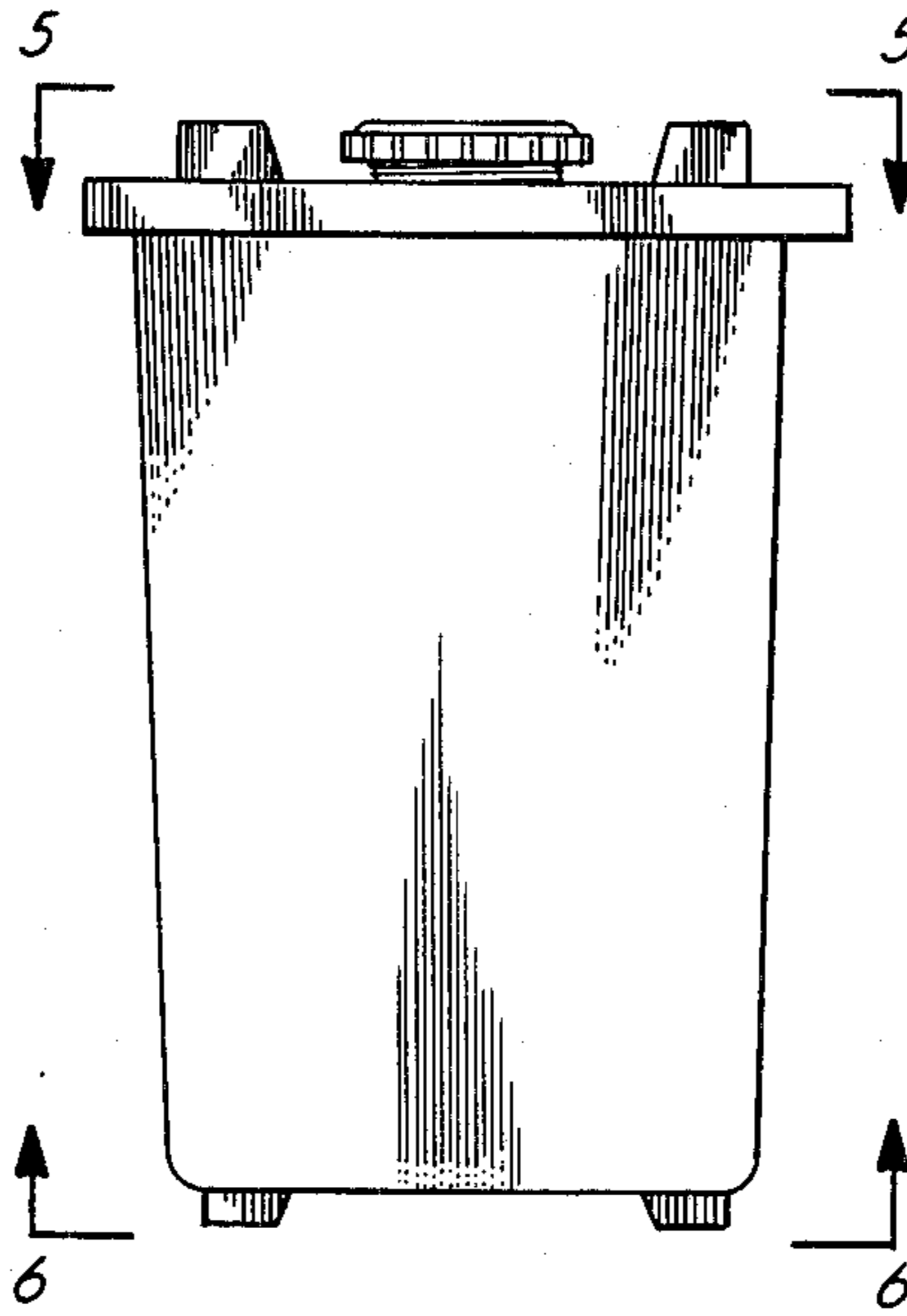


Fig. 5

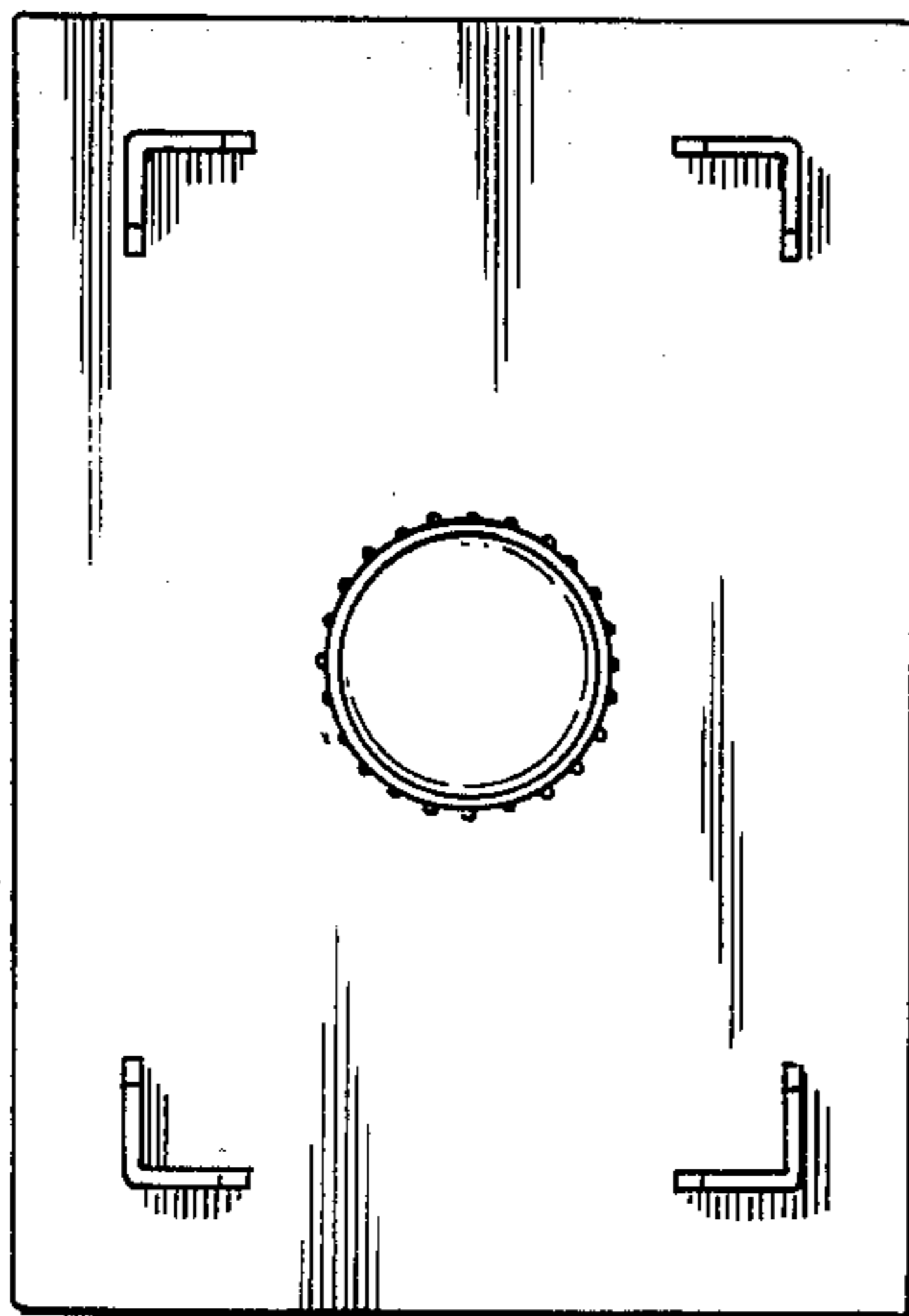


Fig. 6

