

[54] RAIL SPIKE UNIT

[75] Inventors: Hartley F. Young, West Melton; Richard R. Calusinski, St. Agnes, both of Australia

[73] Assignee: Ralph McKay Limited, Maidstone, Australia

[**] Term: 14 Years

[21] Appl. No.: 730,999

[22] Filed: May 6, 1985

[30] Foreign Application Priority Data

Jan. 31, 1985 [AU] Australia 0223/85

Jan. 31, 1985 [AU] Australia 0224/85

[52] U.S. Cl. D8/392; D8/393

[58] Field of Search D8/391, 392, 393; 238/366, 367, 368, 369

[56] References Cited

U.S. PATENT DOCUMENTS

- D. 27,624 9/1897 Banks D8/393
- D. 29,189 8/1898 Butler D8/393
- D. 52,511 10/1918 Groh D8/392
- 1,393,343 10/1921 Clark 238/366

- 2,417,385 3/1947 Tilly 238/366
- 3,356,300 12/1967 Harrel 238/366

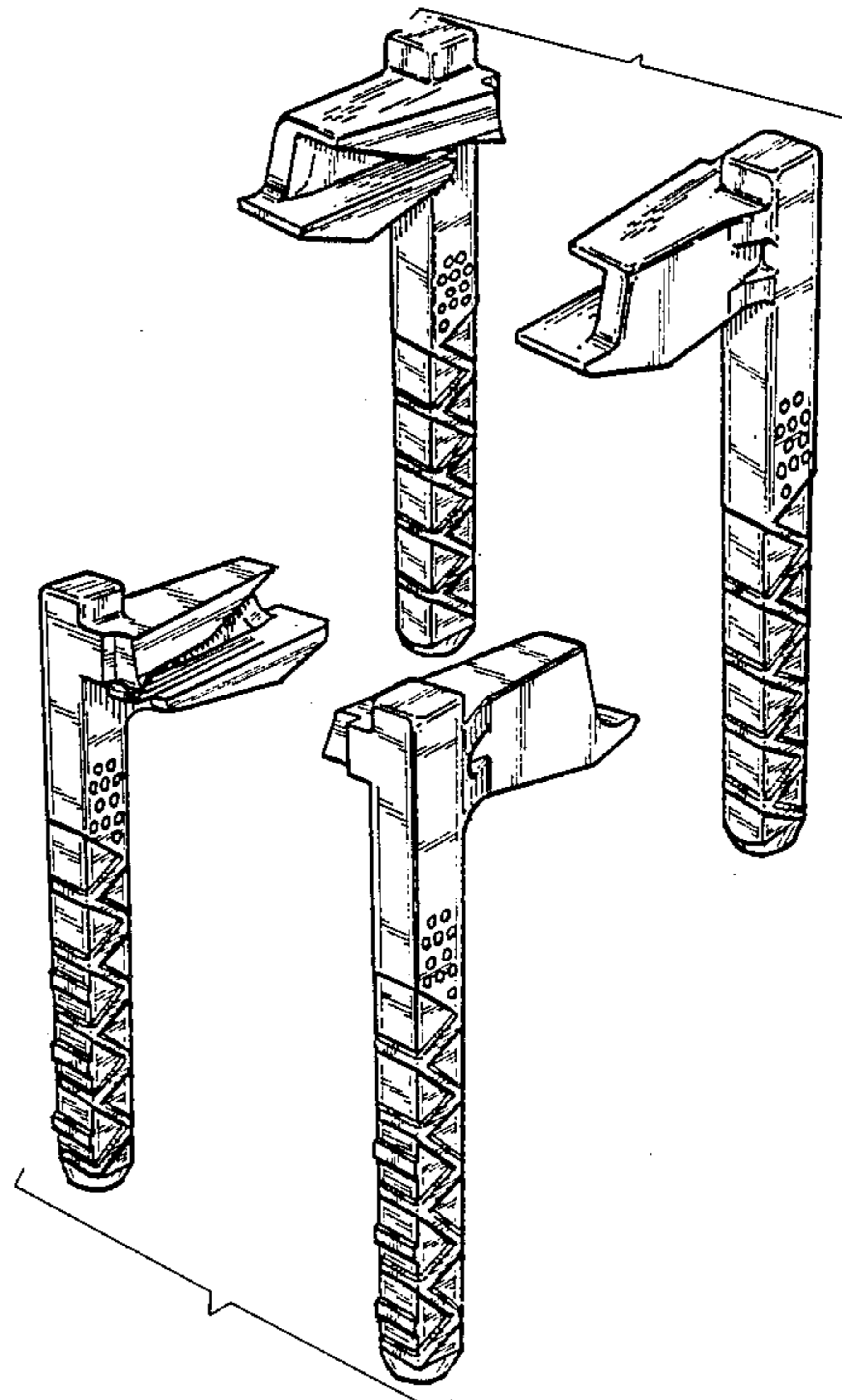
Primary Examiner—B. J. Bullock
Attorney, Agent, or Firm—Christel, Bean & Linihan

[57] CLAIM

The ornamental design for a rail spike unit, as shown.

DESCRIPTION

FIG. 1 is a front perspective view of a rail spike unit showing our new design;
 FIG. 2 is a rear perspective view thereof;
 FIG. 3 is a left side elevational view thereof;
 FIG. 4 is a bottom plan view thereof;
 FIG. 5 is an enlarged fragmentary sectional view taken along line 5—5 on FIG. 3;
 FIG. 6 is a right side elevational view thereof;
 FIG. 7 is a top plan view thereof;
 FIG. 8 is a front elevational view thereof;
 FIG. 9 is a rear elevational view thereof;
 FIG. 10 is an enlarged sectional view taken in the direction of the arrows on line 10—10 in FIG. 9;
 FIG. 11 is an enlarged sectional view taken in the direction of the arrows on line 11—11 of FIG. 9;
 FIG. 12 is an enlarged fragmentary sectional view taken along line 12—12 of FIGS. 3, 8 and 9.



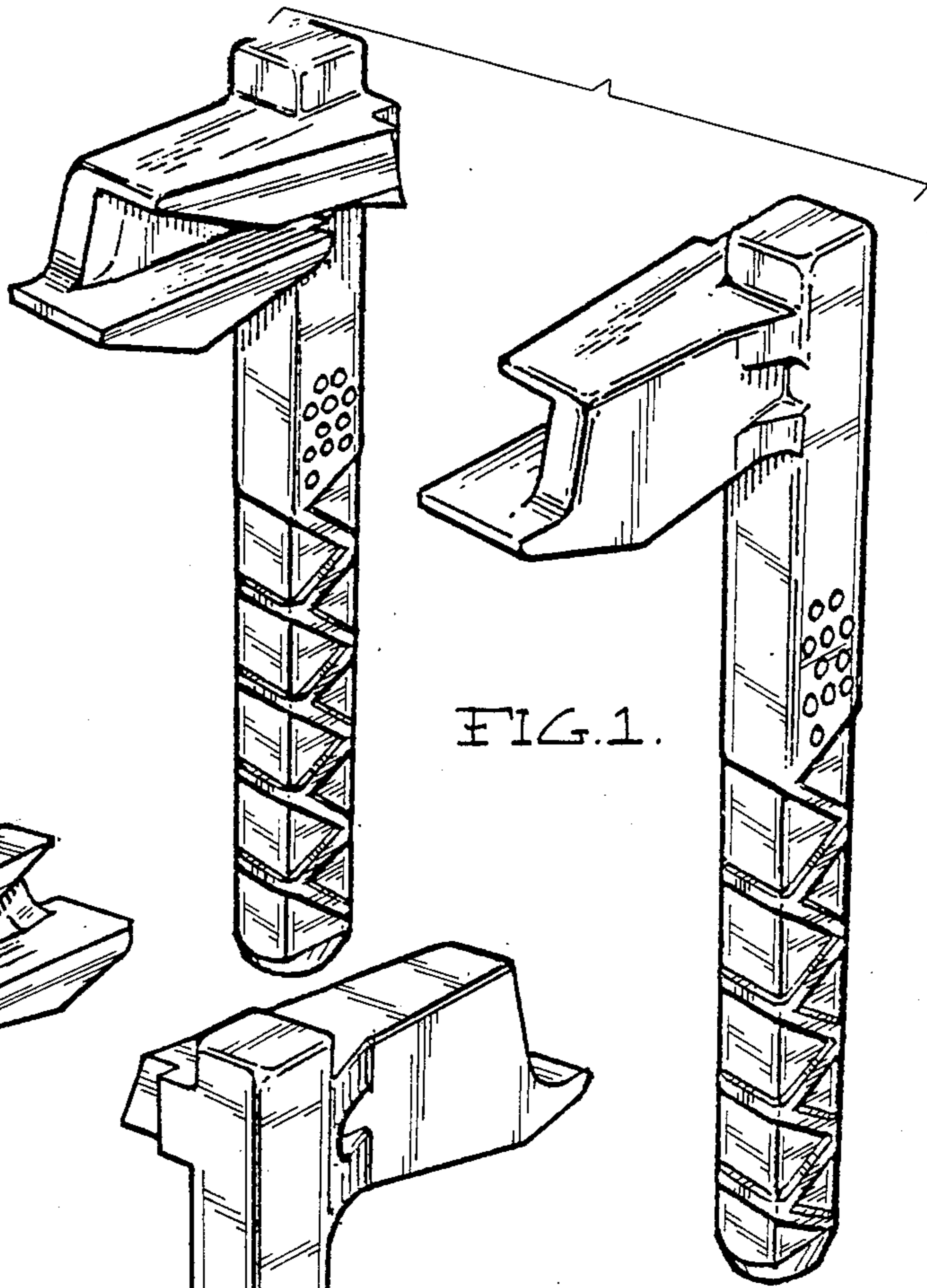


FIG. 1.

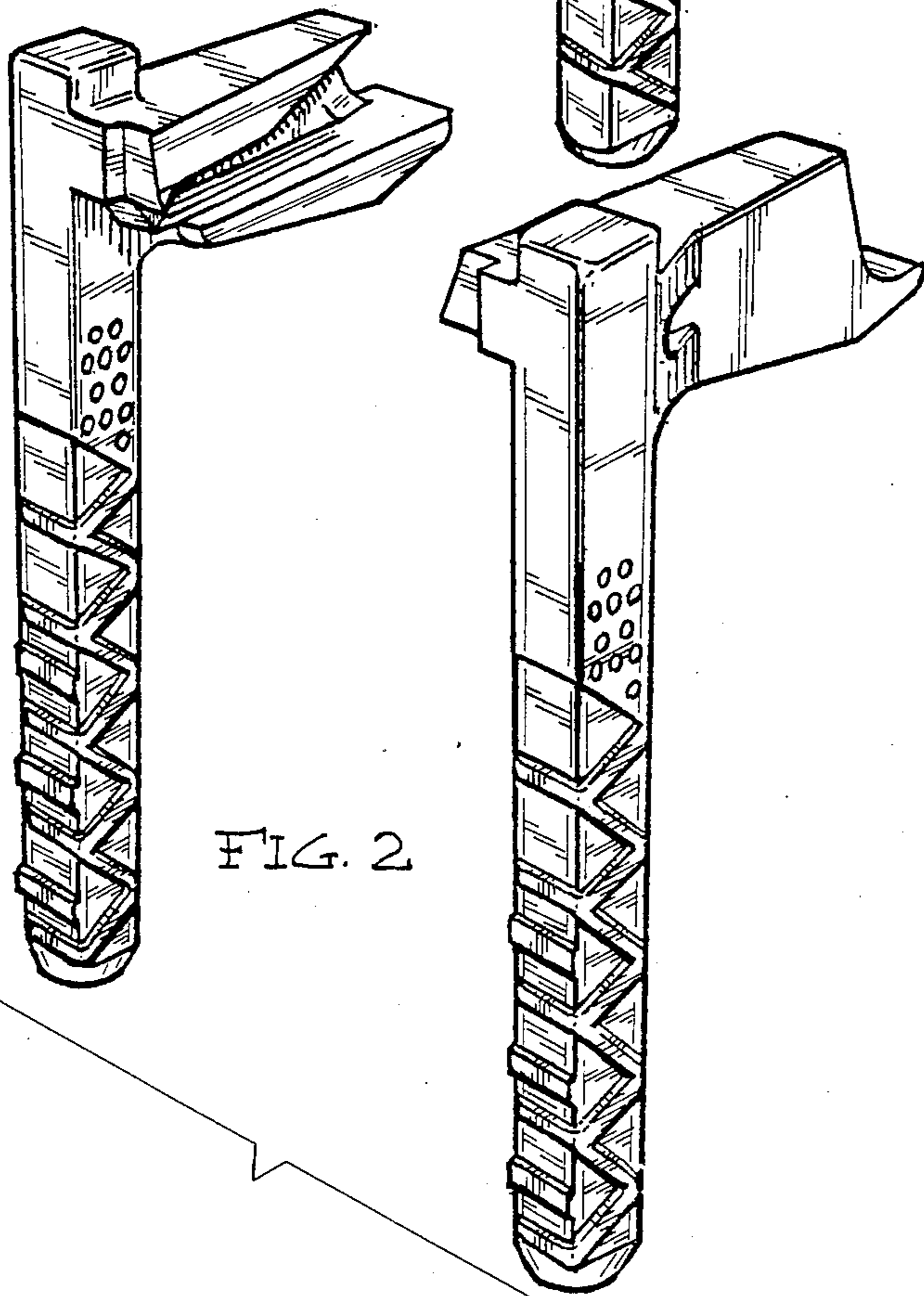


FIG. 2

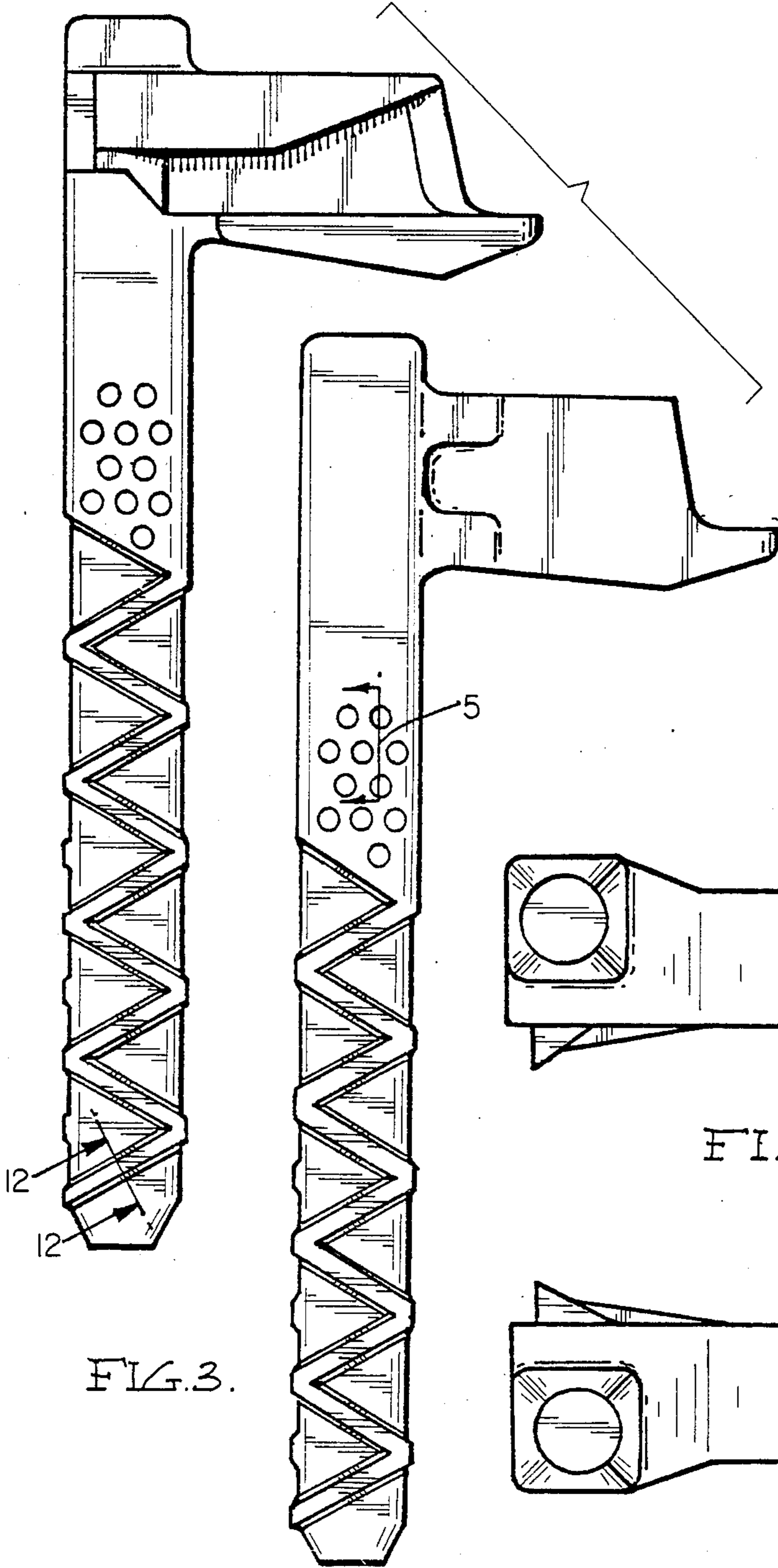


FIG. 3.

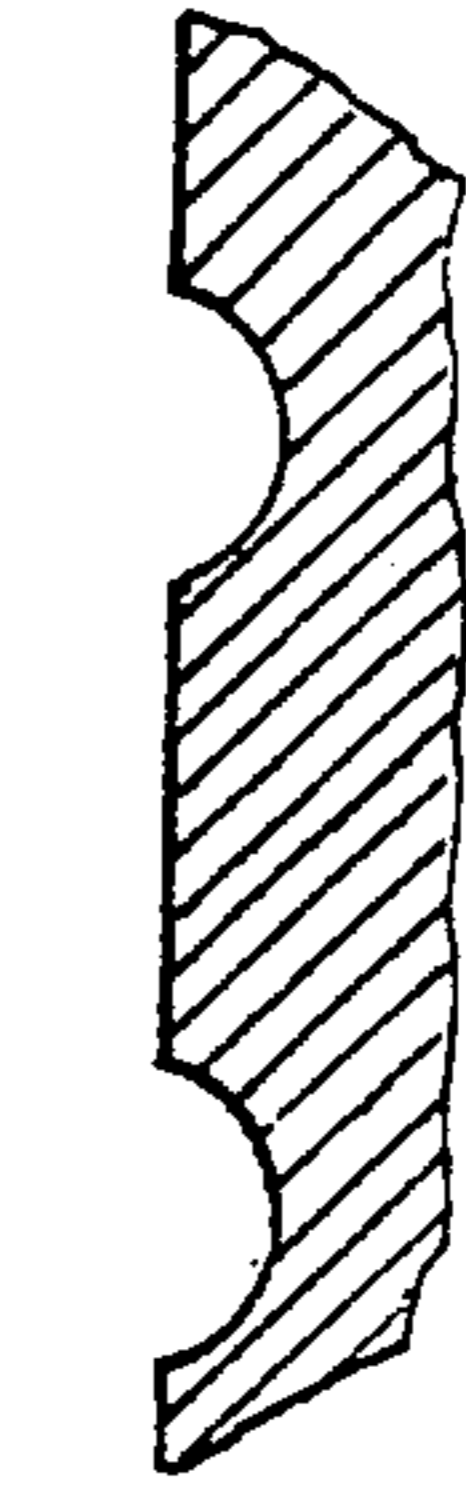


FIG. 5.

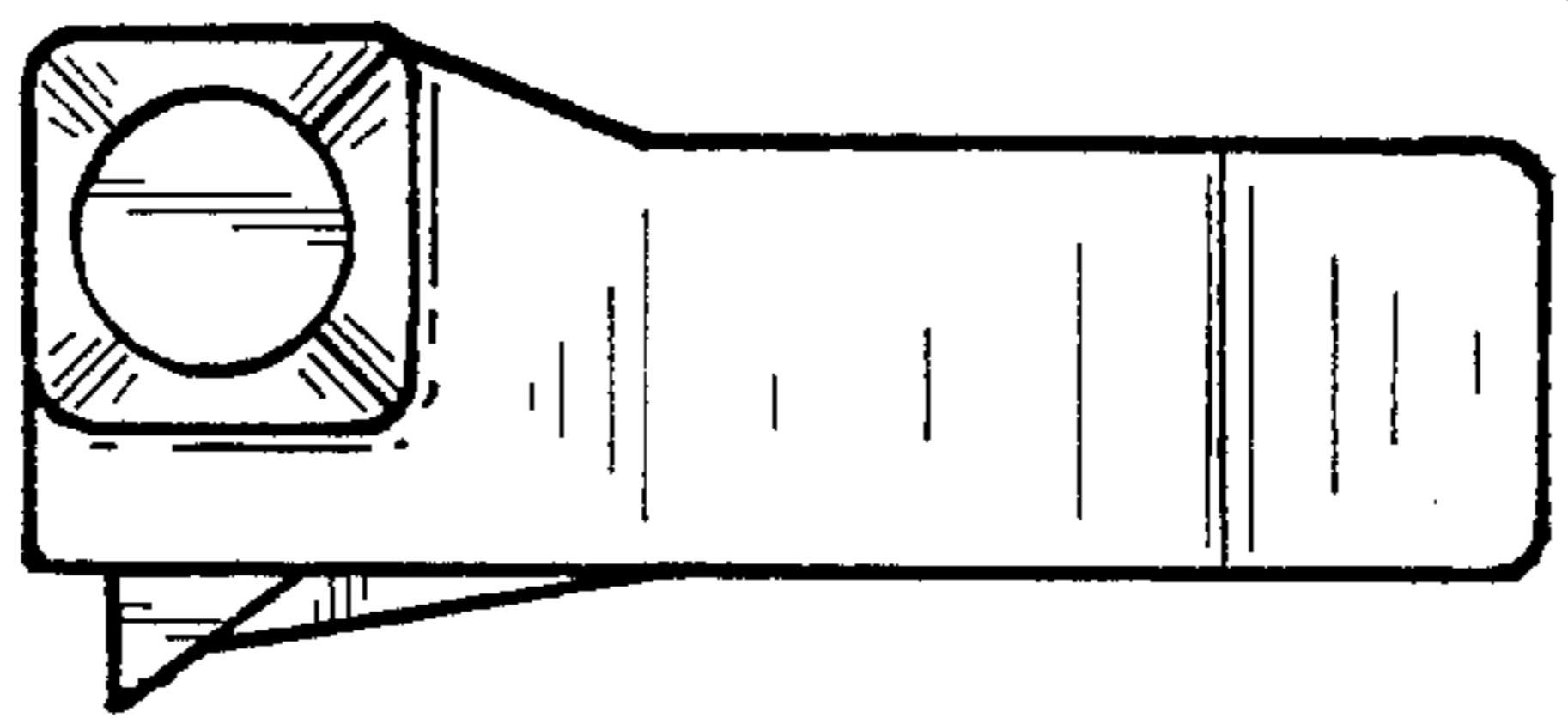
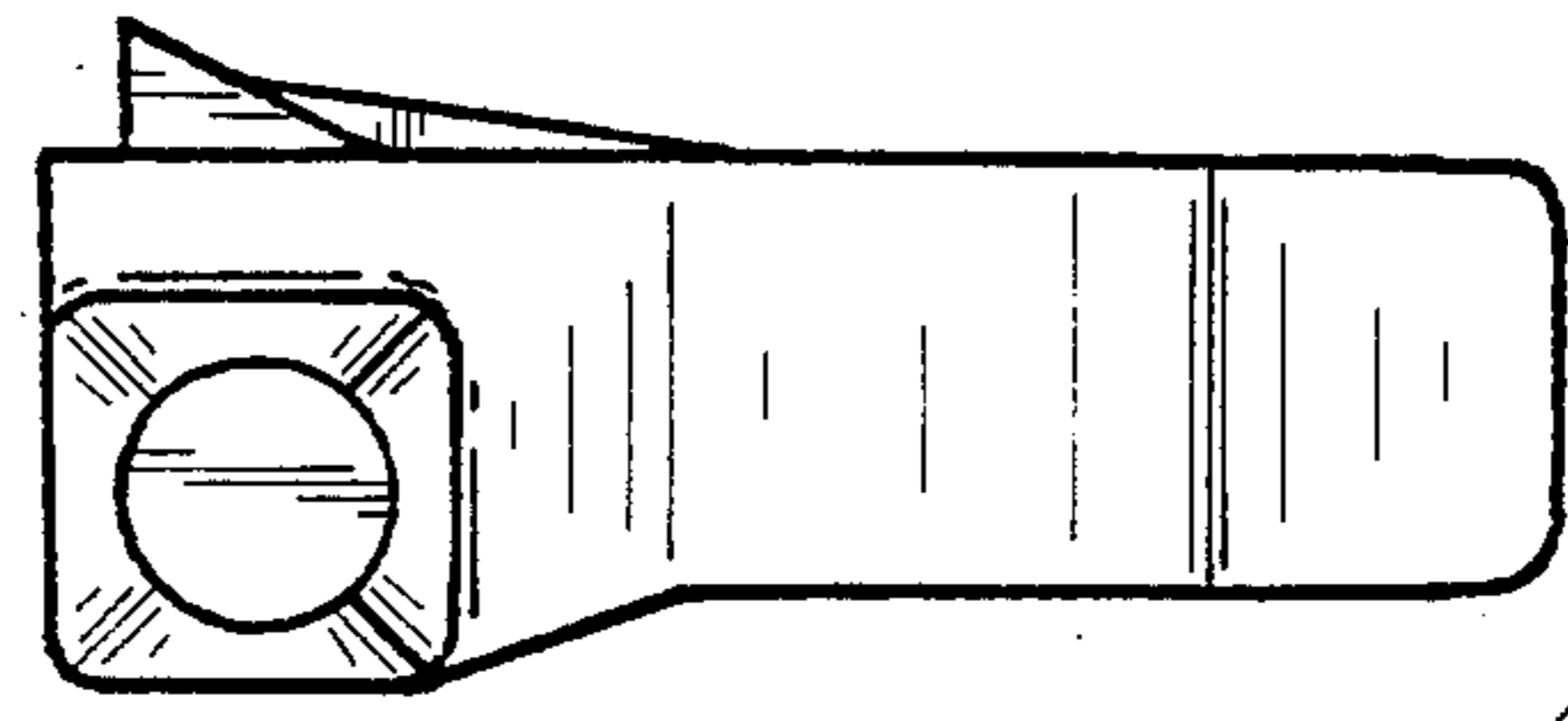


FIG. 4.



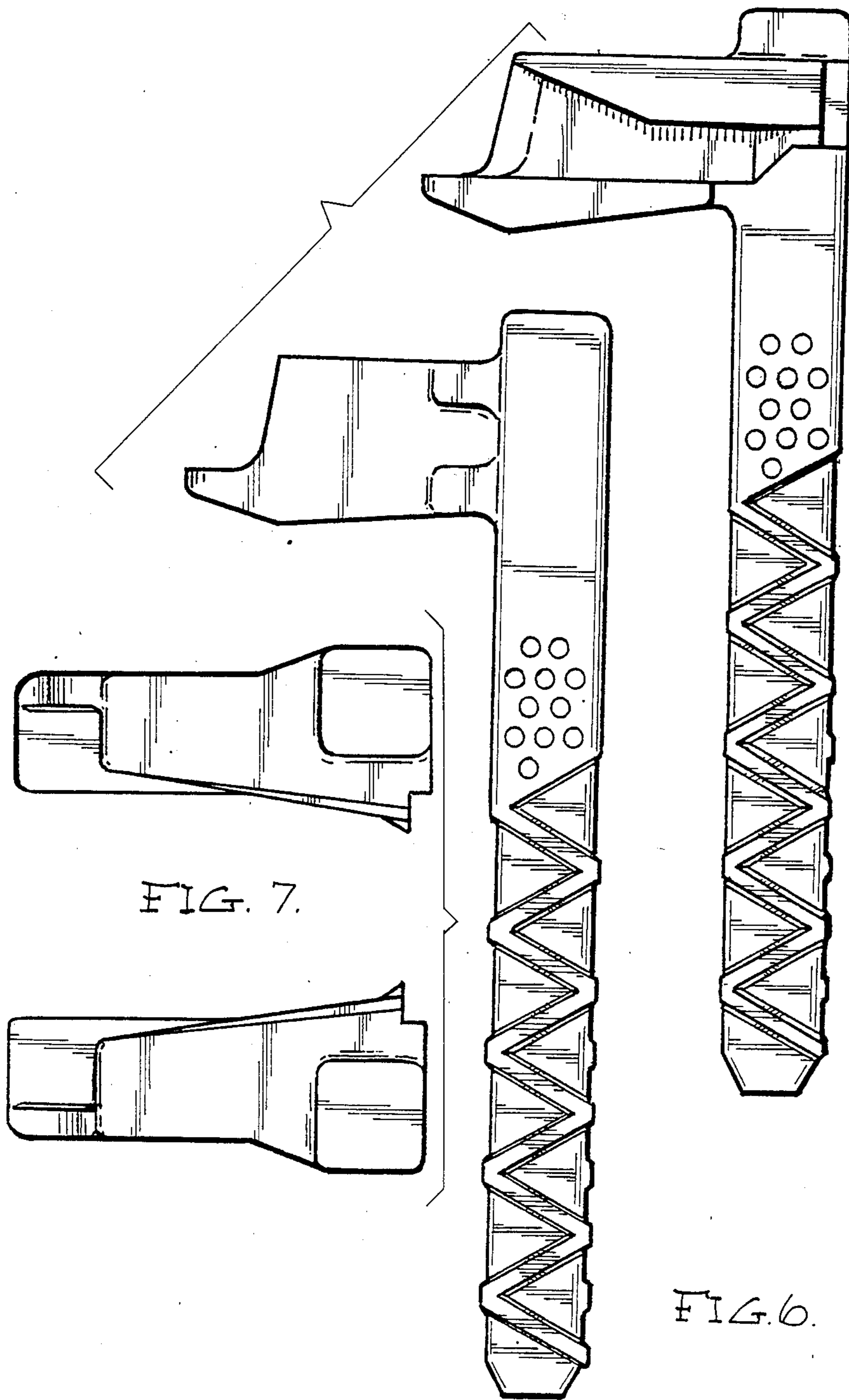


FIG. 7.

FIG. 6.

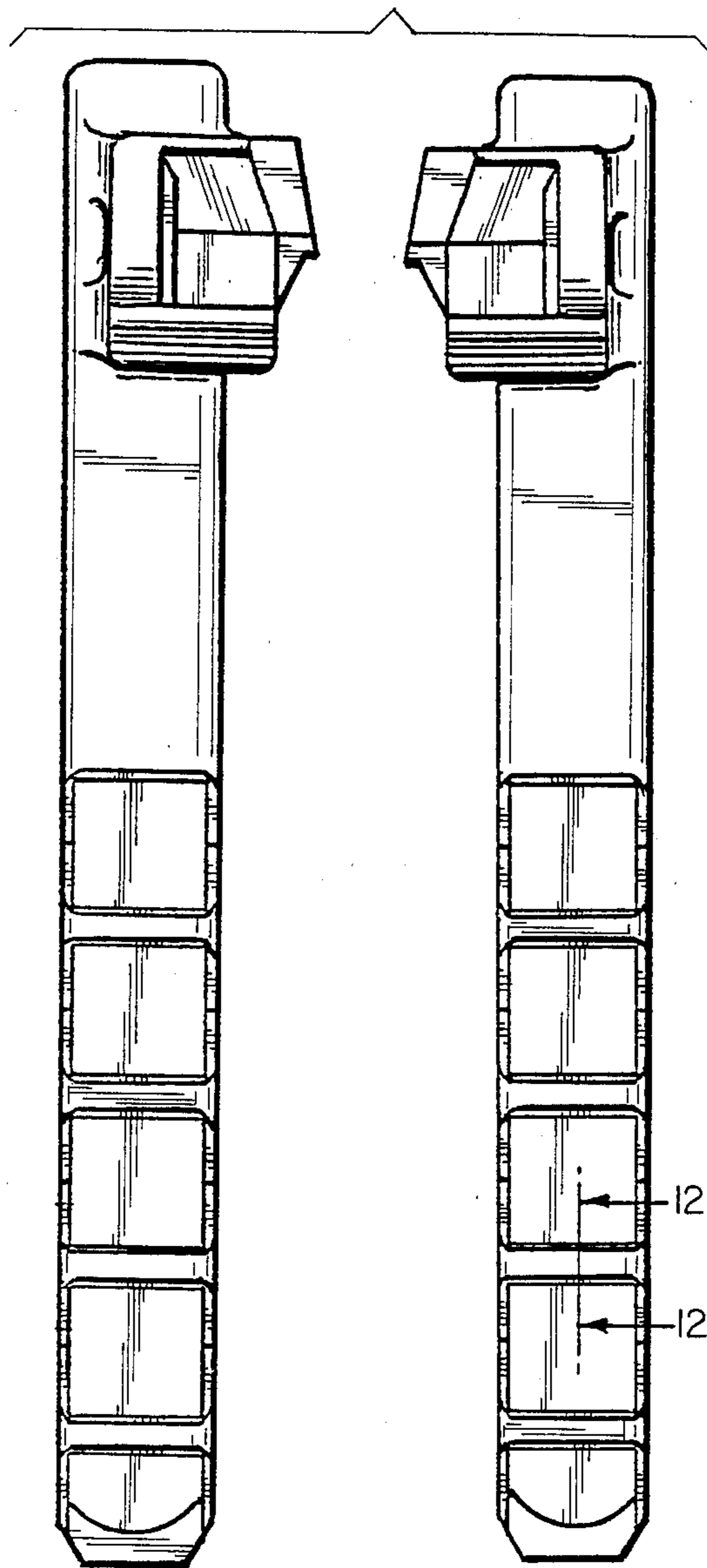


FIG. 8.

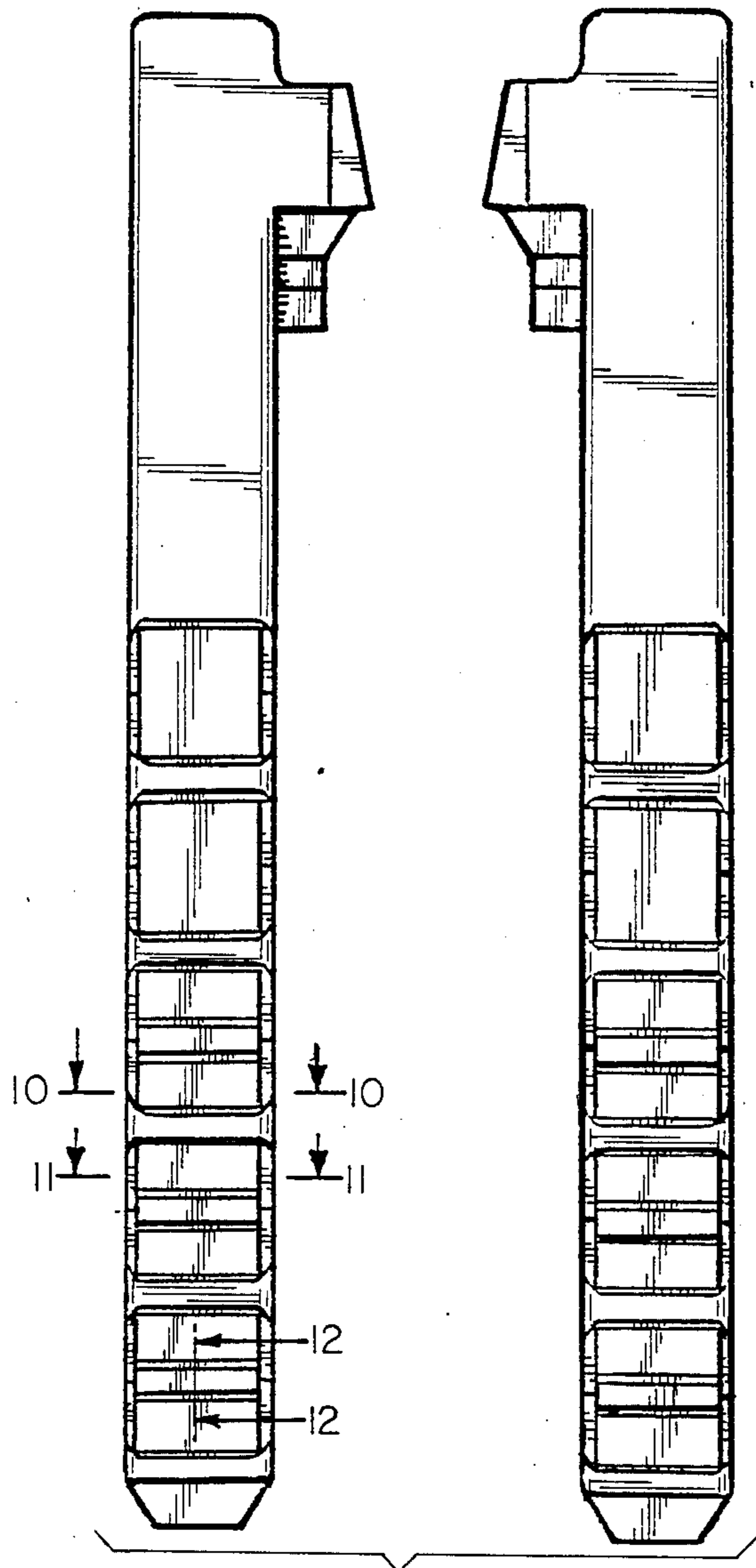


FIG. 9.

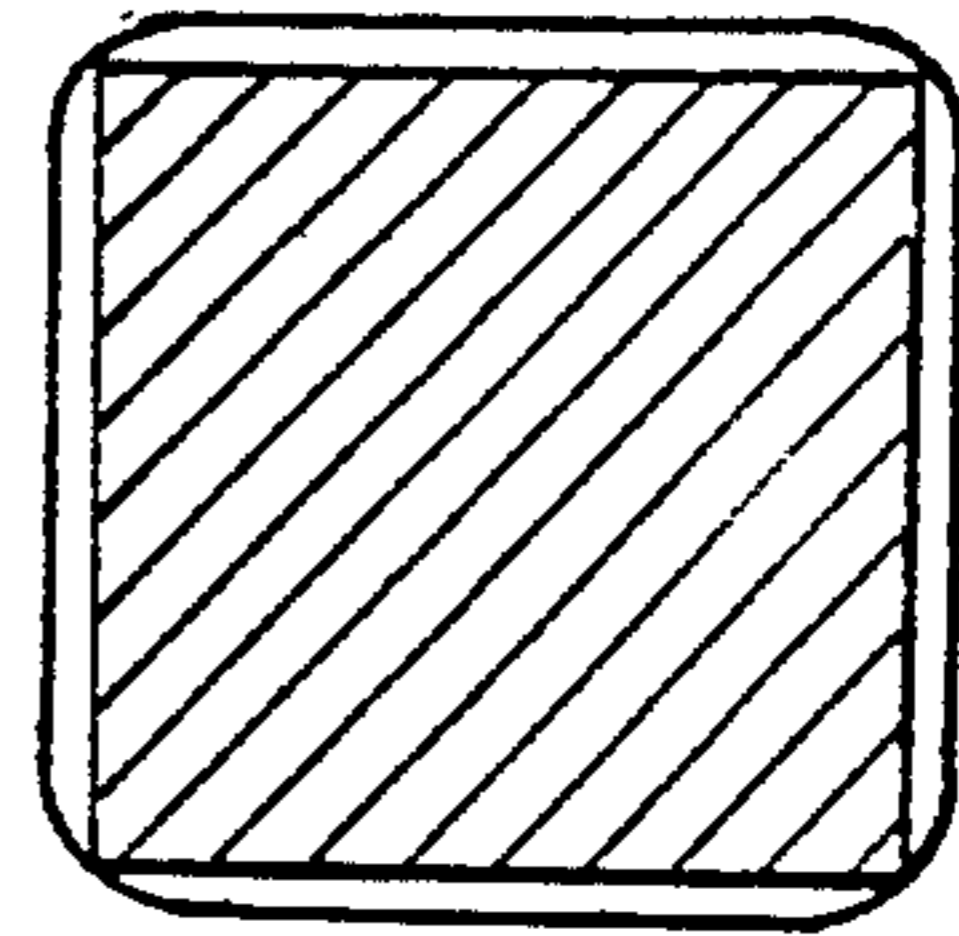


FIG. 10.

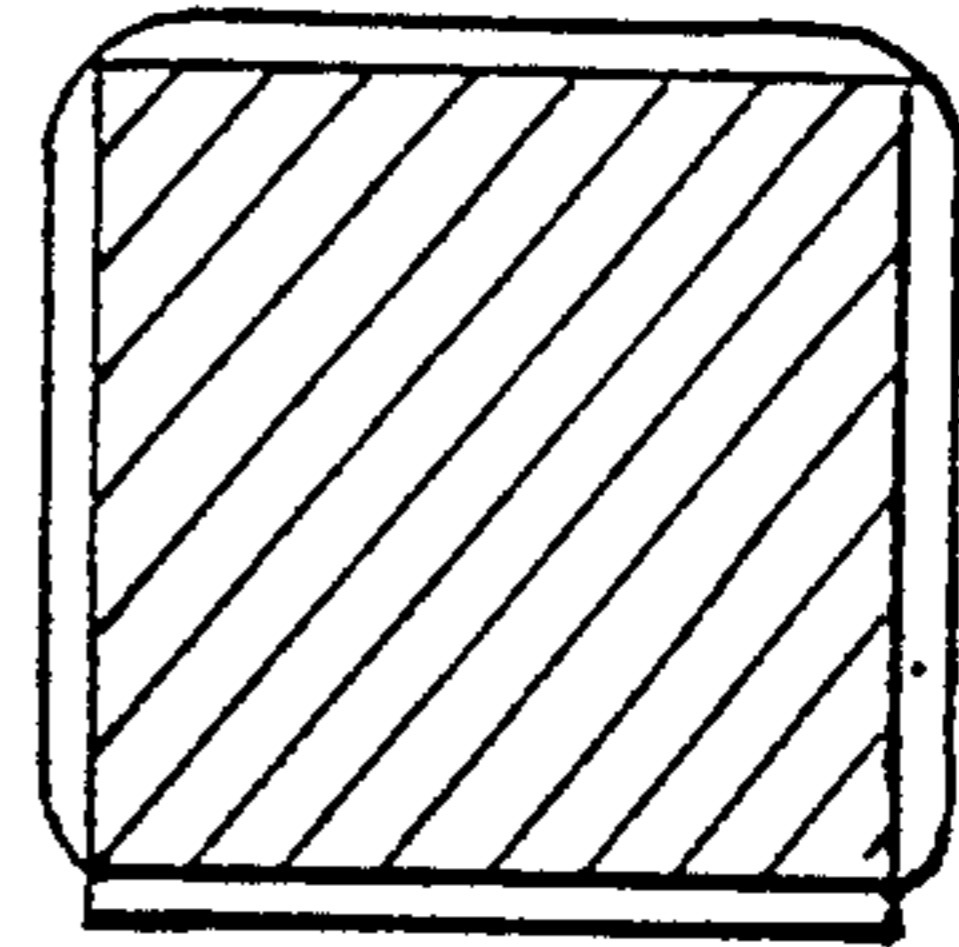


FIG. 11.



FIG. 12.