

United States Patent [19]

Yonezawa et al.

[11] Patent Number: **Des. 296,655**

[45] Date of Patent: **** Jul. 12, 1988**

[54] **COMBINED ELECTRIC DRILL AND SCREWDRIVER**

[75] Inventors: **Kazuyoshi Yonezawa; Yonosuke Iwai**, both of Kadoma, Japan; **Florian Seiffert**, Weisbaden, Fed. Rep. of Germany

[73] Assignee: **Matsushita Electric Works, Ltd.**, Japan

[**] Term: **14 Years**

[21] Appl. No.: **826,262**

[22] Filed: **Feb. 5, 1986**

[30] **Foreign Application Priority Data**

Aug. 9, 1985 [JP] Japan 60-34364

[52] U.S. Cl. **D8/68**

[58] Field of Search D8/61, 68, 75, 82, 83, D8/105; 408/120, 124-125, 127; 310/50; 320/2-4; 173/163, 170; 81/44, 52, 53.12, 54, 57.11, 463-464, 466-467, 478, 480, 177.1, 177.7, 438

[56] **References Cited**

U.S. PATENT DOCUMENTS

D. 205,631 8/1966 Averitt D8/68
D. 243,652 3/1977 Zurwelle et al. D8/68

D. 275,445 9/1984 Totsu D8/68
D. 275,728 10/1984 Totsu D8/68
3,403,738 10/1968 Burkhart et al. 173/170
4,448,098 5/1984 Totsu 81/57.11 X

OTHER PUBLICATIONS

Popular Mechanics, Nov. 1979, p. 34 "Skil's Boar Gun".

Primary Examiner—Wallace R. Burke
Assistant Examiner—Brian N. Vinson
Attorney, Agent, or Firm—Stevens, Davis, Miller & Mosher

[57] CLAIM

The ornamental design for a combined electric drill and screwdriver, as shown and described.

DESCRIPTION

FIG. 1 is a right side elevational view of a combined electric drill and screwdriver showing our new design; FIG. 2 is a top plan view thereof; FIG. 3 is a right plan view thereof; FIG. 4 is a bottom plan view thereof; FIG. 5 is a front elevational view thereof; FIG. 6 is a rear elevational view thereof; FIG. 7 is a vertical cross-sectional view thereof, taken along line 7-7 of FIG. 3; and FIG. 8 is a horizontal cross-sectional view thereof, taken in the direction of line 8-8 of FIG. 1.

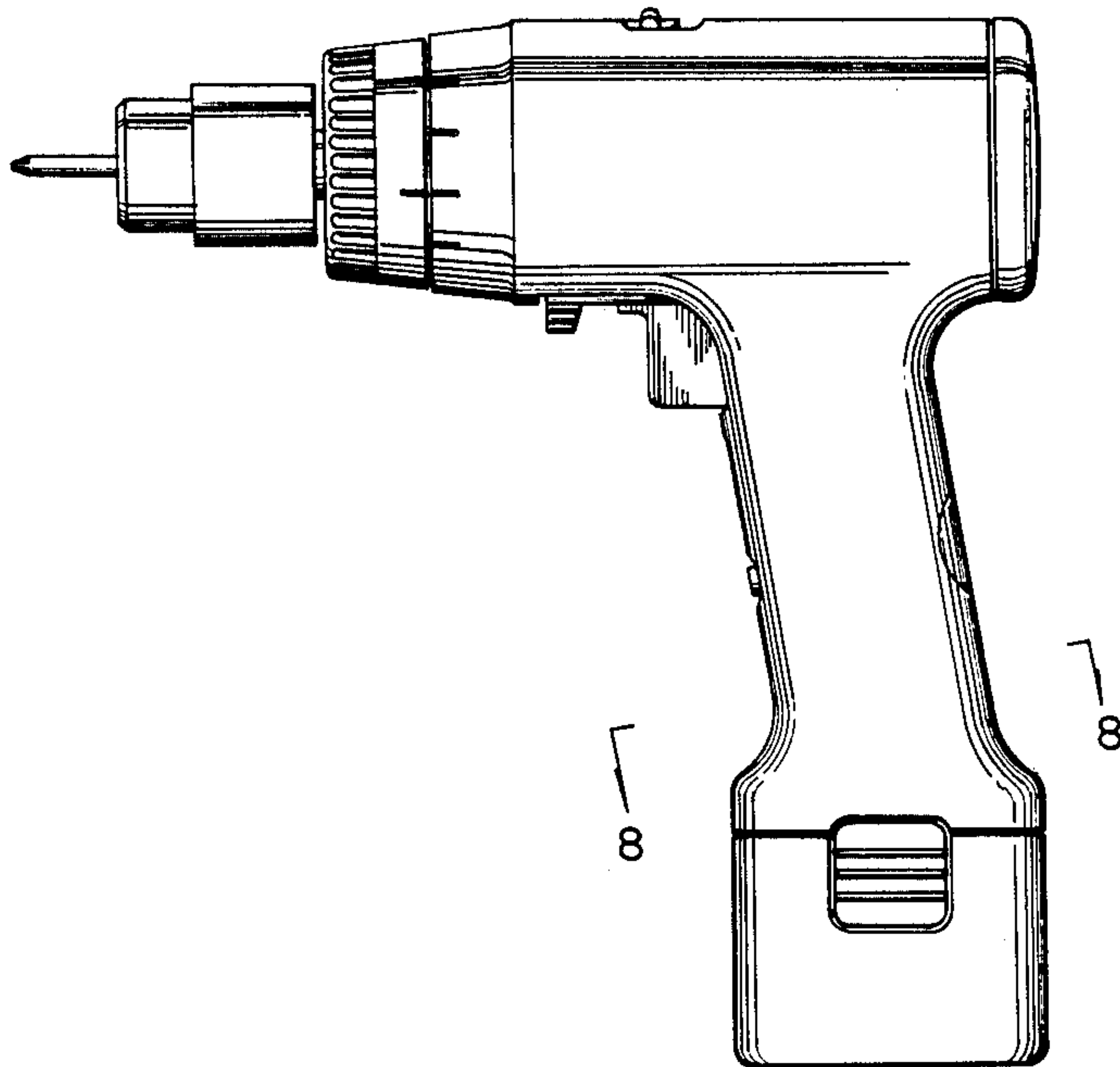


Fig 1

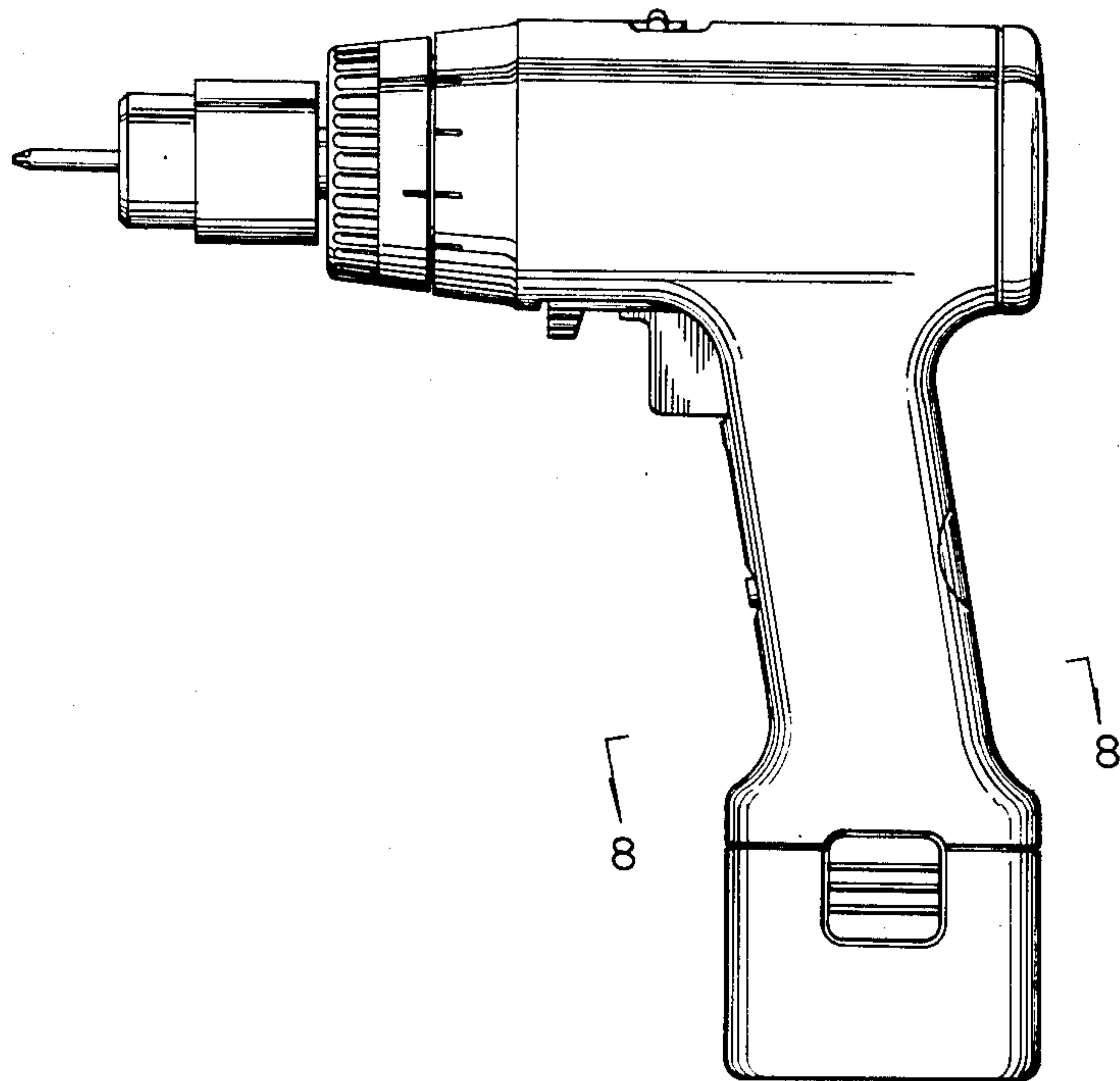


Fig 3

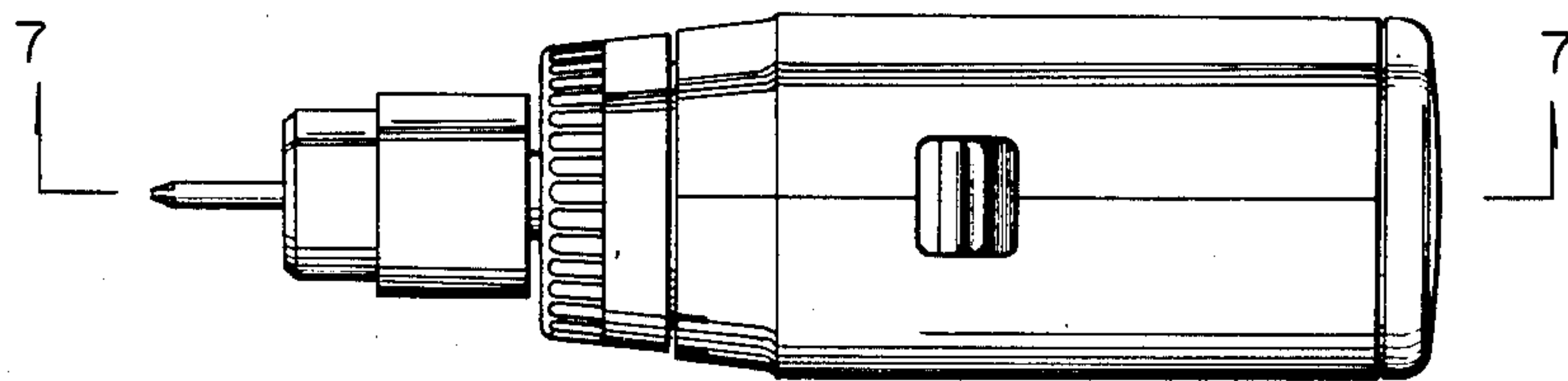


Fig 2

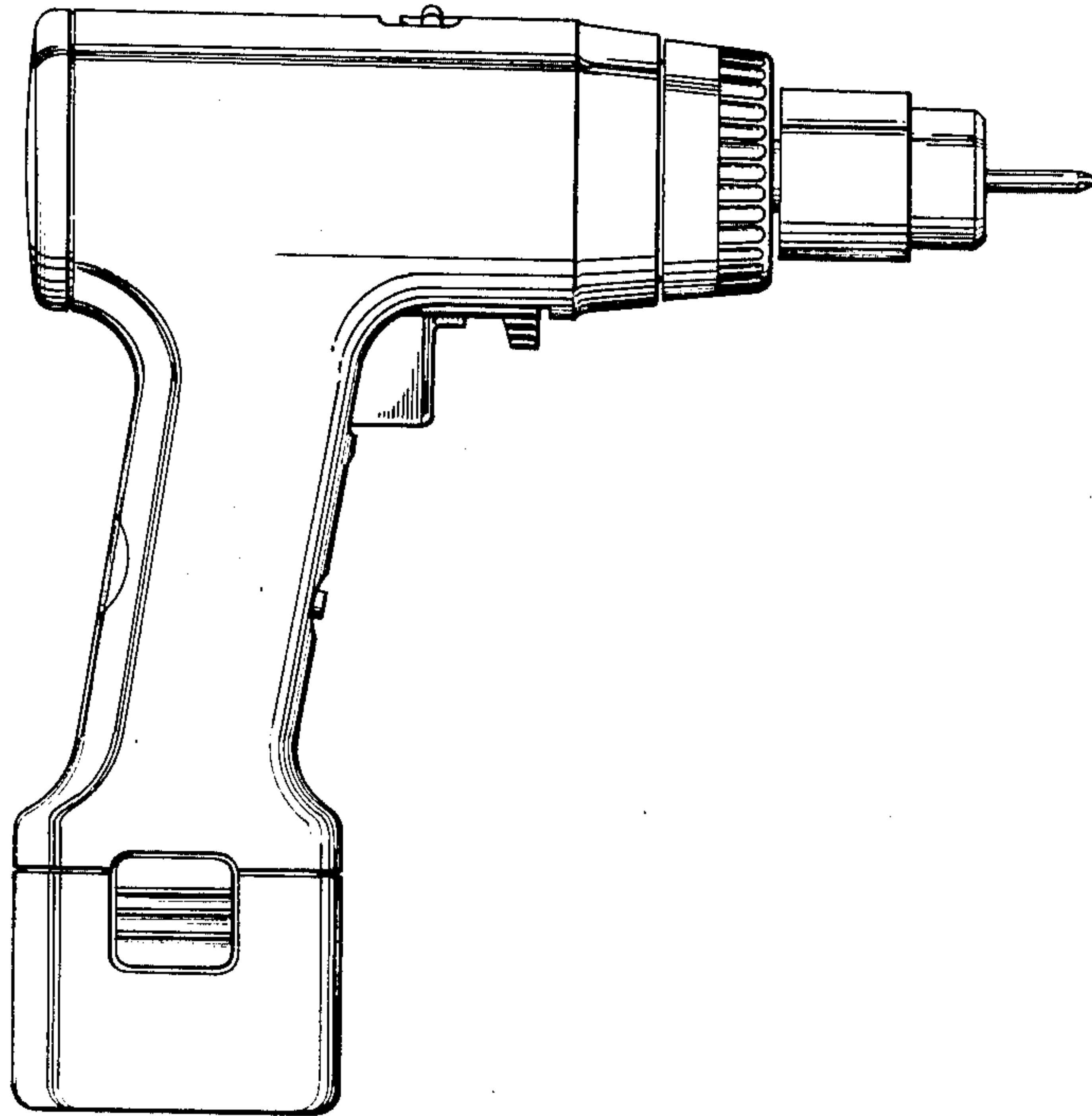


Fig 4

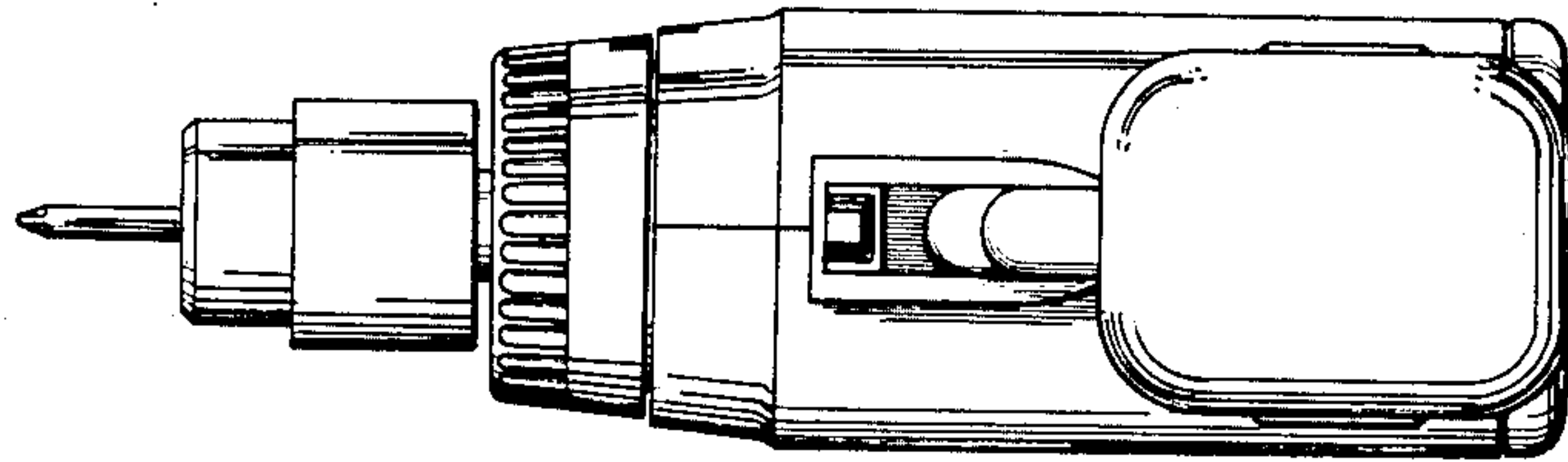


Fig 5

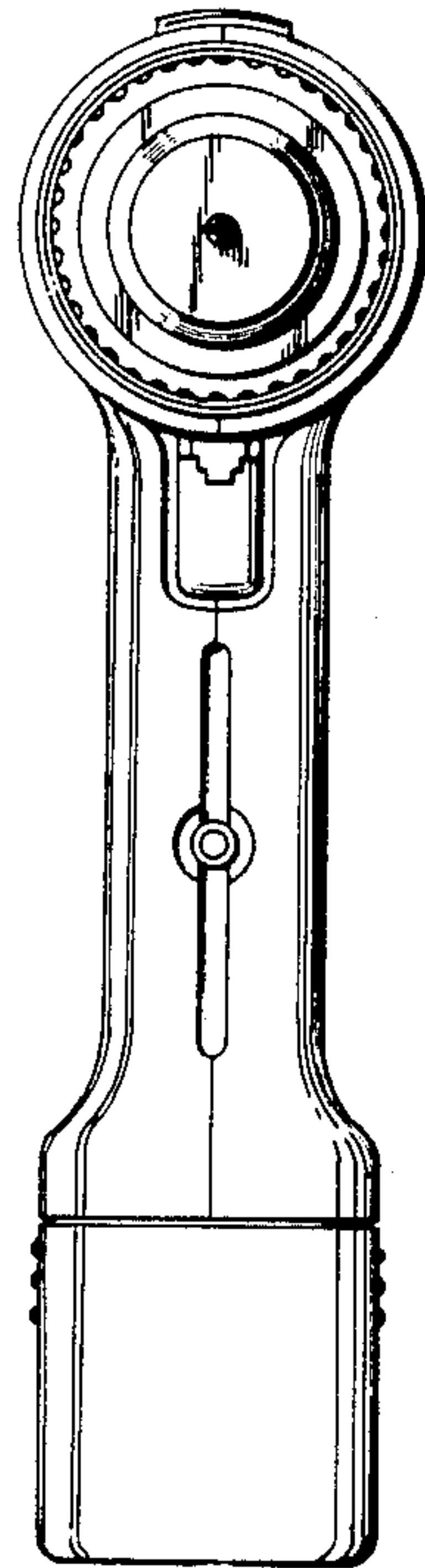


Fig 6

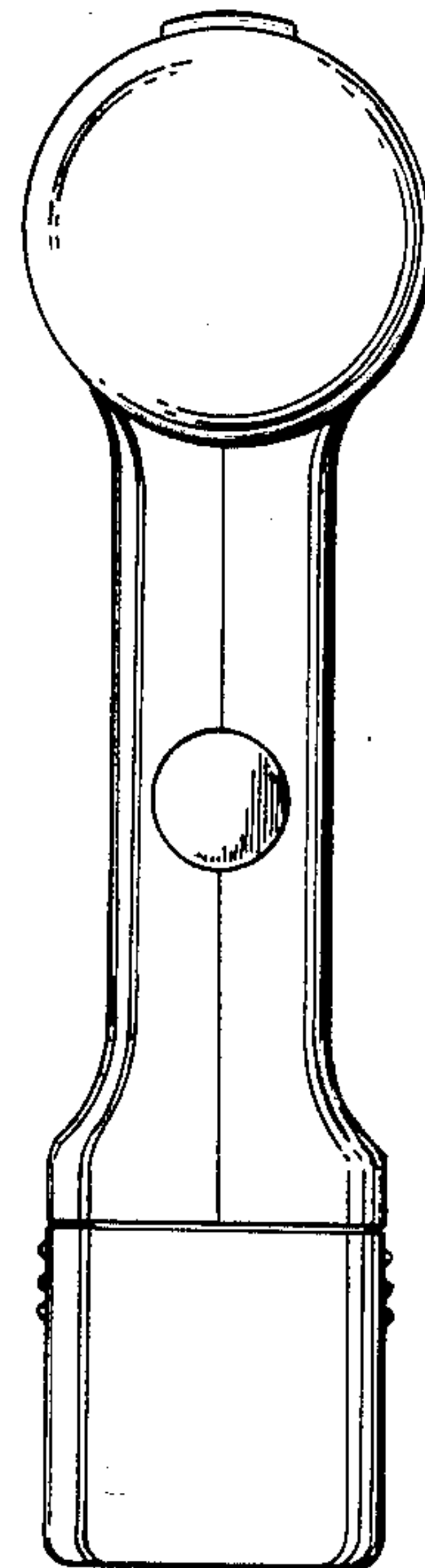


Fig 7

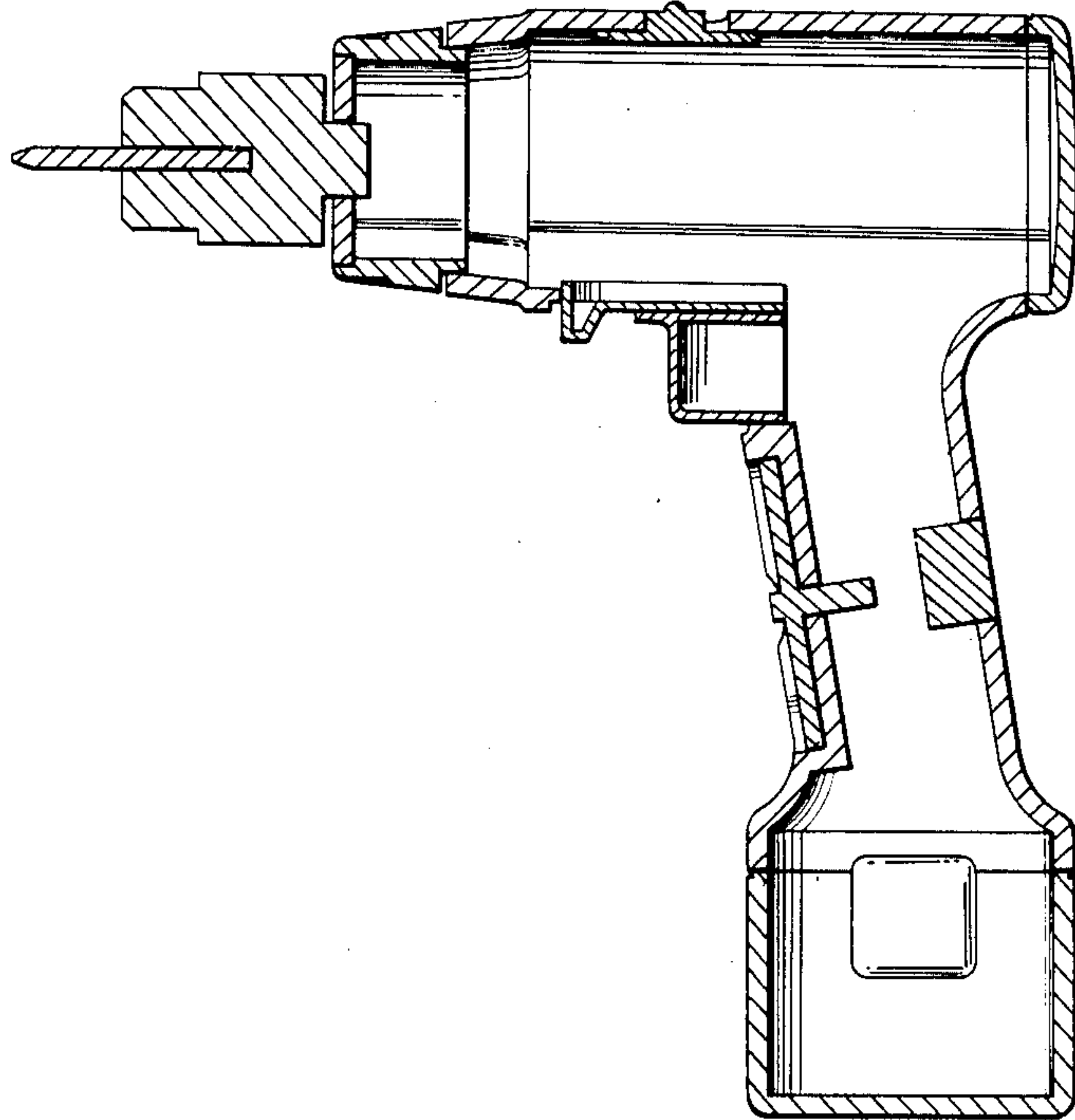


Fig 8

