

United States Patent [19]

Dawson

[11] Patent Number: Des. 296,653

[45] Date of Patent: ** Jul. 12, 1988

[54] CAN OPENER

2,860,533 11/1958 Lydon D8/18 X

[76] Inventor: Joseph J. Dawson, 9967 Foothill Blvd., Lakeview Terrace, Calif. 91342

Primary Examiner—Bernard Ansher
Assistant Examiner—Terry Pfeffer
Attorney, Agent, or Firm—John J. Posta, Jr.

[**] Term: 14 Years

[57] CLAIM

[21] Appl. No.: 789,467

The ornamental design for a can opener, as shown and described.

[22] Filed: Oct. 21, 1985

[52] U.S. Cl. D8/40

[58] Field of Search 81/3.4, 3.07, 3.55;
D8/18, 33, 34, 40, 43

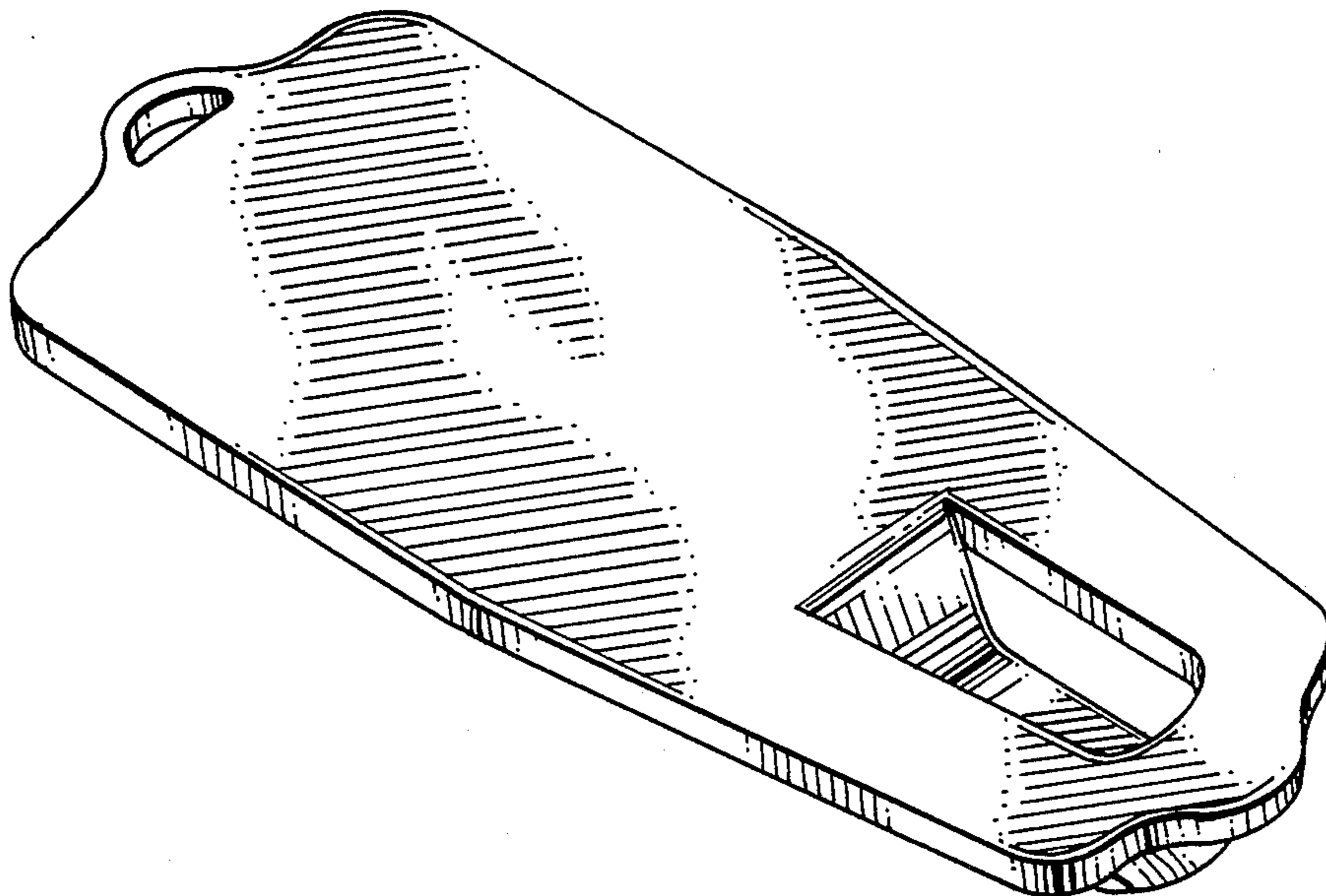
DESCRIPTION

FIG. 1 is a top, front, left side perspective view of a can opener showing my new design;
FIG. 2 is a top plan view thereof;
FIG. 3 is a bottom plan view thereof;
FIG. 4 is a left side elevational view thereof;
FIG. 5 is a rear elevational view thereof; and
FIG. 6 is a front elevational view thereof.

[56] References Cited

U.S. PATENT DOCUMENTS

D. 292,479 10/1987 Beauchan D8/40



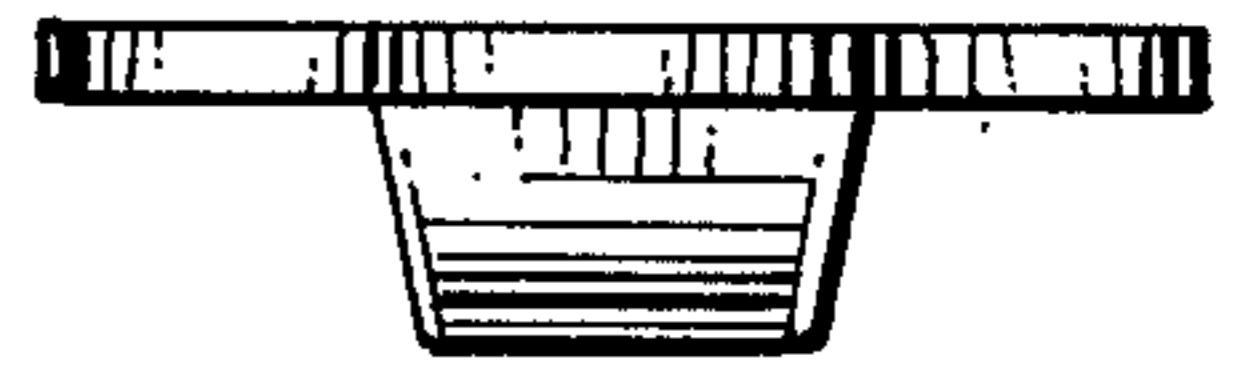
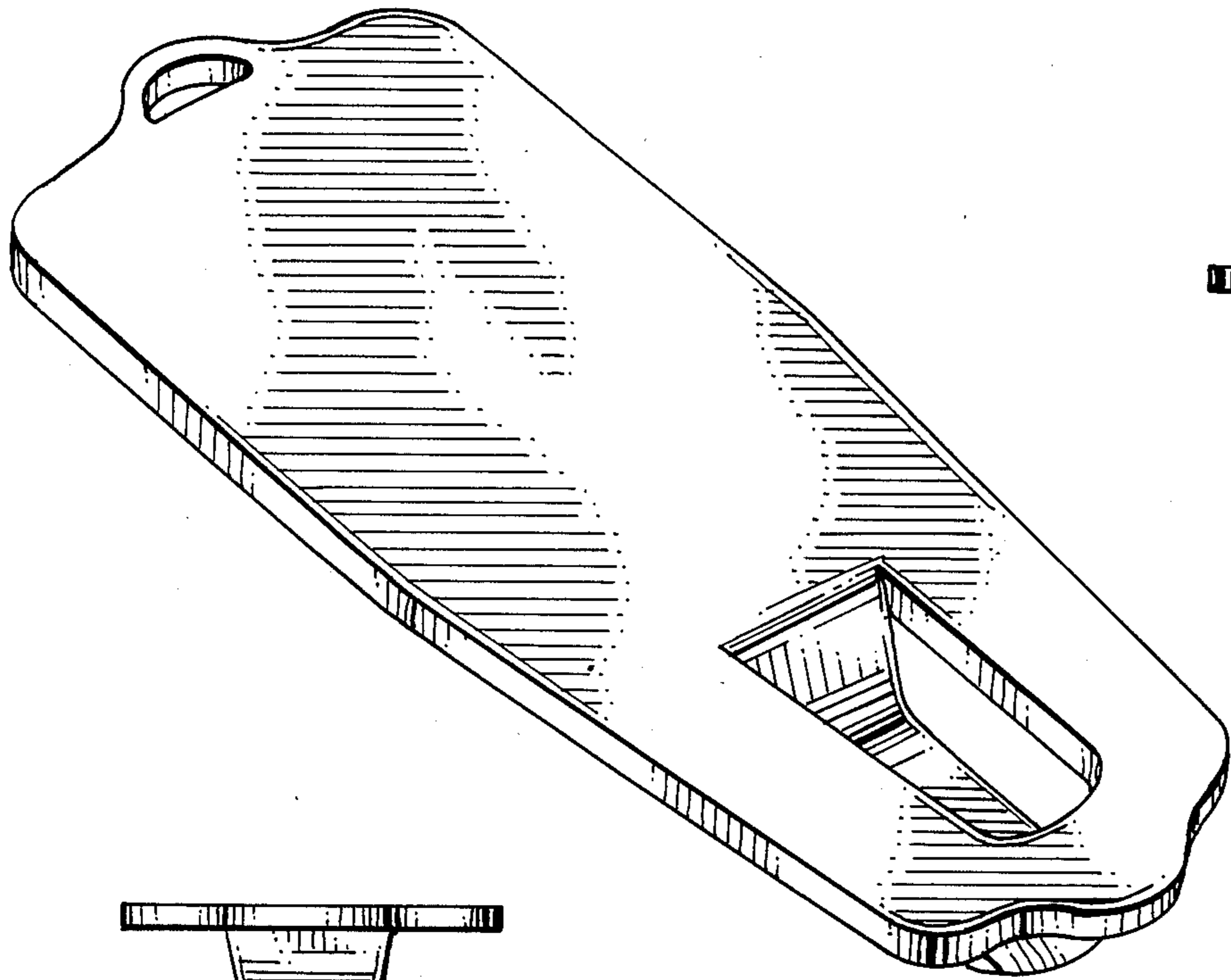


FIG. 5

FIG. 1



FIG. 6

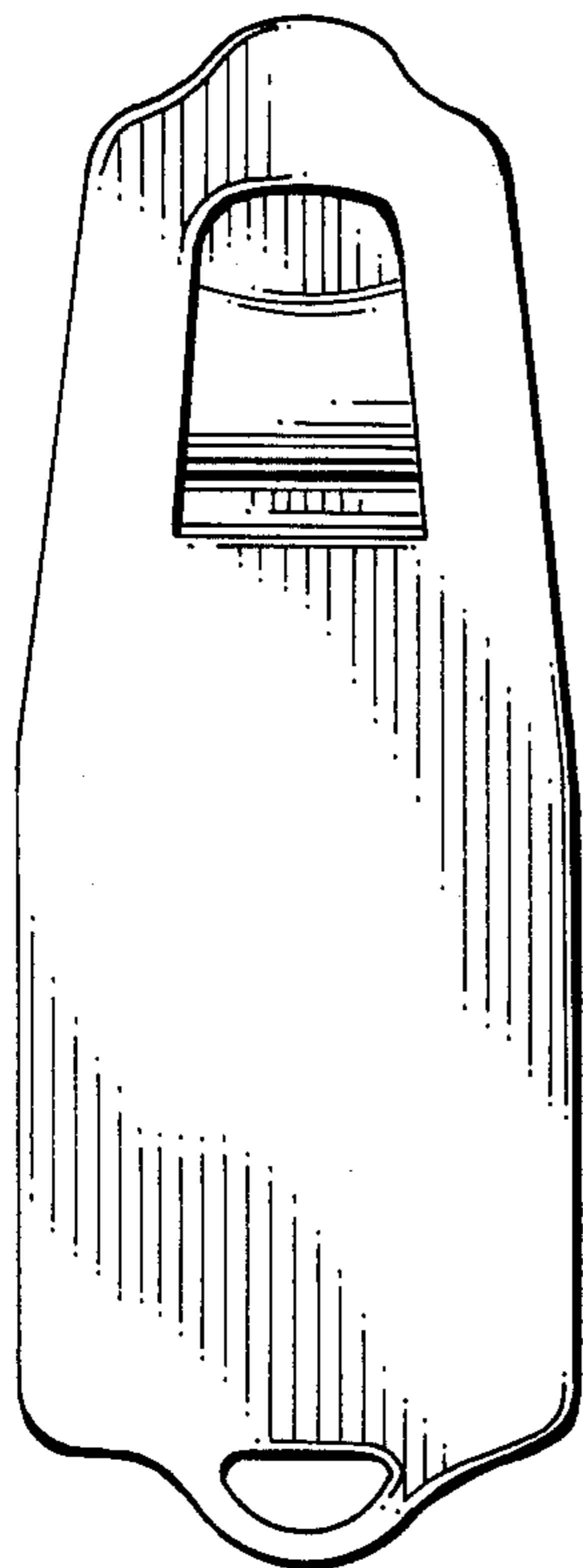


FIG. 2

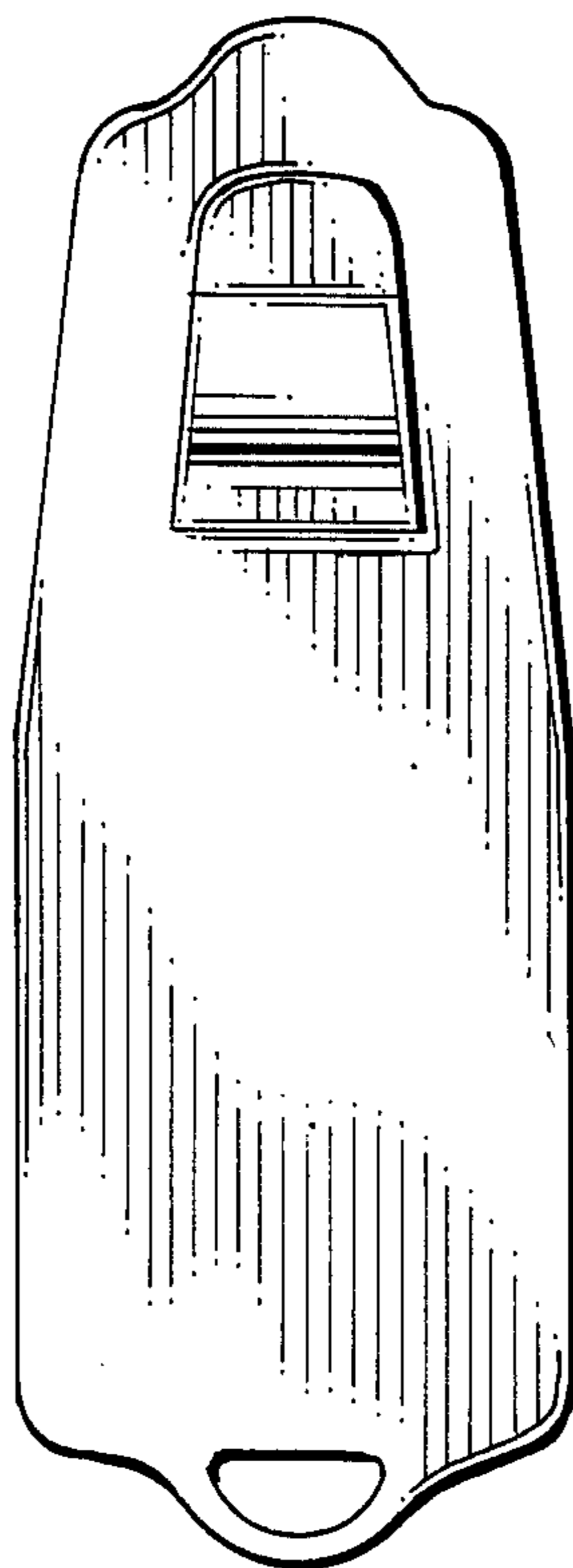


FIG. 3



FIG. 4