

[54] **CAN OPENER**

[75] **Inventor: Roger Kelly, Eau Claire, Wis.**

[73] **Assignee: National Presto Industries, Inc., Eau Claire, Wis.**

[\*\*] **Term: 14 Years**

[21] **Appl. No.: 766,254**

[22] **Filed: Aug. 16, 1985**

[52] **U.S. Cl. .... D8/36**

[58] **Field of Search ..... D8/36, 18, 33; 30/400, 30/410, 416, 421-426**

[56] **References Cited**

**U.S. PATENT DOCUMENTS**

4,561,182 12/1985 Yamamoto et al. .... 30/400 X

*Primary Examiner*—Bernard Ansher  
*Assistant Examiner*—Terry Pfeffer  
*Attorney, Agent, or Firm*—Merchant, Gould, Smith, Edell, Welter & Schmidt

[57] **CLAIM**

The ornamental design for a can opener, substantially as shown.

**DESCRIPTION**

FIG. 1 is a front and top-right perspective view of a can opener showing my new design;  
FIG. 2 is a front elevational view thereof;  
FIG. 3 is a right side elevational view thereof;  
FIG. 4 is a left side elevational view thereof;  
FIG. 5 is a rear elevational view thereof;  
FIG. 6 is a top plan view thereof; and  
FIG. 7 is a bottom plan view thereof.

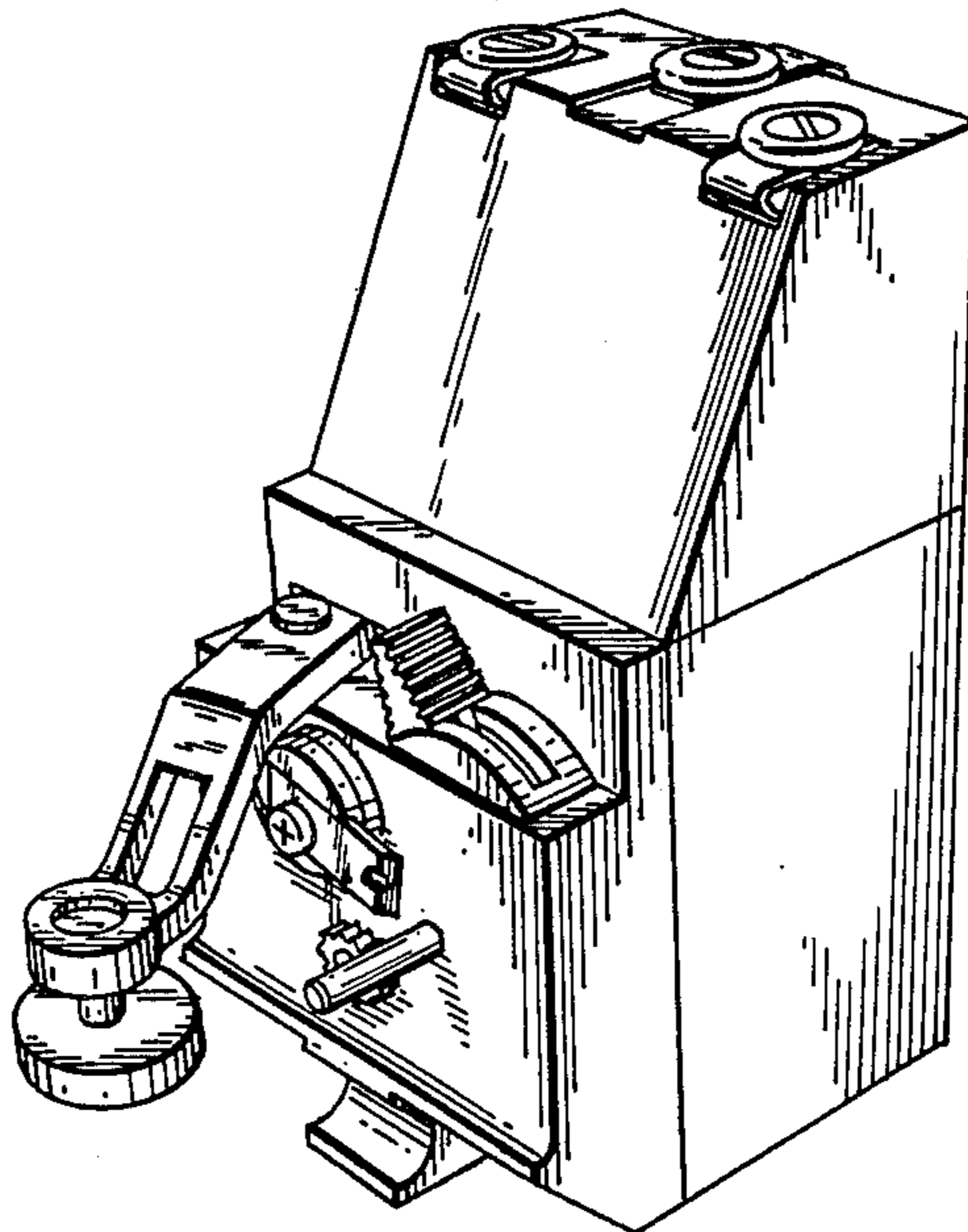


FIG. 1

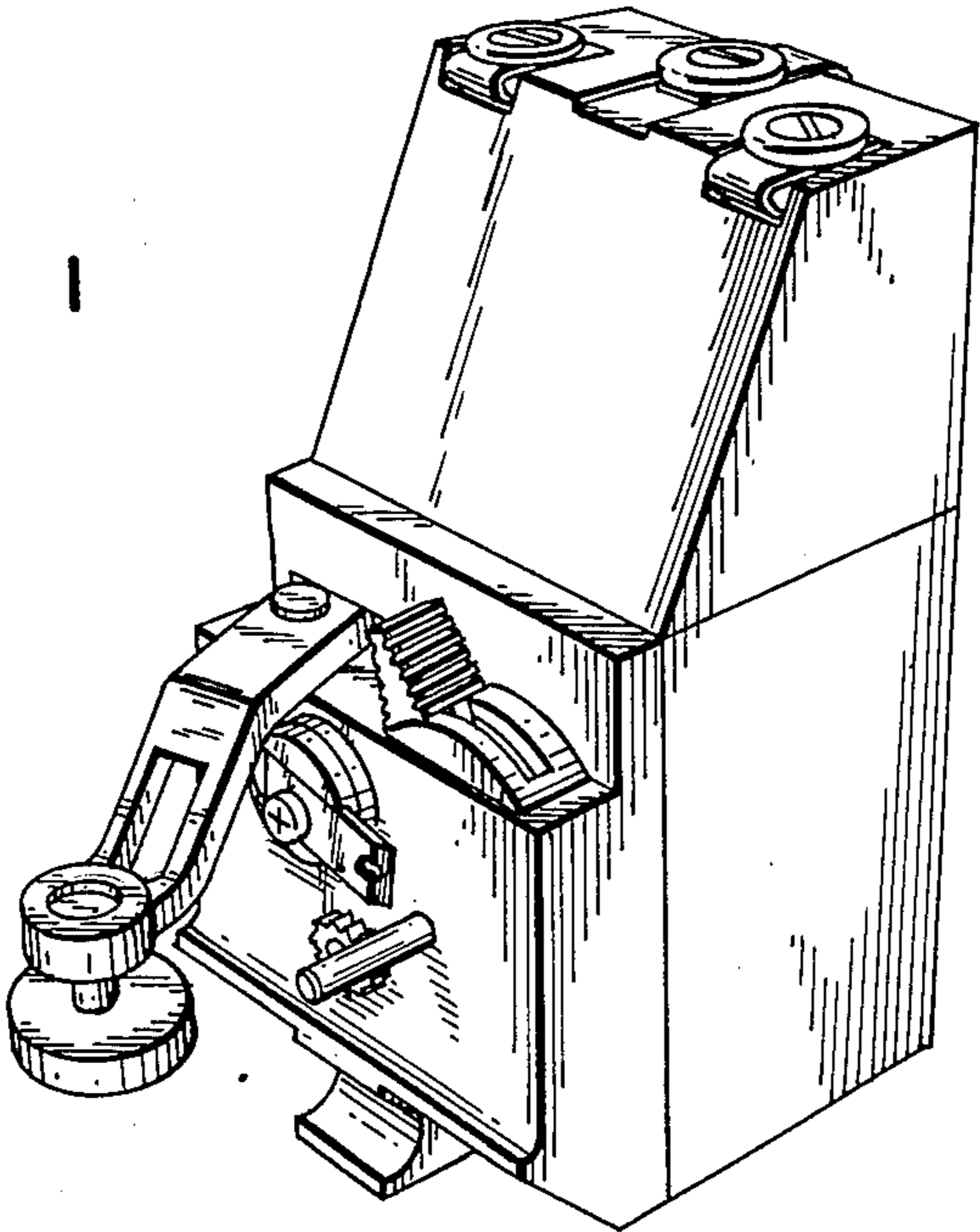


FIG. 2

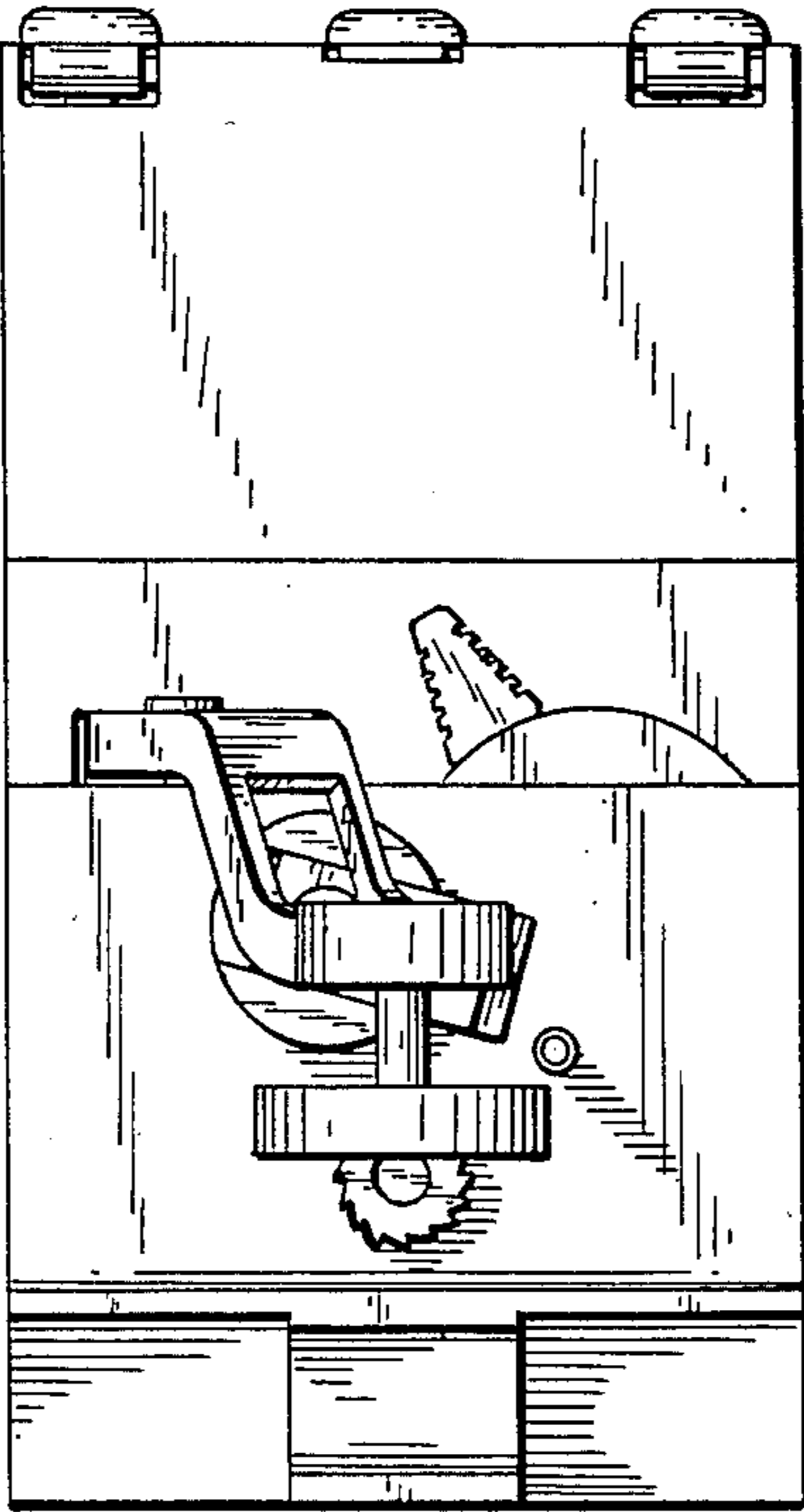


FIG. 3

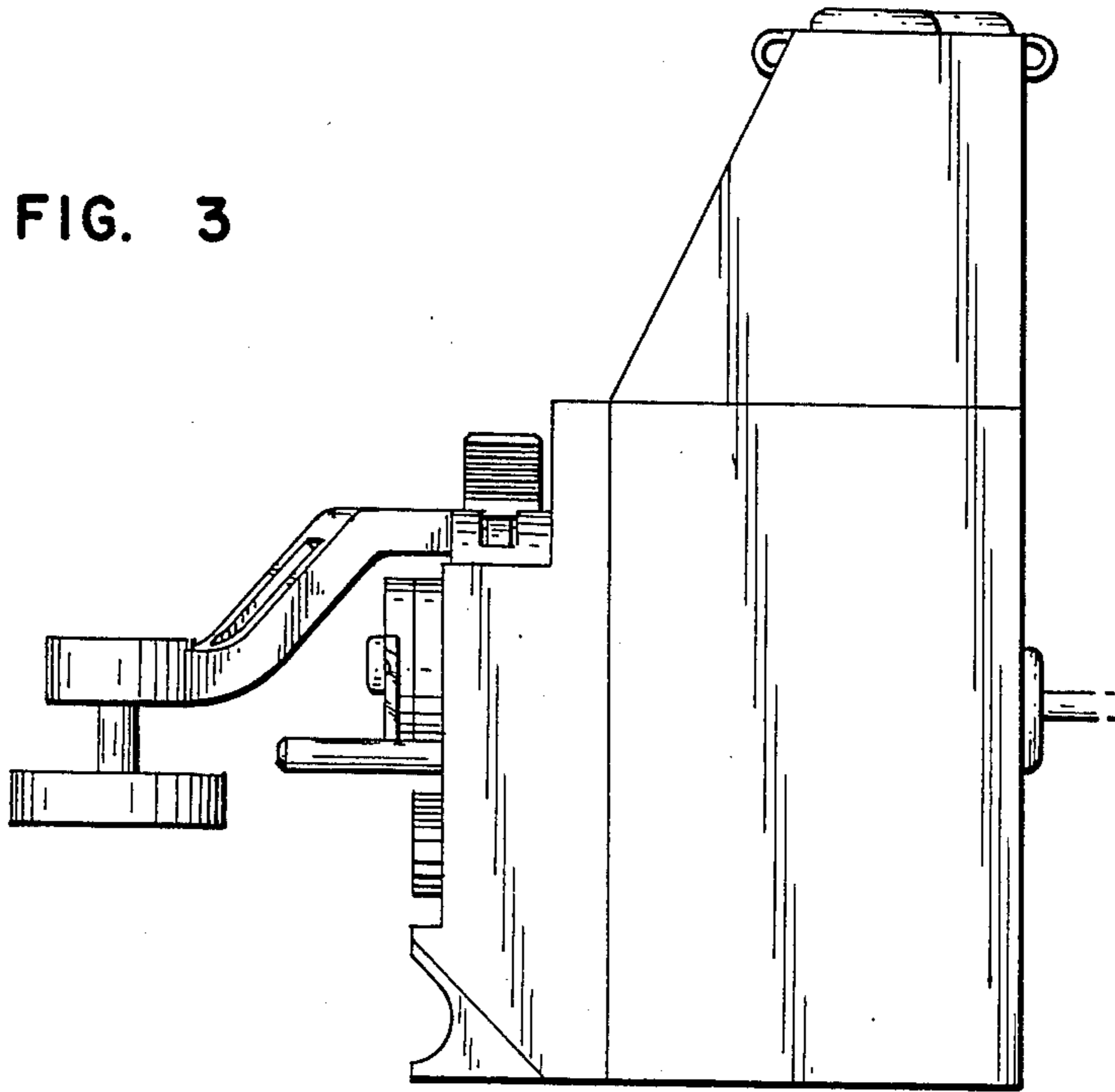


FIG. 4

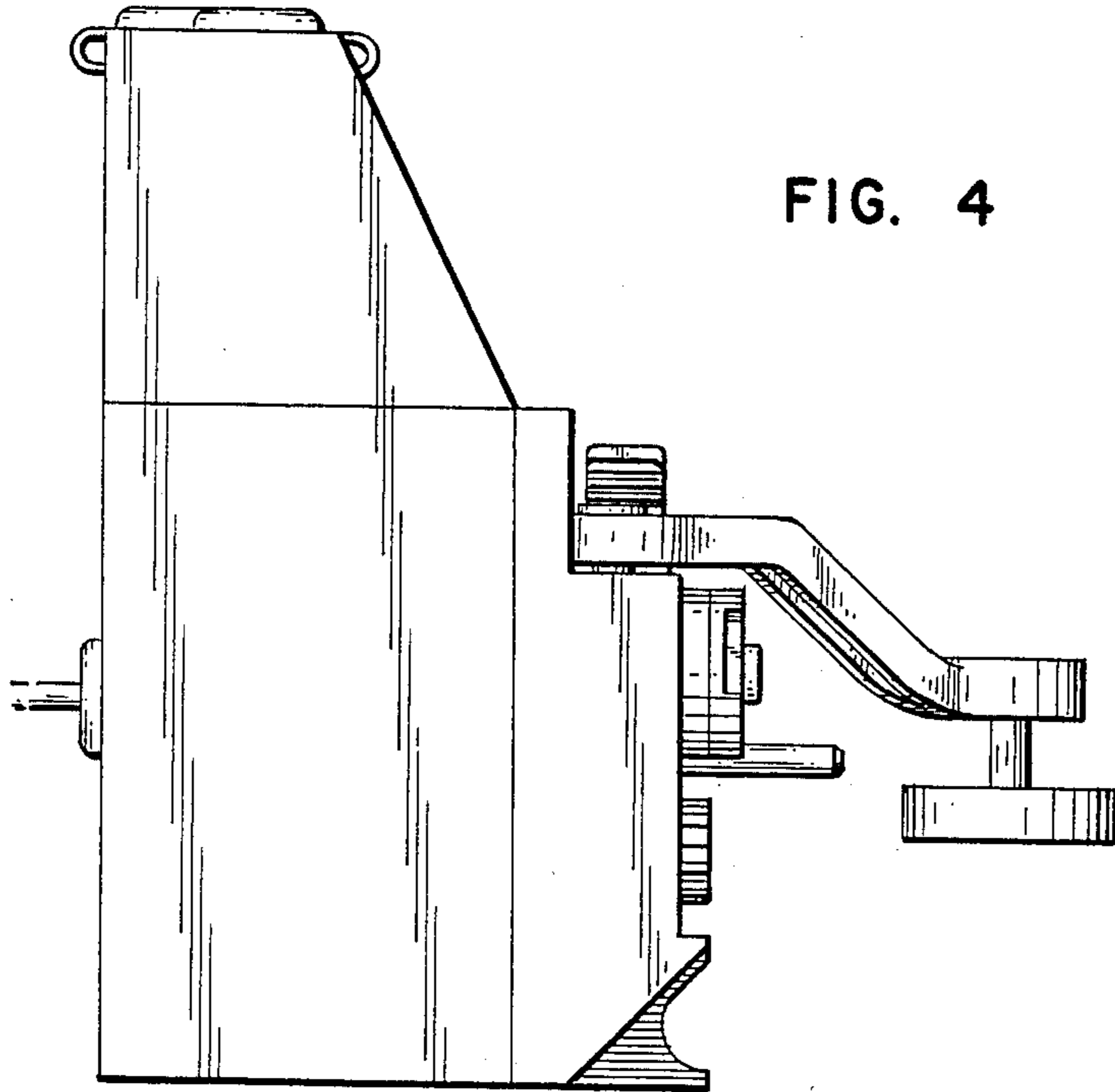


FIG. 5

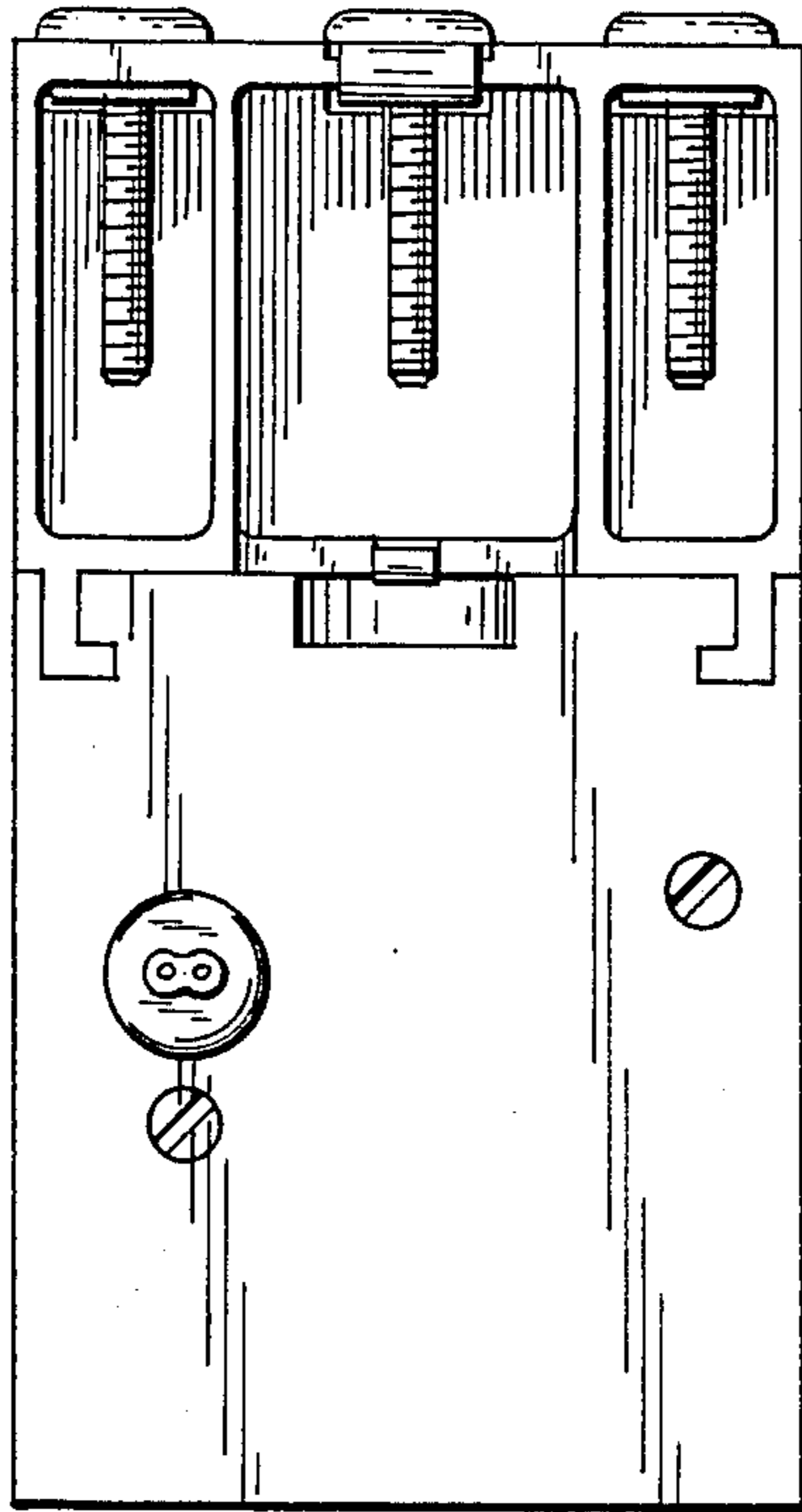


FIG. 6

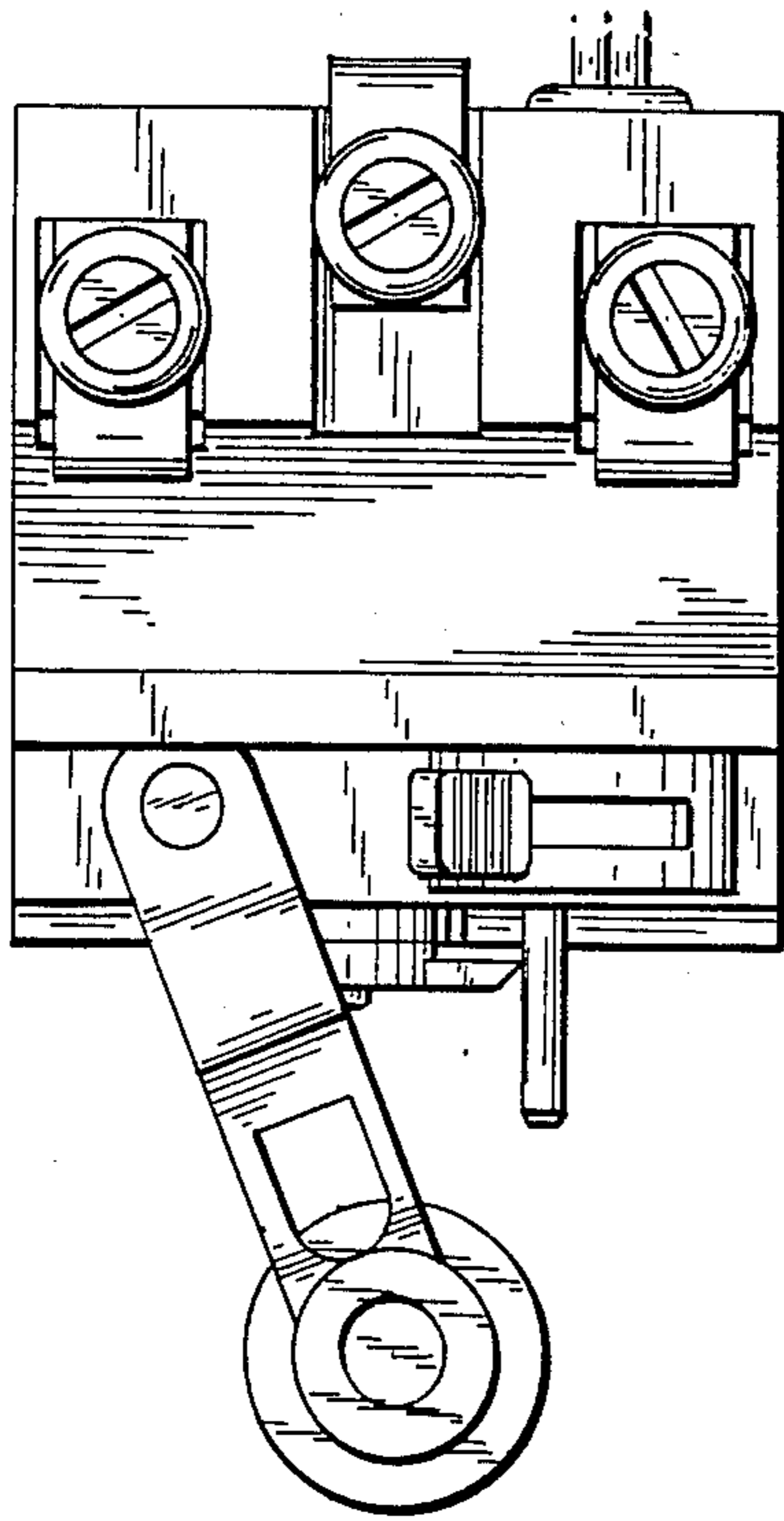


FIG. 7

