

United States Patent [19]

Faaborg

[11] Patent Number: Des. 296,648

[45] Date of Patent: ** Jul. 12, 1988

[54] **STOVE TOP BROILER**

[76] Inventor: Paul G. Faaborg, 5580 Wood Valley Dr., Haslett, Mich. 48840

[**] Term: 14 Years

[21] Appl. No.: 718,333

[22] Filed: Apr. 1, 1985

[52] U.S. Cl. D7/402

[58] Field of Search D7/323, 331-332, D7/334, 337-341, 346-348, 406-409, 354-355, 359, 362-363, 366-367, 402; 126/41 R, 41 D, 14; 99/444-446, 422, 400

[56] **References Cited**

U.S. PATENT DOCUMENTS

1,057,449	4/1913	Noreck	126/41 D
2,180,868	11/1939	Dunning et al.	126/41 R
3,308,747	3/1967	Spagnolo	99/425
3,714,394	1/1973	Evans	219/387

3,994,212	11/1976	Wong	99/444
4,598,634	7/1986	Van Horn, II	99/400

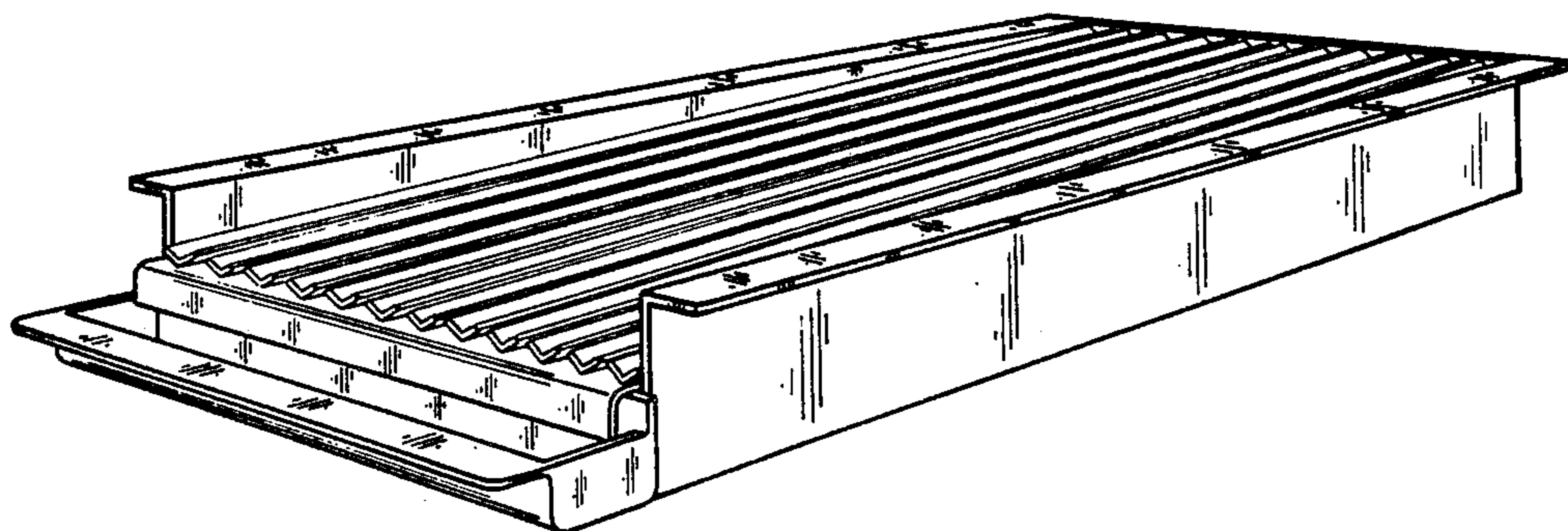
Primary Examiner—Susan J. Lucas
Assistant Examiner—Ruth Takemoto
Attorney, Agent, or Firm—Miller, Morriss and Pappas

[57] **CLAIM**

The ornamental design for stove top broiler, as shown and described.

DESCRIPTION

FIG. 1 is a perspective view of a stove top broiler showing my new design;
FIG. 2 is a top plan view thereof;
FIG. 3 is a side elevational view thereof, the opposite side being a mirror image;
FIG. 4 is a bottom plan view thereof;
FIG. 5 is an end elevational view thereof; and
FIG. 6 is an end elevational view of the opposite end of that shown in FIG. 5.



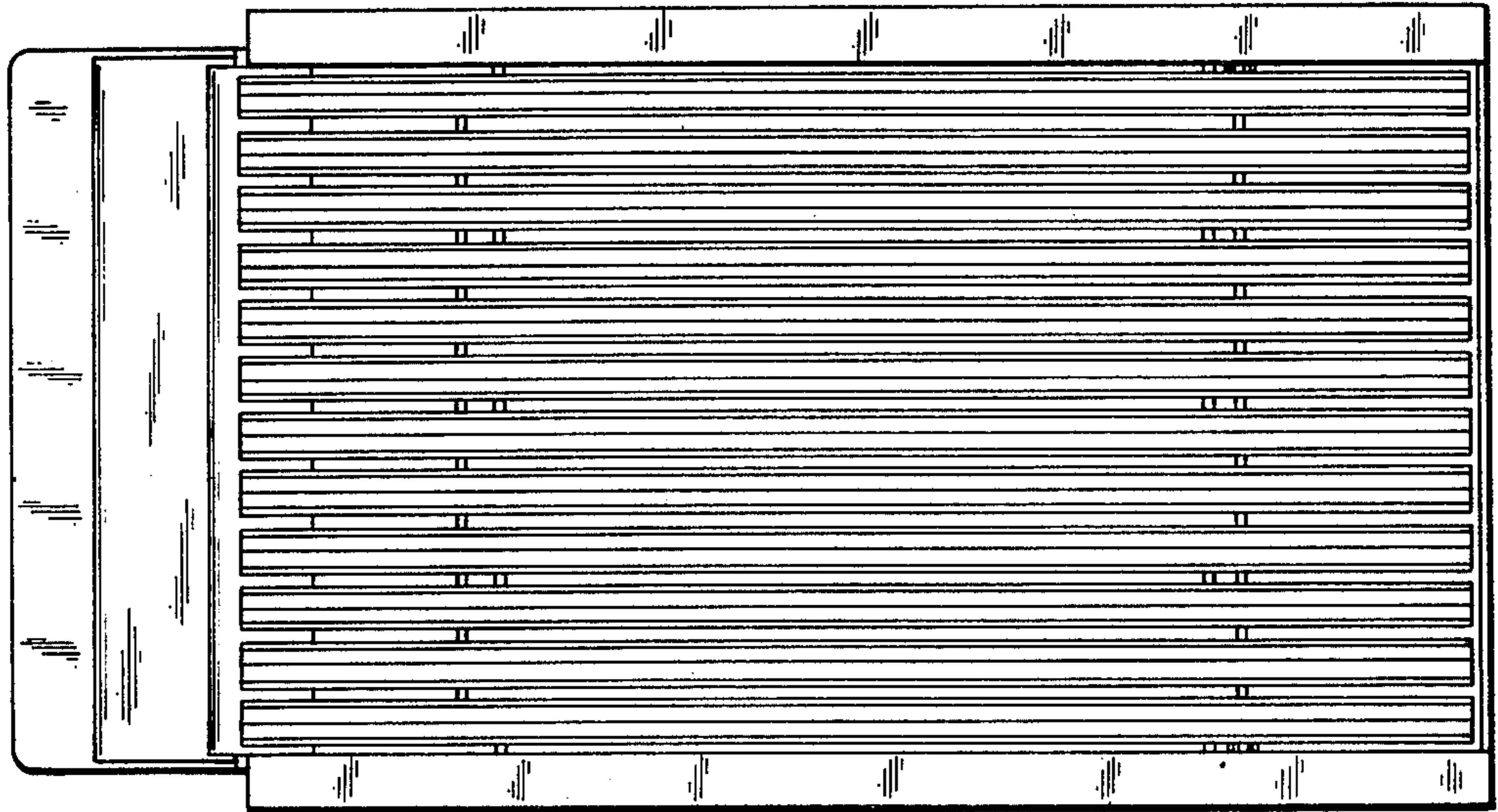


FIG. 2

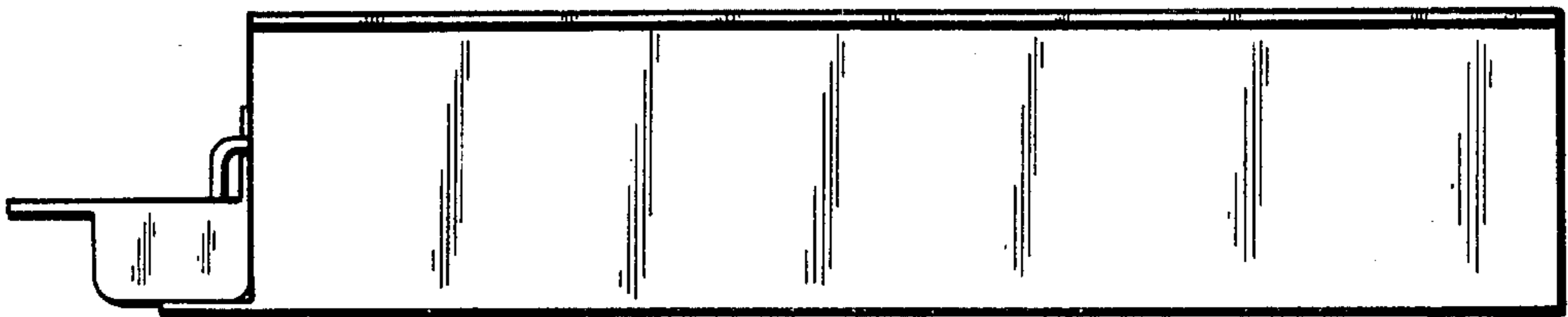


FIG. 3

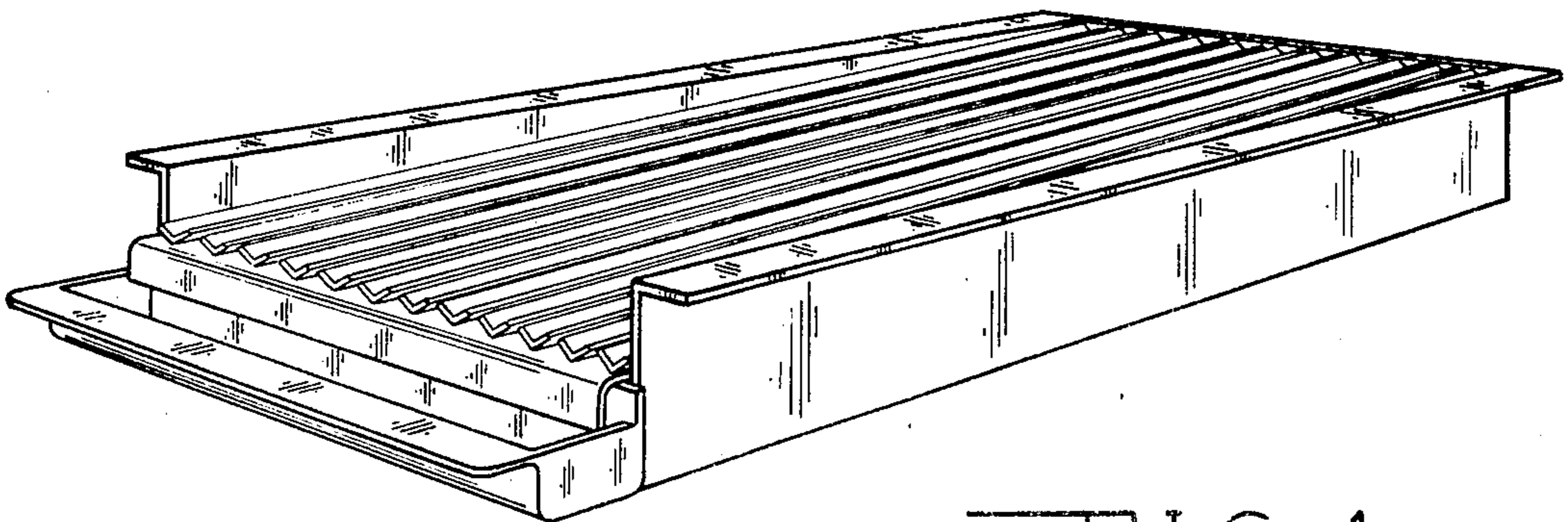


FIG. 1

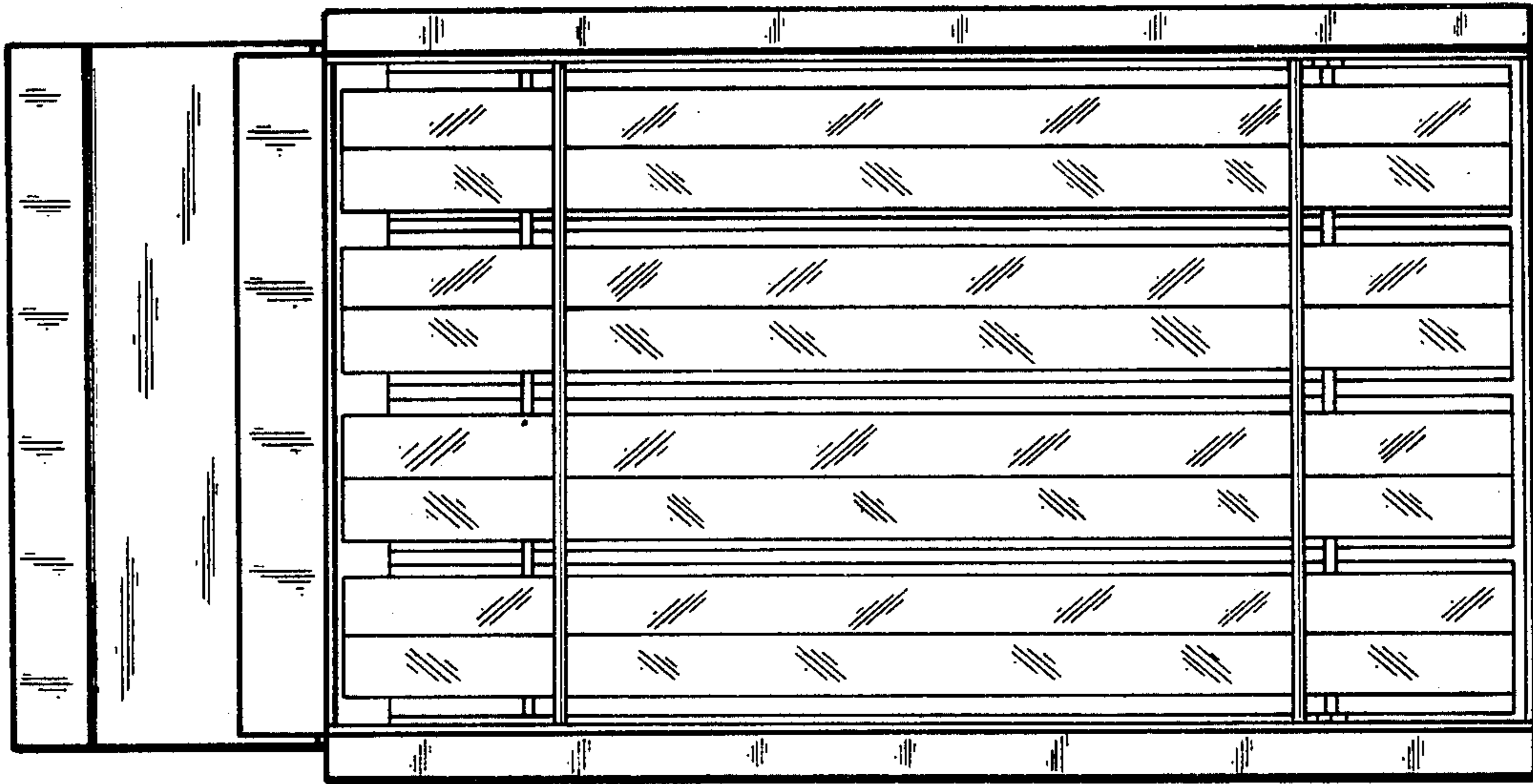


FIG. 4

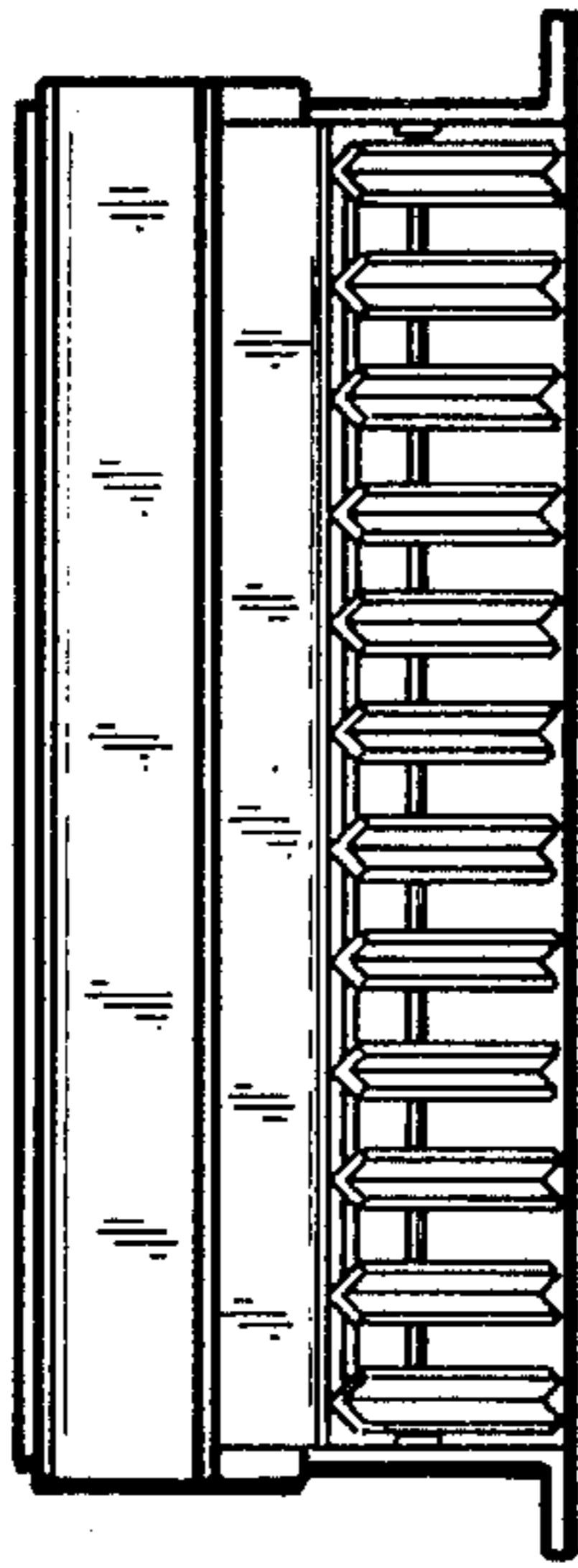


FIG. 5

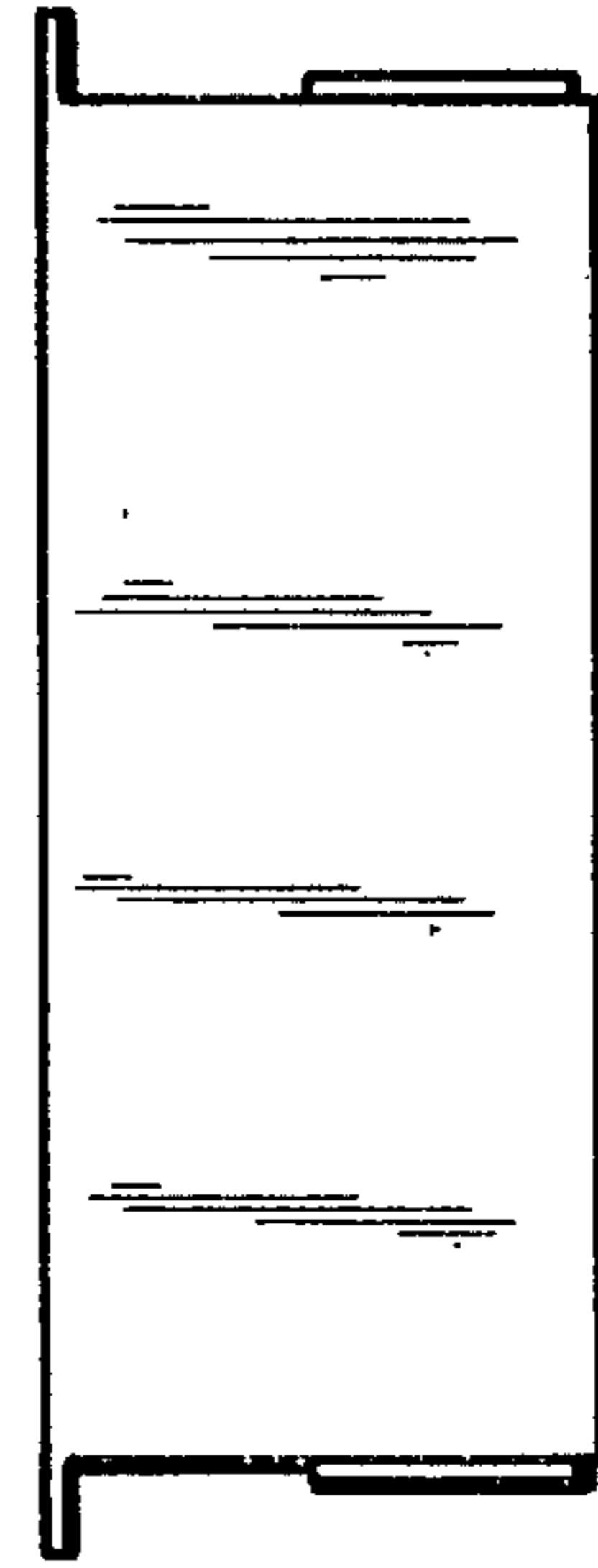


FIG. 6