

United States Patent [19]

Yoder

[11] Patent Number: Des. 296,646

[45] Date of Patent: ** Jul. 12, 1988

[54] CORN COB BUTTER CUTTER AND SPREADER

[76] Inventor: Charles A. Yoder, 1376 Countryside Dr., Millsboro, Del. 19966

[**] Term: 14 Years

[21] Appl. No.: 805,101

[22] Filed: Nov. 14, 1985

[52] U.S. Cl. D7/84

[58] Field of Search D7/84, 104, 99; 401/12, 401/171; 30/115, 124; 222/386

[56] **References Cited**

U.S. PATENT DOCUMENTS

D. 178,487 8/1956 Becker D7/99

2,811,844 11/1957 Selmer 30/115 X
2,893,032 7/1959 Selmer 401/12
3,652,171 3/1972 Carlson 401/12

Primary Examiner—Bernard Ansher
Assistant Examiner—Terry Pfeffer

[57] **CLAIM**

The ornamental design for a corn cob butter cutter and spreader, as shown and described.

DESCRIPTION

FIG. 1 is a right side elevational view of a corn cob butter and spreader showing my new design; FIG. 2 is a top plan view thereof; FIG. 3 is a bottom plan view thereof; FIG. 4 is a rear elevational view thereof; and, FIG. 5 is a top, front, right side perspective view thereof.

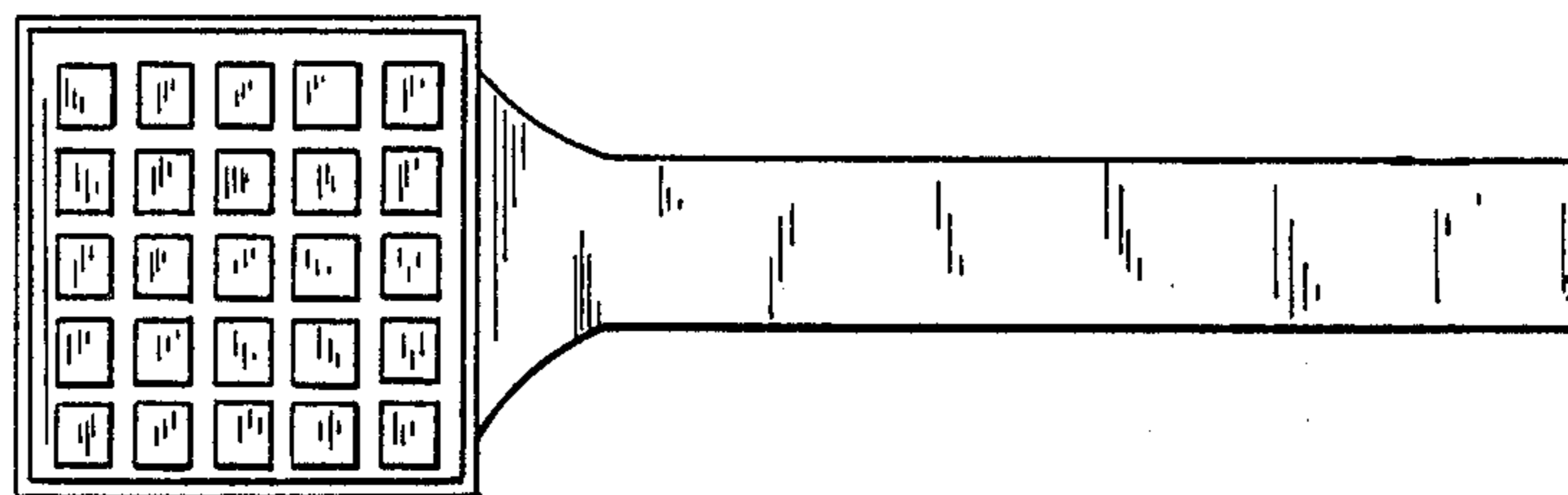
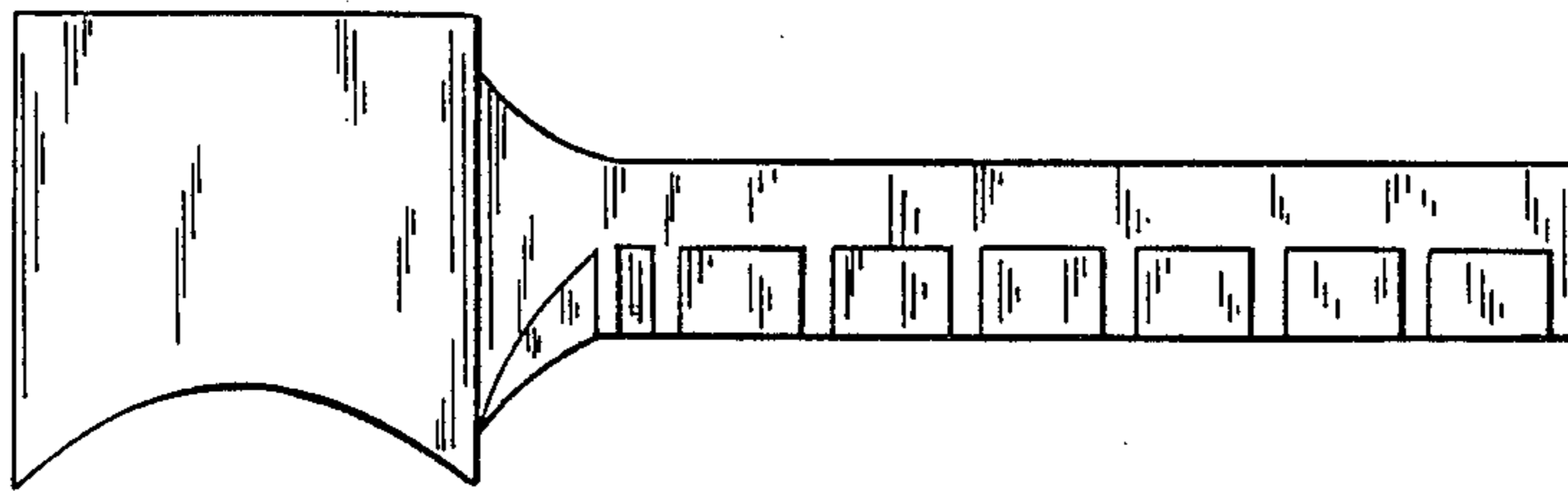


FIG. 1.

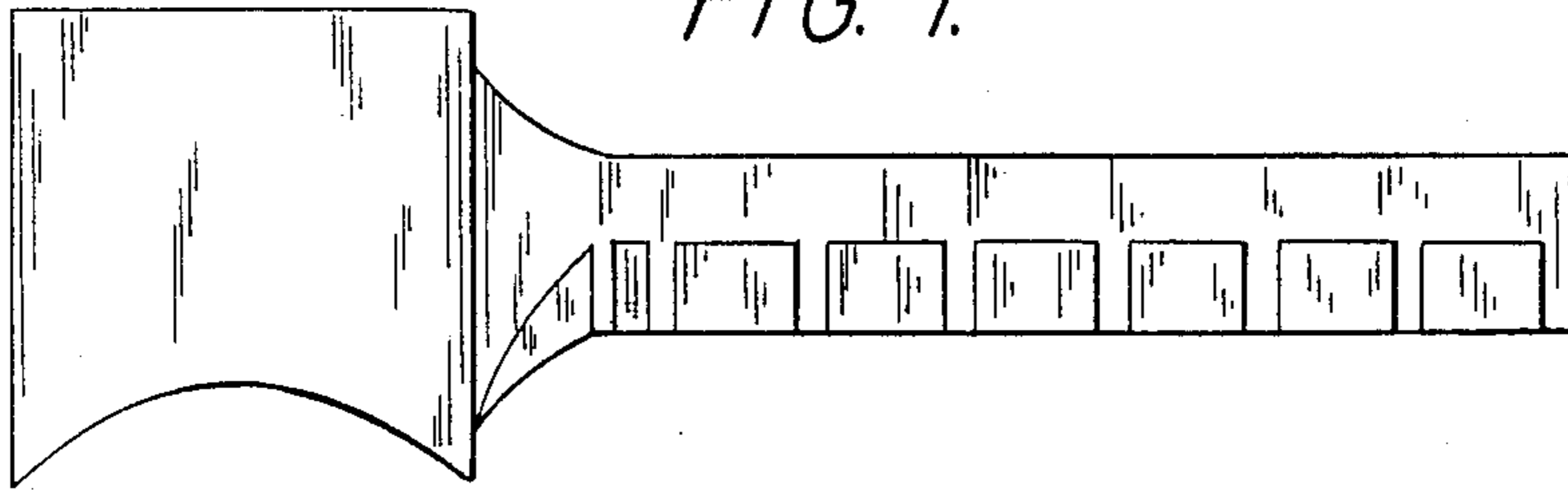


FIG. 2.

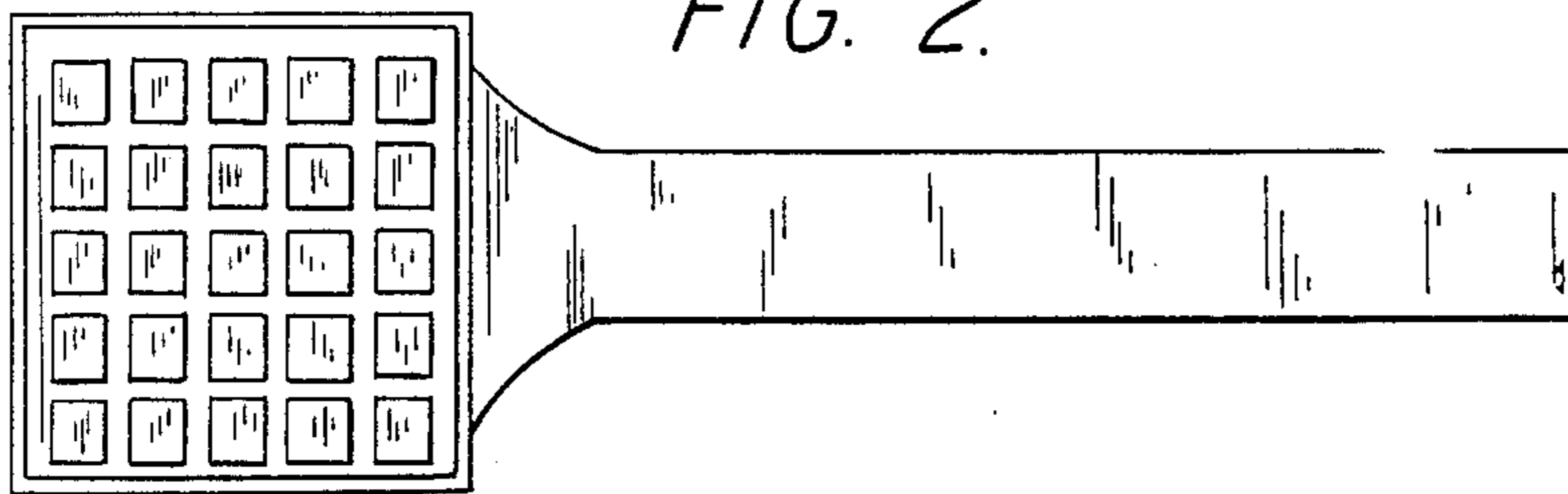


FIG. 3.

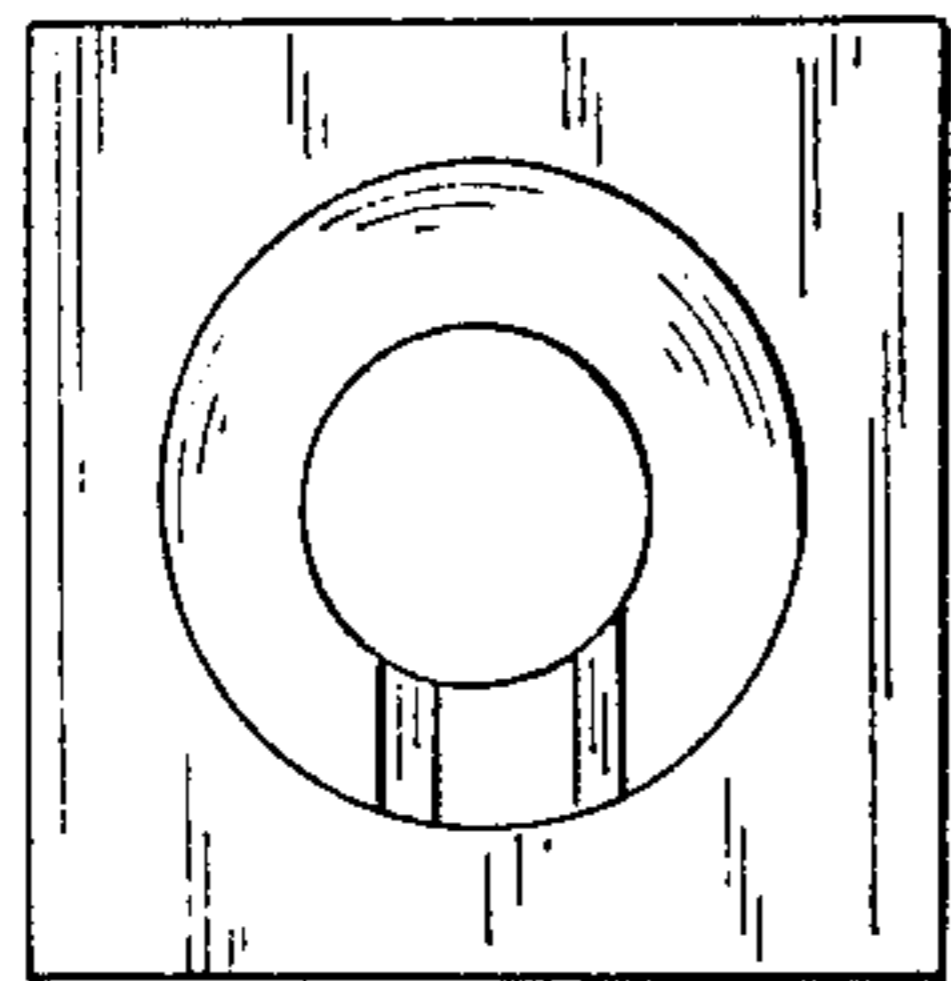
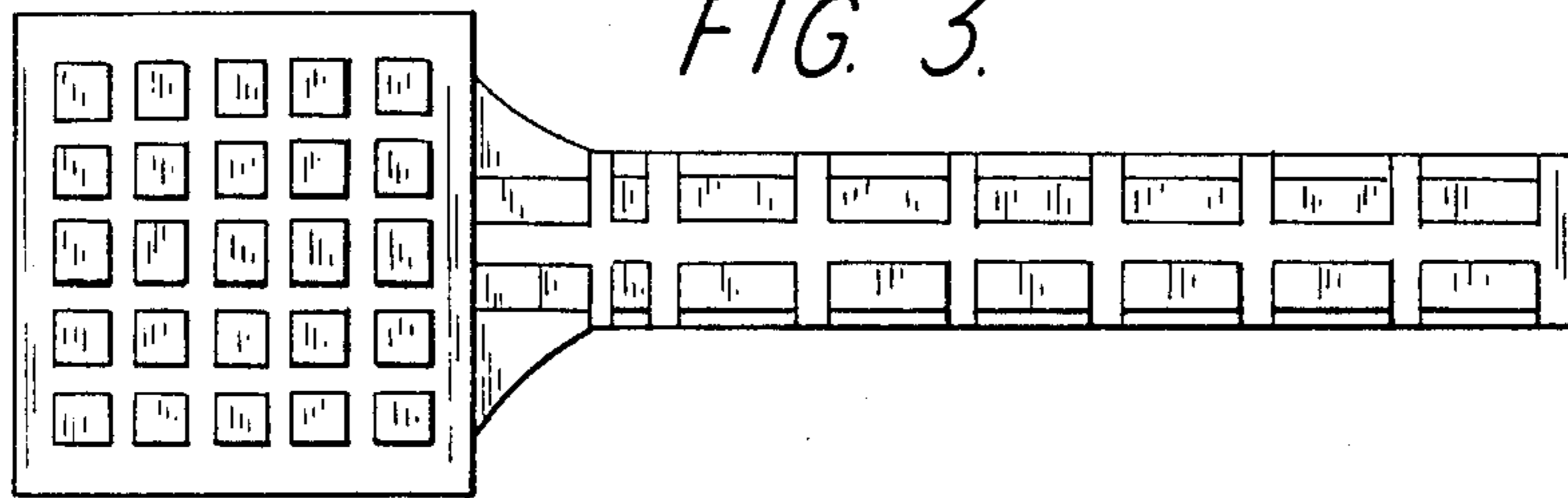


FIG. 4.

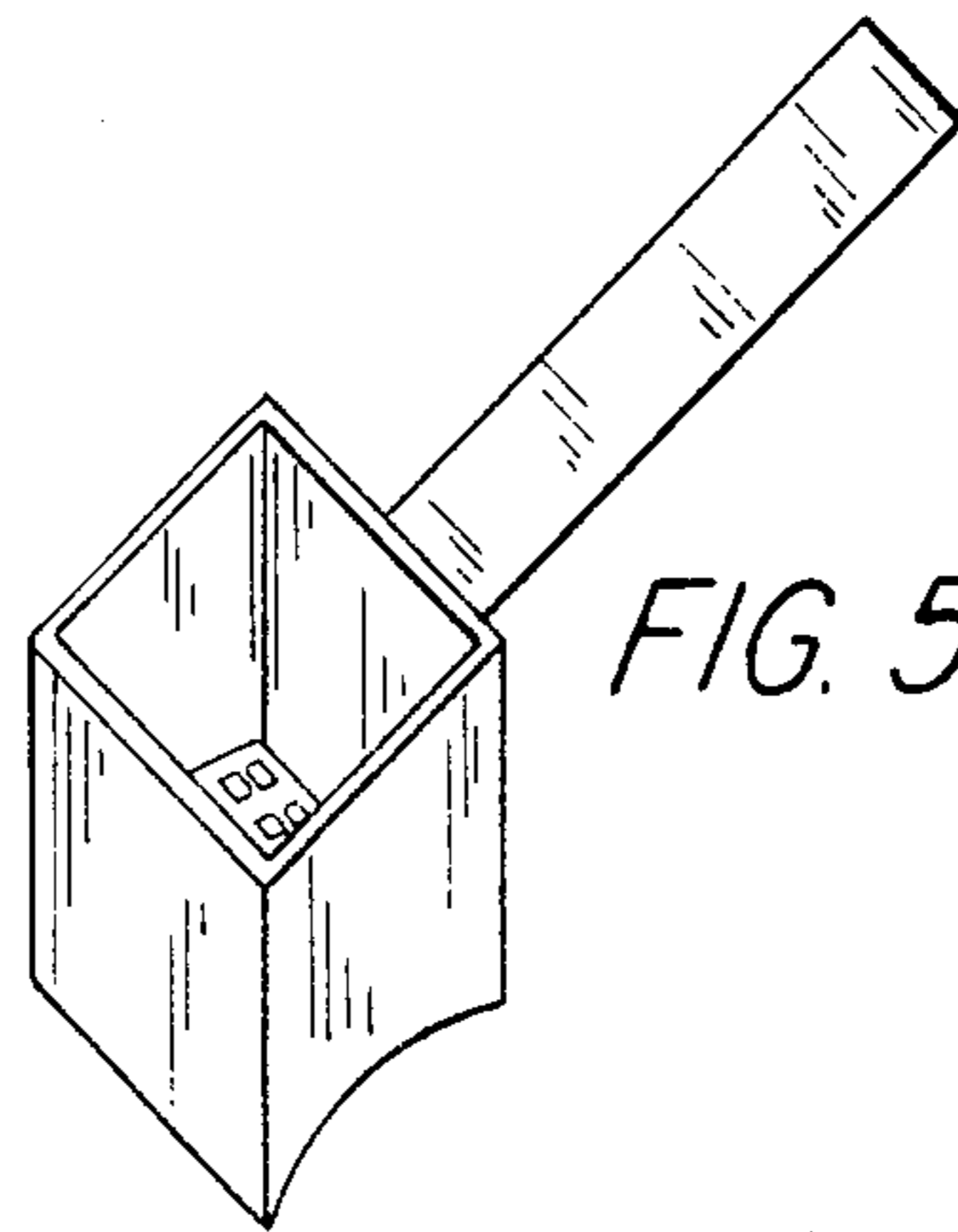


FIG. 5.