

United States Patent [19]

Seeley

[11] Patent Number: **Des. 296,645**

[45] Date of Patent: **** Jul. 12, 1988**

[54] **VACUUM BOTTLE**

[76] Inventor: **Mark C. Seeley, 2018 Erin Loop E., Colorado Springs, Colo. 80907**

[**] Term: **14 Years**

[21] Appl. No.: **804,972**

[22] Filed: **Nov. 14, 1985**

[52] U.S. Cl. **D7/77**

[58] Field of Search **D7/76, 77, 319, 9; D9/352, 399; 215/13 R, 13 A, 12 R, 12 A; 220/94 A, 410-412**

[56] **References Cited**

U.S. PATENT DOCUMENTS

D. 222,521 10/1971 Johnson **D7/77**

D. 223,899 6/1972 Zundel **D9/352**
3,327,881 6/1967 Maier **215/6**
3,384,257 5/1968 Fourqurean **D7/9 X**

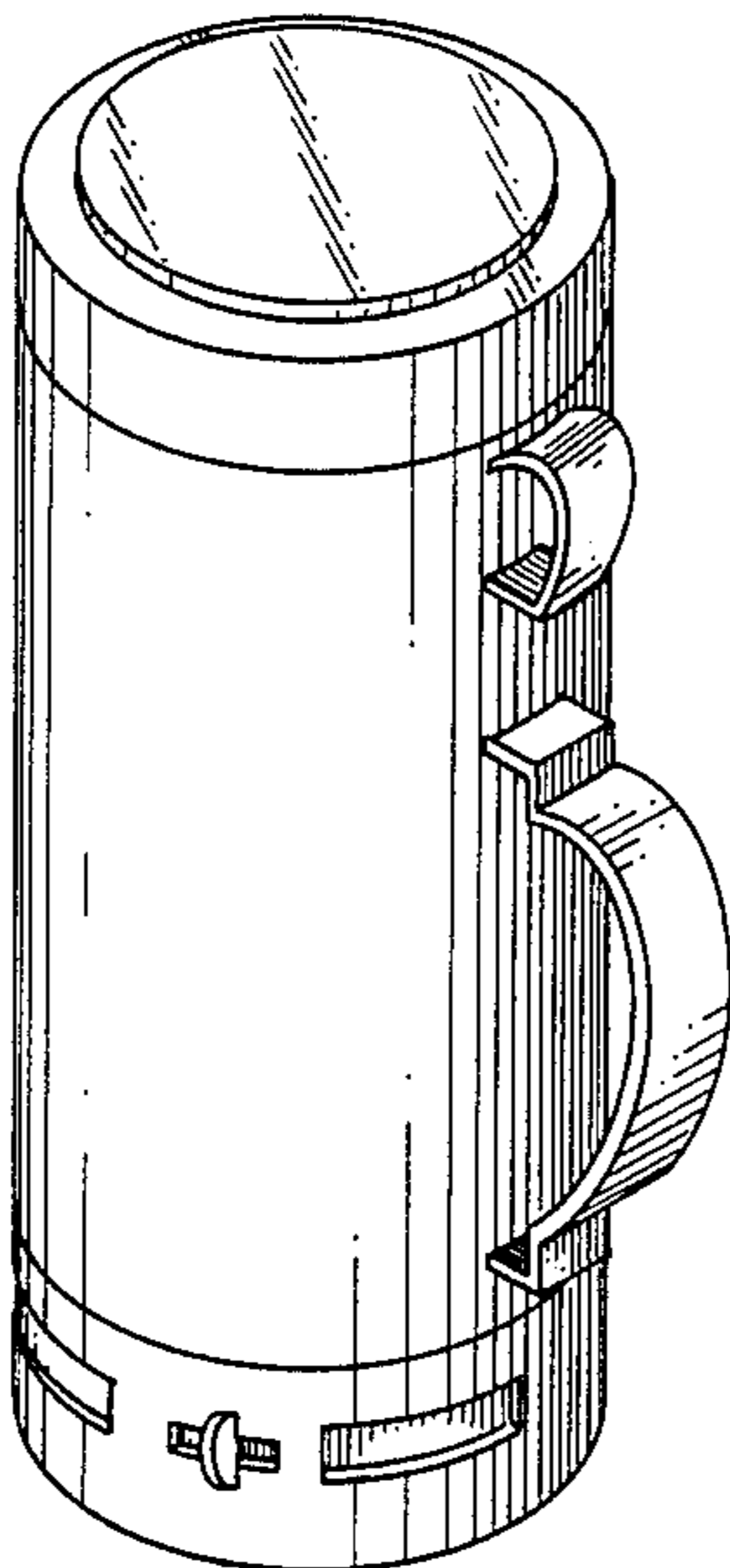
Primary Examiner—Bernard Ansher
Assistant Examiner—Terry Pfeffer
Attorney, Agent, or Firm—Terry M. Gernstein

[57] **CLAIM**

The ornamental design for a vacuum bottle, as shown and described.

DESCRIPTION

FIG. 1 is a perspective view of a vacuum bottle showing my new design;
FIG. 2 is a left side elevational view thereof;
FIG. 3 is a top plan view thereof.
FIG. 4 is an exploded perspective view thereof.



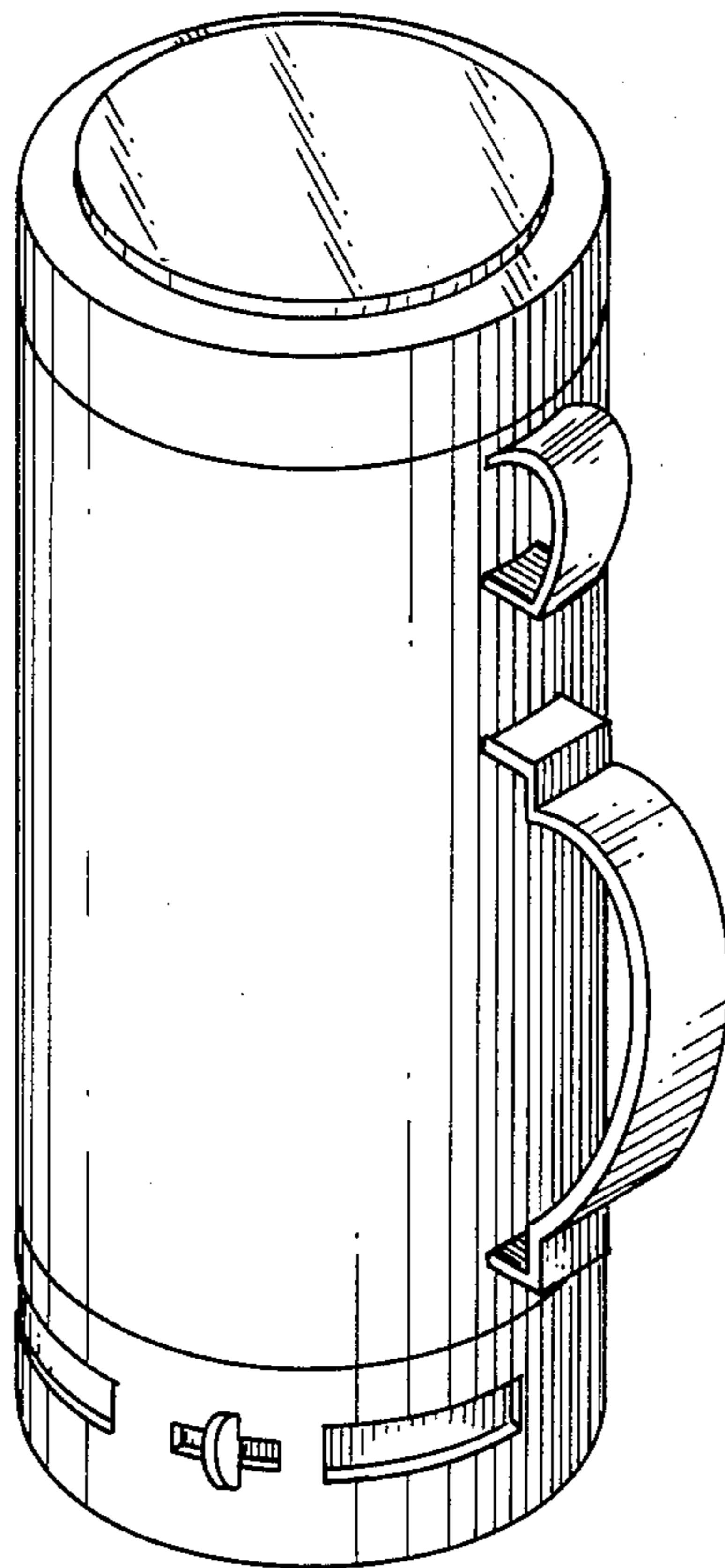


Fig. 1

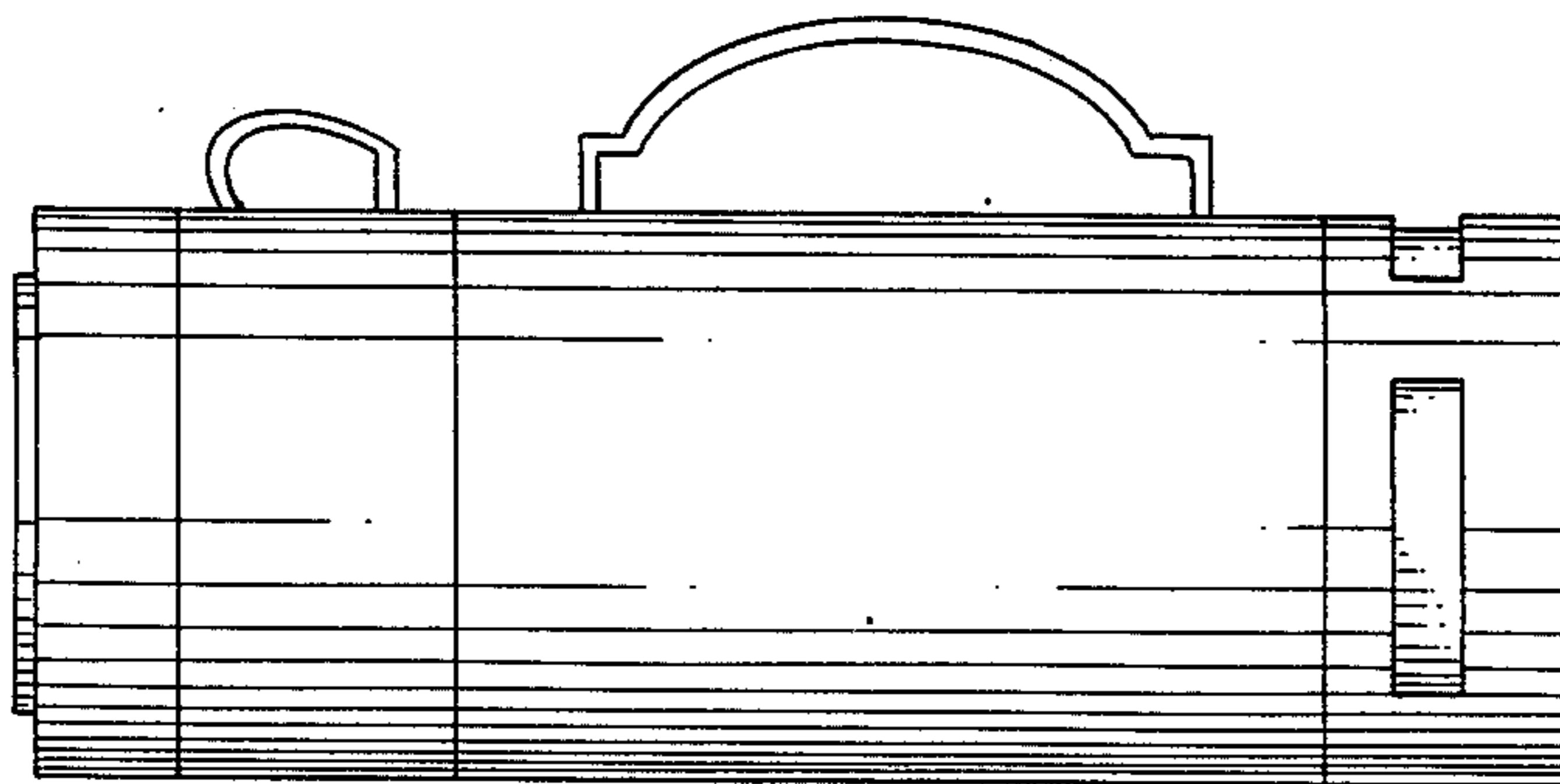


Fig. 2

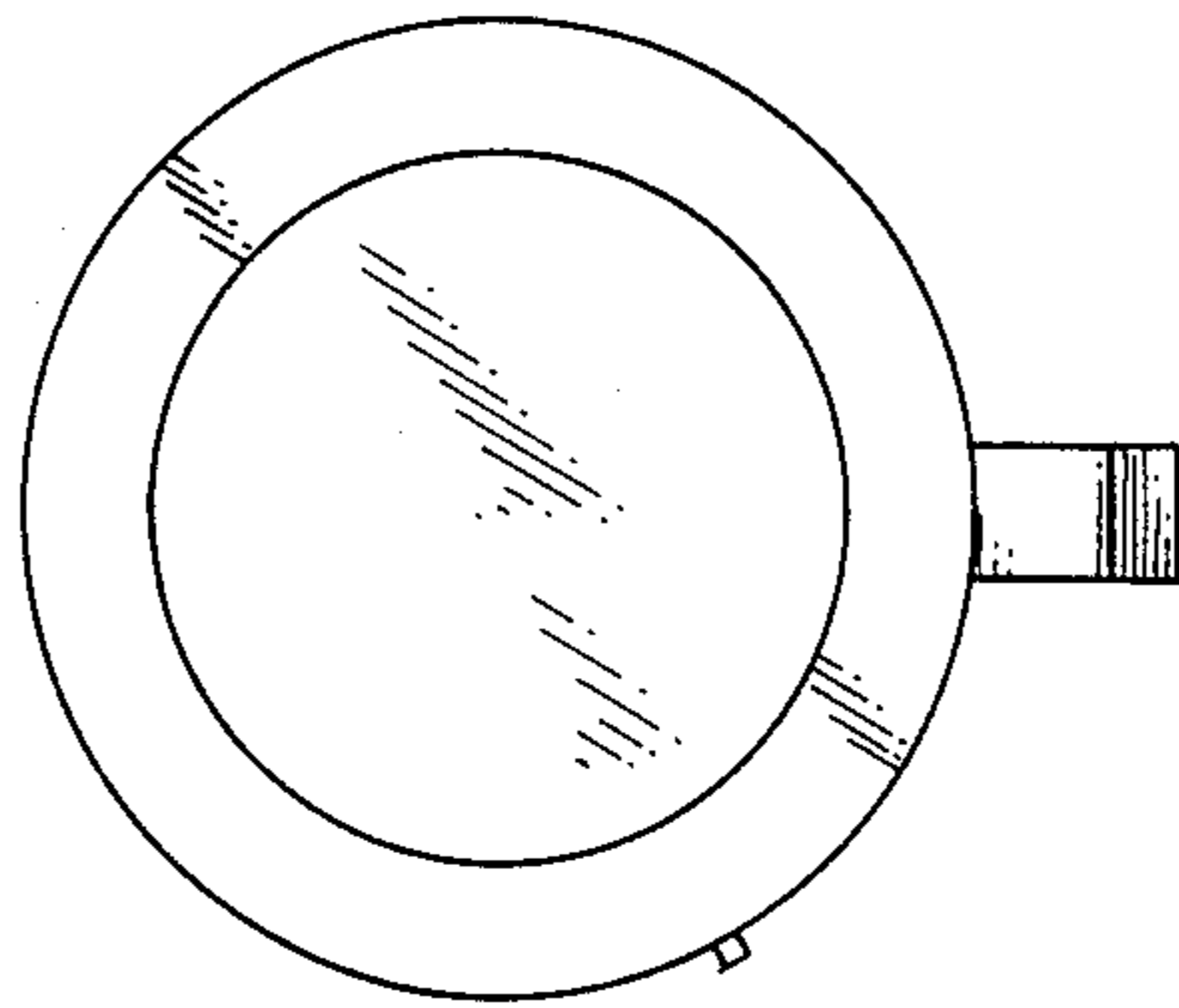


Fig. 3

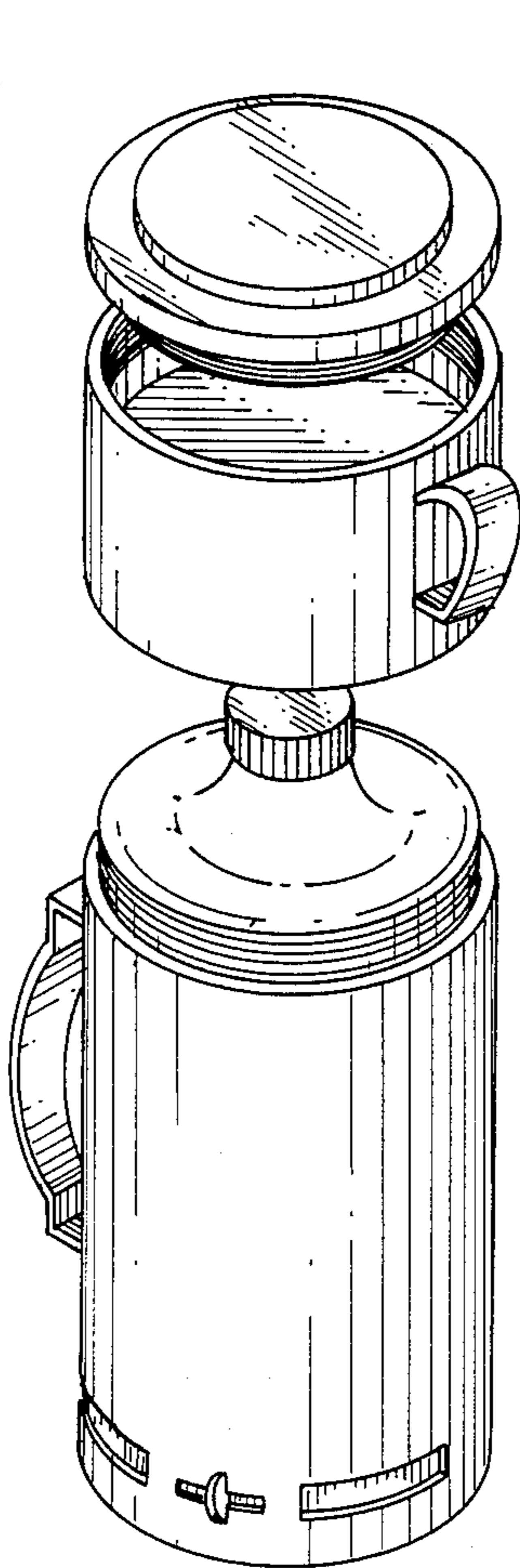


Fig. 4