

[54] COOKING BASKET

[75] Inventor: David J. Mueller, Kewaunee, Wis.

[73] Assignee: General Housewares Corporation, Terre Haute, Ind.

[**] Term: 14 Years

[21] Appl. No.: 752,964

[22] Filed: Jul. 8, 1985

[52] U.S. Cl. D7/47; D7/361

[58] Field of Search D7/47, 361, 400; 210/DIG. 8, 470, 471

Kitchen Bazaar, 9/8/84, p. 18B, Omelet Pan, top middle row.

Metro Marketing Country Kitchen—Heavy Gauge Aluminum Seafood Boiling Pot.

Drexel Country Kitchen Deep Fryers.

Drexel Country Kitchen—Heavy Gauge Aluminum Boiling Pot.

Primary Examiner—Bernard Ansher

Assistant Examiner—Terry Pfeffer

Attorney, Agent, or Firm—Wolf, Greenfield & Sacks

[57] CLAIM

The ornamental design for a cooking basket, as shown and described.

DESCRIPTION

FIG. 1 is a perspective view of a cooking basket showing my new design;

FIG. 2 is a rear elevational view thereof;

FIG. 3 is a top plan view thereof;

FIG. 4 is a bottom plan view thereof; and

FIG. 5 is a right side elevational view thereof, the opposite side being a mirror image.

[56] References Cited

FOREIGN PATENT DOCUMENTS

254563 7/1926 United Kingdom D7/47

OTHER PUBLICATIONS

Mirro Catalog, 1941, p. 37, Steamer, 2nd from the bottom.

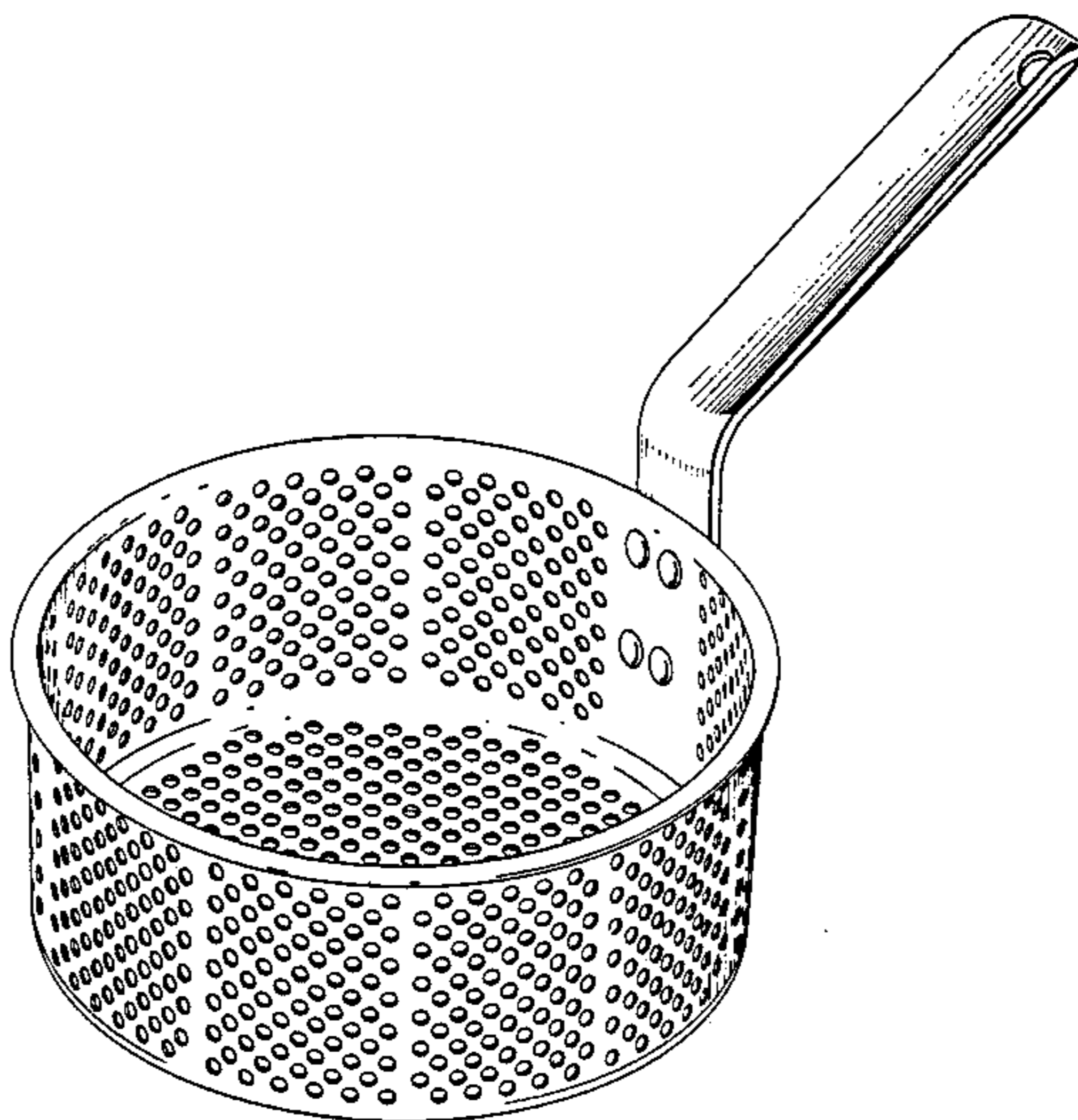


FIG. 1

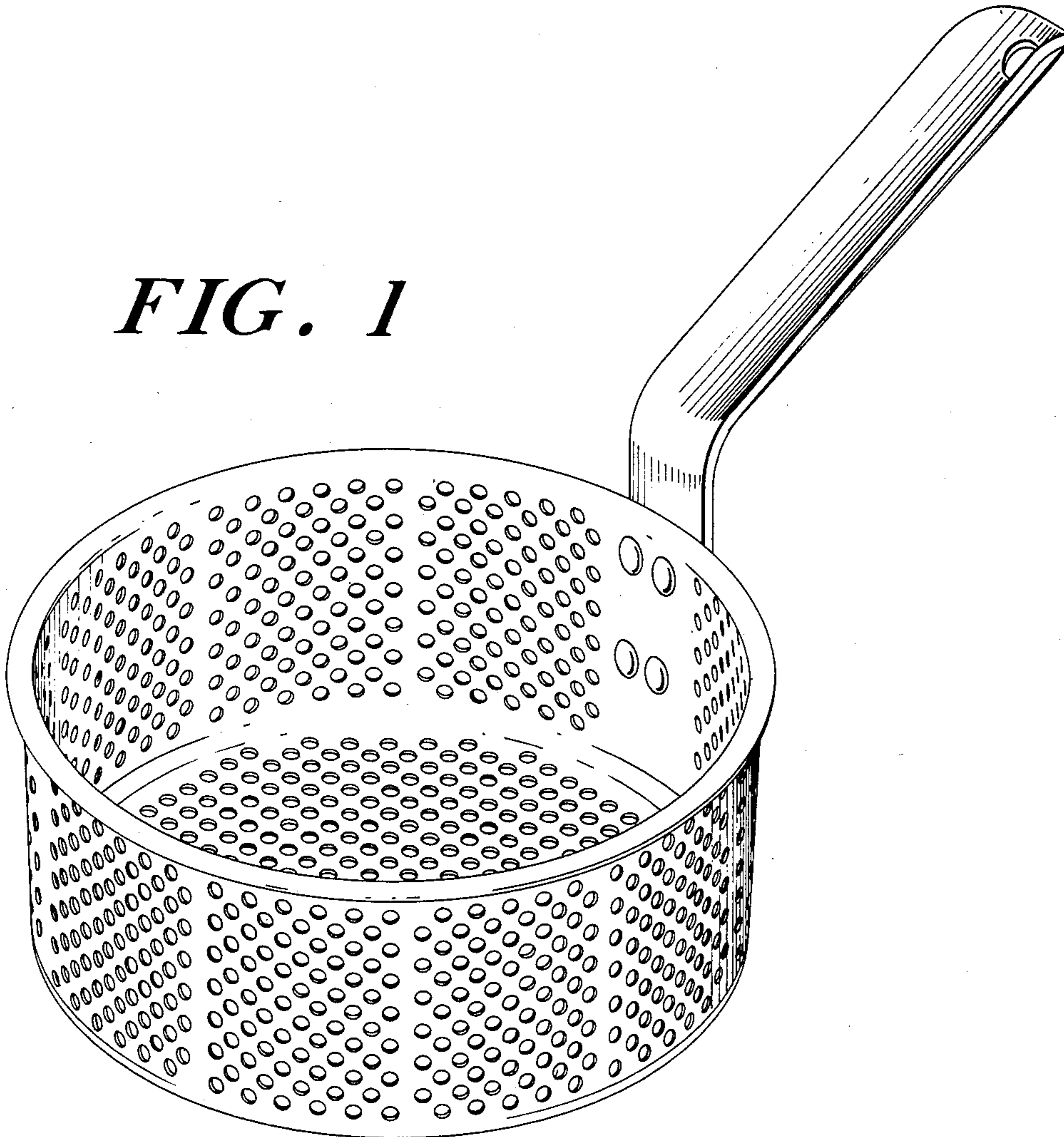
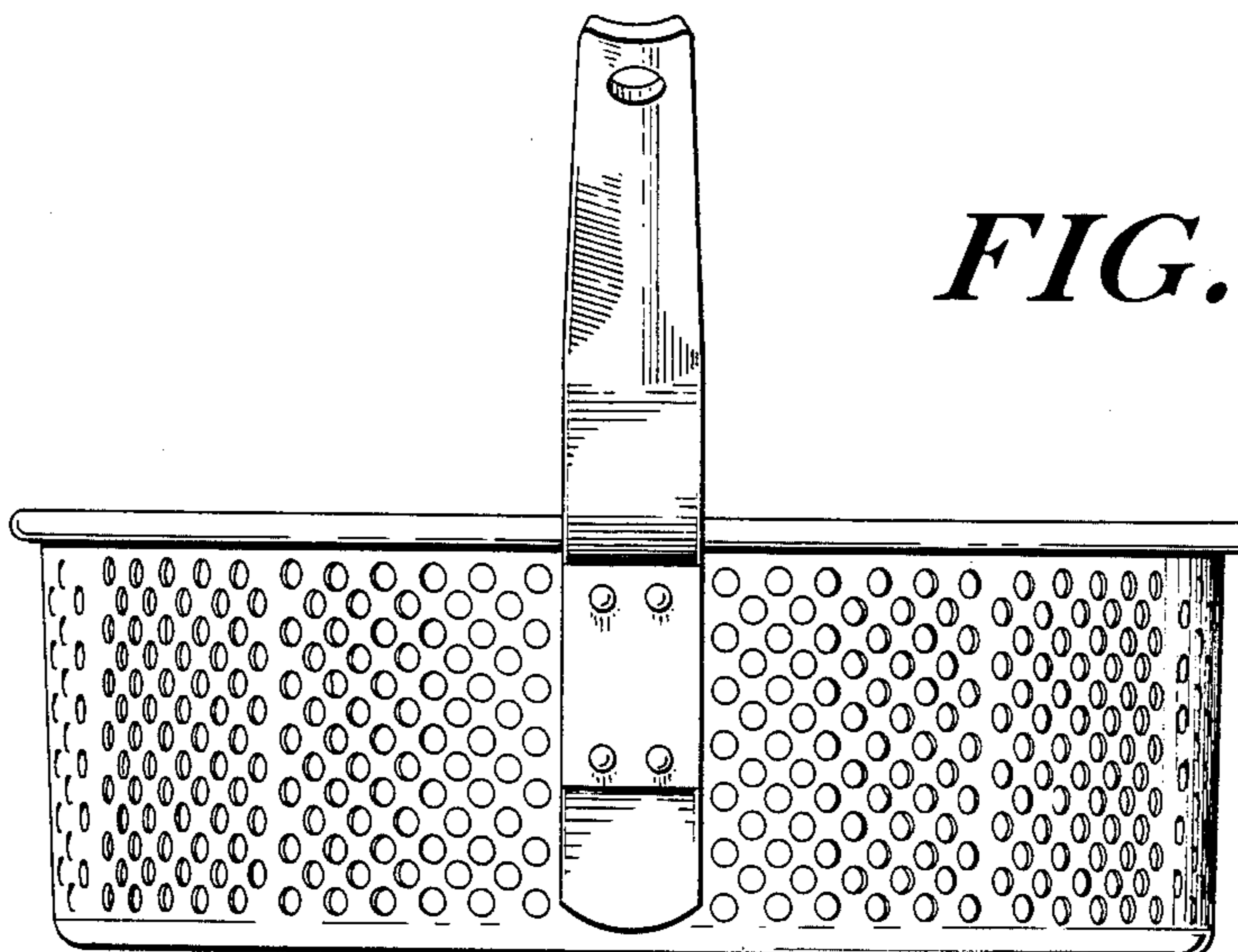


FIG. 2



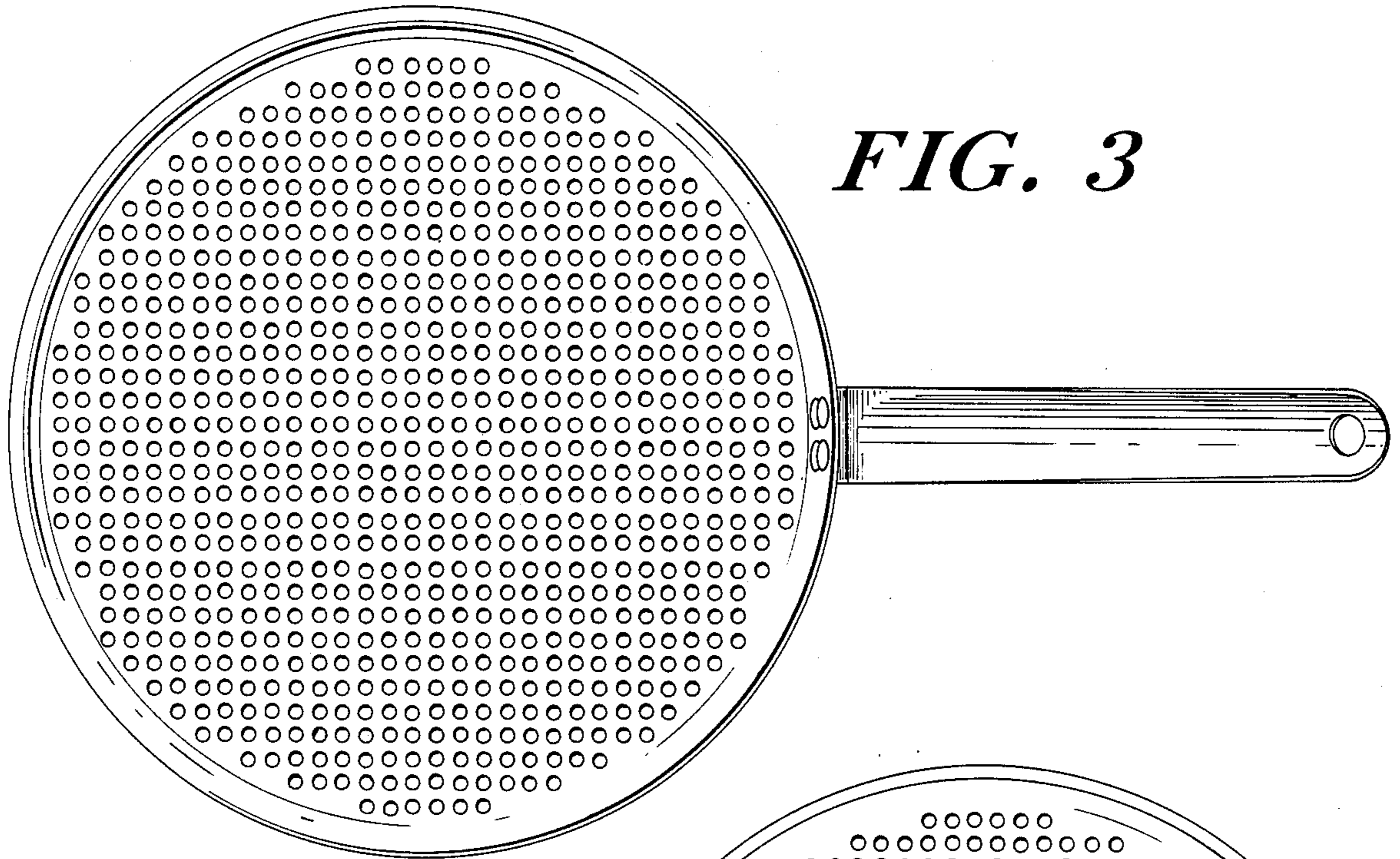


FIG. 3

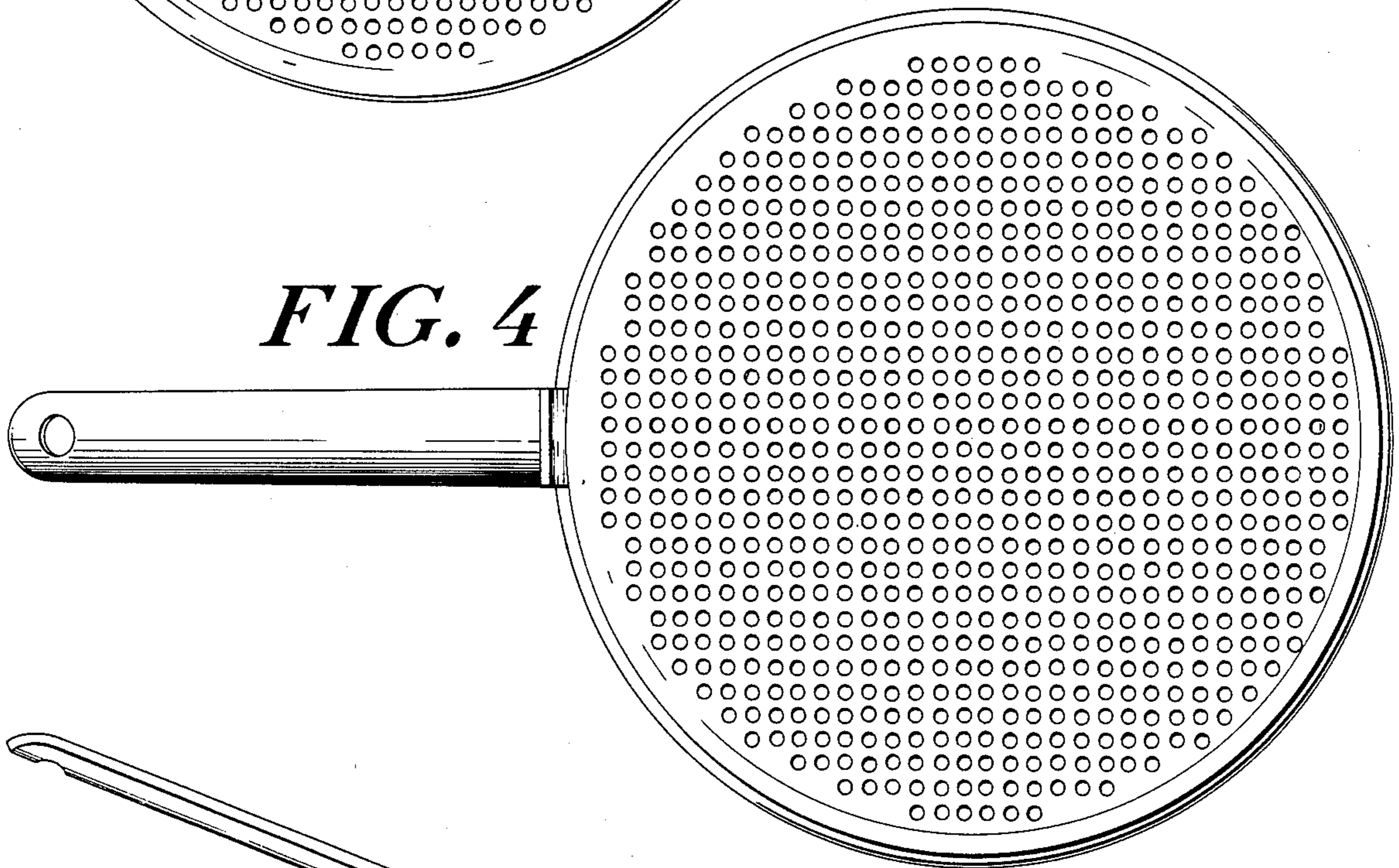


FIG. 4

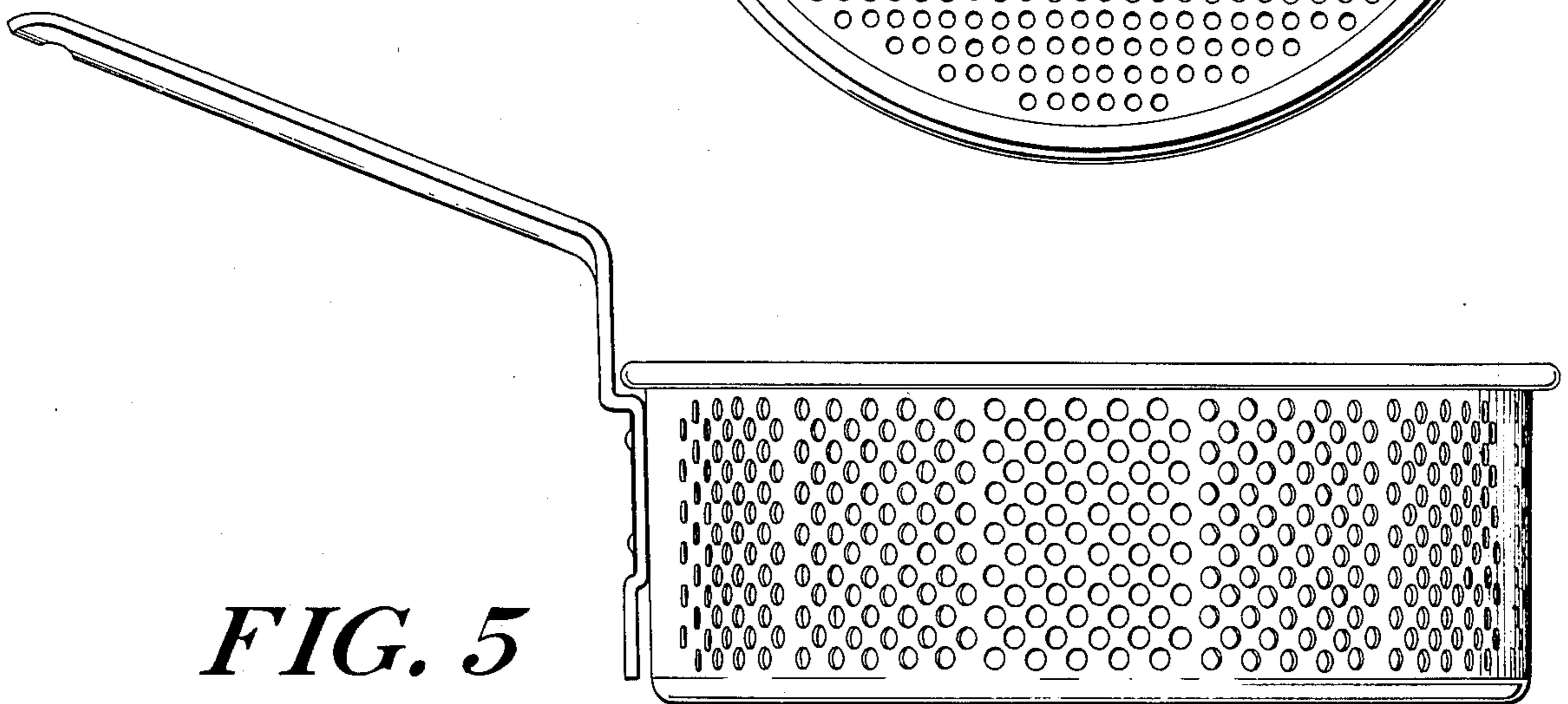


FIG. 5