

United States Patent [19]

Suttles

[11] Patent Number: **Des. 296,634**

[45] Date of Patent: **** Jul. 12, 1988**

[54] **CABINET DOOR**

[75] Inventor: **J. Marshall Suttles, Elberton, Ga.**

[73] Assignee: **Royston Corporaton, Royston, Ga.**

[**] Term: **14 Years**

[21] Appl. No.: **817,108**

[22] Filed: **Jan. 8, 1986**

[52] U.S. Cl. **D6/492**

[58] Field of Search **D6/422-428,**
D6/436, 445, 446, 492, 494; D25/52; 312/320,
330

3,648,411 3/1972 Saunders et al. 312/320 X
4,478,465 10/1984 Sulcek 312/320 X

OTHER PUBLICATIONS

Interiors, Aug. 1982, p. 31, Console in background.

Primary Examiner—Bruce W. Dunkins

Attorney, Agent, or Firm—Howson and Howson

[57] **CLAIM**

The ornamental design for a cabinet door, as shown and described.

DESCRIPTION

FIG. 1 is a perspective view showing the inside face of a cabinet door embodying my new design;

FIG. 2 is a front elevation thereof;

FIG. 3 is a left side elevation thereof;

FIG. 4 is a right side elevation thereof;

FIG. 5 is a top plan view thereof;

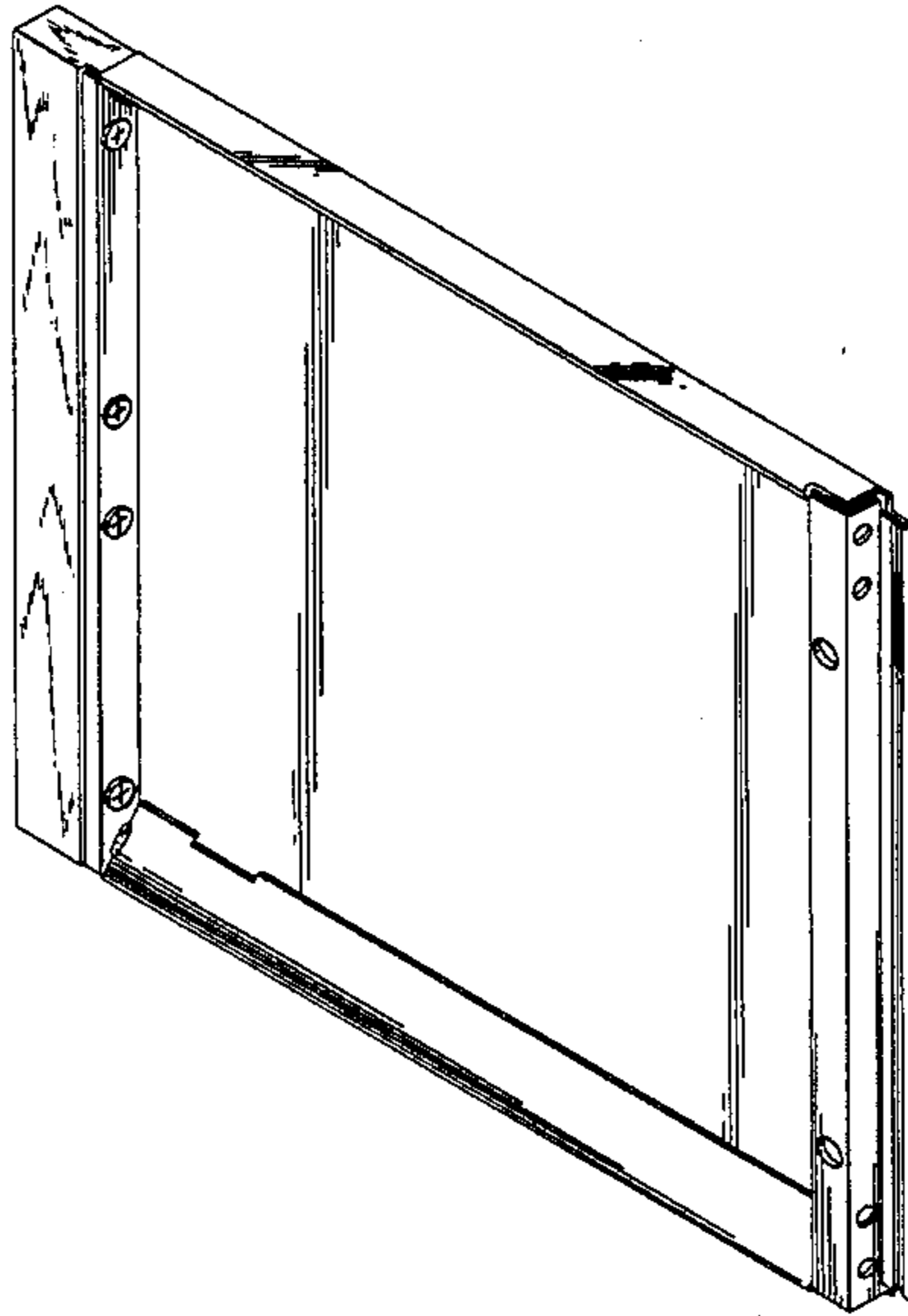
FIG. 6 is a bottom plan view thereof; and

FIG. 7 is a horizontal section through the door handle on the plane indicated at 7—7 in FIG. 2.

[56] **References Cited**

U.S. PATENT DOCUMENTS

D. 195,470	6/1963	Knoll	D6/494
D. 245,746	9/1977	Palka	D6/494
D. 250,603	12/1978	Roesch	D25/52
D. 262,929	2/1982	Woudstra	D6/494
D. 274,681	7/1984	Gwathmey	D6/428
D. 286,832	11/1986	Matthews et al.	D6/425



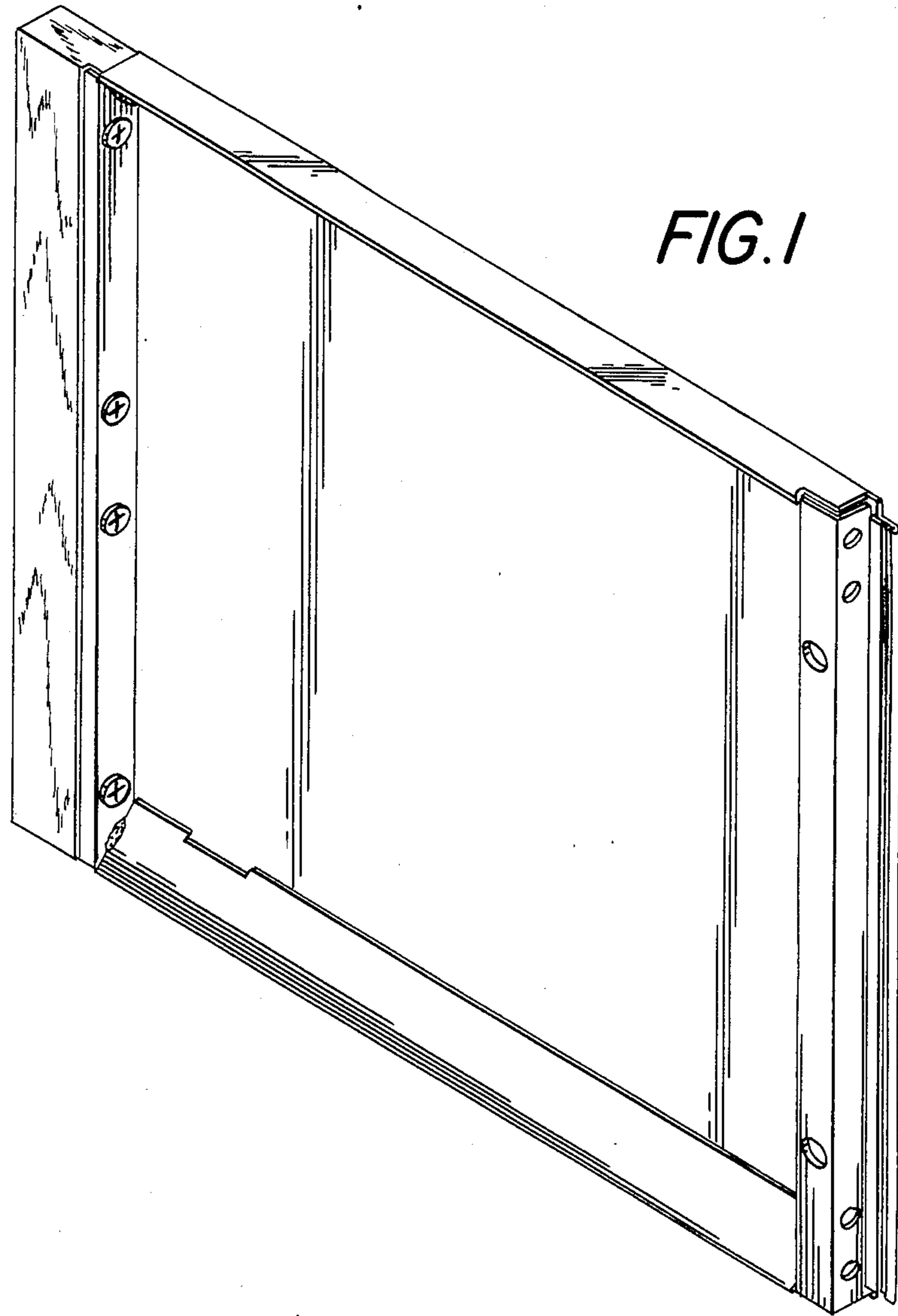


FIG. 1

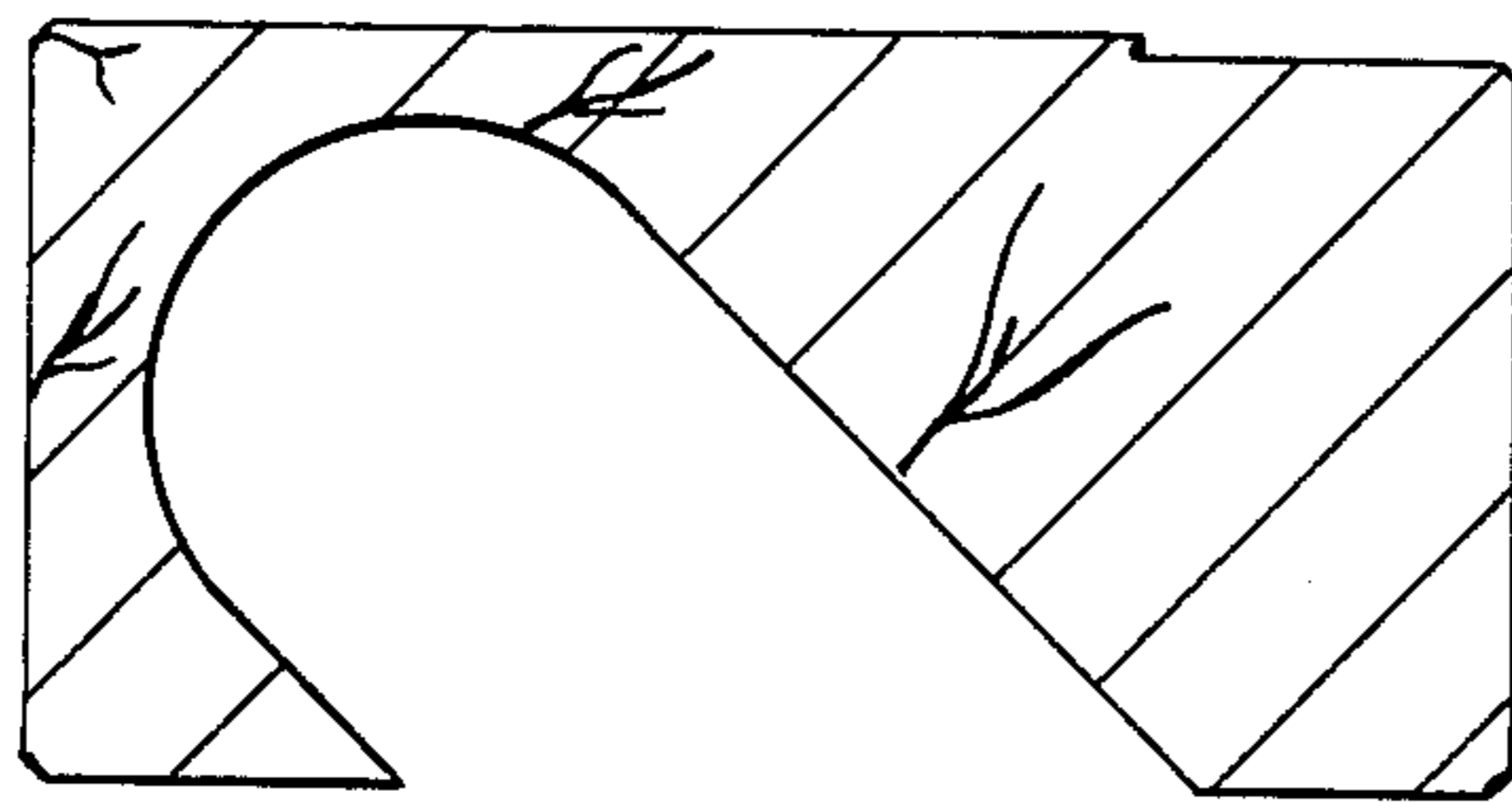


FIG. 7

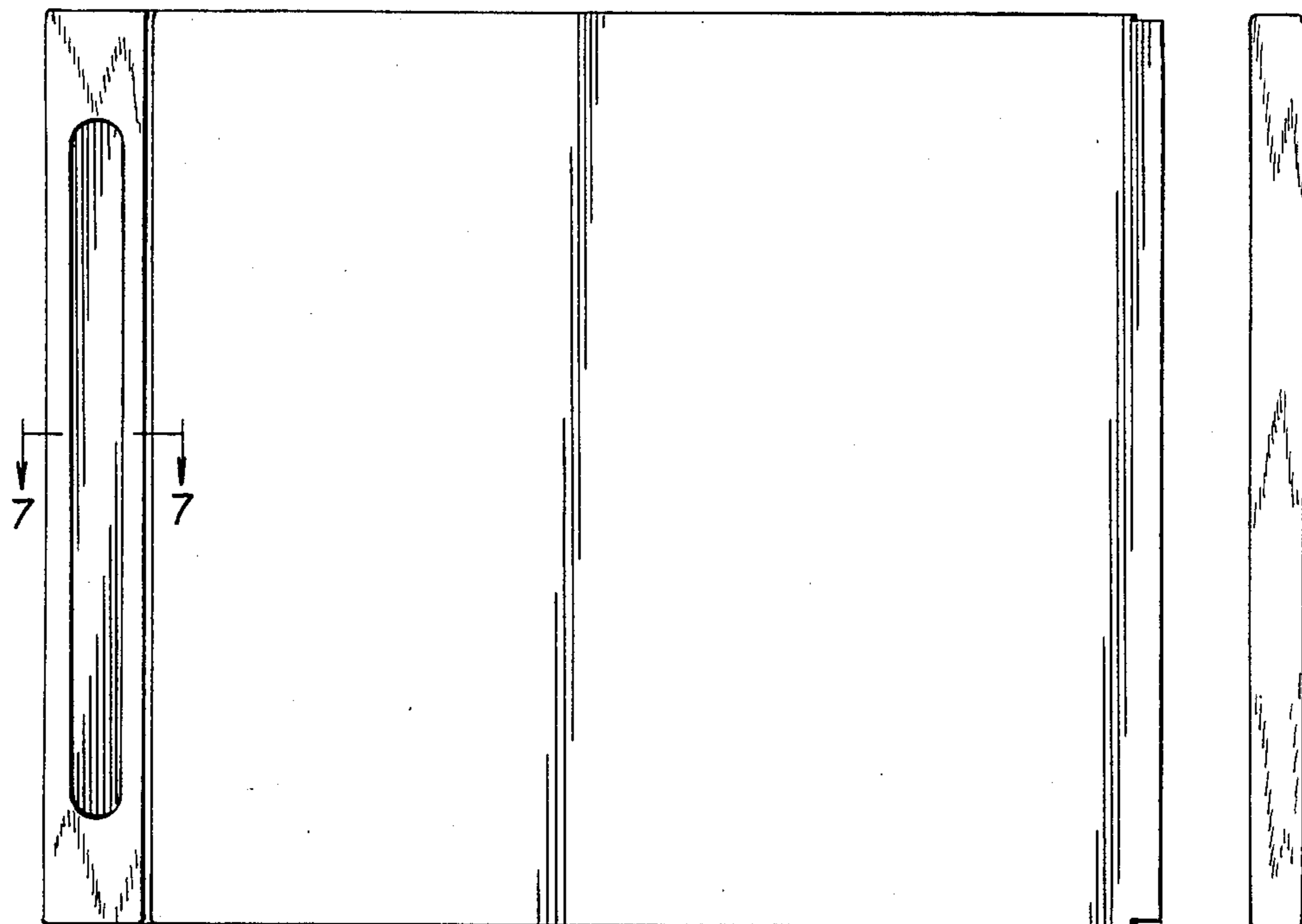


FIG. 2

FIG. 3

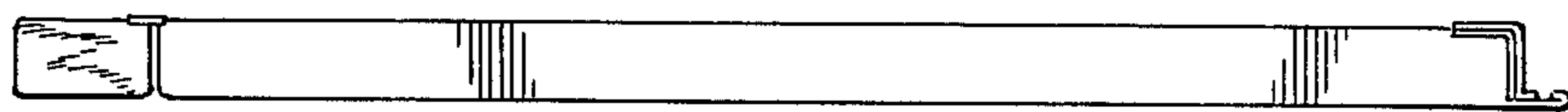


FIG. 5

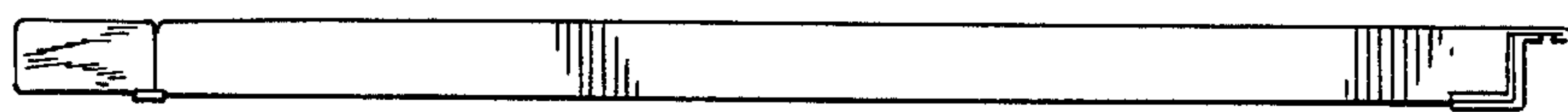


FIG. 6

FIG. 4

