

[54] **JEWELRY HOLDER AND DISPLAY STAND**

[76] **Inventor: Lorraine S. Galairde, 2123 E. Farmdale Ave., Mesa, Ariz. 85204**

[\*\*] **Term: 14 Years**

[21] **Appl. No.: 819,733**

[22] **Filed: Jan. 21, 1986**

[52] **U.S. Cl. .... D6/468**

[58] **Field of Search ..... D6/450, 451, 466, 467, D6/469, 468, 474, 475; D21/54; D19/90; 211/13, 60.1, 11**

[56] **References Cited**

**U.S. PATENT DOCUMENTS**

- D. 59,130 9/1921 Samstag ..... D6/468
- D. 157,082 1/1950 Patton ..... D6/450
- D. 238,130 12/1975 Liner ..... D6/475 X
- D. 252,302 7/1979 Persky ..... D6/468
- D. 272,834 2/1984 Moore ..... D6/468 X

- 2,131,960 10/1938 Less ..... 211/13 X
- 4,141,453 2/1979 Hanan ..... 211/13 X
- 4,545,489 10/1985 Welch ..... 211/11
- 4,573,585 3/1986 Frei ..... 211/13

*Primary Examiner*—Carmen H. Vales  
*Attorney, Agent, or Firm*—Jordan M. Meschkow

[57] **CLAIM**

The ornamental design for a jewelry holder and display stand, as shown and described.

**DESCRIPTION**

FIG. 1 is a perspective view of a jewelry holder and display stand, showing my new design; FIG. 2 is a top plan view thereof; FIG. 3 is a bottom plan view thereof; FIG. 4 is a right side elevational view, it being understood that the left side elevation is a mirror image thereof; and FIG. 5 is a rear elevational view.

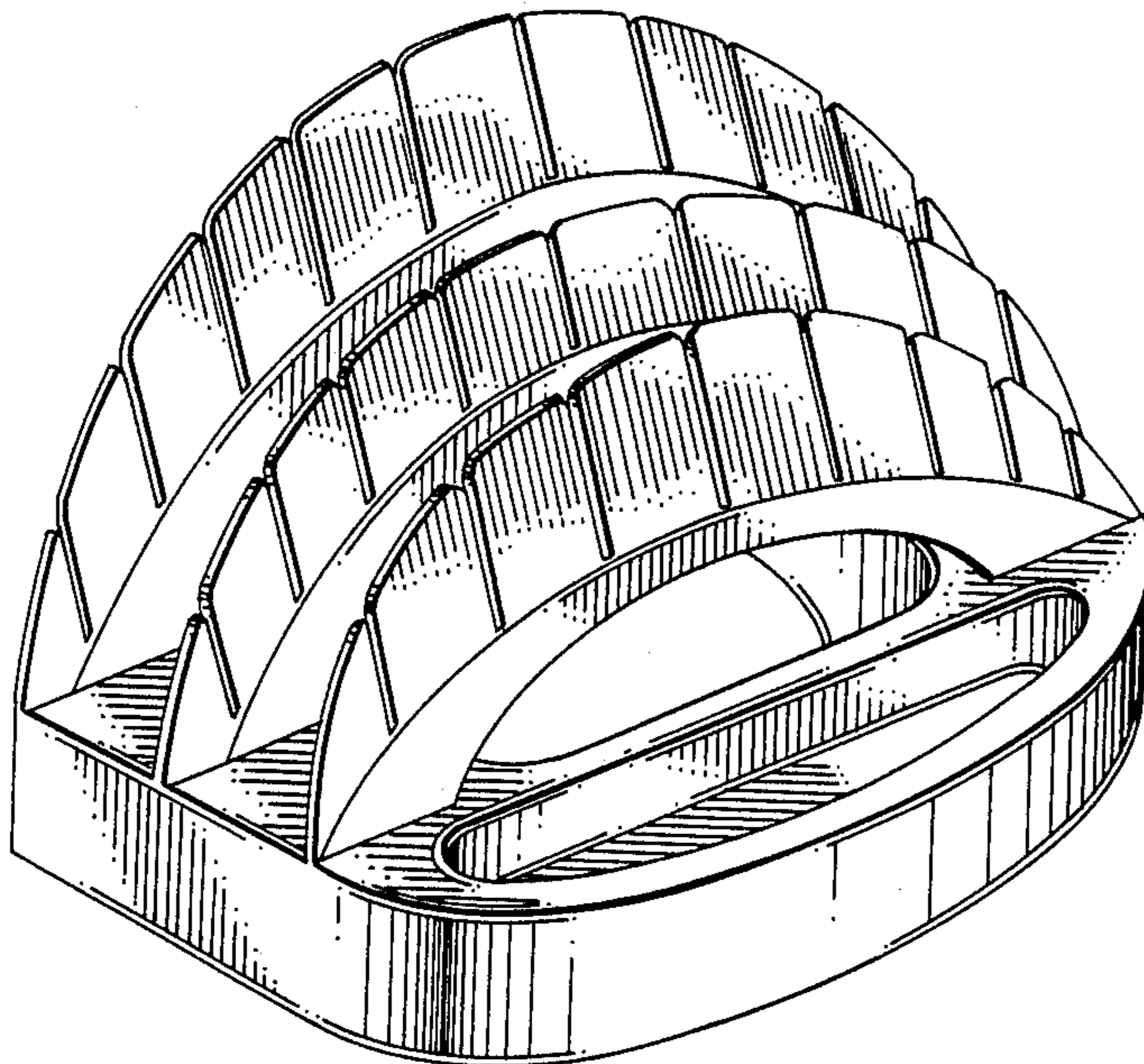


FIG. 1

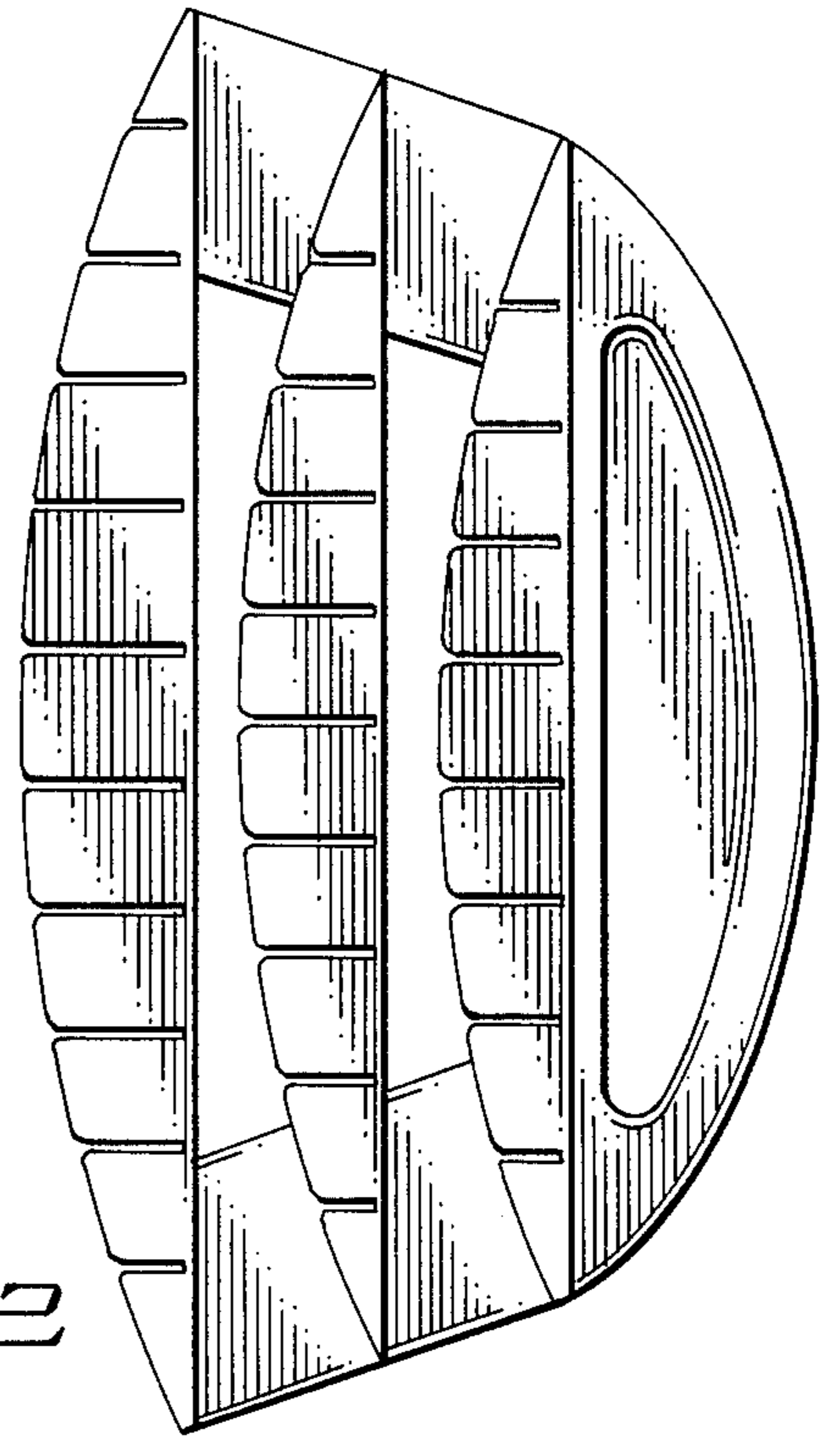
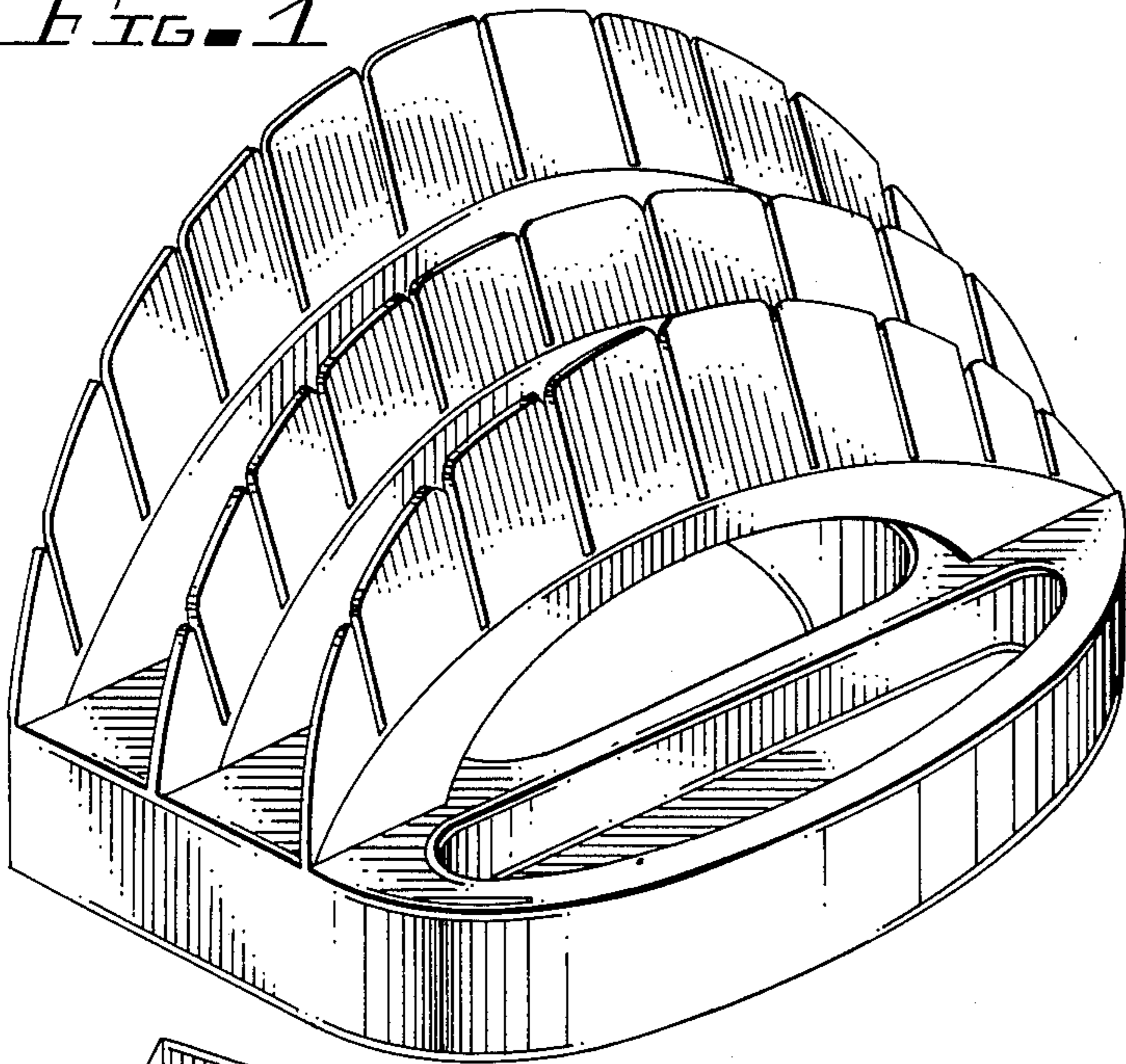


FIG. 2

FIG. 3

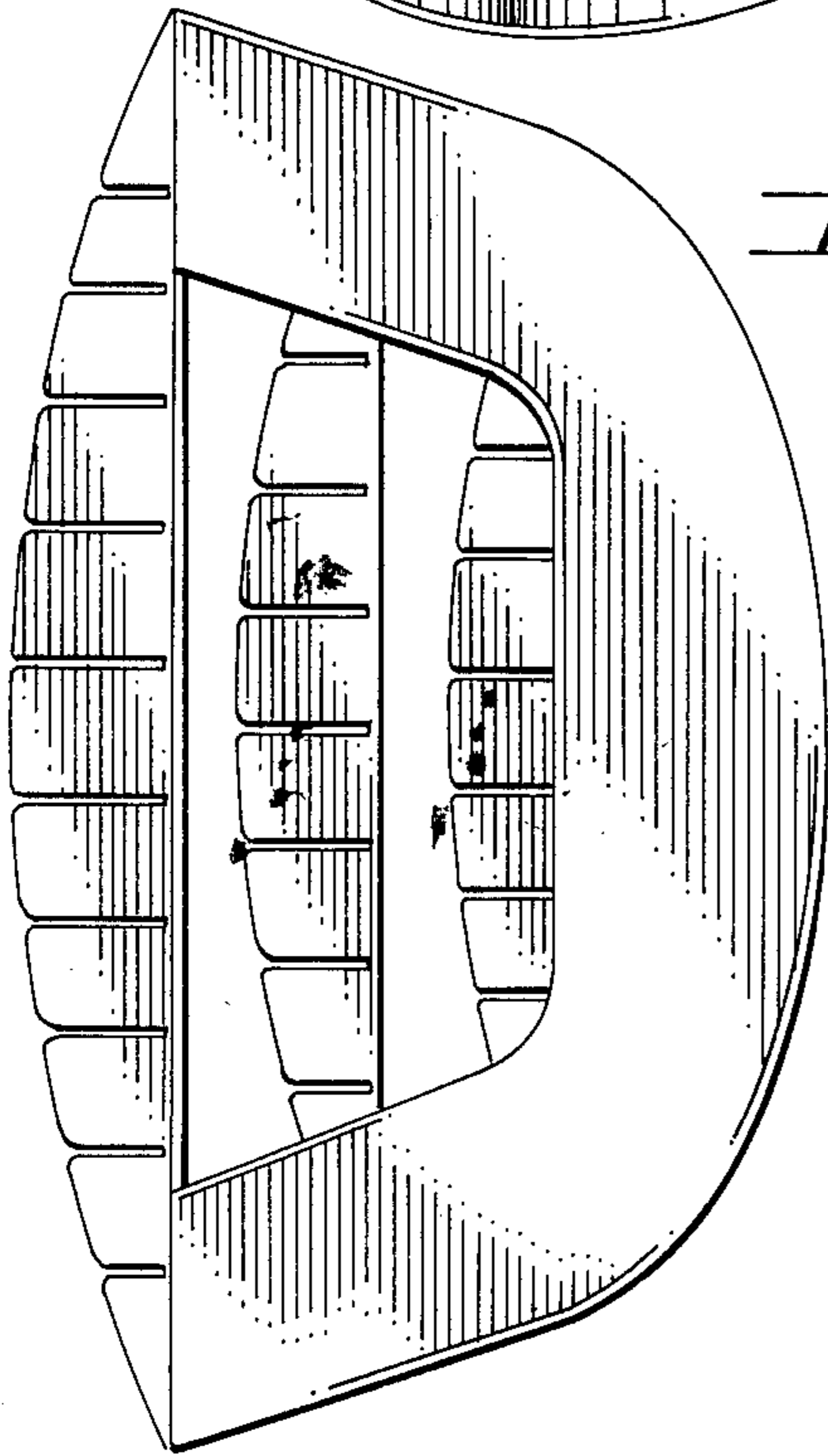


FIG. 4

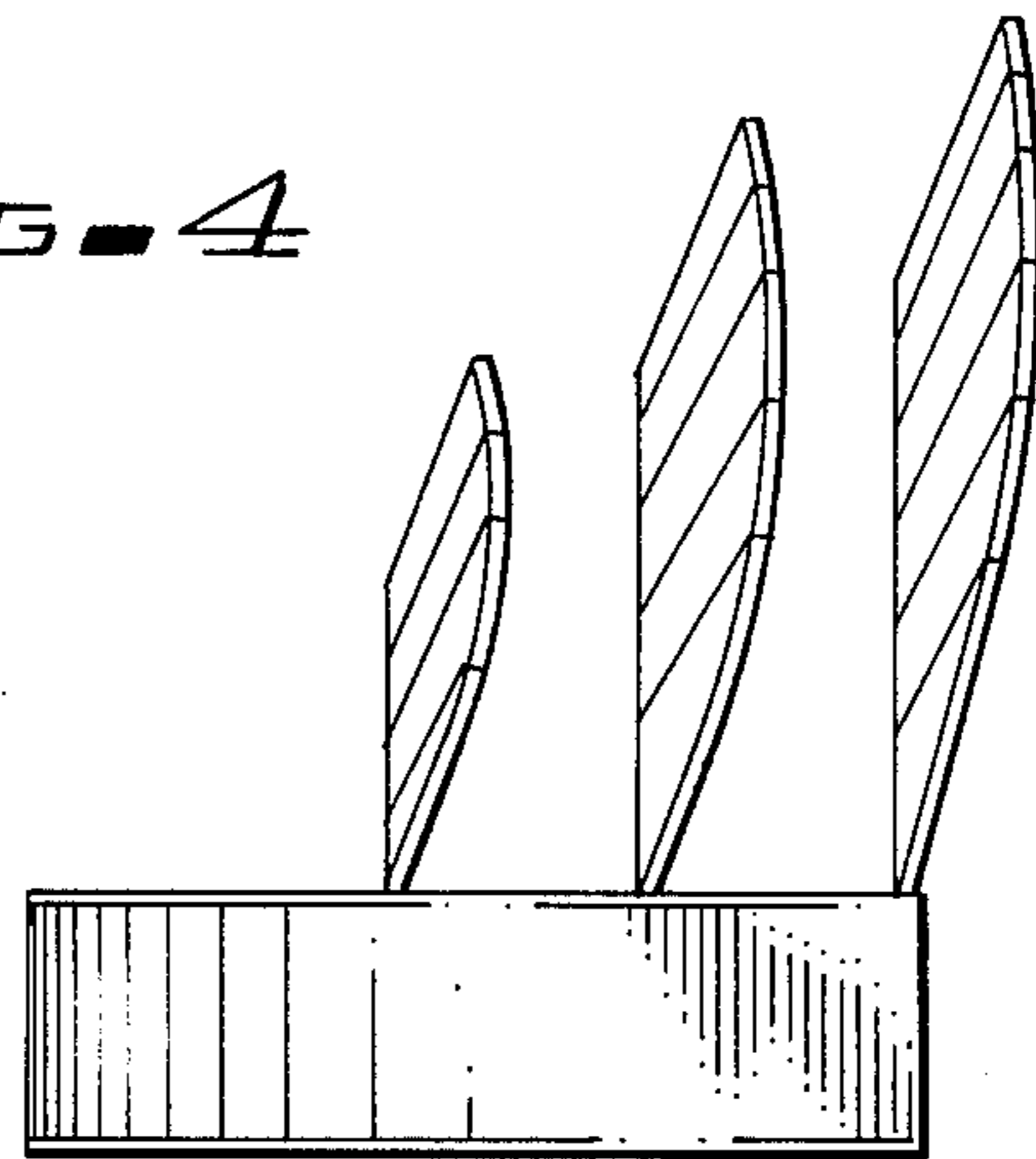


FIG. 5

