

United States Patent [19]

Renold et al.

[11] Patent Number: **Des. 296,630**

[45] Date of Patent: **** Jul. 12, 1988**

[54] **LIQUID SAMPLE COLOR COMPARISON RACK**

[75] Inventors: **Walter Renold, Conches; Christian Favez, Les Avanchets, both of Switzerland**

[73] Assignee: **Firmenich S.A., Geneva, Switzerland**

[**] Term: **14 Years**

[21] Appl. No.: **763,026**

[22] Filed: **Aug. 6, 1985**

[30] **Foreign Application Priority Data**

Feb. 11, 1985 [WO] World Int. Prop. O. DM/004759

[52] U.S. Cl. **D6/468; D6/469; D6/474**

[58] Field of Search **D6/469, 466, 474, 468, D6/467; D3/25; 211/60.1, 74, 69**

[56] **References Cited**

U.S. PATENT DOCUMENTS

D. 28,203 1/1898 Shelverton D6/468 X
D. 157,024 1/1950 Bacco et al. D6/468

D. 207,564 5/1967 Hartford D6/468
D. 208,469 9/1967 Parker D6/468
D. 256,199 8/1980 Burke et al. D6/474
D. 280,369 9/1985 Stevens D6/468

FOREIGN PATENT DOCUMENTS

1105975 12/1955 France 211/69

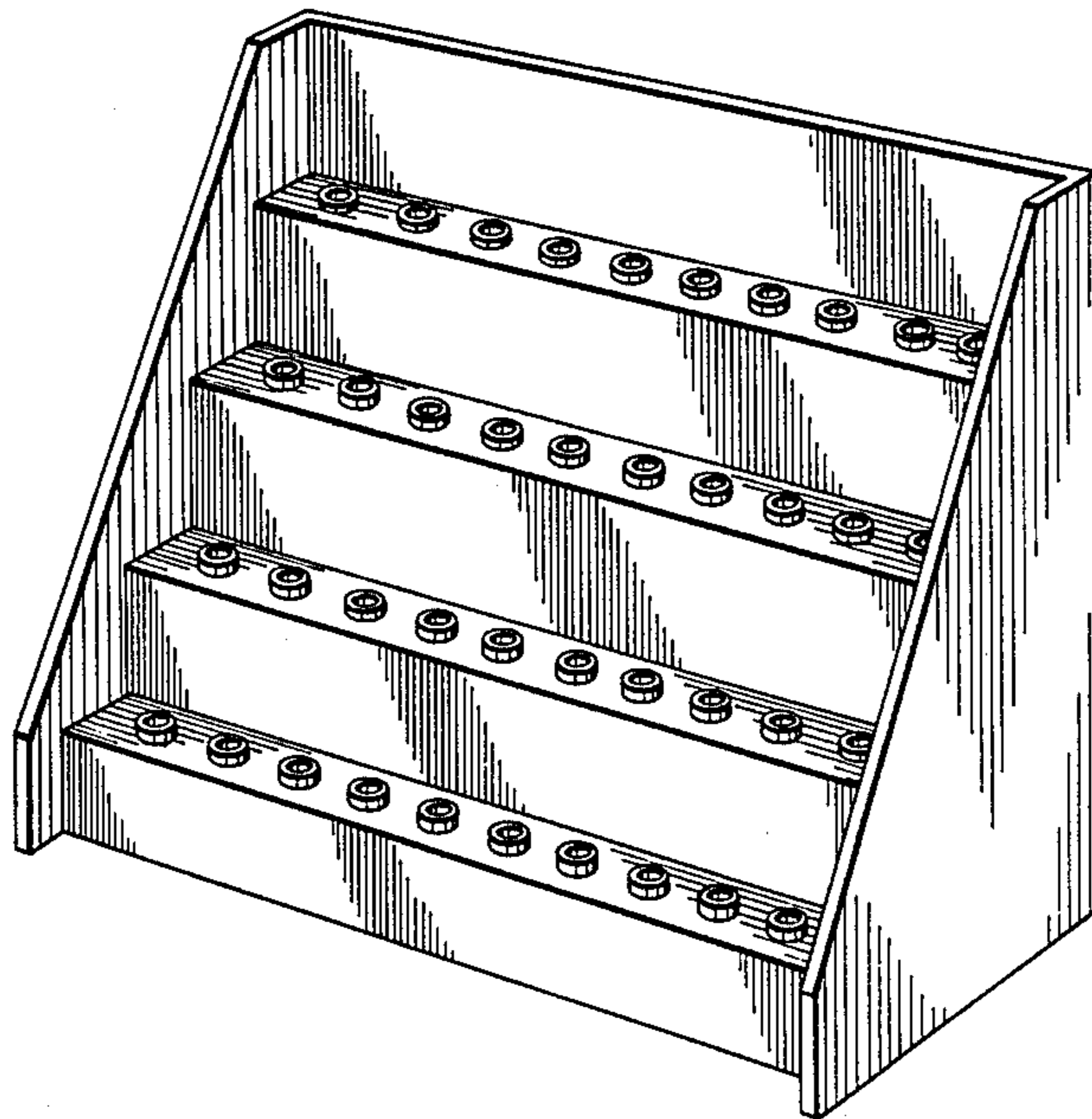
Primary Examiner—Carmen H. Vales
Attorney, Agent, or Firm—Mattern, Ware, Stoltz & Fressola

[57] **CLAIM**

The ornamental design for a liquid sample color comparison rack, as shown and described.

DESCRIPTION

FIG. 1 is a front elevational view of a liquid sample color comparison rack showing our new design; FIG. 2 is a top plan view thereof; FIG. 3 is a side elevational view thereof the opposite side view being identical; FIG. 4 is a rear elevational view thereof; FIG. 5 is a bottom plan view thereof; and FIG. 6 is a perspective view thereof.



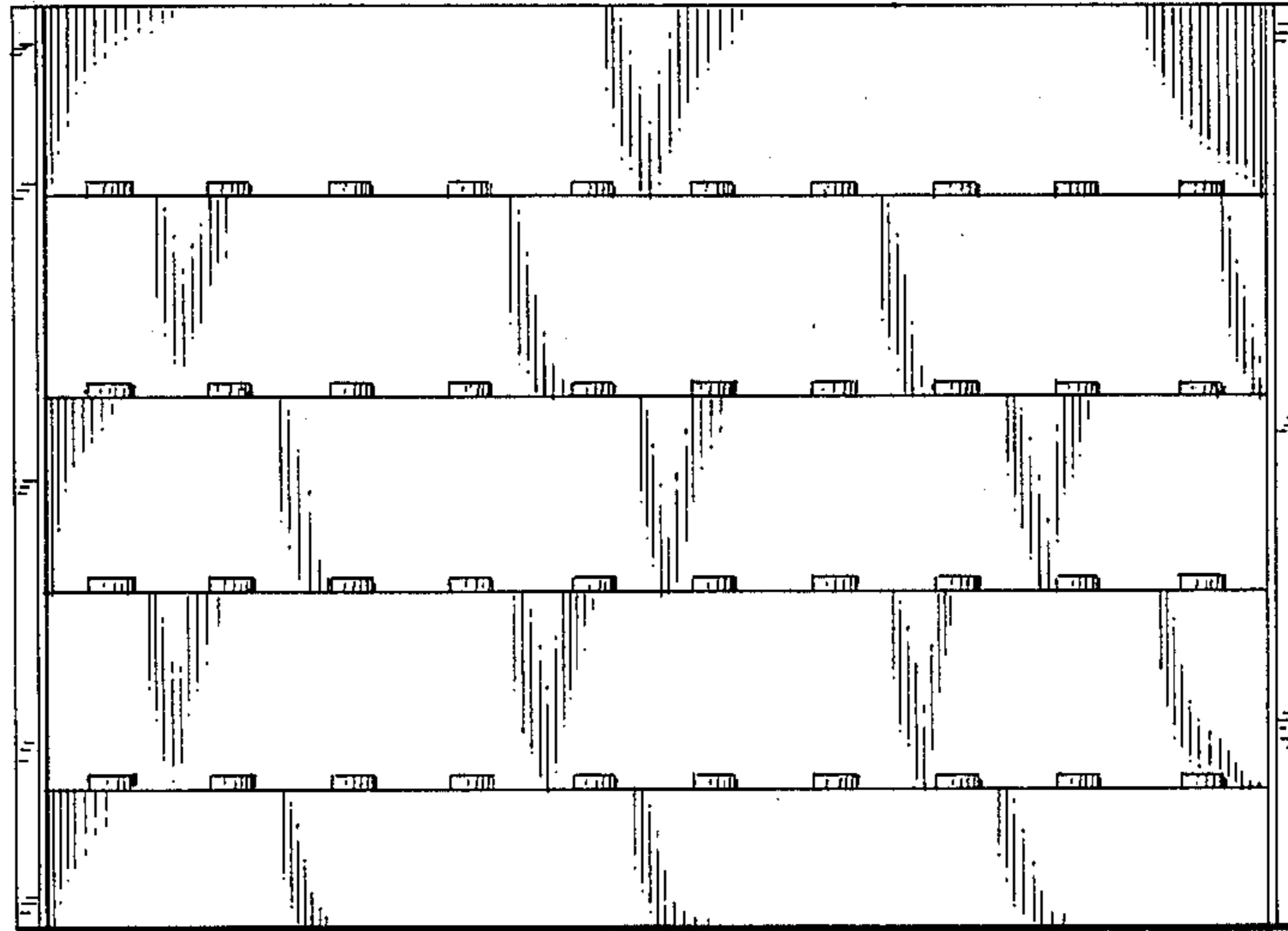


FIG. 1

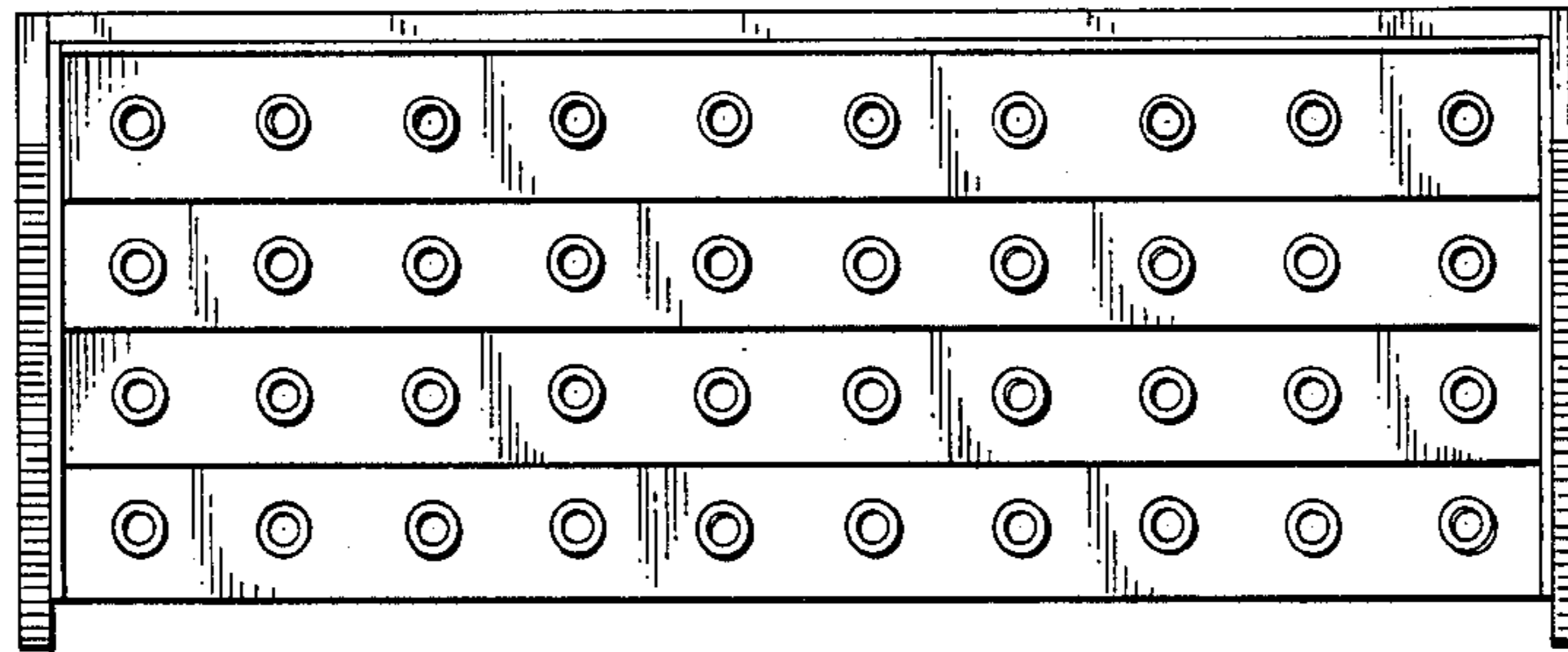


FIG. 2

FIG. 3

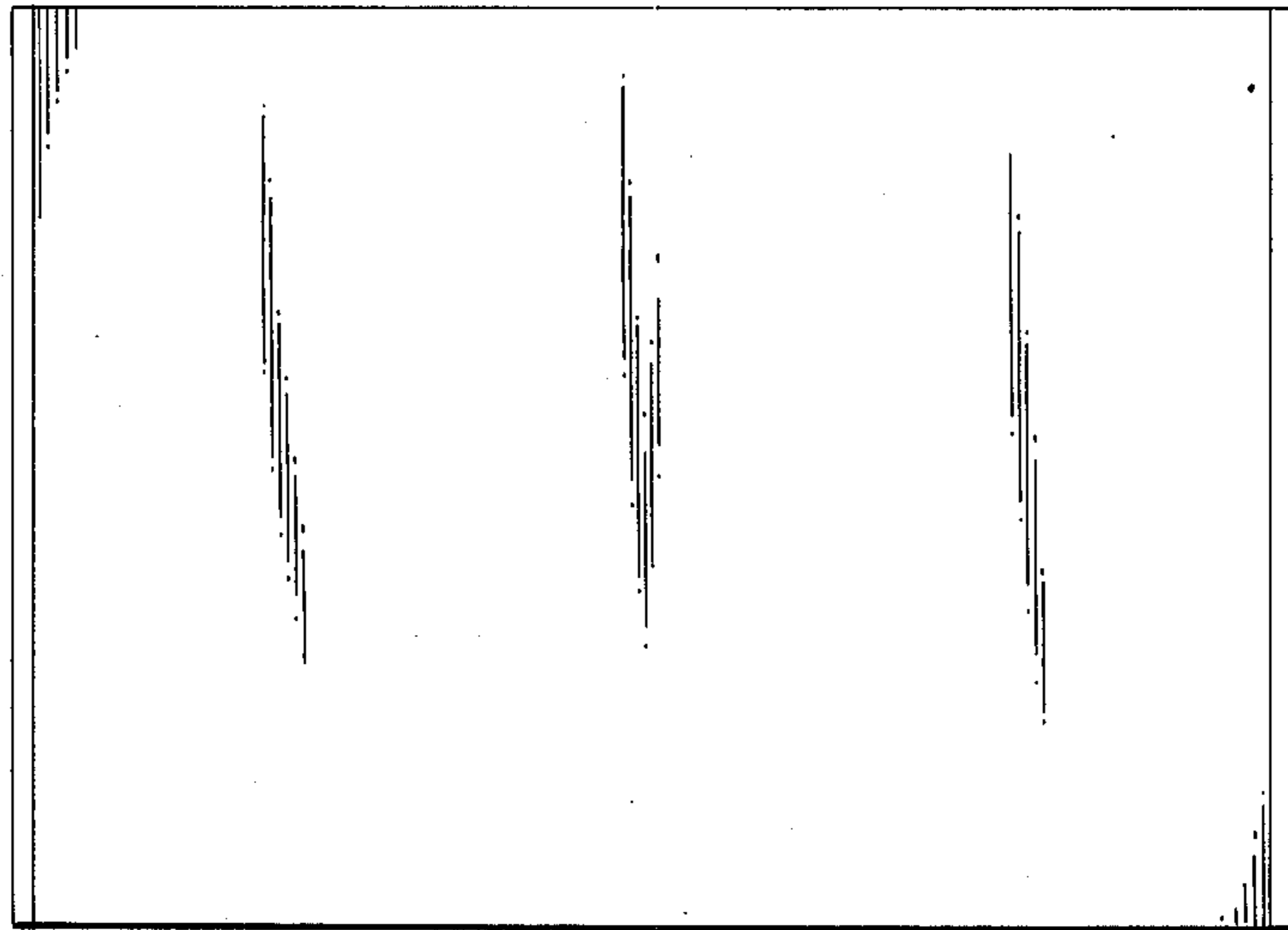
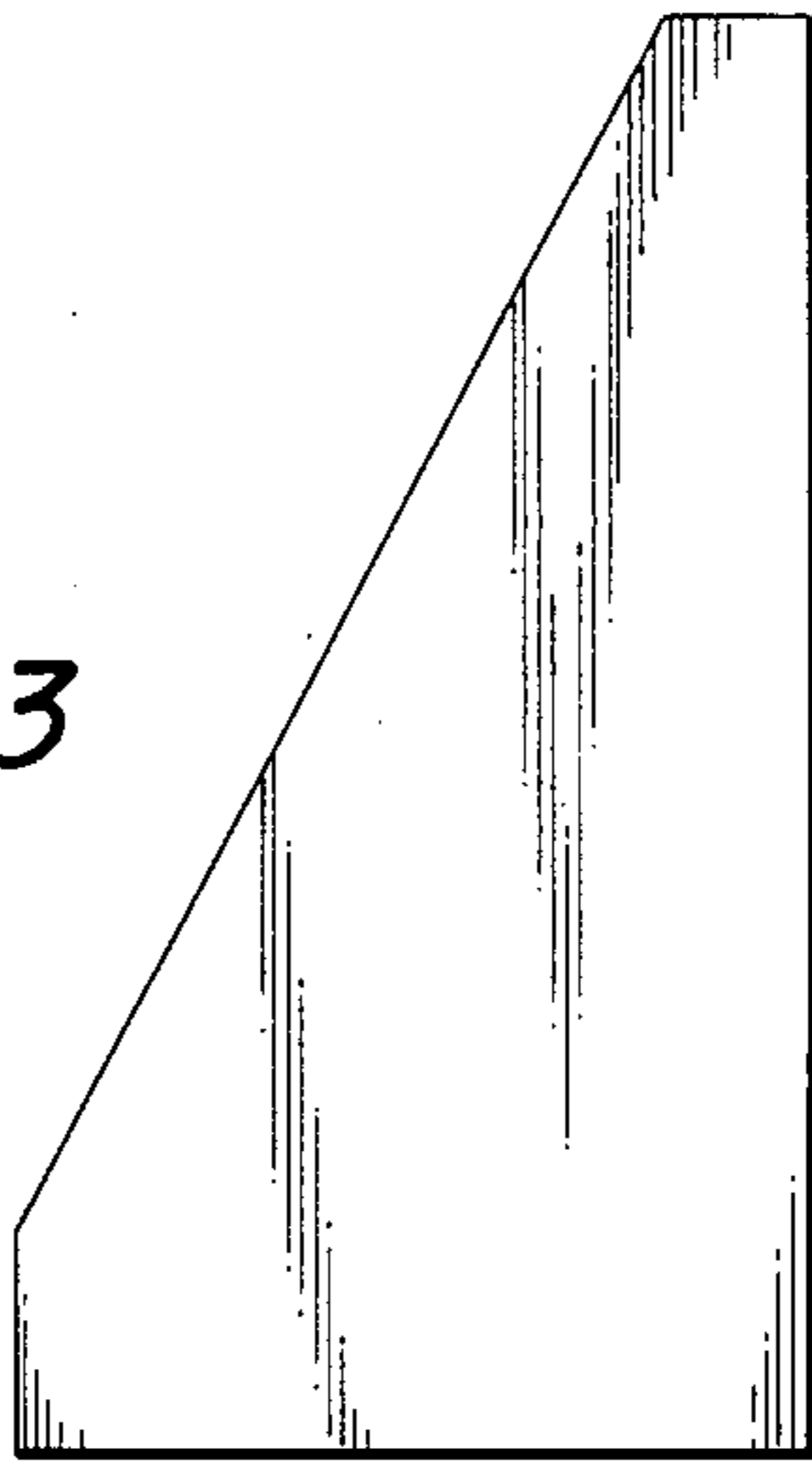


FIG. 4

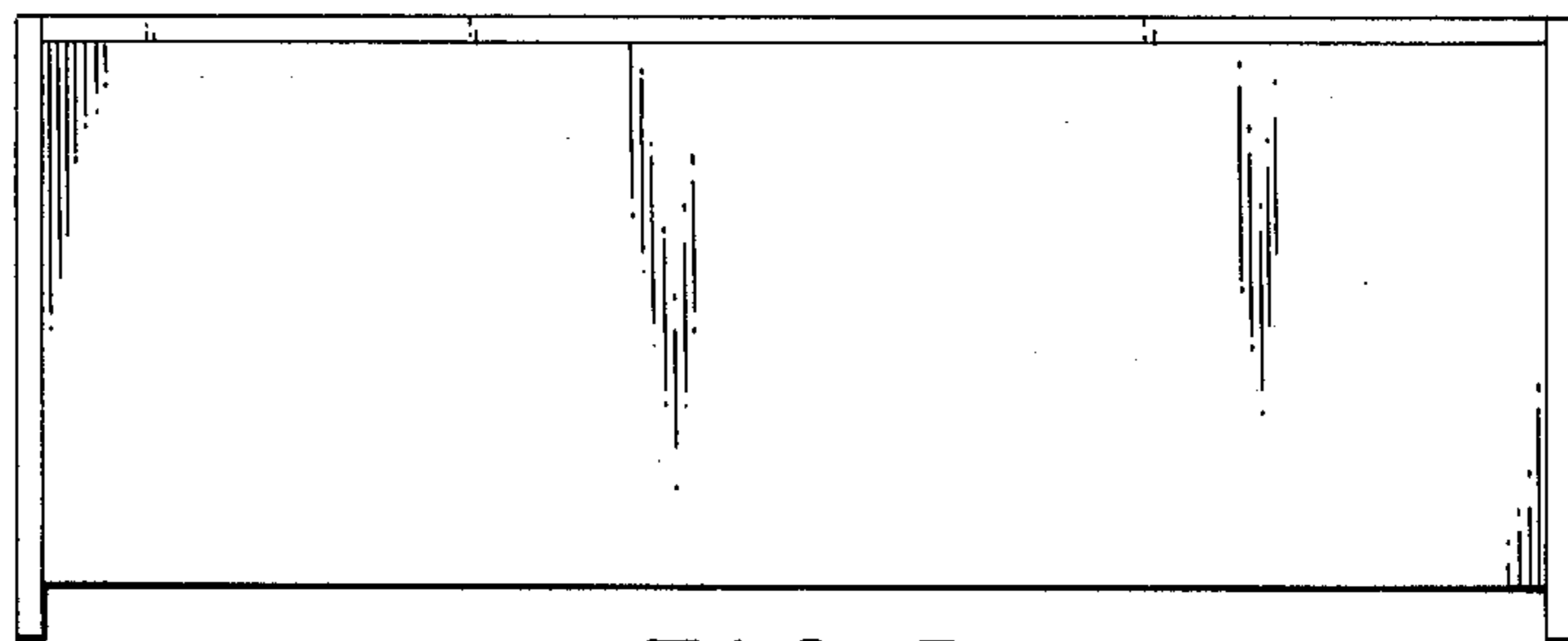


FIG. 5

FIG. 6.

