

[54] COMBINED FOLDABLE BOOK SUPPORT AND LAMP

[75] Inventor: Tung-Ng Tong, Shatin, Hong Kong

[73] Assignee: To-Yan Lui, Lamtin, Hong Kong; a part interest

[**] Term: 14 Years

[21] Appl. No.: 834,832

[22] Filed: Feb. 21, 1986

[30] Foreign Application Priority Data

Jan. 6, 1986 [TW] Taiwan 86300029

[52] U.S. Cl. D6/399; D6/406; D6/419; D6/430; D19/91; D26/51

[58] Field of Search D6/399, 422, 406, 425, D6/419, 420, 310-314, 429, 430; D19/75, 76, 77, 78, 91, 92; D26/51, 54, 56, 58; 248/441.1, 445, 453, 455, 456, 461

[56] References Cited

U.S. PATENT DOCUMENTS

D. 164,247 8/1951 Lofgren D26/51

D. 212,541	10/1968	Taylor	D6/399
D. 217,830	6/1970	Heller	D26/51
D. 285,392	9/1986	Thompson	D6/399
D. 287,604	1/1987	Creed	D19/91
D. 287,914	1/1987	Woolf	D6/419
2,834,149	5/1958	Flahive et al.	248/445
3,863,882	2/1975	Hatcher	248/441.1 X
3,905,573	9/1975	Davis	248/445

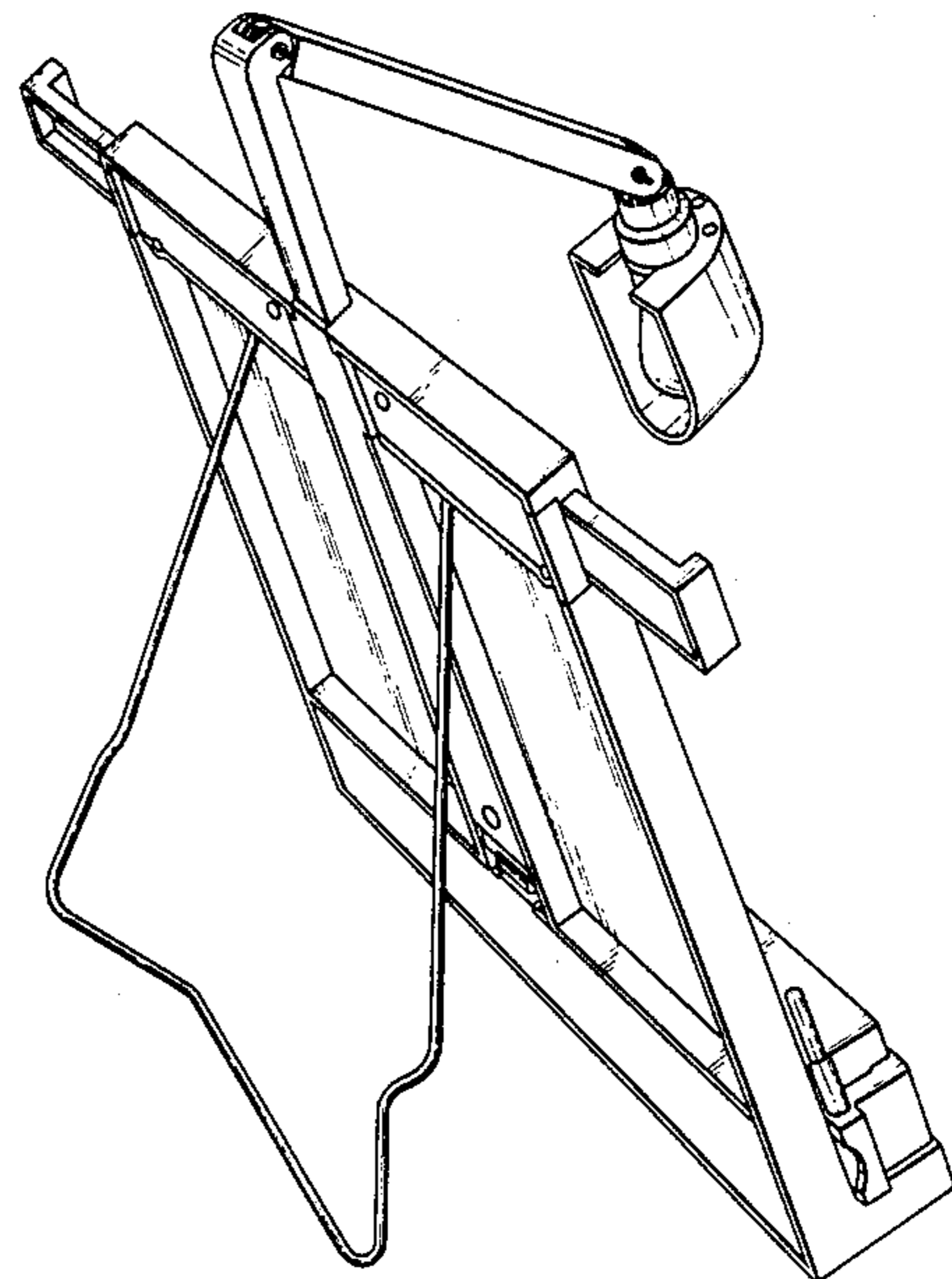
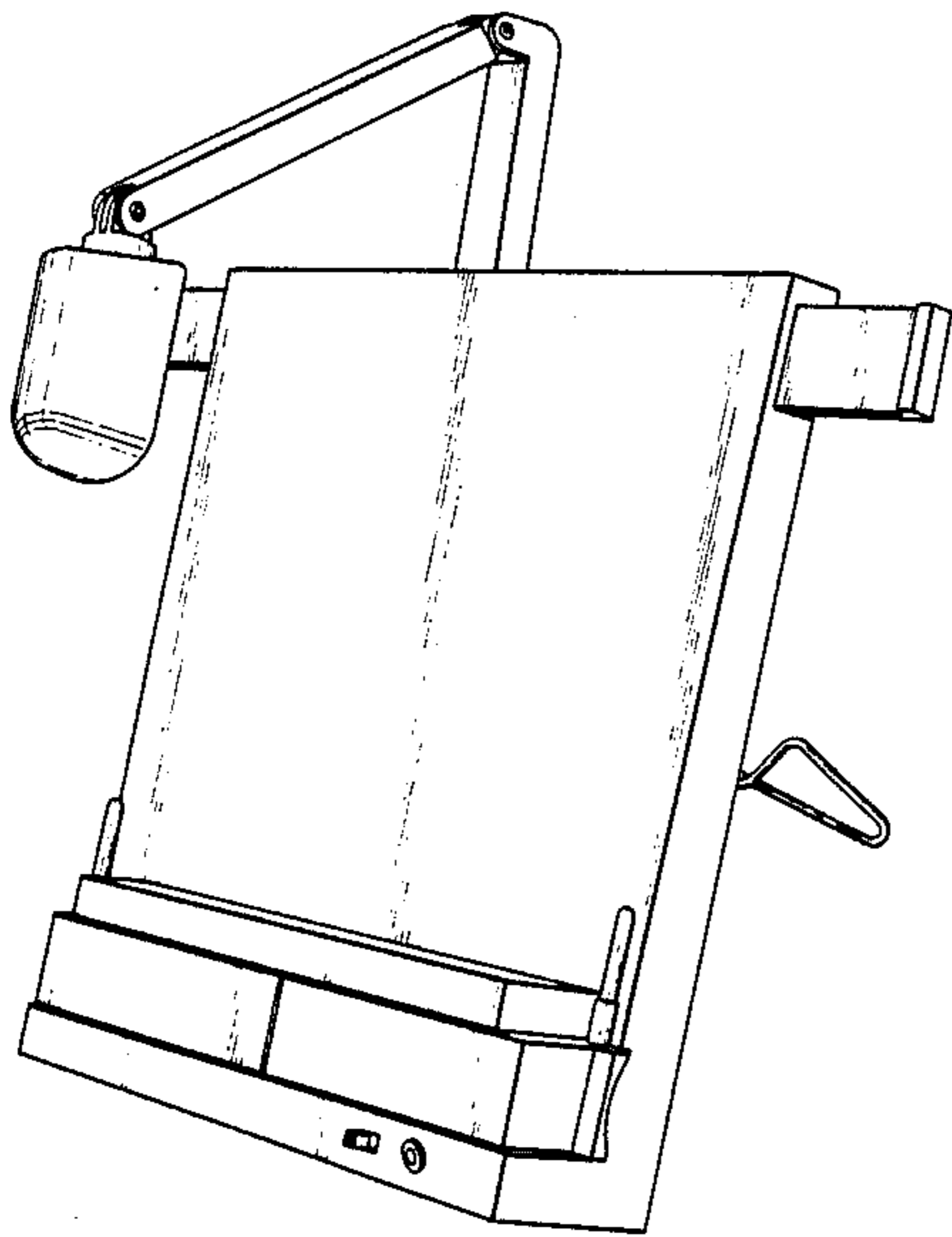
Primary Examiner—Carmen H. Vales
Attorney, Agent, or Firm—John F. Witherspoon

[57] CLAIM

The ornamental design for a combined foldable book support and lamp, as shown and described.

DESCRIPTION

FIG. 1 is a front perspective view of a combined foldable book support and lamp showing my new design; FIG. 2 is a rear perspective view thereof; FIG. 3 is a front elevational view thereof; FIG. 4 is a rear elevational view thereof; FIG. 5 is a left side elevational view in folded position; FIG. 6 is a right side elevational view thereof; FIG. 7 is a top plan view thereof; and FIG. 8 is a bottom plan view thereof.



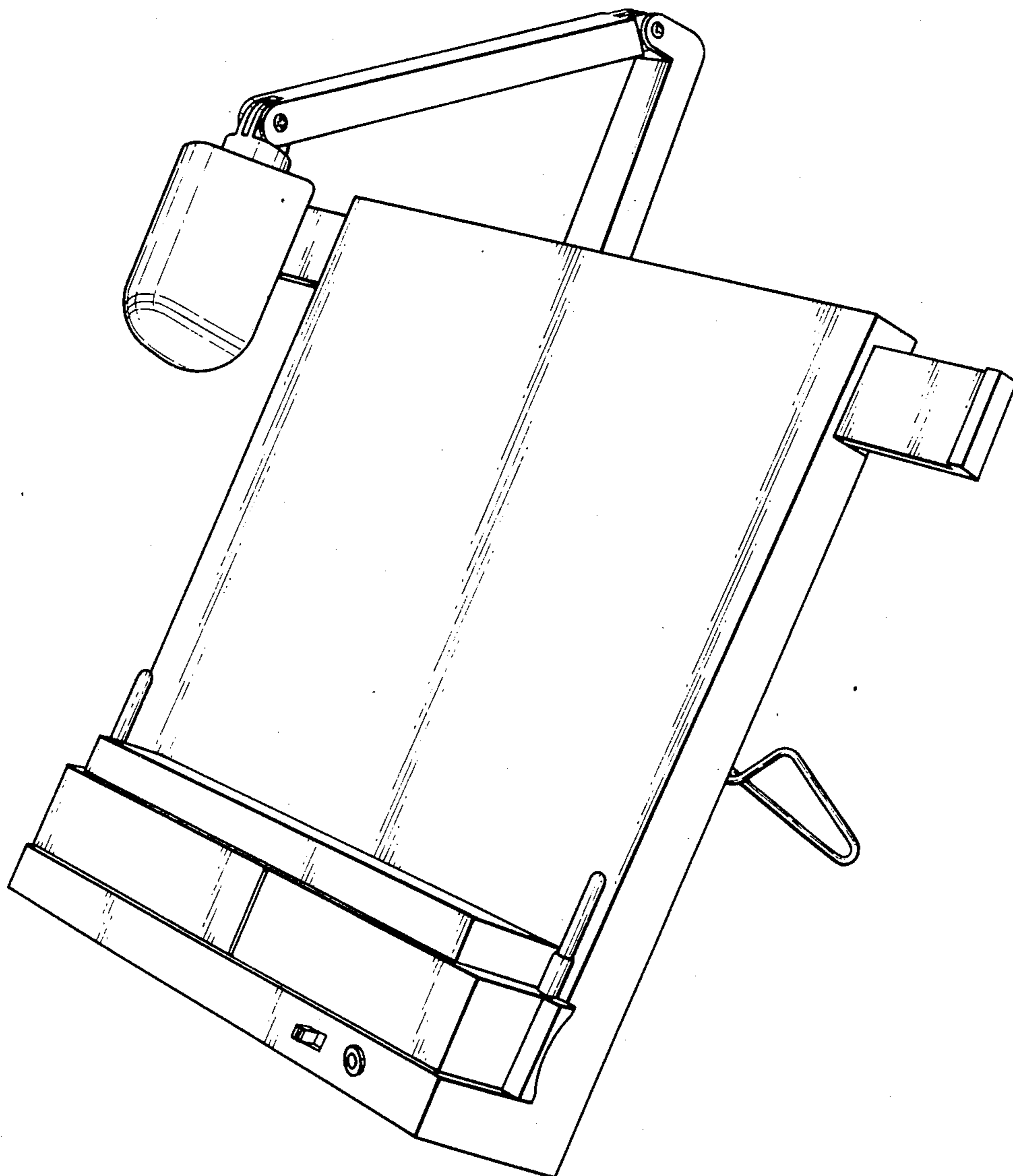


FIG. 1.

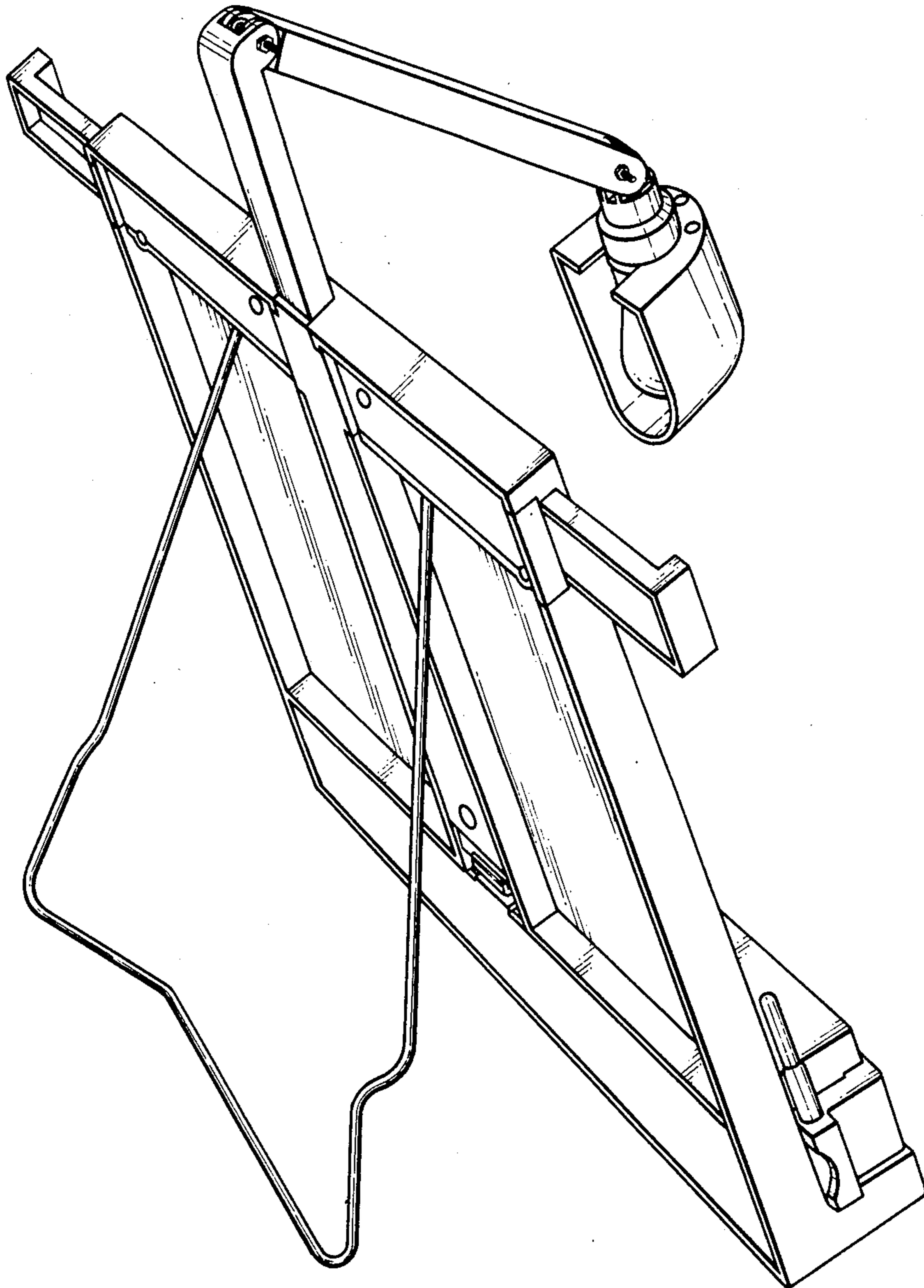


FIG. 2.

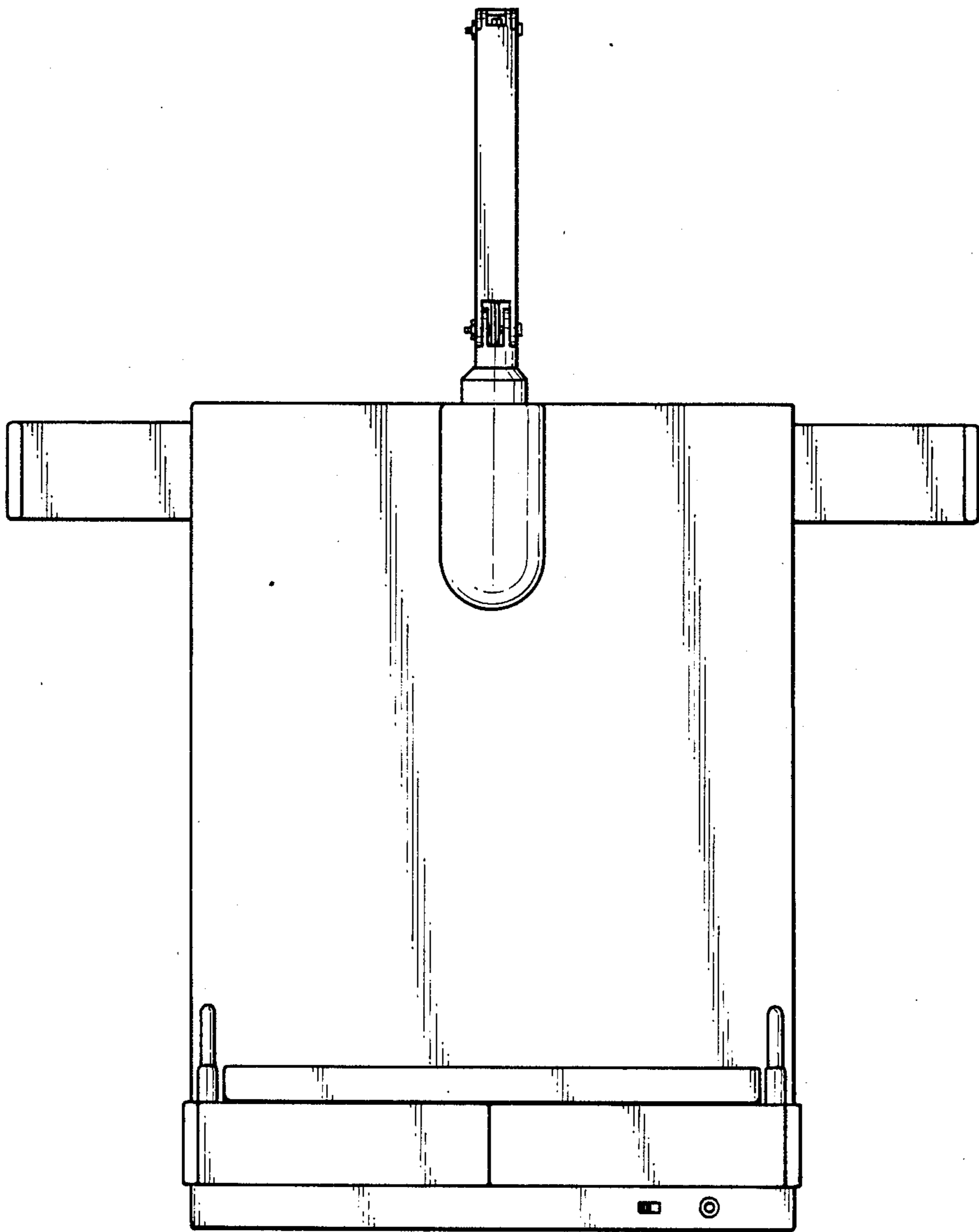


FIG. 3.

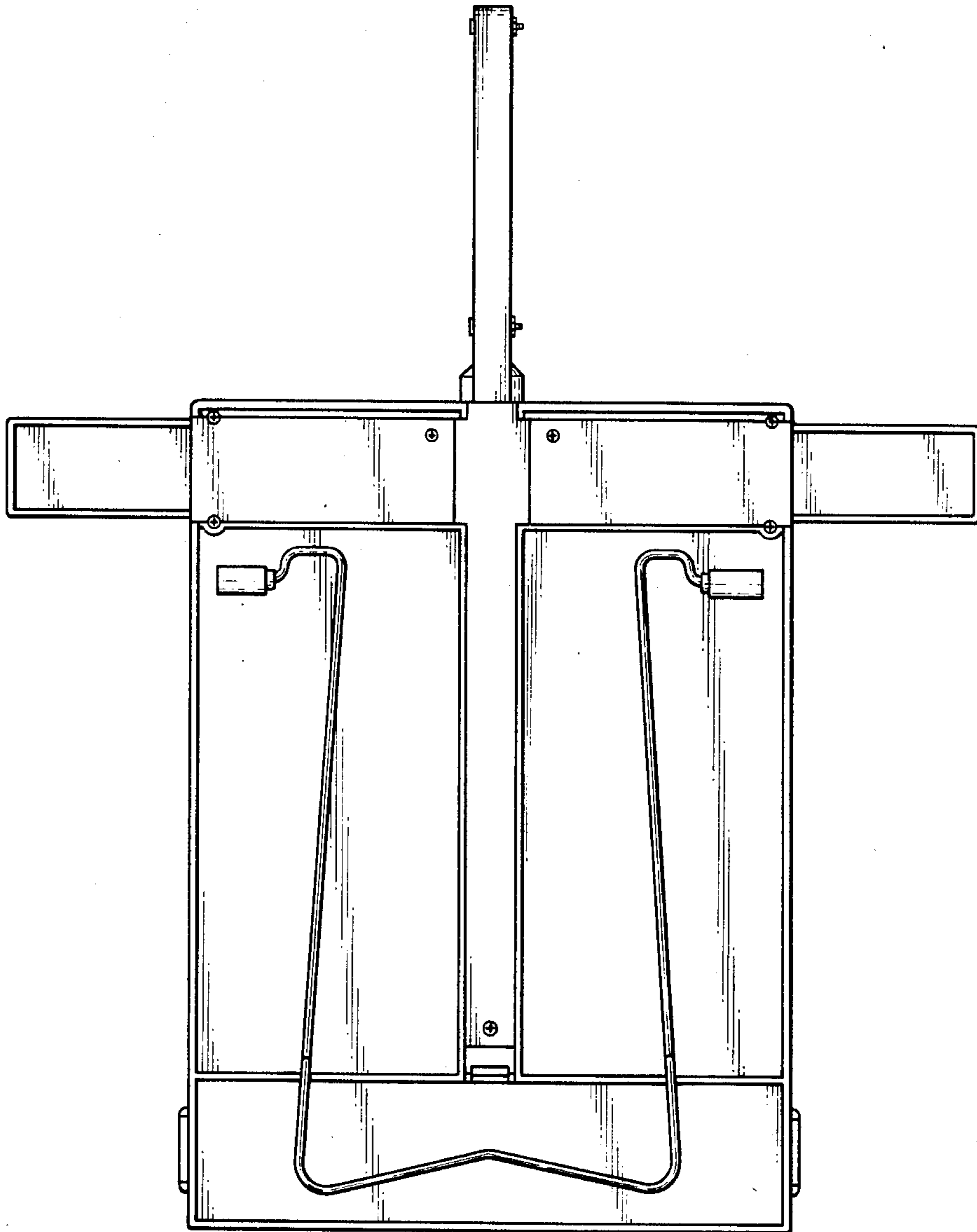


FIG. 4.

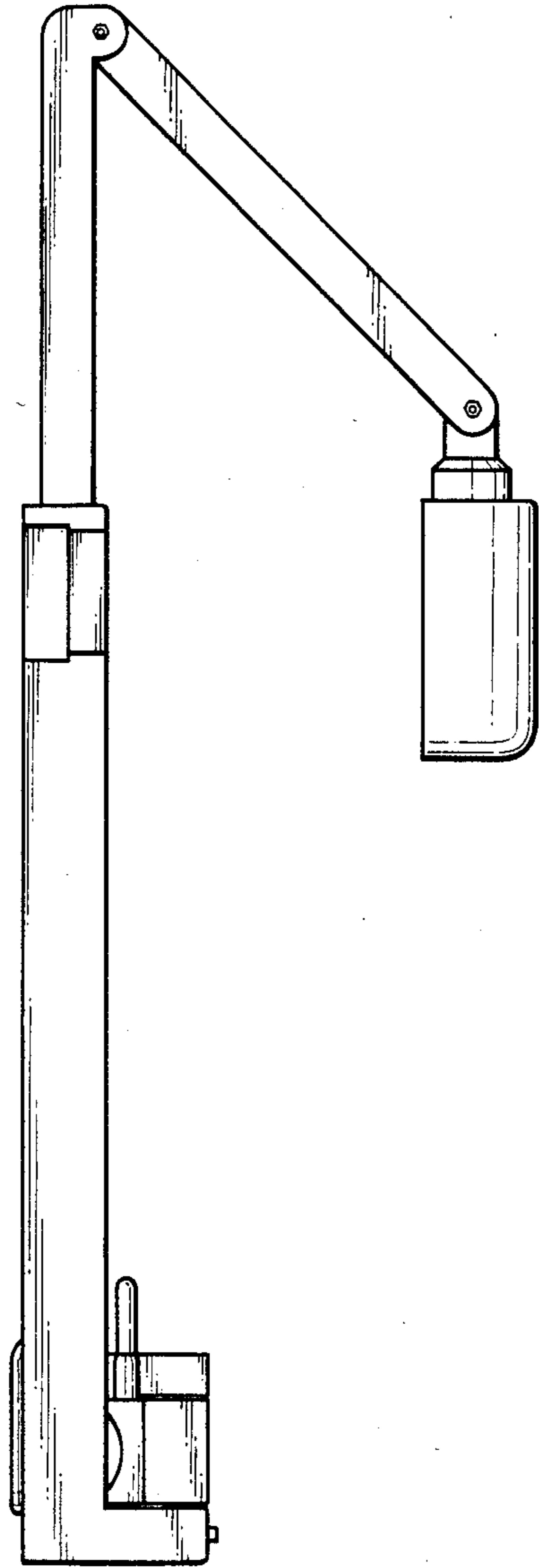


FIG. 5.

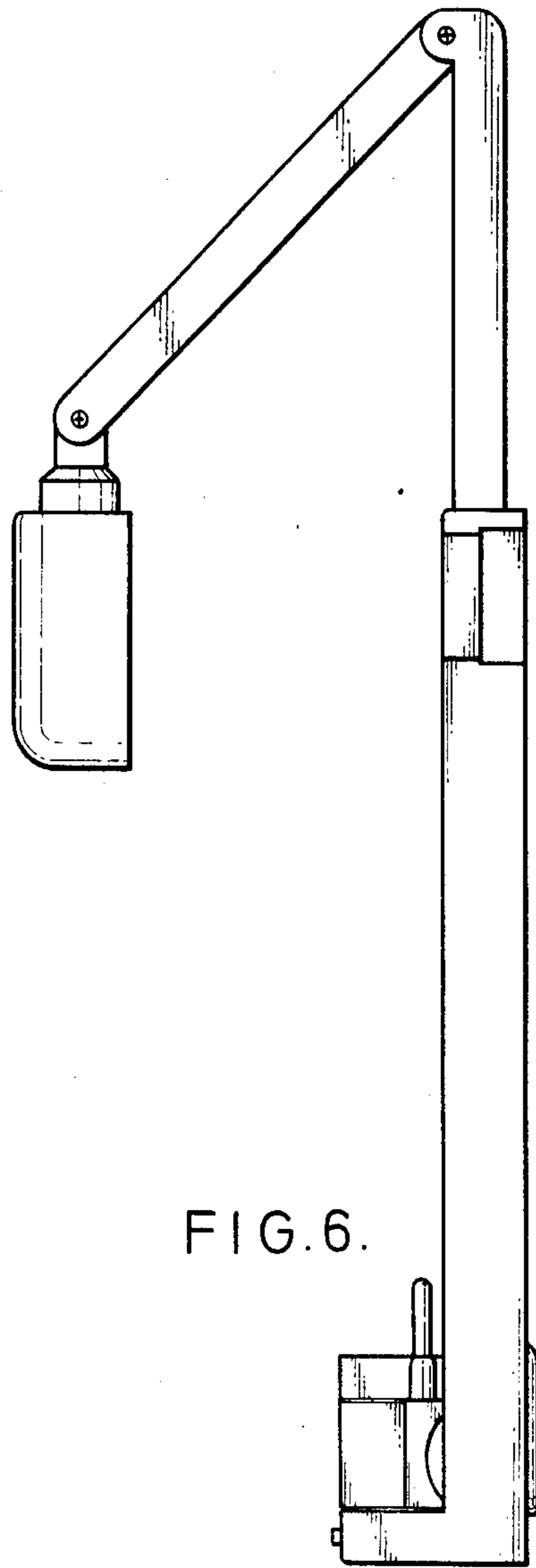


FIG. 6.

