

[54] **SEAT**

[75] **Inventor: Henry P. Glass, Northfield, Ill.**

[73] **Assignee: Iron Mountain Forge, Farmington, Mo.**

[**] **Term: 14 Years**

[21] **Appl. No.: 942,430**

[22] **Filed: Dec. 16, 1986**

[52] **U.S. Cl. D6/380; D6/348; D6/370; D6/372; D6/374; D6/379; D6/381**

[58] **Field of Search D6/348, 370, 371, 372, D6/373, 374, 379, 380, 381; 297/258, 272, 440, 443, 445, 452, 457**

[56] **References Cited**

U.S. PATENT DOCUMENTS

D. 230,671	3/1974	Johnson	D6/372
D. 234,034	1/1975	Johnson	D6/372
D. 242,193	11/1976	Joiner	D6/370
D. 250,740	1/1979	Gageby	D6/372
D. 274,295	6/1984	Saiger	D6/379
D. 279,242	6/1985	Jernigan	D6/370
D. 286,824	11/1986	Opsvik	D6/348
3,743,353	7/1973	Lupinsky	297/445
4,235,473	11/1980	Aginar	297/440

OTHER PUBLICATIONS

Industrial Design, Nov./Dec., 1977, p. 46, Chair top right.

Design Catalog, Apr. 1975, p. 26, Chair bottom right.

Primary Examiner—Bruce W. Dunkins

Attorney, Agent, or Firm—Dressler, Goldsmith, Shore, Sutker & Milnamow, Ltd.

[57] **CLAIM**

The ornamental design for a seat, substantially as shown and described.

DESCRIPTION

FIG. 1 is a front perspective view of a seat showing my design in the form of an armchair;

FIG. 2 is a right side elevational view, the left side being a mirror image thereof;

FIG. 3 is a front elevational view;

FIG. 4 is a rear elevational view;

FIG. 5 is a top plan view;

FIG. 6 is a front perspective view of a seat showing a second embodiment of my design in the form of a rocker;

FIG. 7 is a right side elevational view of the rocker, the left side being a mirror image thereof;

FIG. 8 is a front perspective view of a seat showing a third embodiment of my design in the form of a settee; and,

FIG. 9 is a front elevational view thereof.

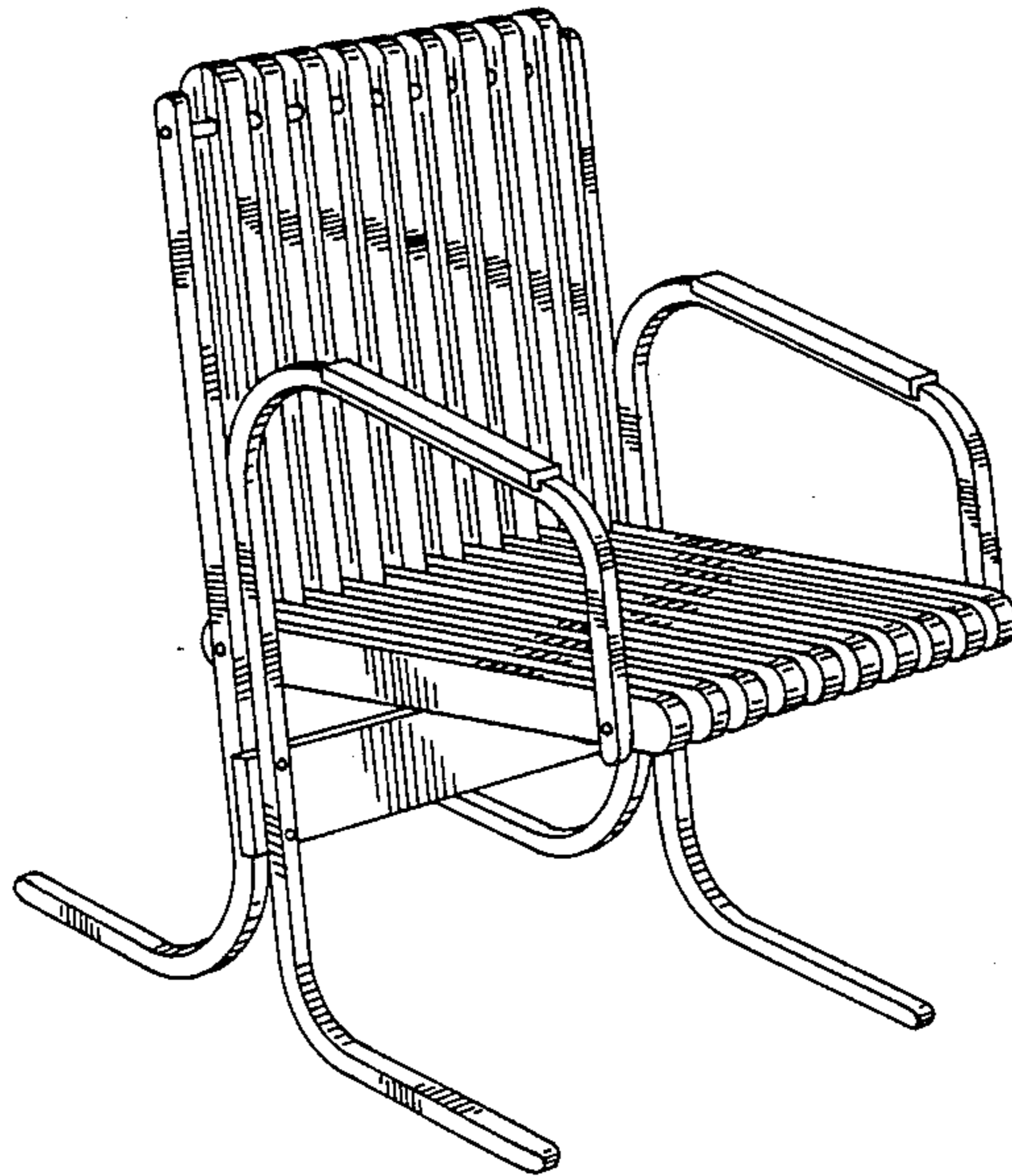


FIG. 1.

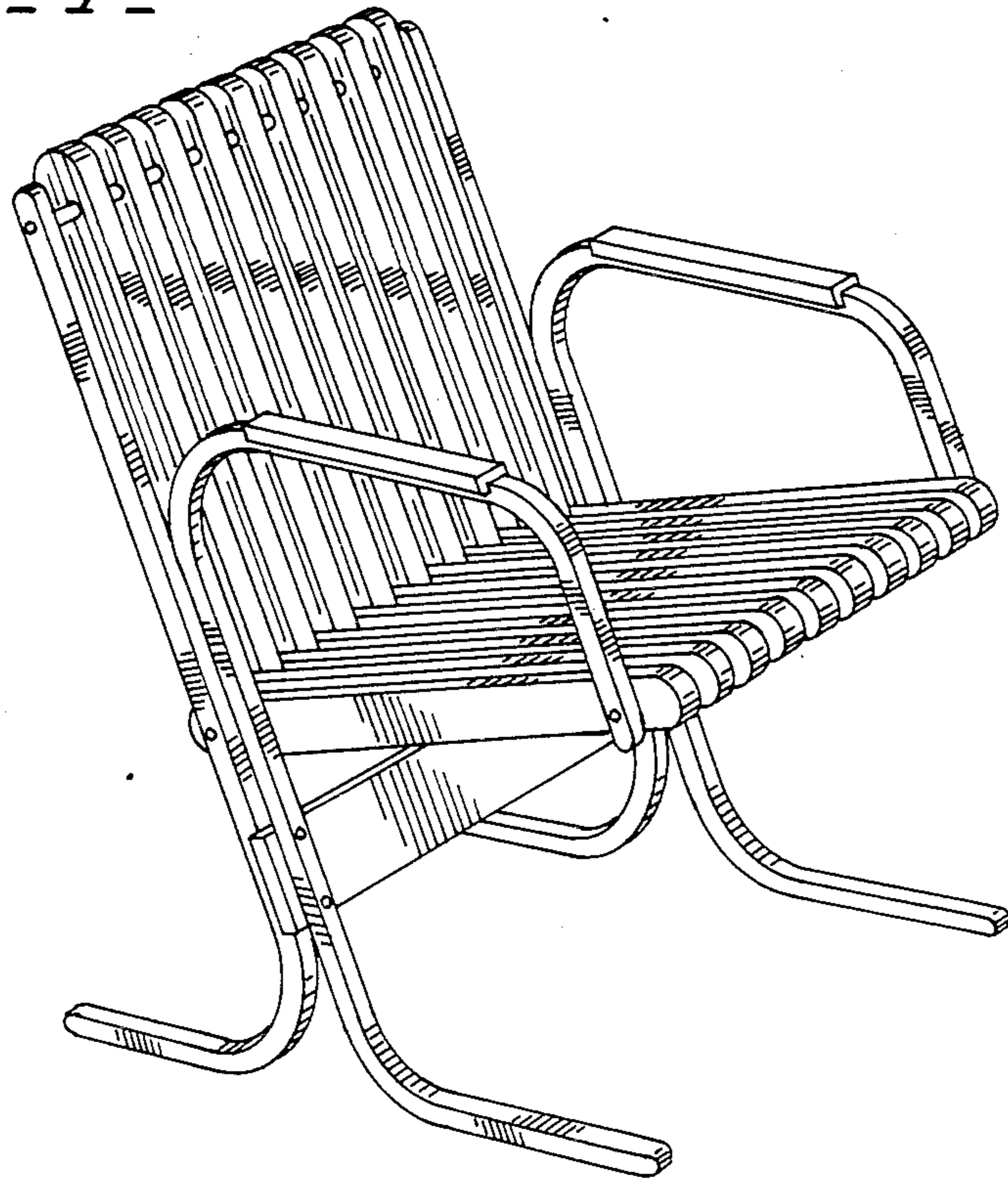


FIG. 2.

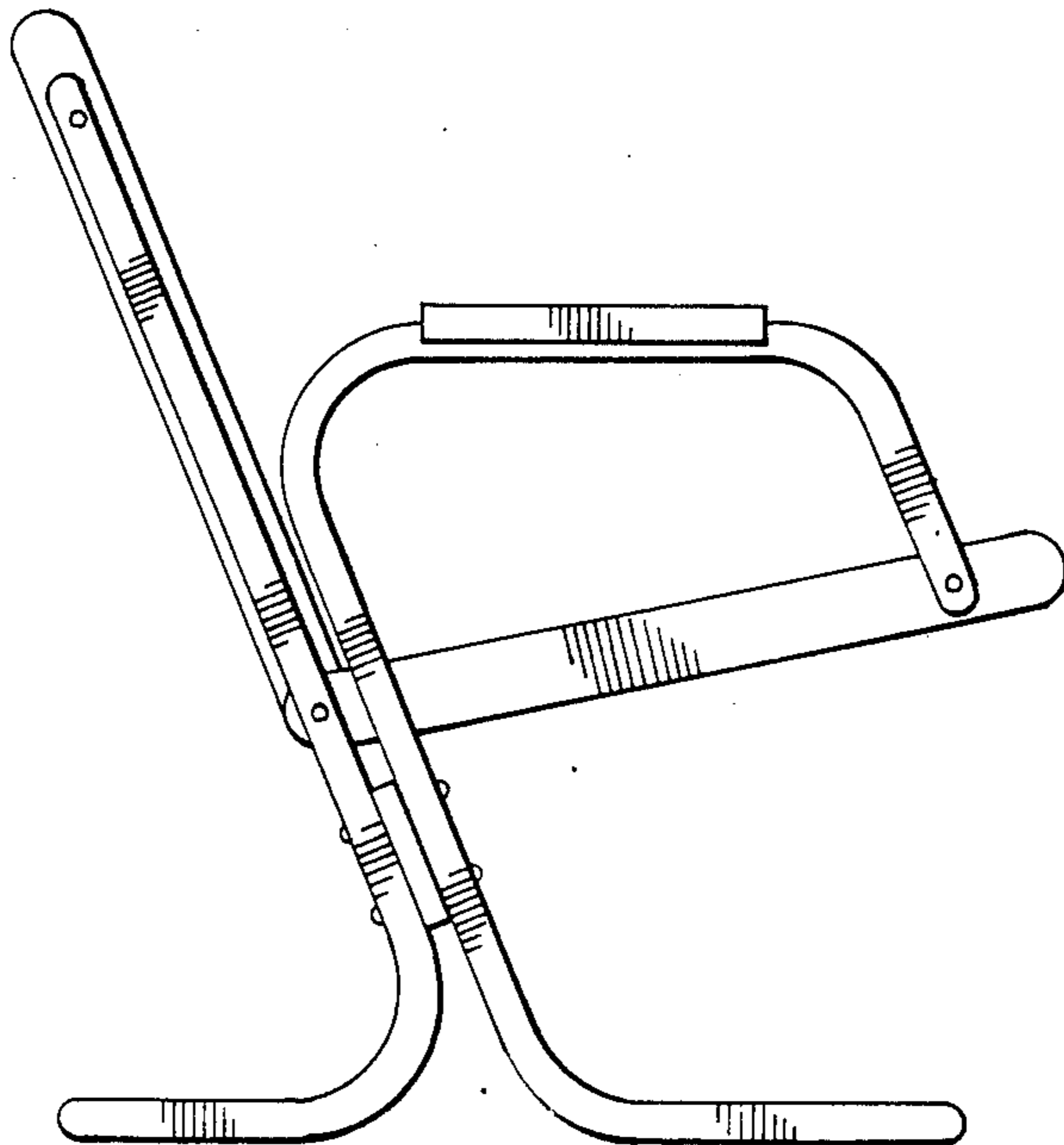


FIG-5-

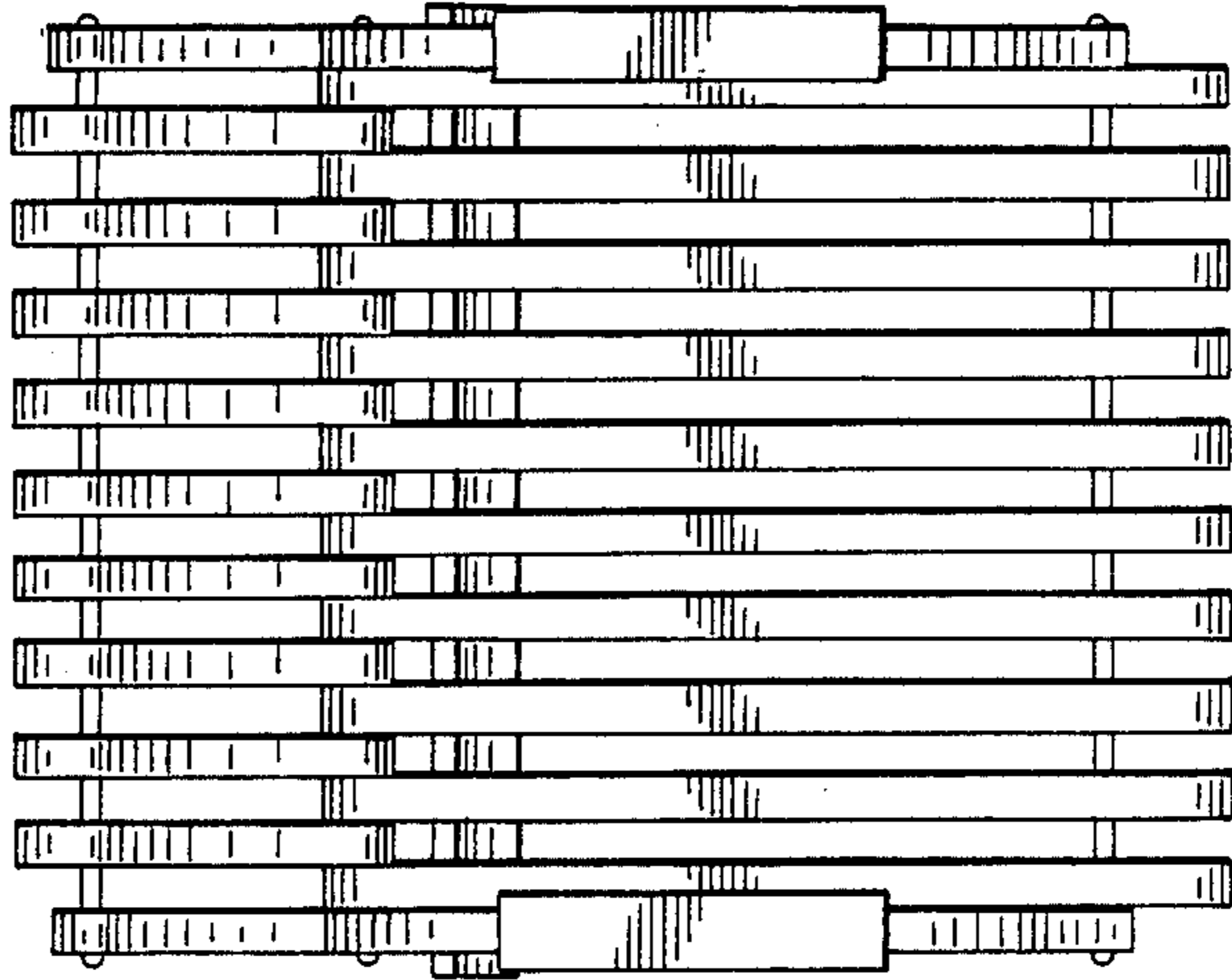


FIG-4-

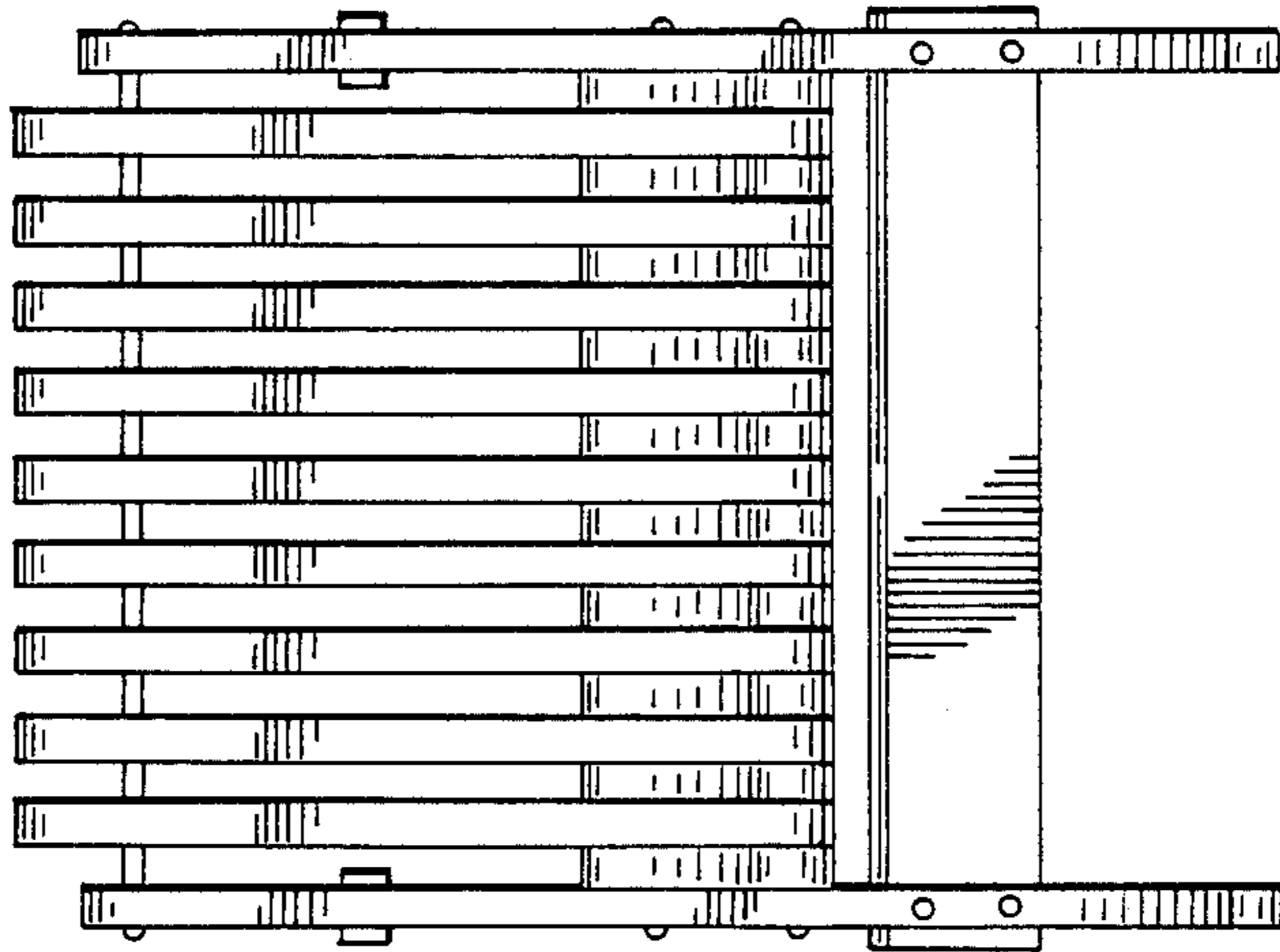


FIG-3-

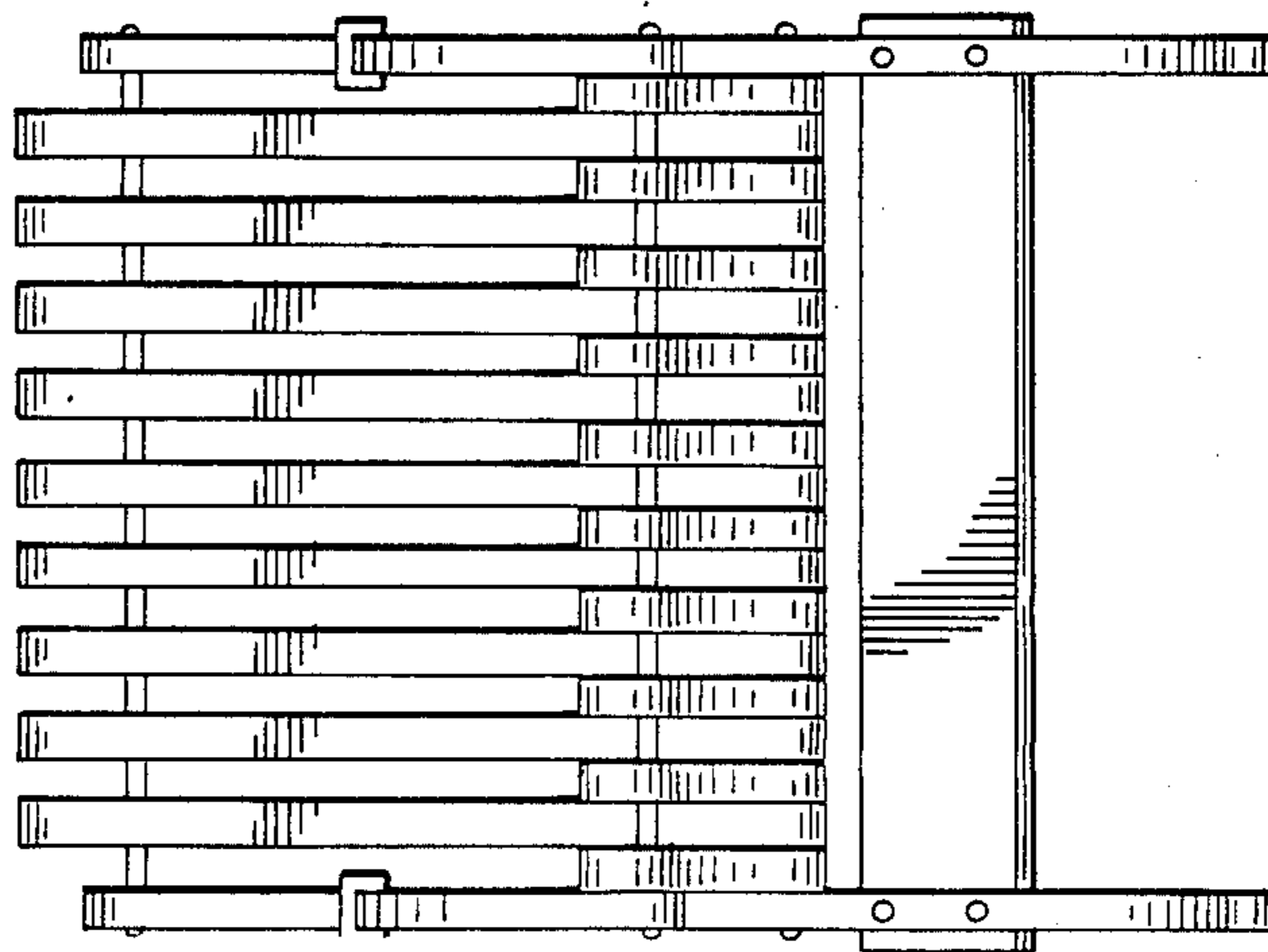


FIG. 6

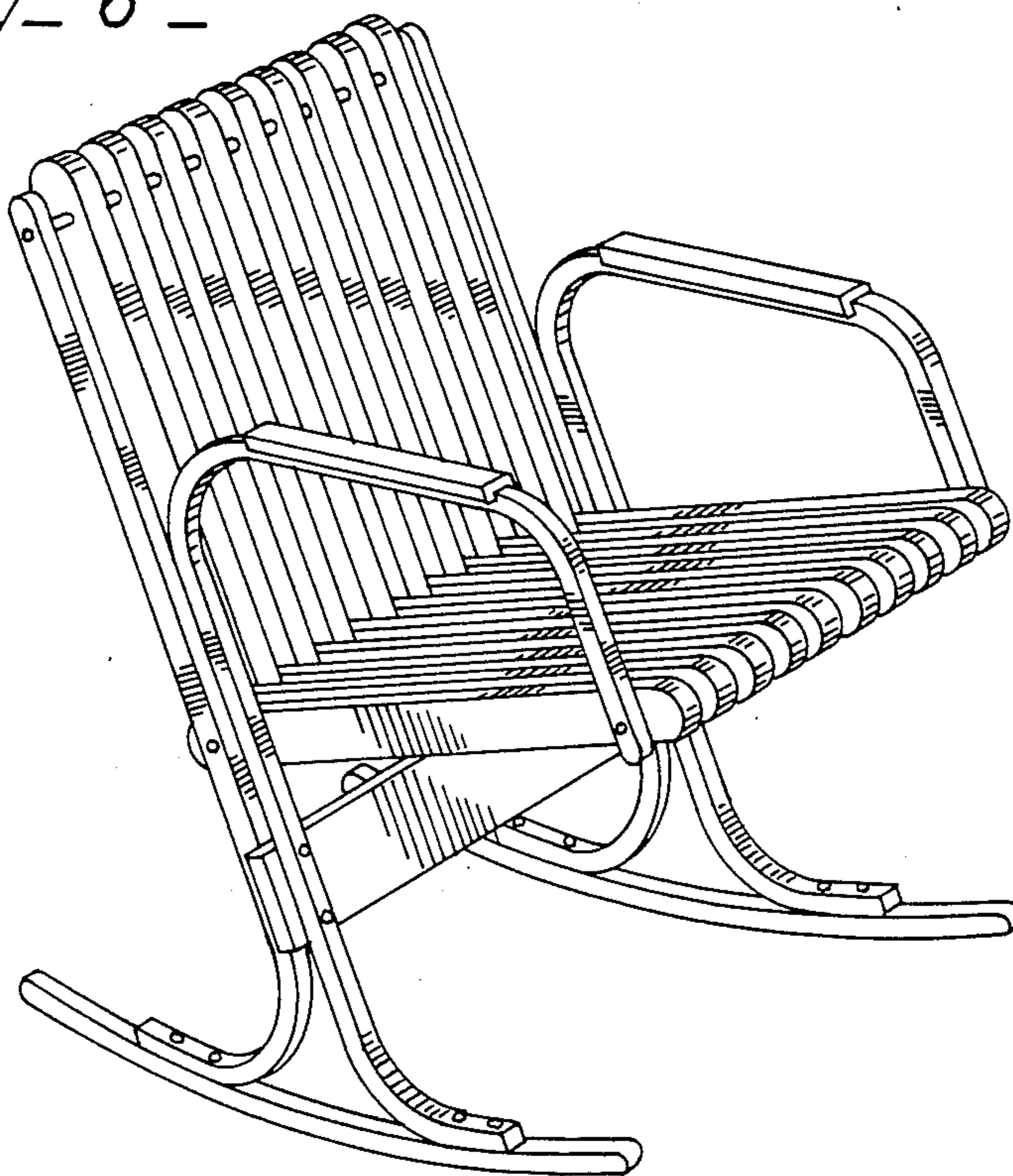


FIG. 7

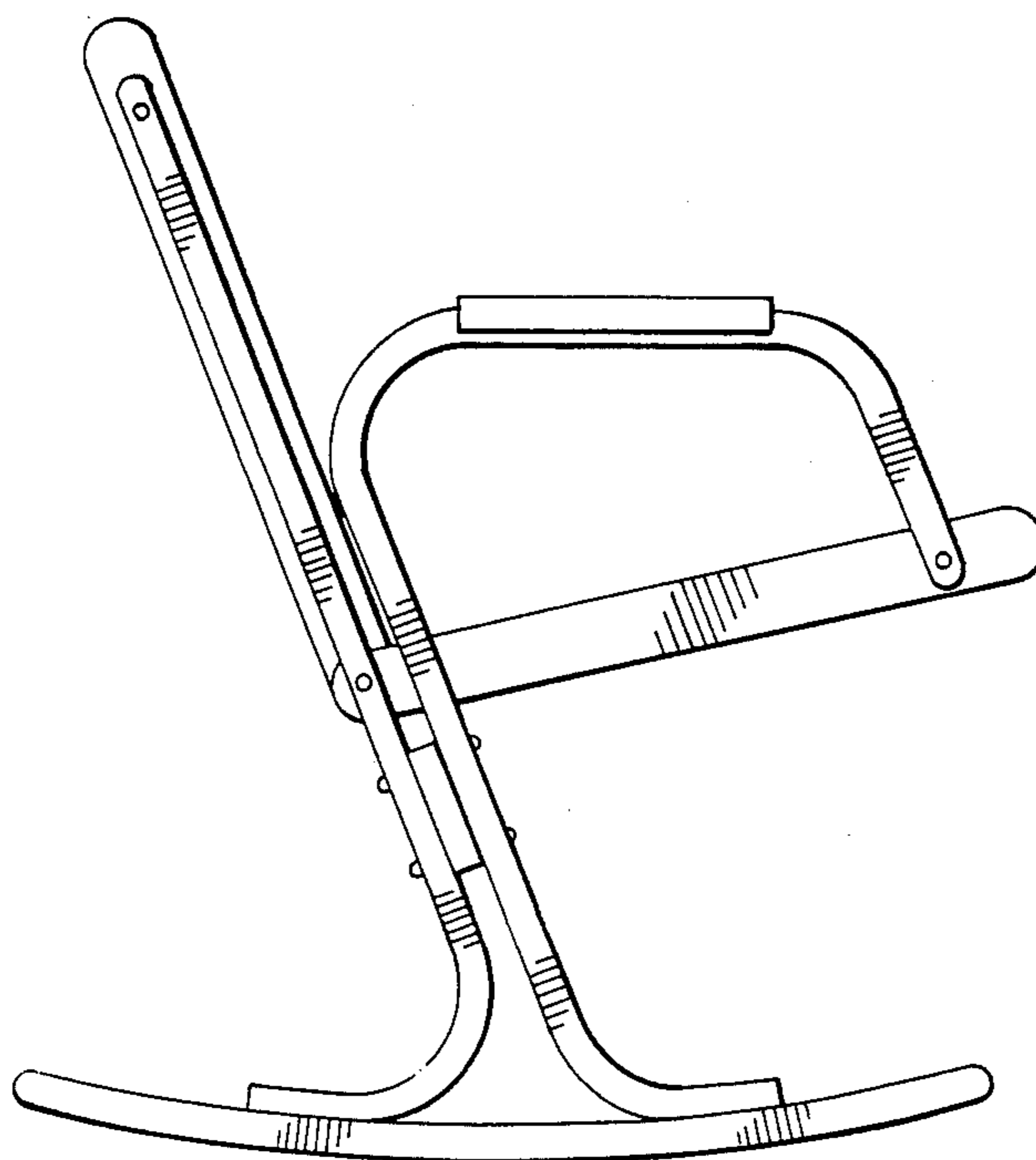


FIG. 8

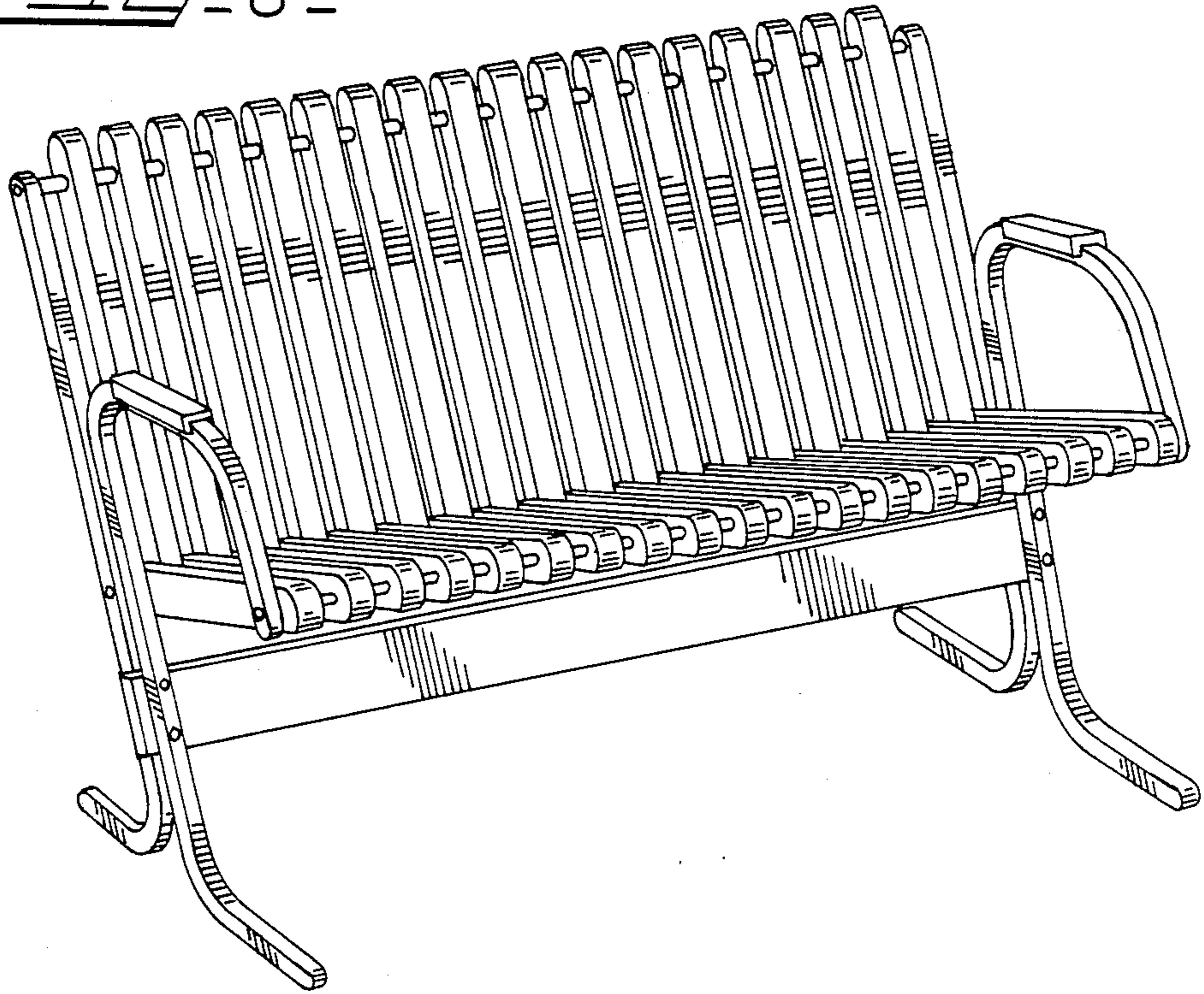


FIG. 9

