

[54] **WALLET**

[75] **Inventor: Robert M. Pangburn, Arkville, N.Y.**

[73] **Assignee: Paul Springman, Arkville, N.Y.**

[**] **Term: 14 Years**

[21] **Appl. No.: 731,040**

[22] **Filed: May 6, 1985**

[52] **U.S. Cl. D3/58**

[58] **Field of Search D3/52, 56-60,
D3/79, 100, 106; 150/131, 143, 149, 152**

[56] **References Cited**

U.S. PATENT DOCUMENTS

D. 161,422	1/1951	Chase	D3/58
D. 240,822	8/1976	Burke	D3/100
D. 240,823	8/1976	Burke	D3/100
3,542,263	11/1970	Callahan	150/143

Primary Examiner—Charles A. Rademaker
Attorney, Agent, or Firm—John Maier, III

[57] **CLAIM**

The ornamental design for a wallet, as shown and described.

DESCRIPTION

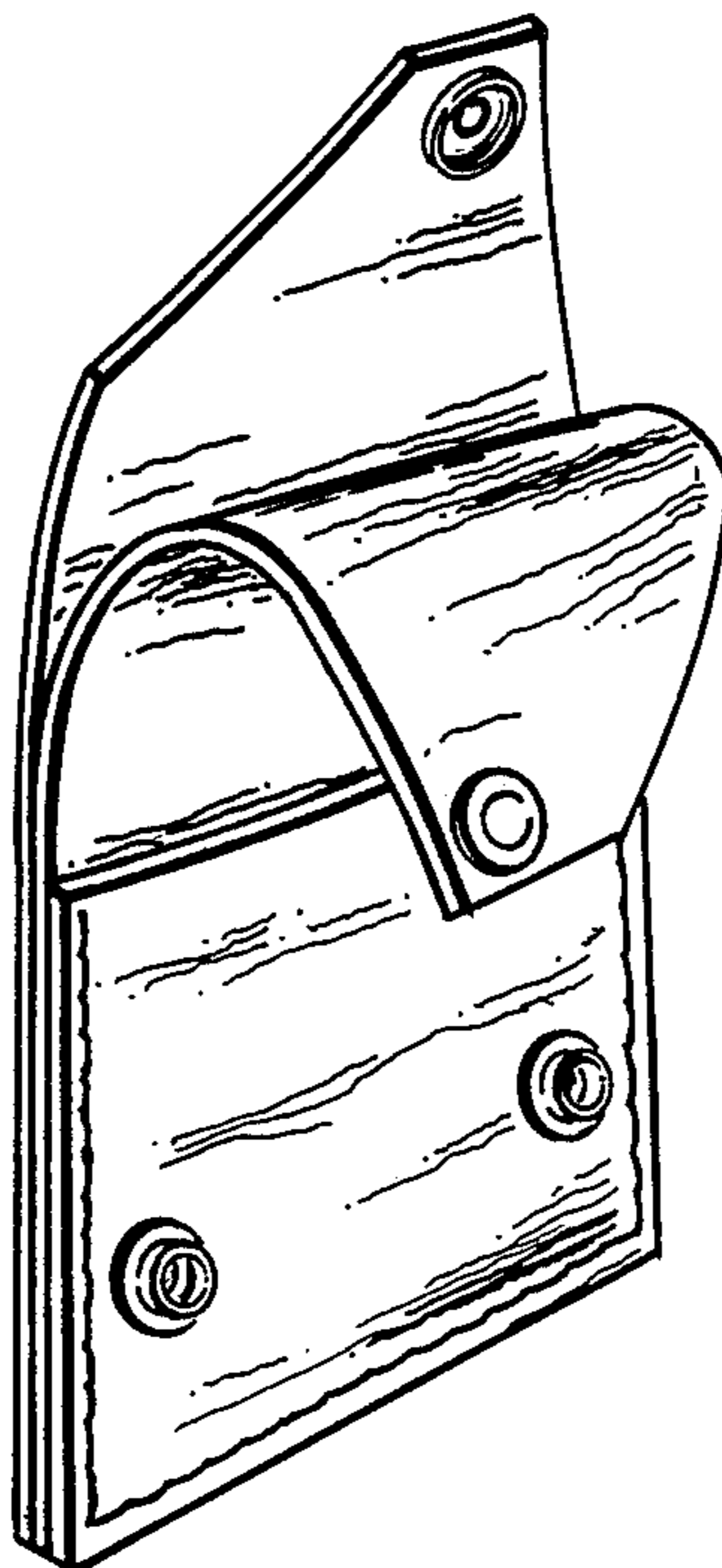
FIG. 1 is a perspective view of a wallet showing my new design with the rear flap up and the forward flap partially down;

FIG. 2 is a front elevational view thereof with the flaps closed, the dotted line disclosure of a portion of a belt being for illustrative purposes only, and not a part of the claimed design;

FIG. 3 is a top plan view of FIG. 2; and

FIG. 4 is a right side elevational view of FIG. 2.

FIG. 5 is a rear elevational view thereof with the flaps closed.



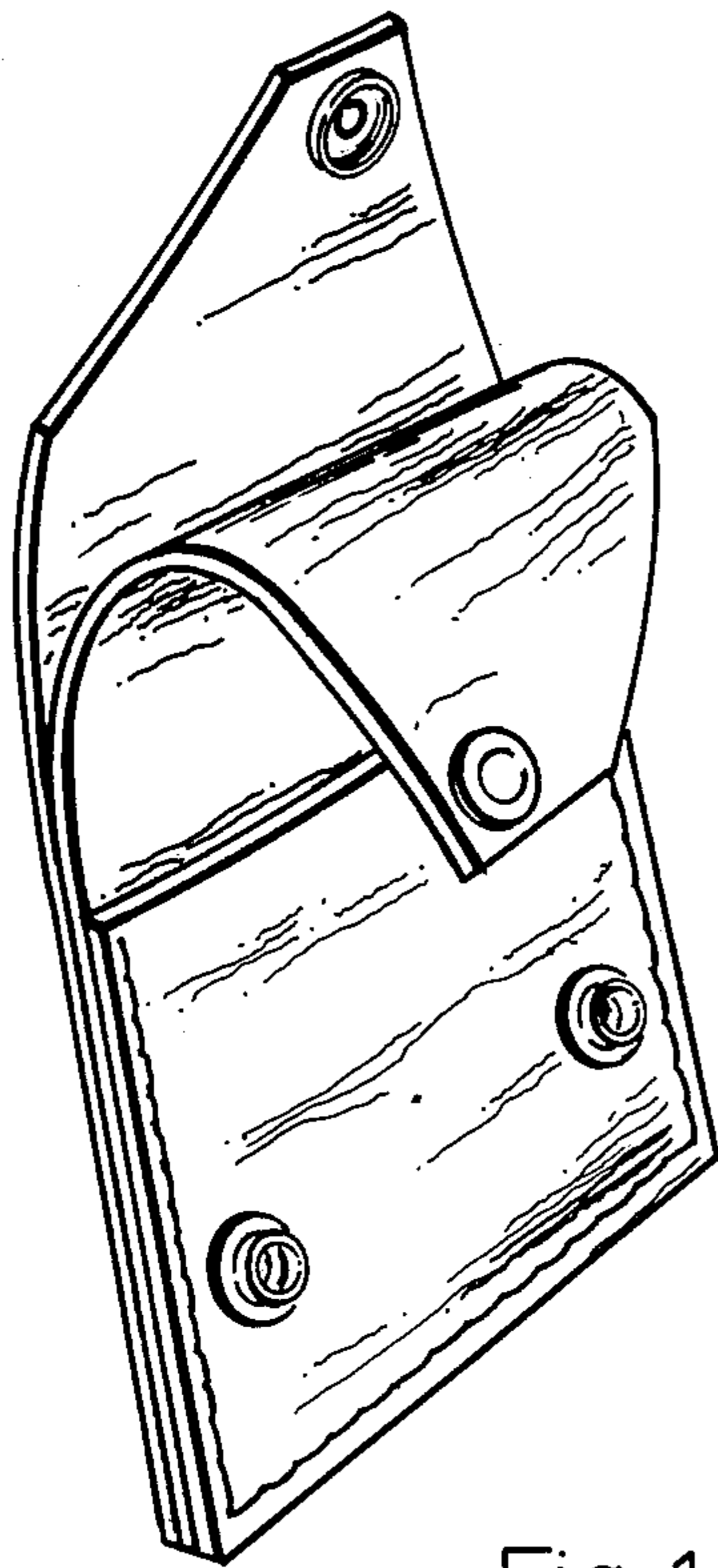


Fig. 1

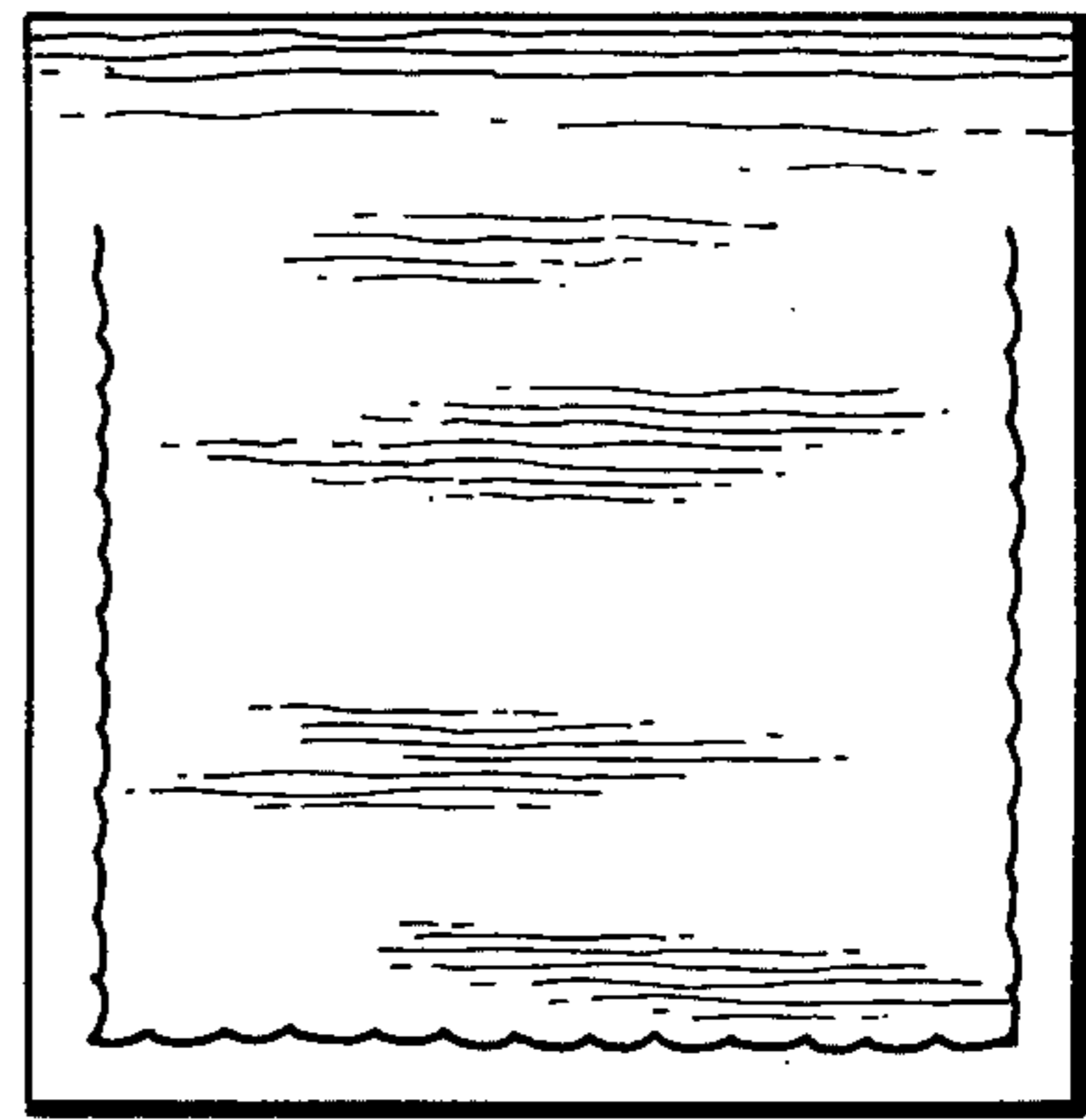


Fig. 5



Fig. 3

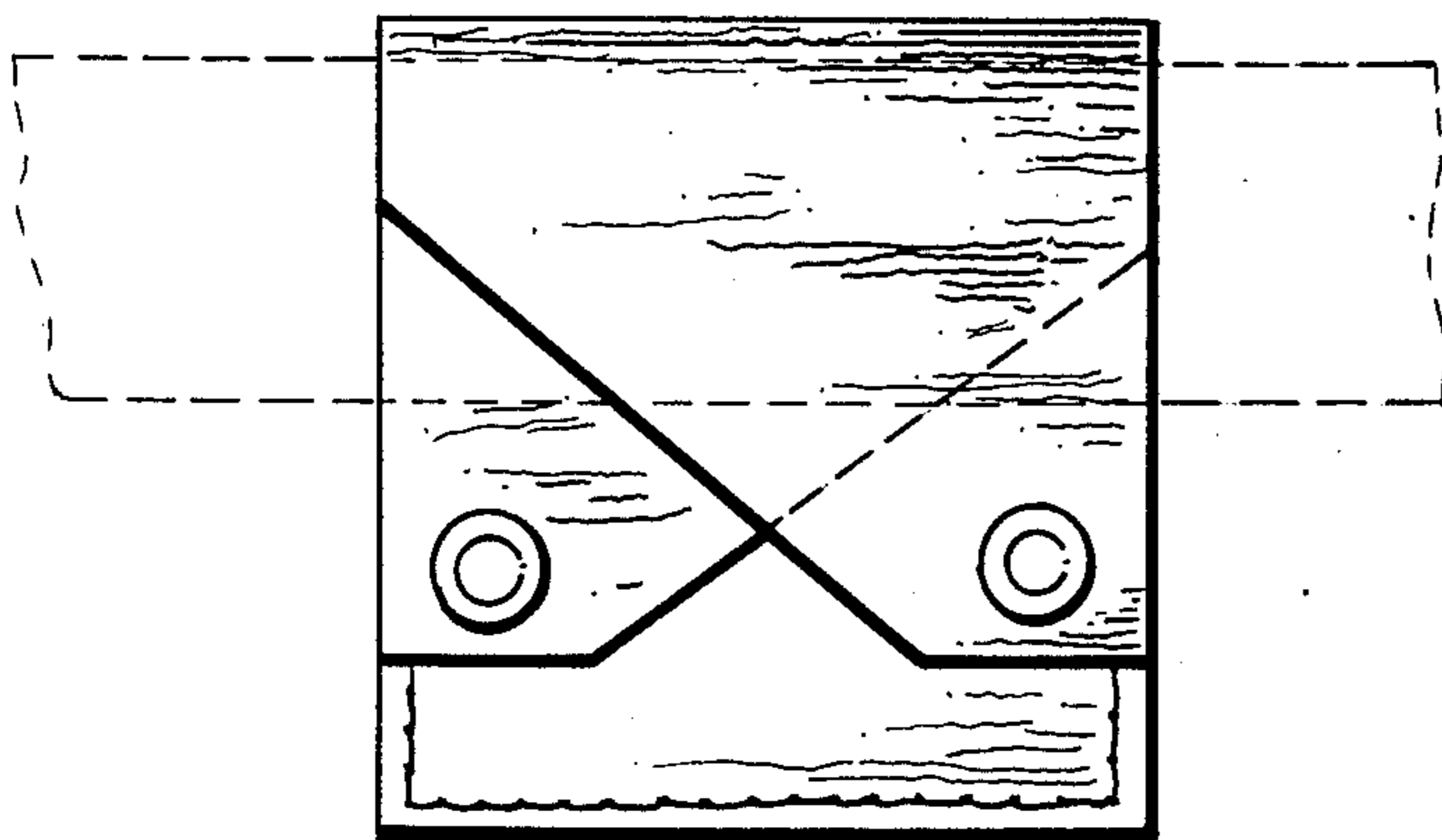


Fig. 2



Fig. 4