

[54] **CARRYING CASE FOR AUDIO CASSETTES**

[75] **Inventor: Peter W. McGennis, Buffalo, N.Y.**

[73] **Assignee: Buffalo Viking Machine Tool Corporation, Buffalo, N.Y.**

[**] **Term: 14 Years**

[21] **Appl. No.: 754,773**

[22] **Filed: Jul. 15, 1985**

[52] **U.S. Cl. D3/35; D3/52; D3/60; D3/79**

[58] **Field of Search D3/35, 74, 60, 56, 52, D3/77, 78, 79; 150/131, 145, 146; D6/407; 206/387; 211/41, 42, 40**

[56] **References Cited**

U.S. PATENT DOCUMENTS

D. 250,855	1/1979	Gotz	D3/52
D. 251,082	2/1979	Petrie	D3/60
D. 268,347	3/1983	Marsh	D3/56 X
D. 279,233	6/1985	Feingold et al.	D3/35
2,732,874	1/1956	Carstensen	D3/56 X
3,334,677	8/1967	Toomey	150/145 X

Primary Examiner—Carmen H. Vales
Attorney, Agent, or Firm—Christel, Bean & Linihan

[57] **CLAIM**

The ornamental design for a carrying case for audio cassettes, substantially as shown and described.

DESCRIPTION

FIG. 1 is a perspective view of a carrying case for audio cassettes, showing my new design, the opposite side not shown being identical thereto;

FIG. 2 is a front elevational view thereof;

FIG. 3 is a right side elevational view thereof;

FIG. 4 is a left side elevational view thereof;

FIG. 5 is a top plan view thereof;

FIG. 6 is a bottom plan view thereof;

FIG. 7 is a perspective view in partially open position;

FIG. 8 is a front elevational view thereof;

FIG. 9 is a right side elevational view thereof;

FIG. 10 is a top plan view thereof;

FIG. 11 is a bottom plan view thereof;

FIG. 12 is a perspective view in fully extended position;

FIG. 13 is a right side elevational view thereof;

FIG. 14 is a left side elevational view thereof;

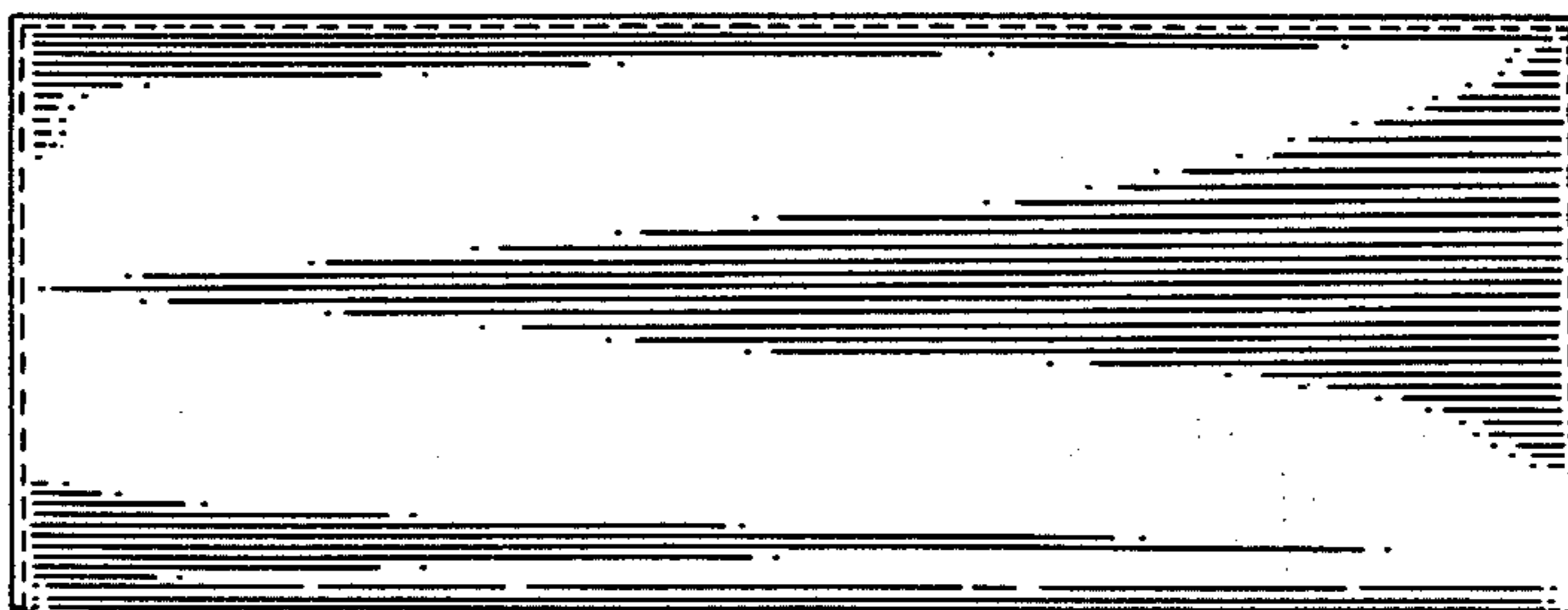
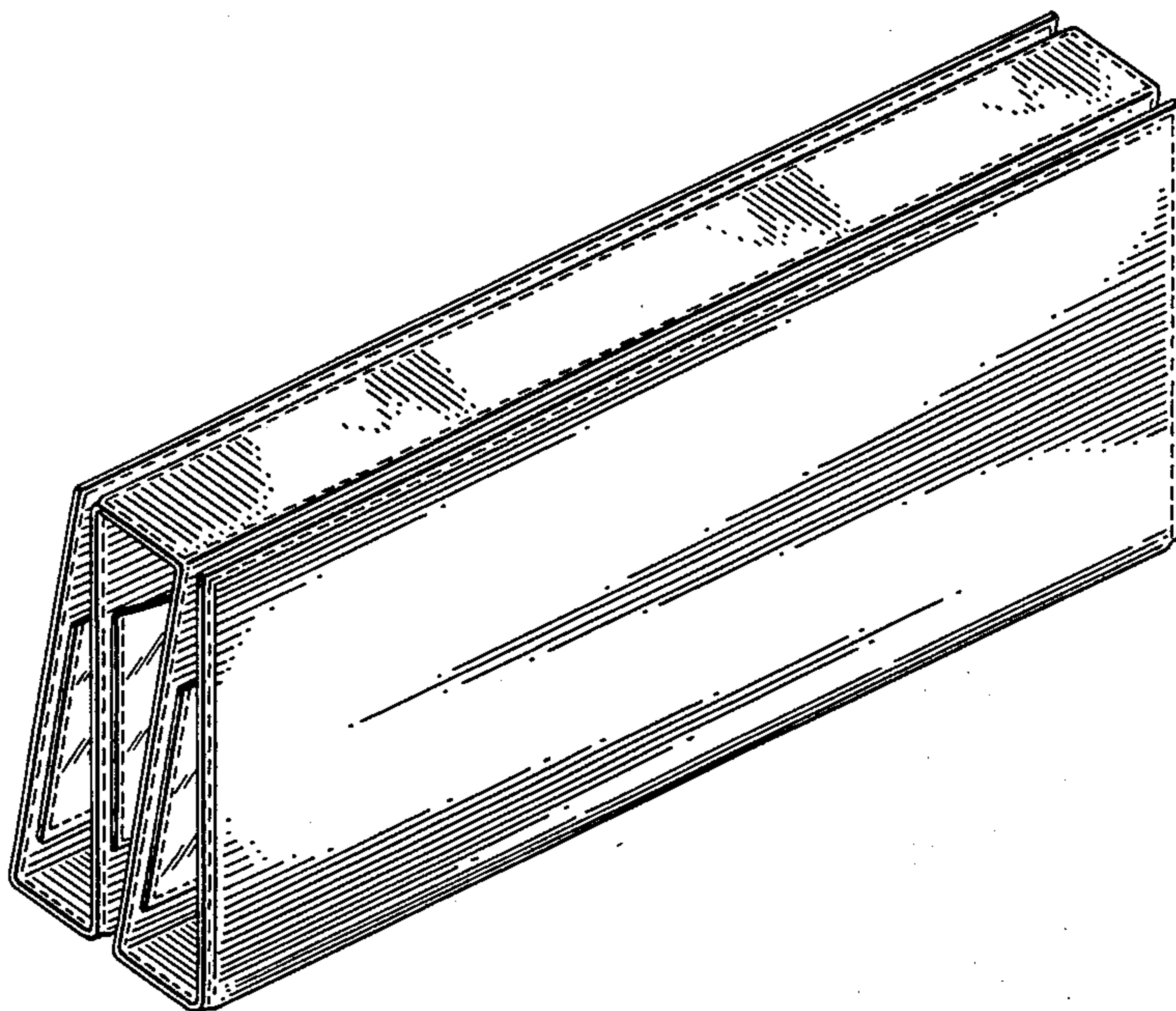
FIG. 15 is a front elevational view thereof;

FIG. 16 is a rear elevational view thereof;

FIG. 17 is a top plan view thereof; and,

FIG. 18 is a bottom plan view thereof.

The back elevation view of the FIG. 1 case as seen generally from the left in FIG. 1 is substantially the same as the FIG. 2 view.



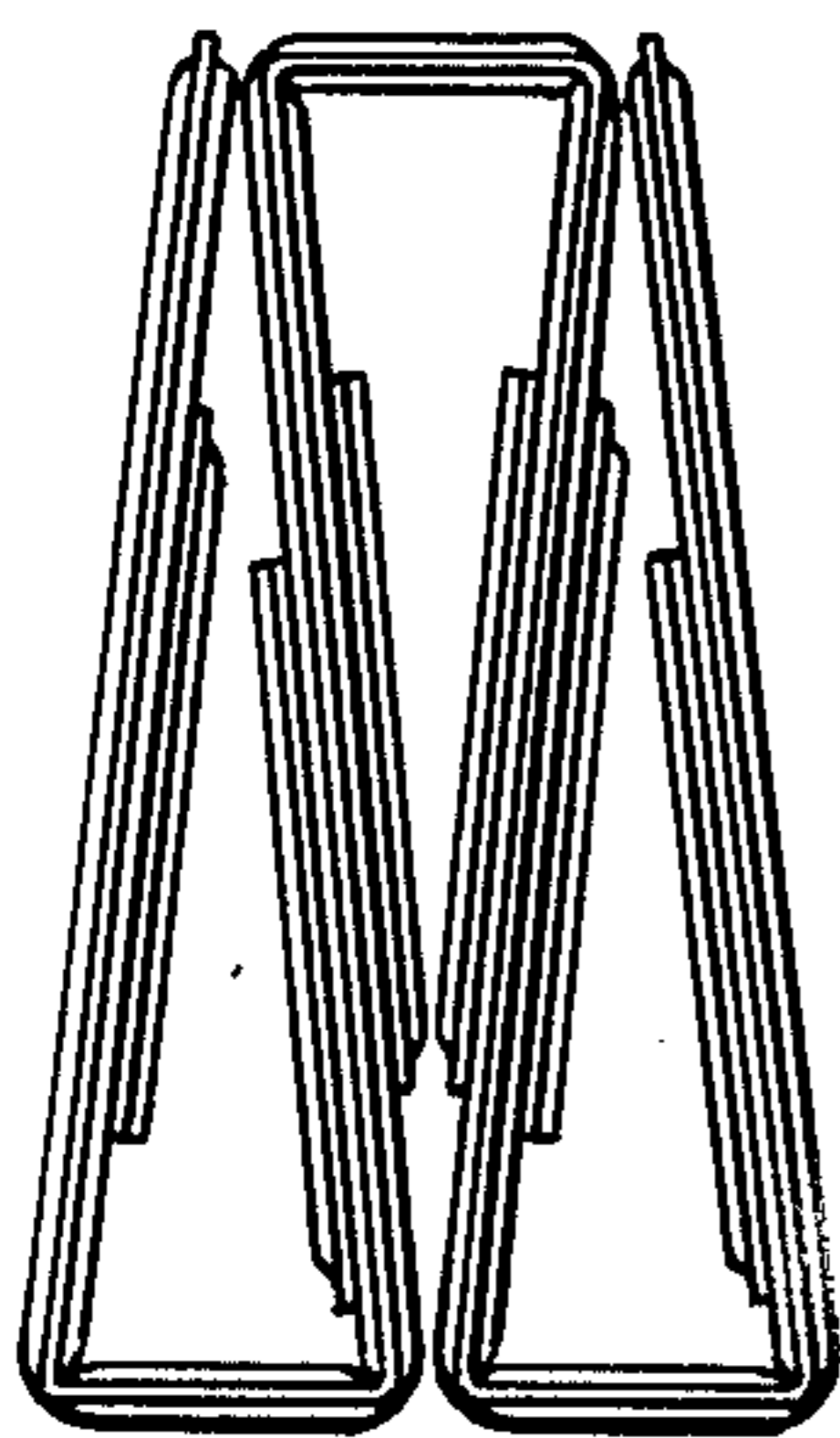


Fig. 4.

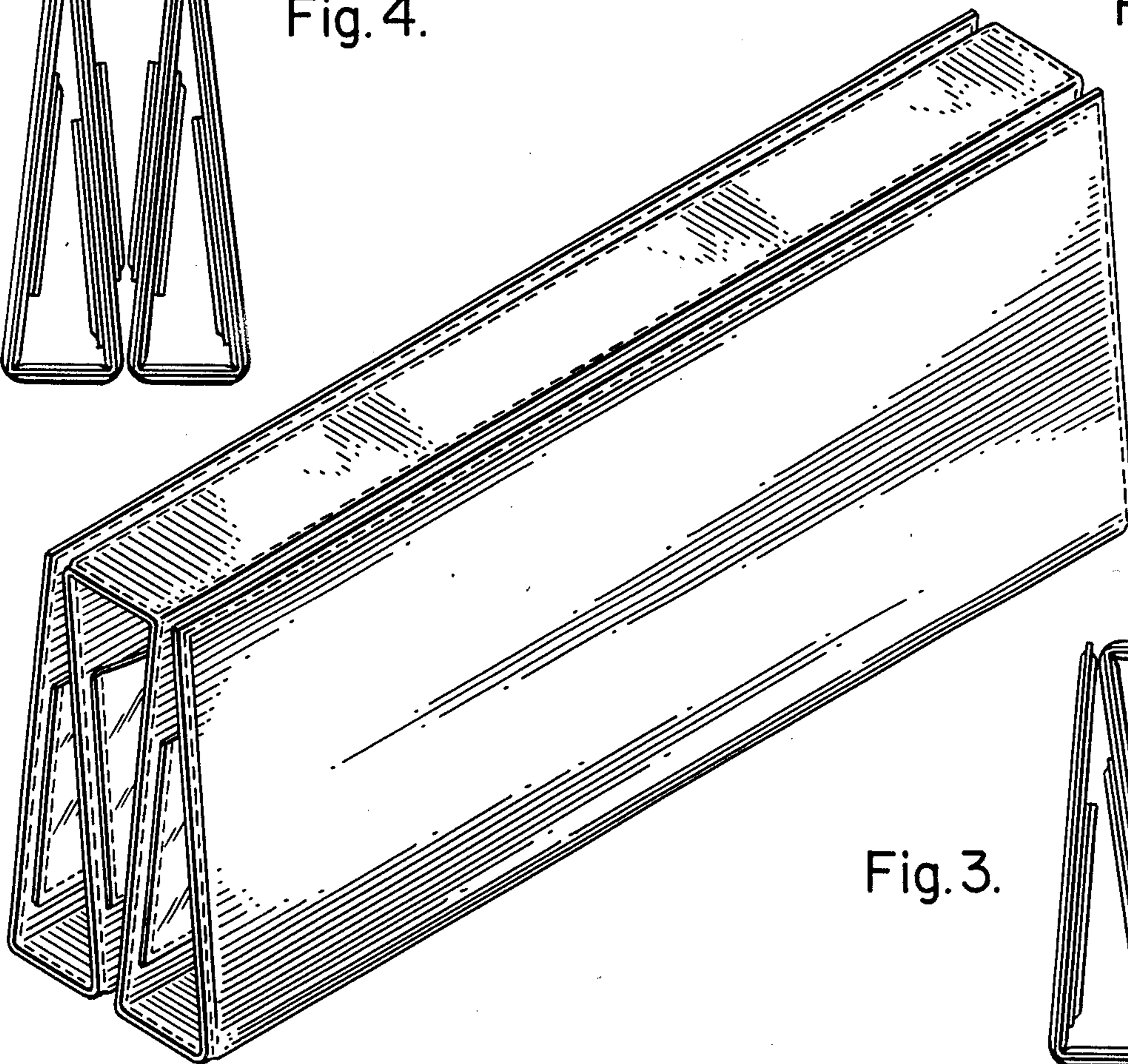


Fig. 1.

Fig. 3.

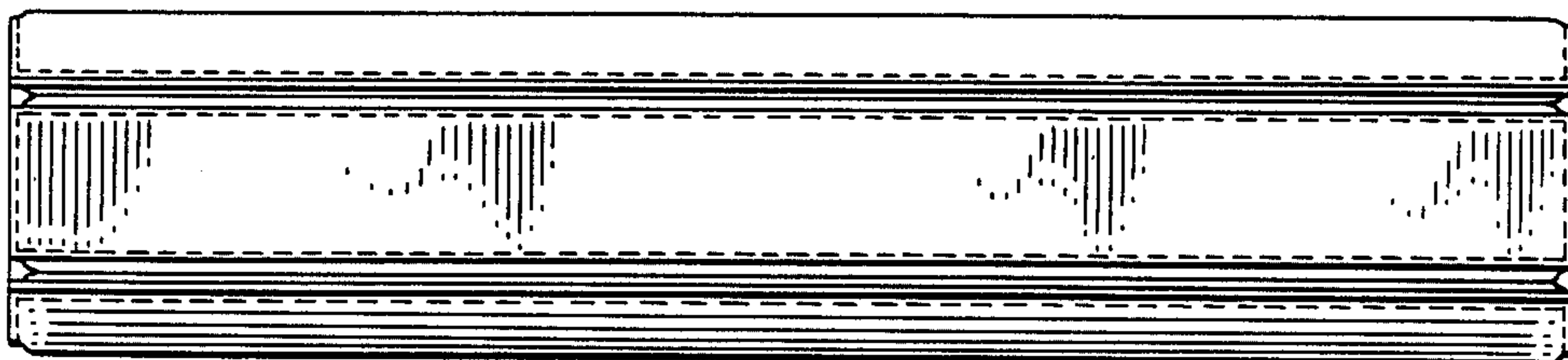
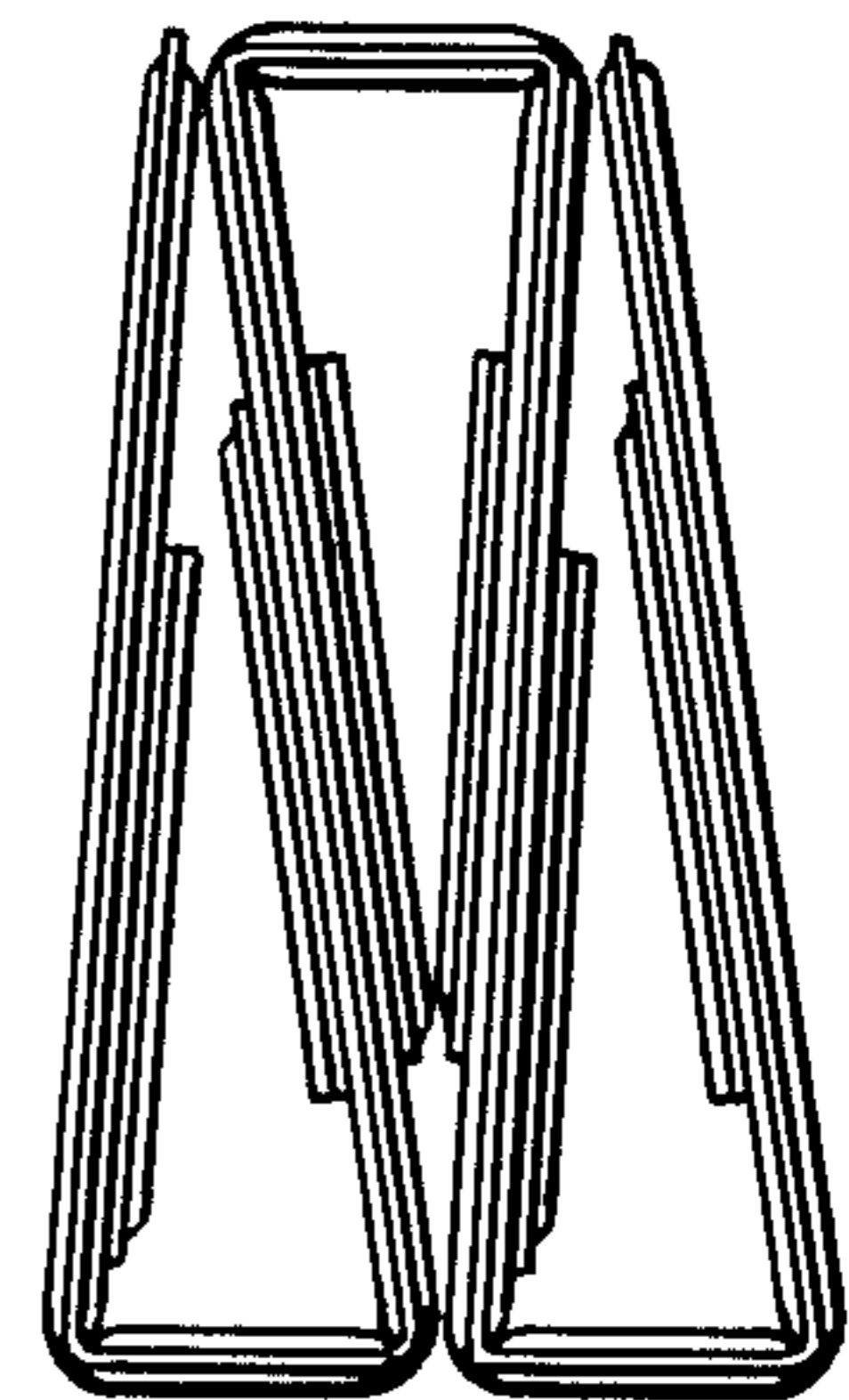


Fig. 5.

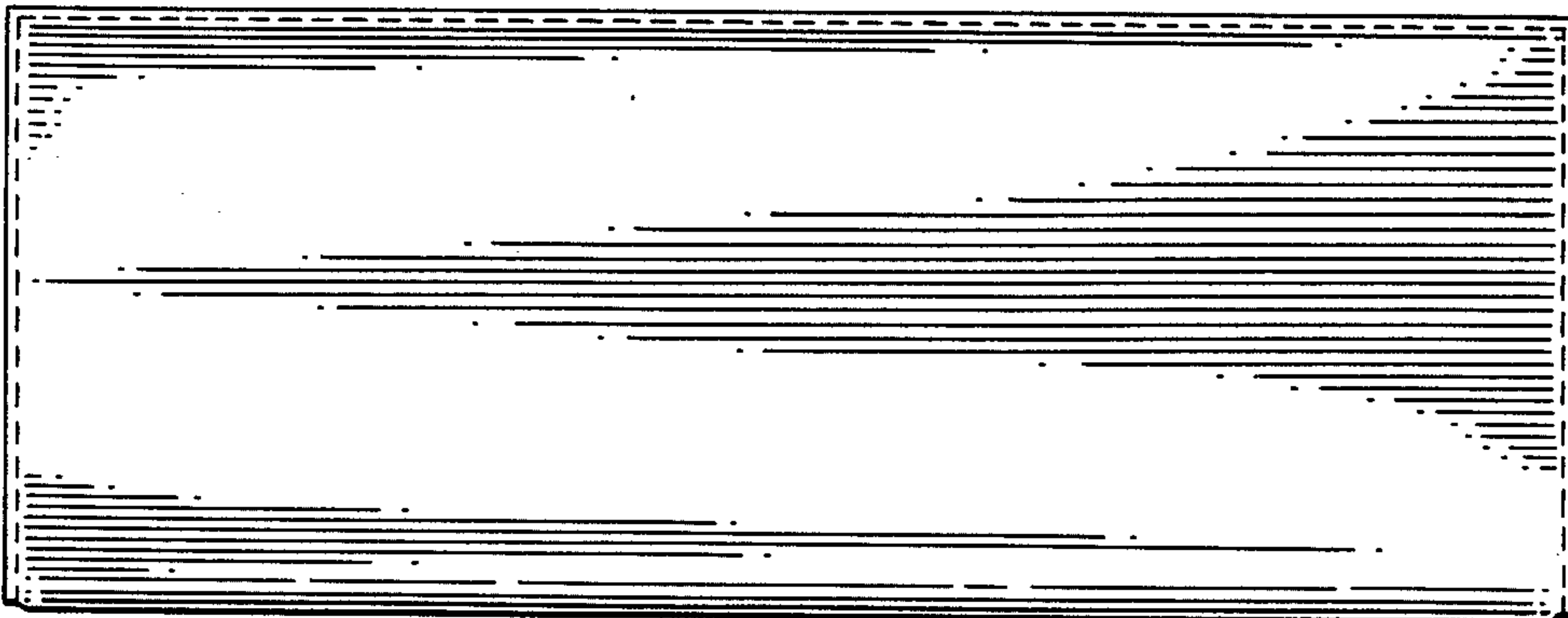


Fig. 2.

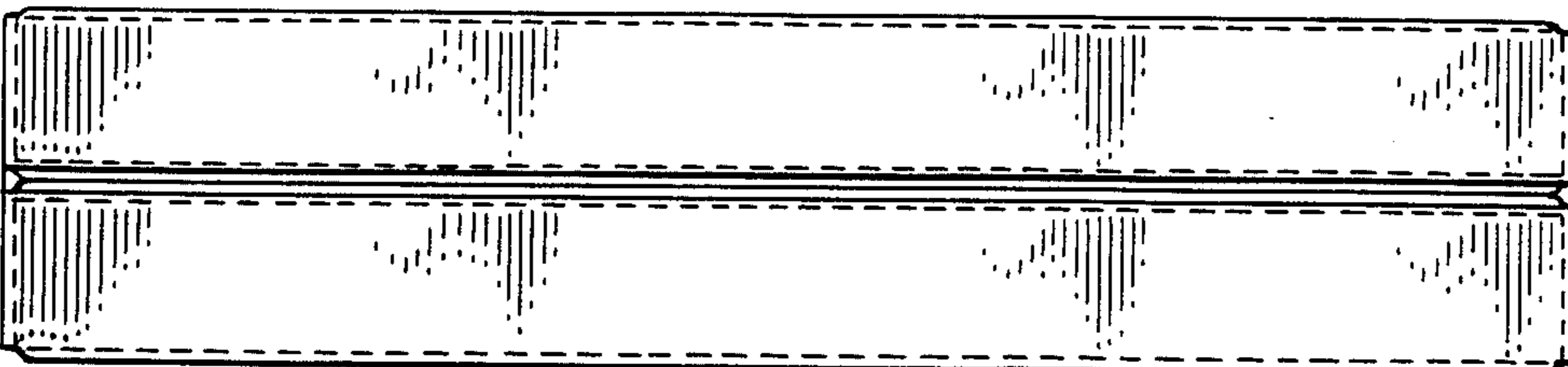


Fig. 6.

Fig. 7.

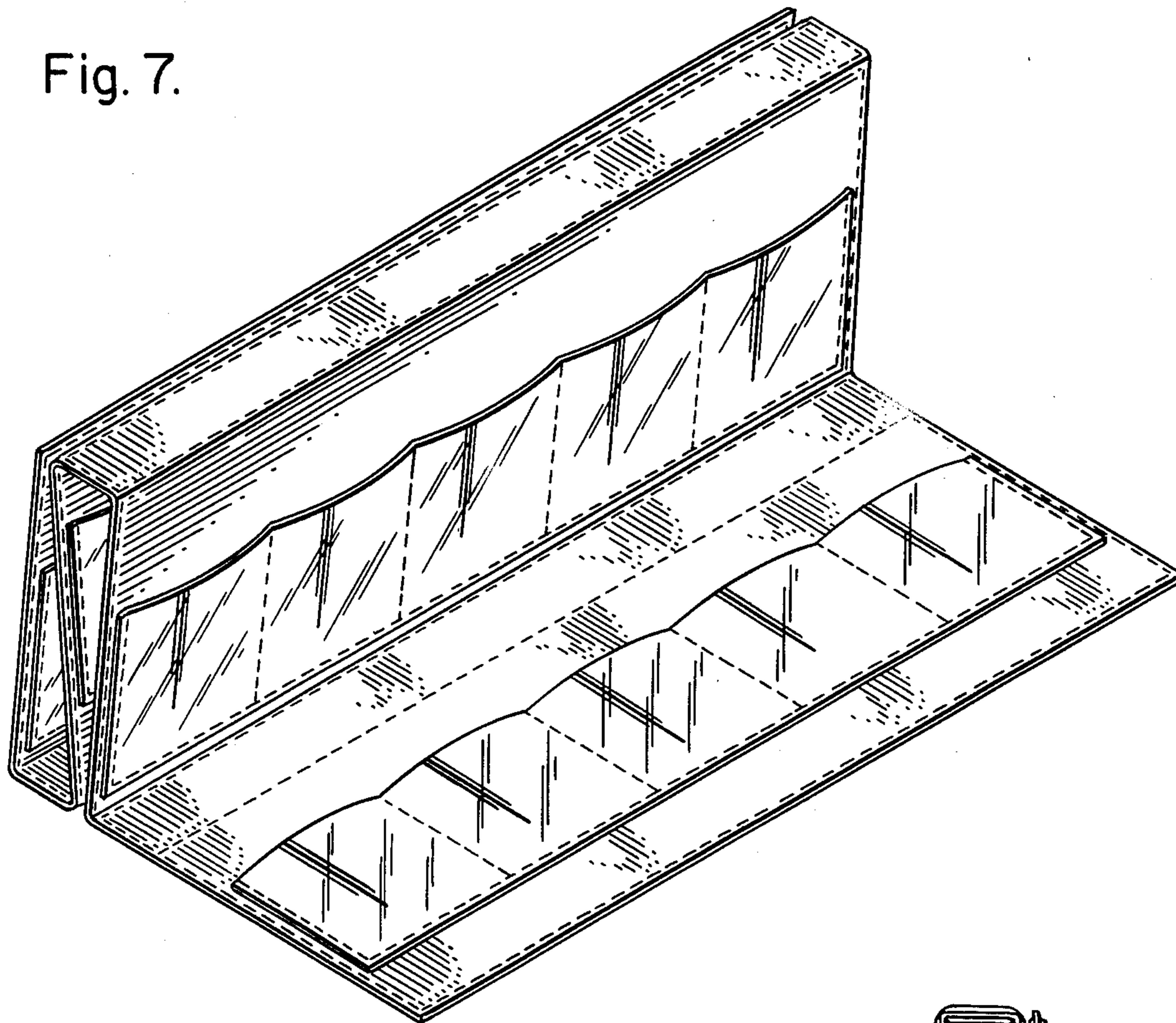


Fig. 9.

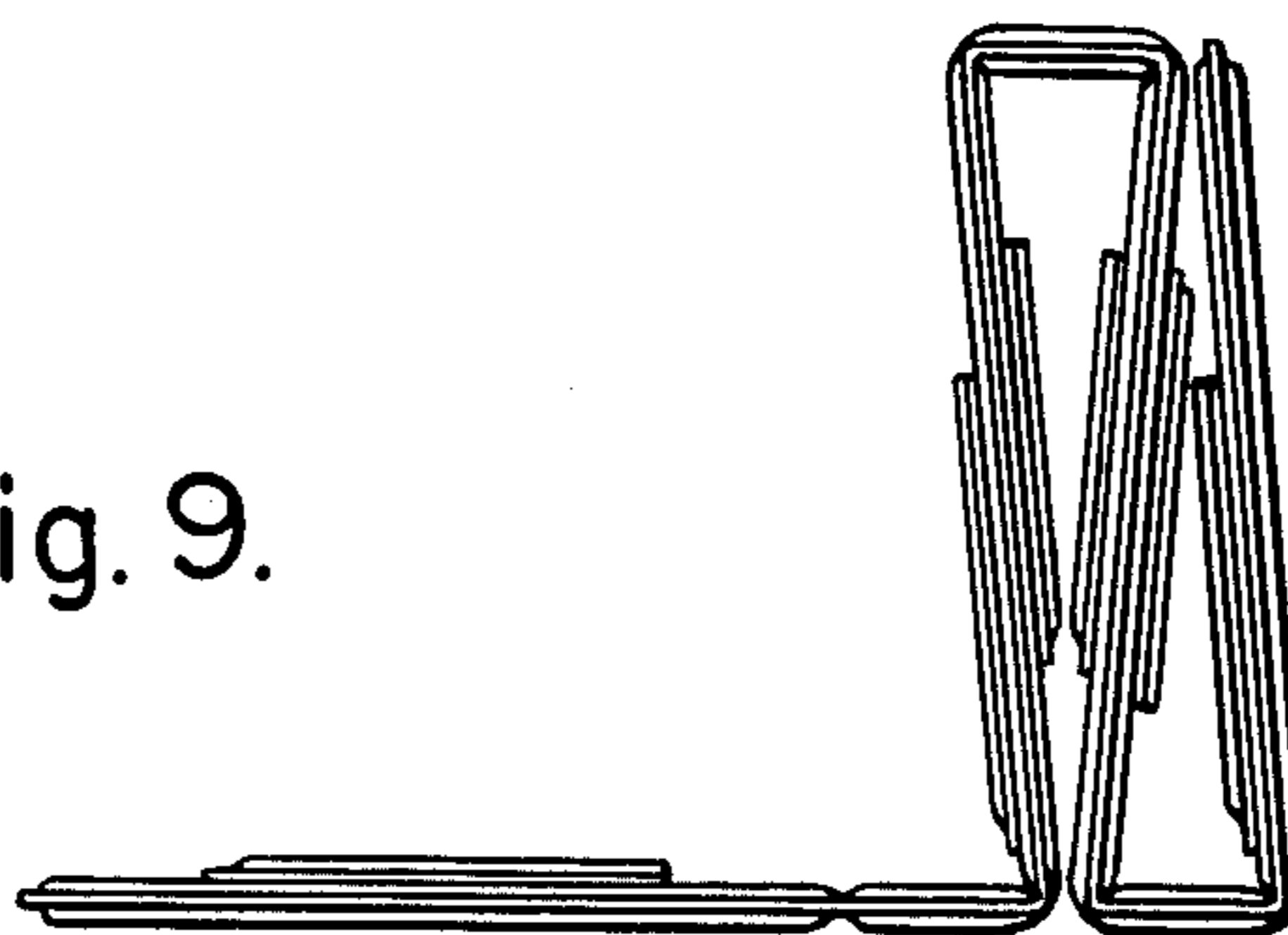


Fig. 8.

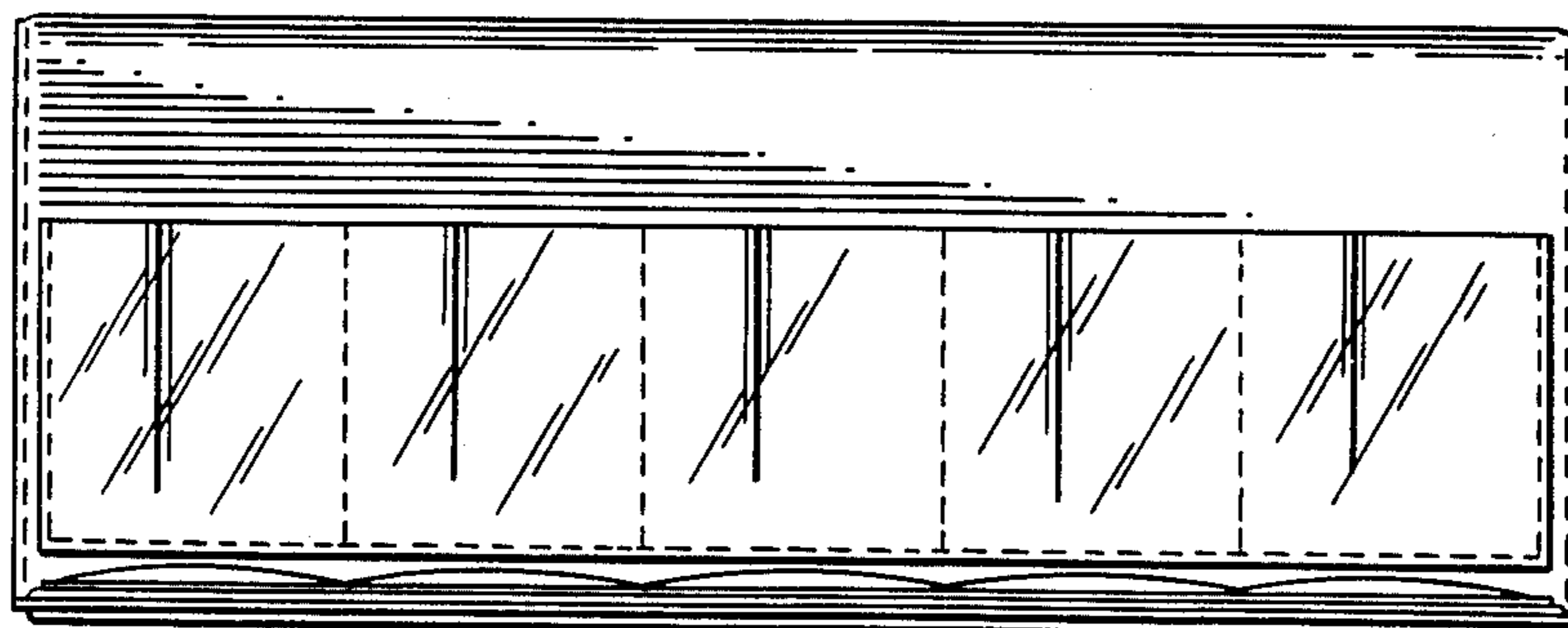


Fig. 10.

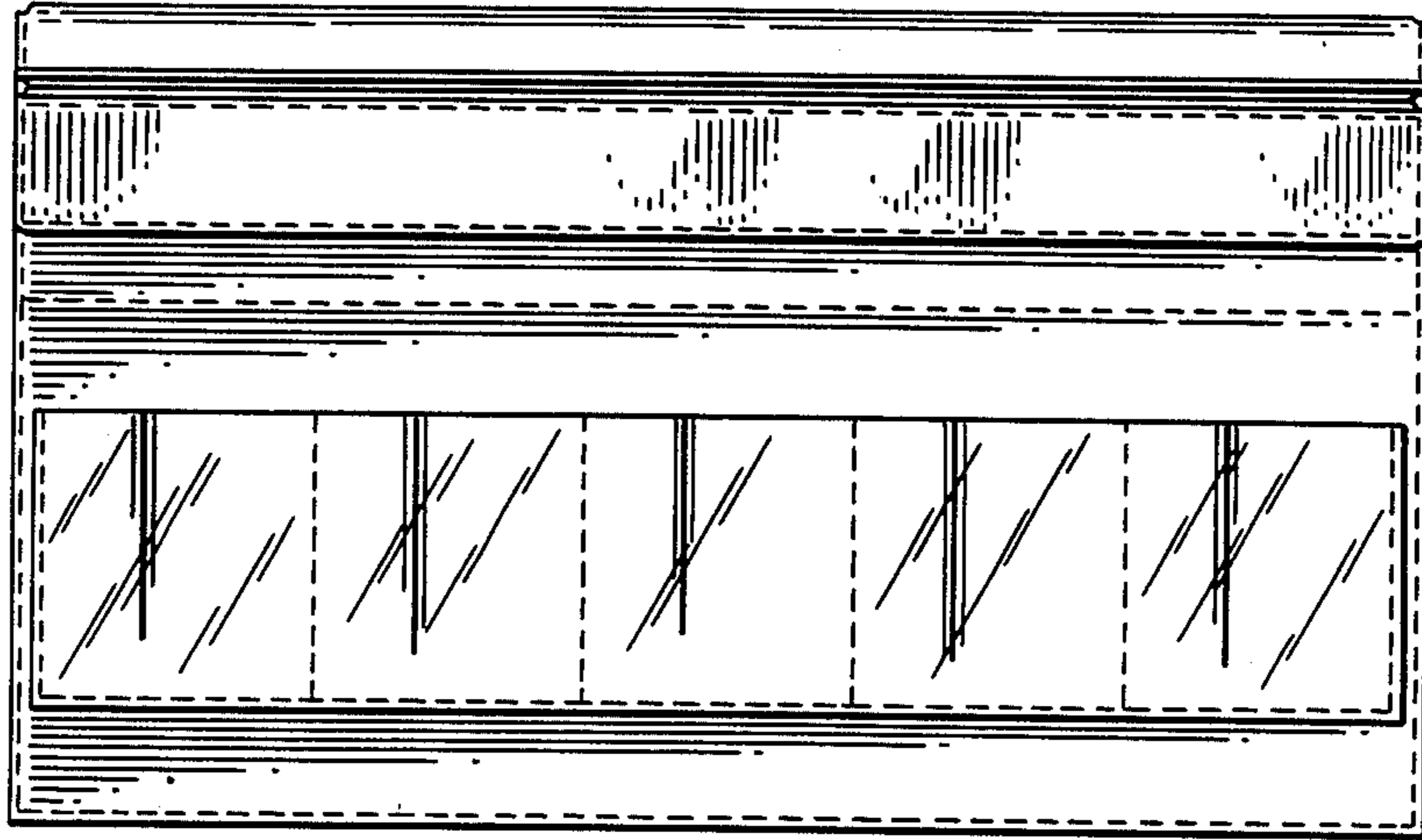


Fig. 11.

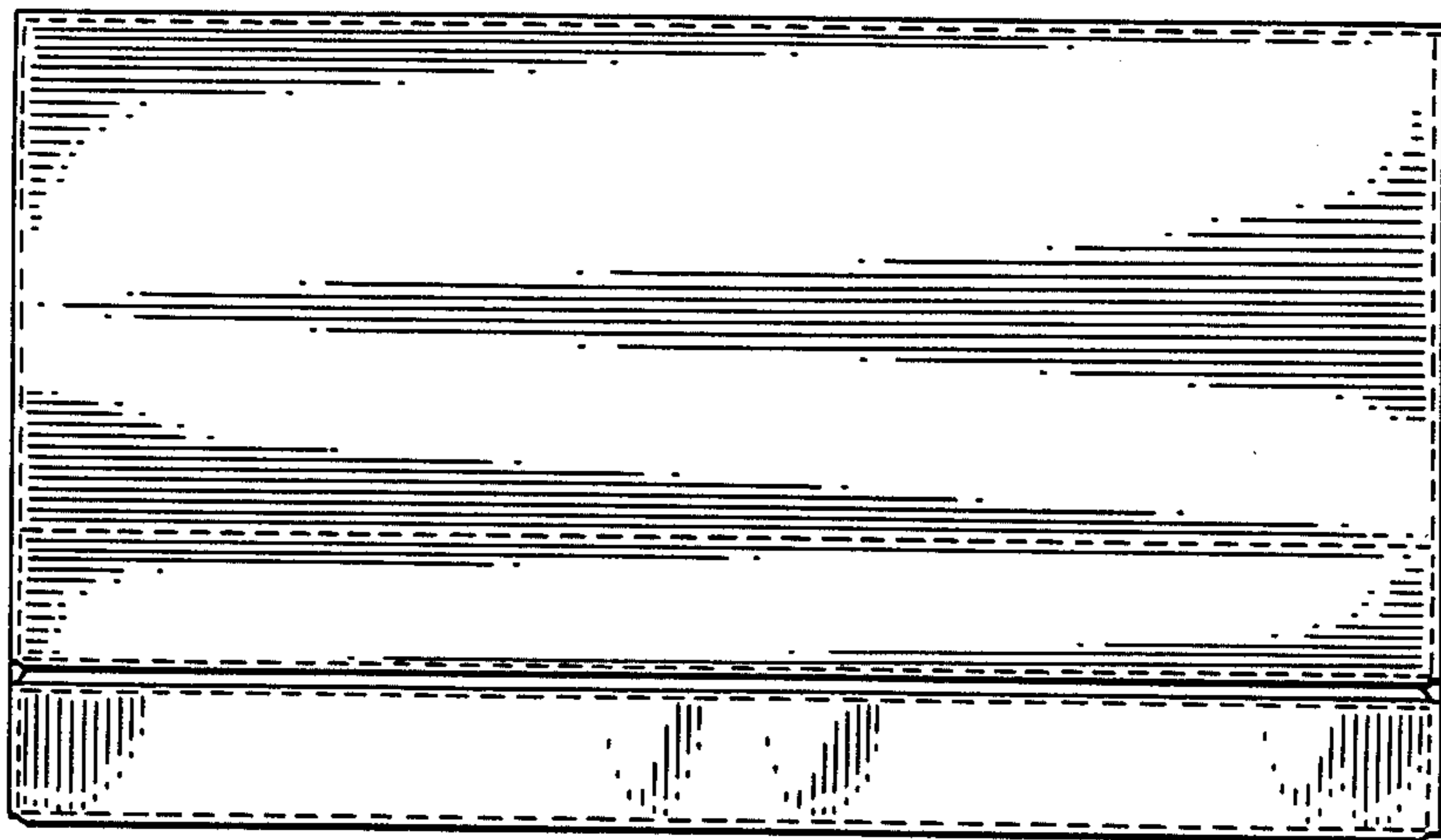
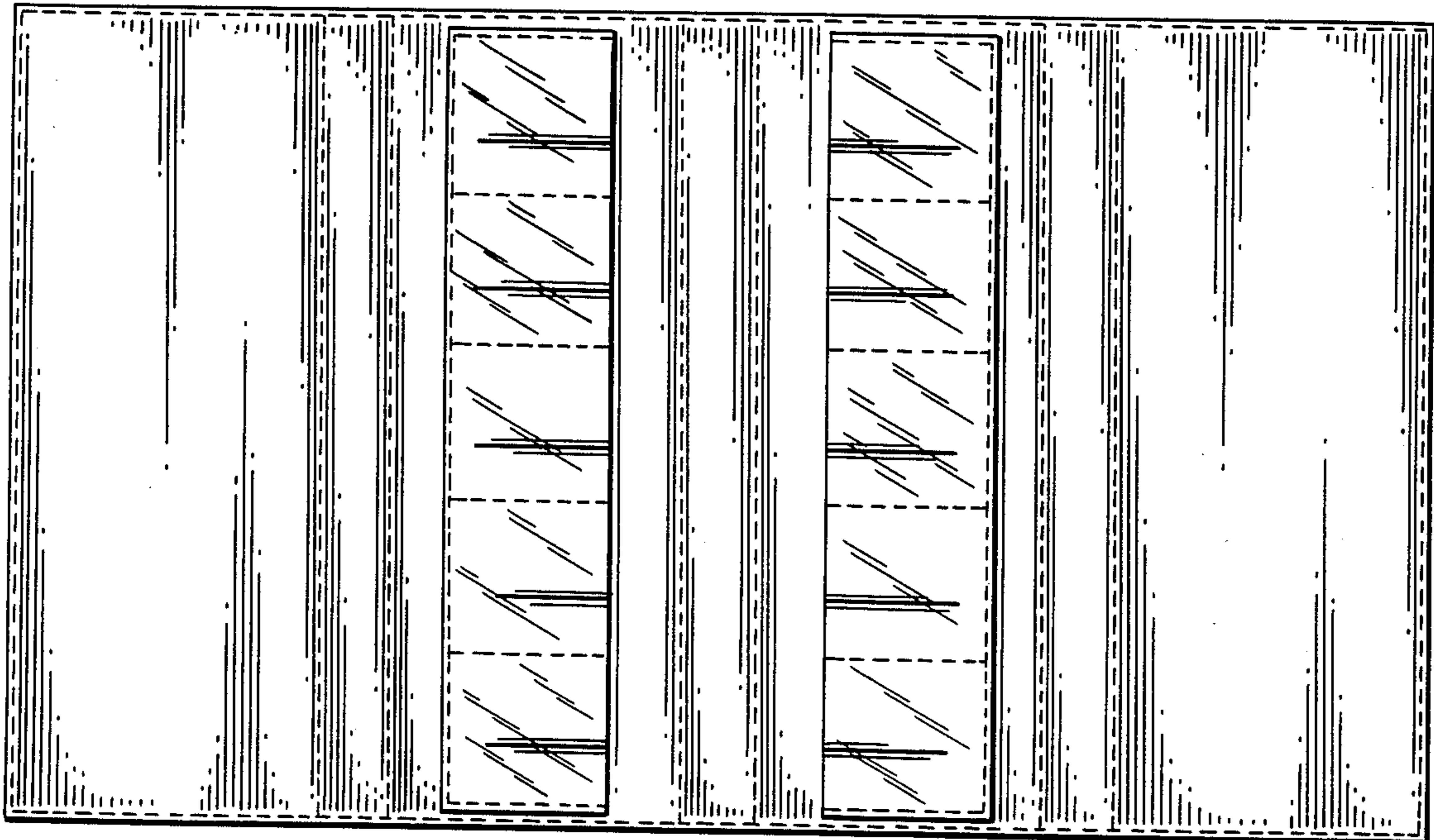


Fig. 18.



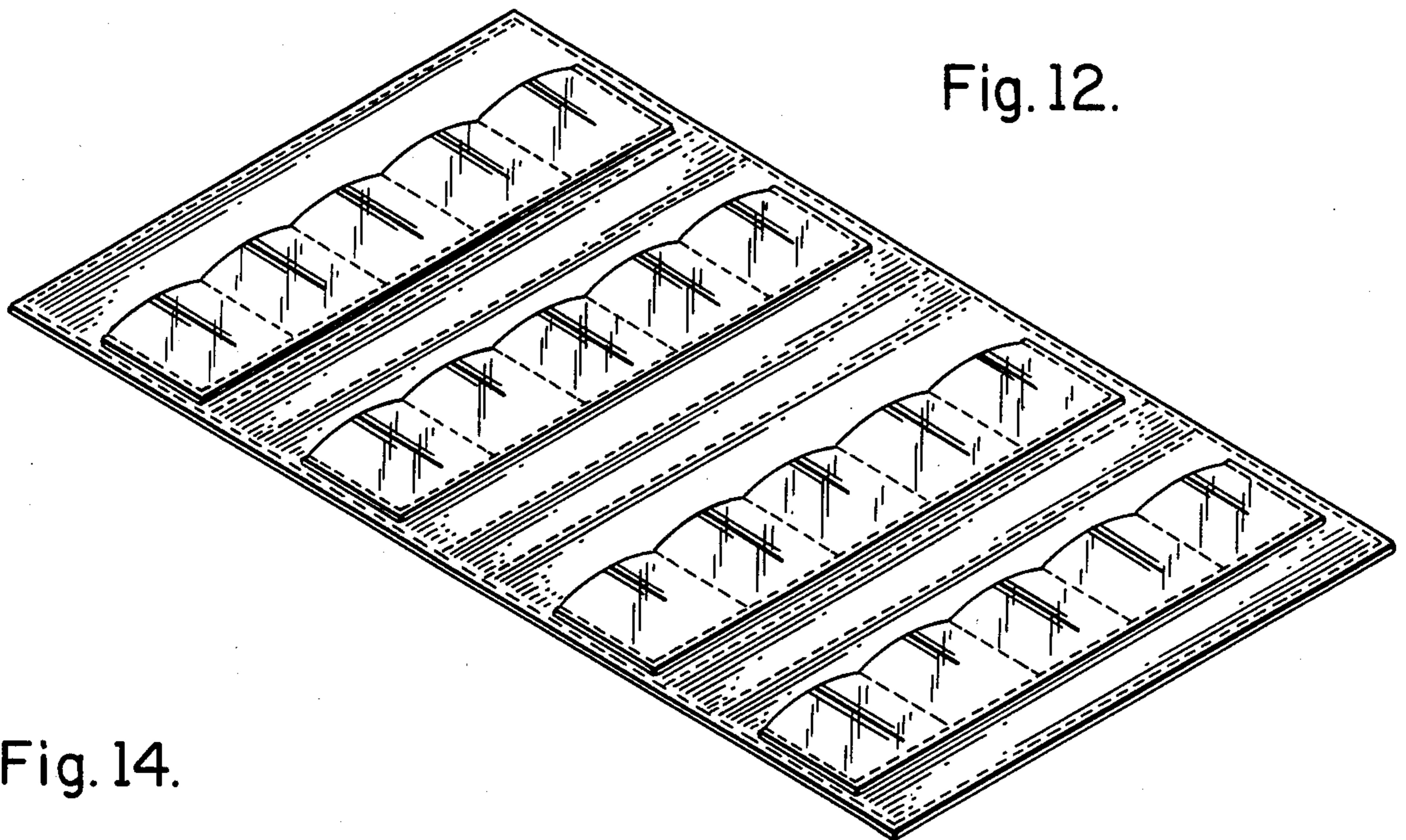


Fig. 12.

Fig. 14.



Fig. 13.

Fig. 16.



Fig. 15.

Fig. 17.

