

[54] **JACK**
[76] **Inventor: Michael Hung, 11th Fl., No. 624, Min Chuan E. Rd., Taipei, Taiwan**
[**] **Term: 14 Years**
[21] **Appl. No.: 771,886**
[22] **Filed: Sep. 3, 1985**
[52] **U.S. Cl. D34/31**
[58] **Field of Search D34/28, 31; 254/8 B, 254/10 B, 2 B, 93 H**

4,635,902 1/1987 Chou D34/31

FOREIGN PATENT DOCUMENTS

2108924 5/1983 United Kingdom 254/93 H

Primary Examiner—Wallace R. Burke
Assistant Examiner—Kay H. Chin
Attorney, Agent, or Firm—Lane & Aitken

[57] **CLAIM**

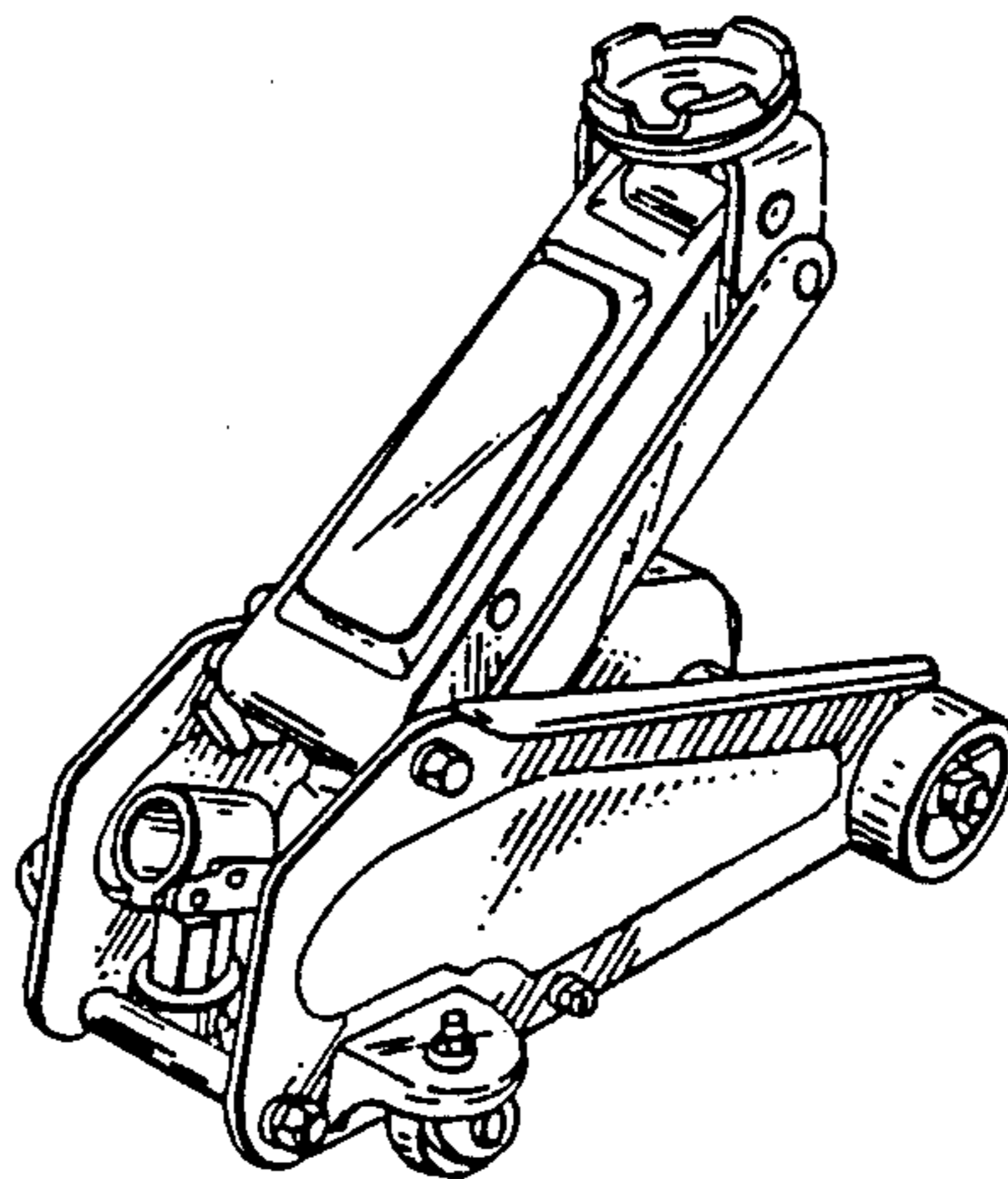
The ornamental design for a jack, as shown.

DESCRIPTION

FIG. 1 is a perspective view of jack showing my new design;
FIG. 2 is a right side elevational view thereof;
FIG. 3 is a left side elevational view thereof;
FIG. 4 is a rear elevational view thereof;
FIG. 5 is a front elevational view thereof;
FIG. 6 is a top plan view thereof; and
FIG. 7 is a bottom plan view thereof.

[56] **References Cited**
U.S. PATENT DOCUMENTS

D. 263,128	2/1982	Glover, Jr. et al.	D34/31
D. 284,417	6/1986	Yamagishi	D34/31
D. 285,855	9/1986	Persson	D34/31
4,018,421	4/1977	Tallman	D34/31
4,277,048	7/1981	Okuda	254/2 B



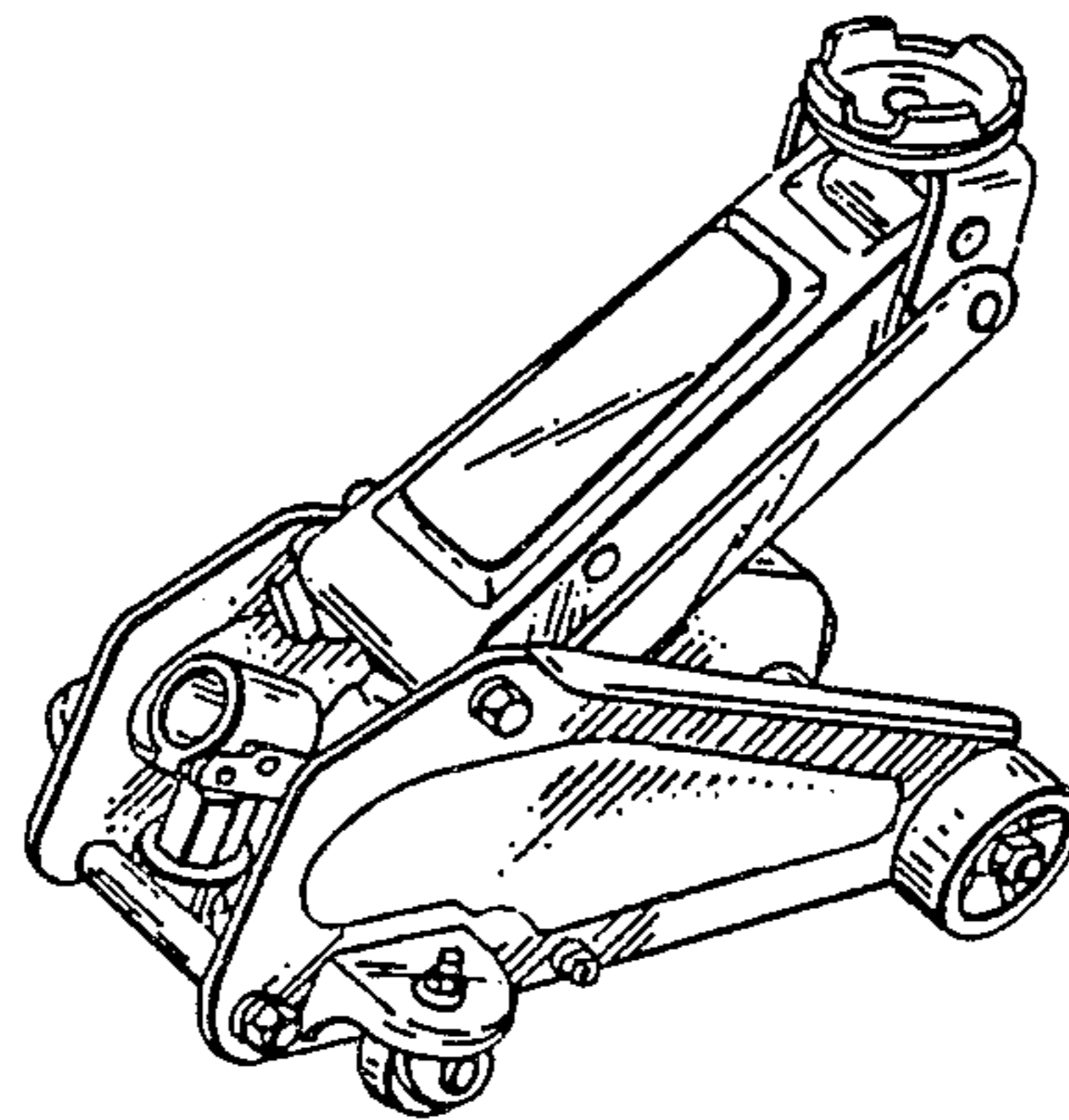


FIG. 1

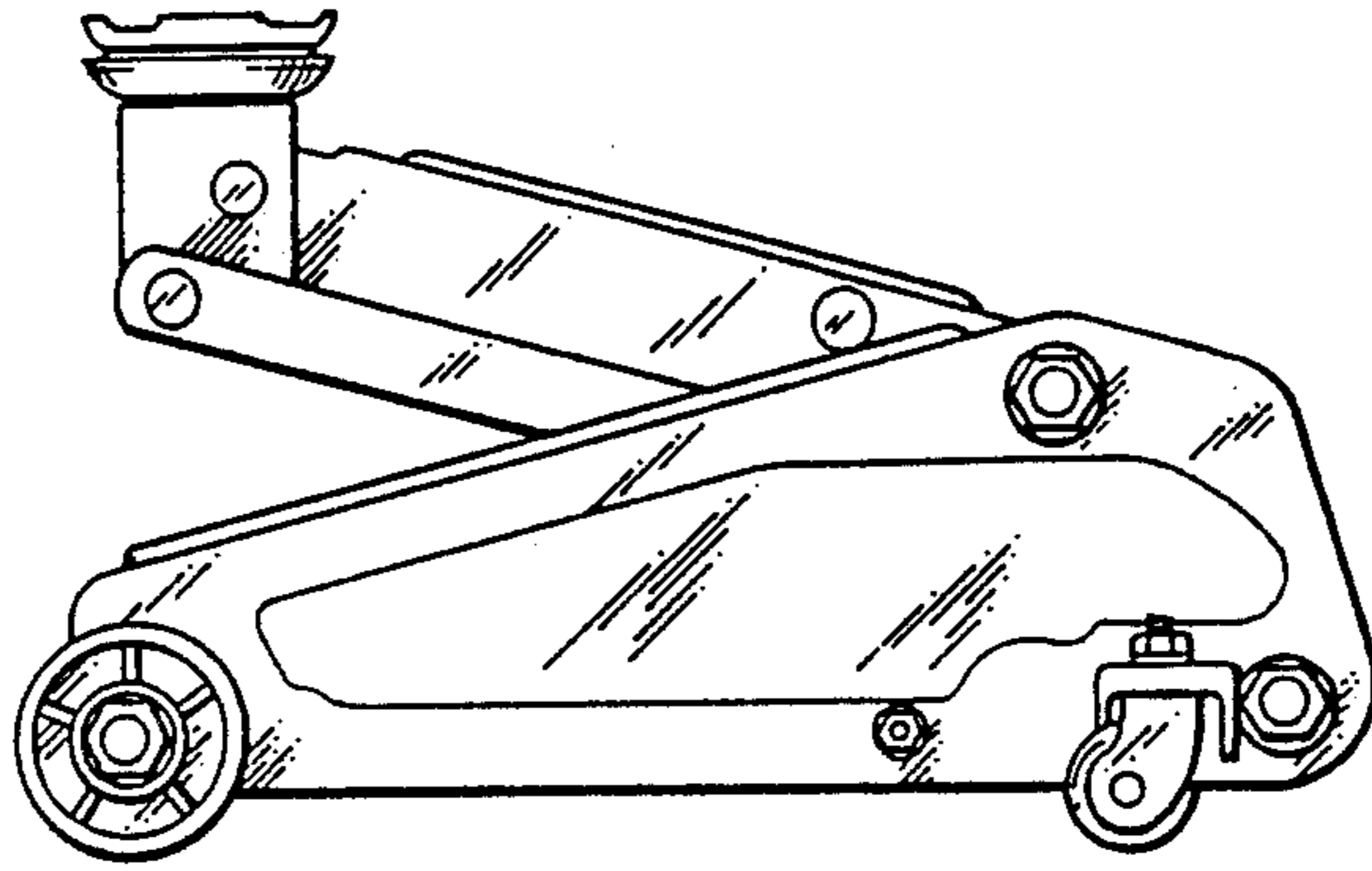


FIG. 2

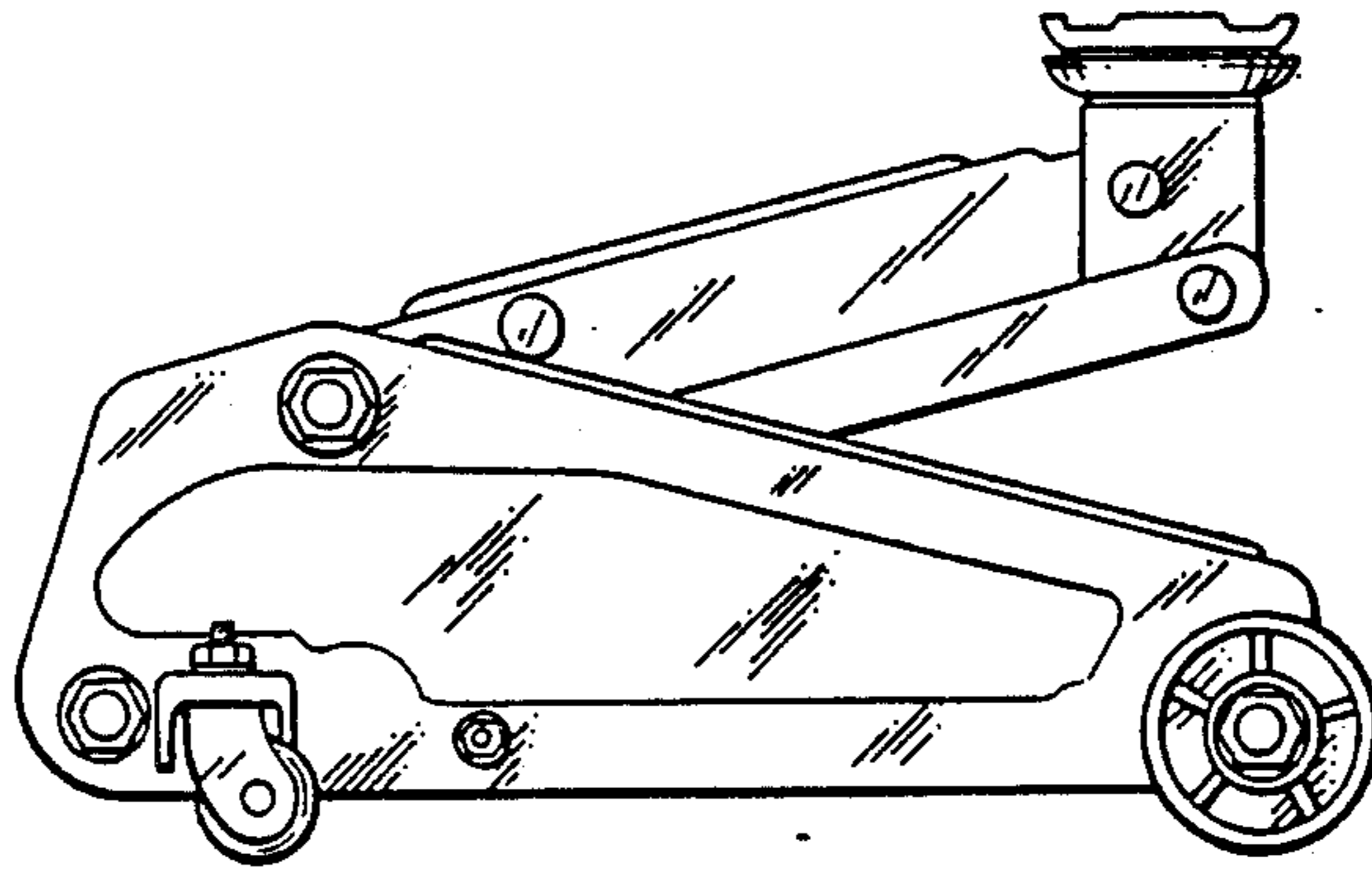


FIG. 3

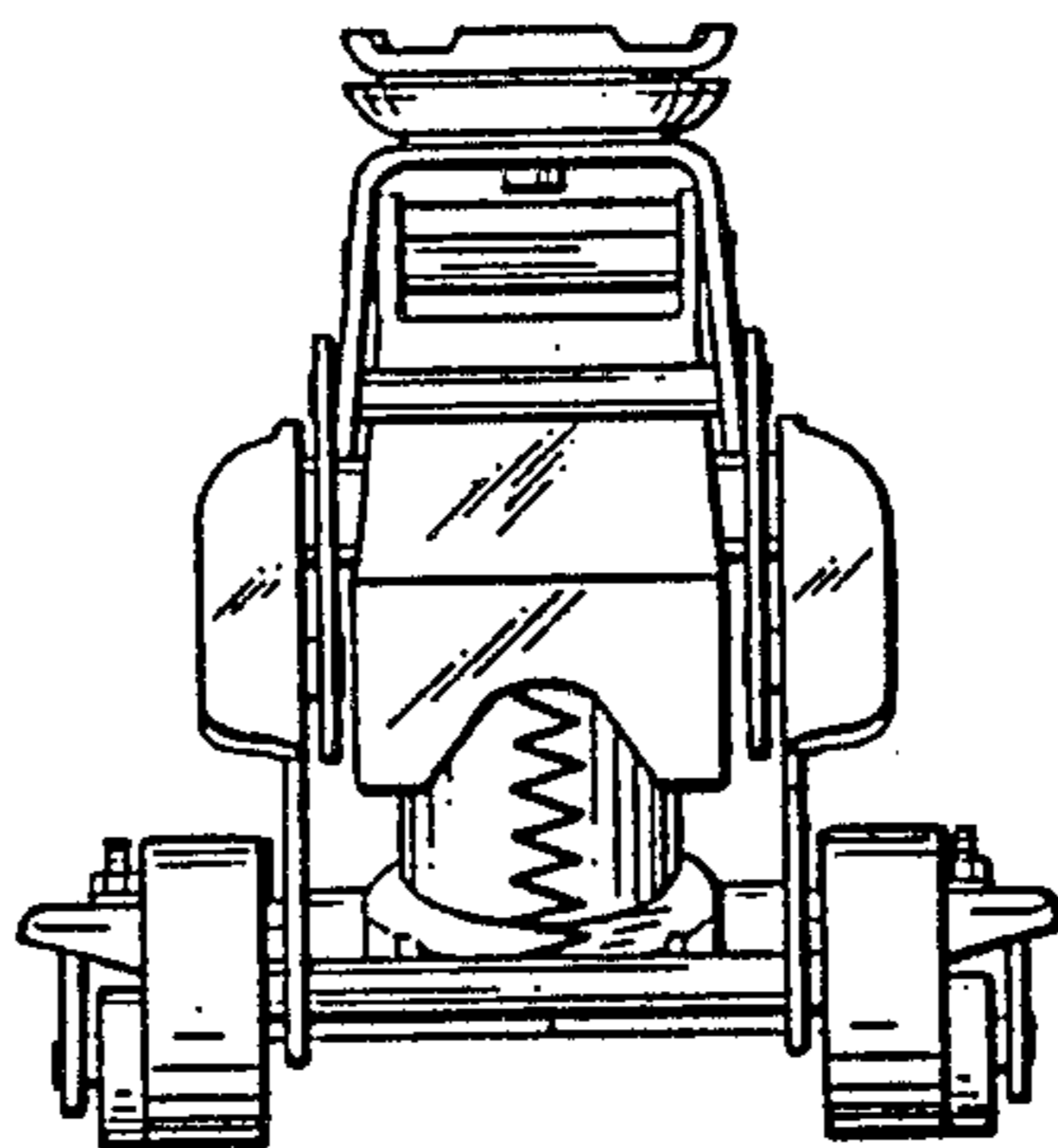


FIG. 4

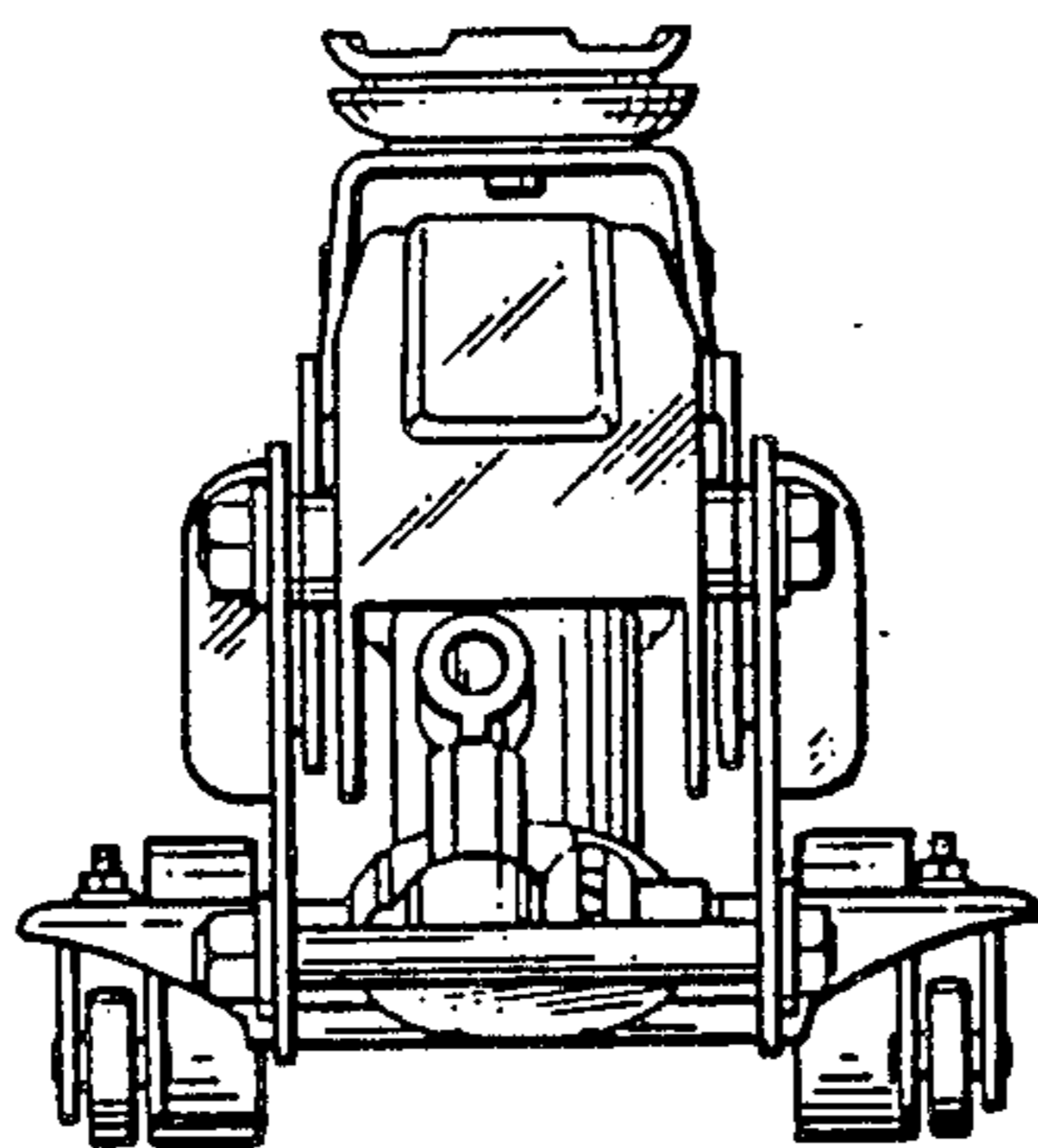


FIG. 5

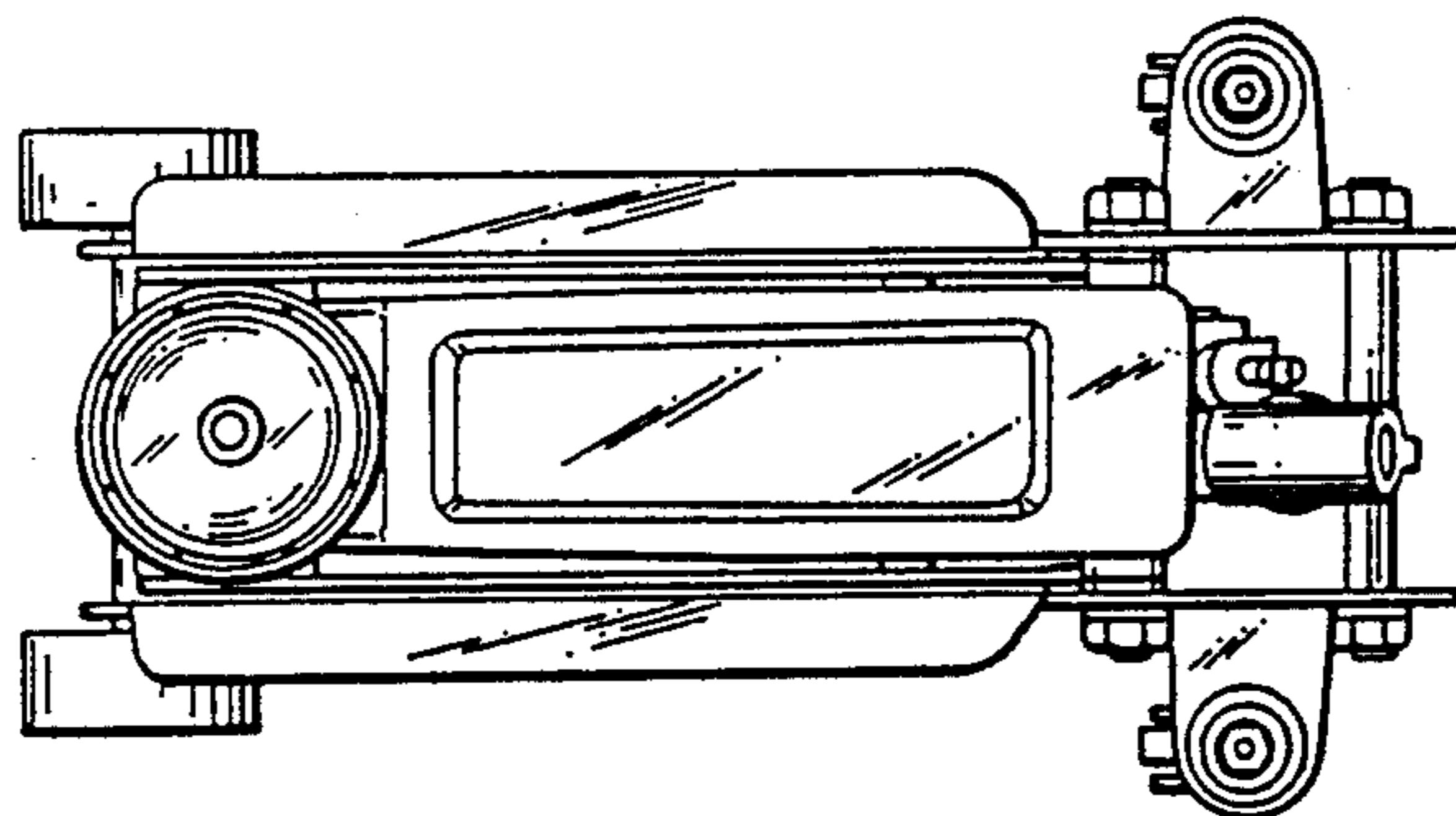


FIG. 6

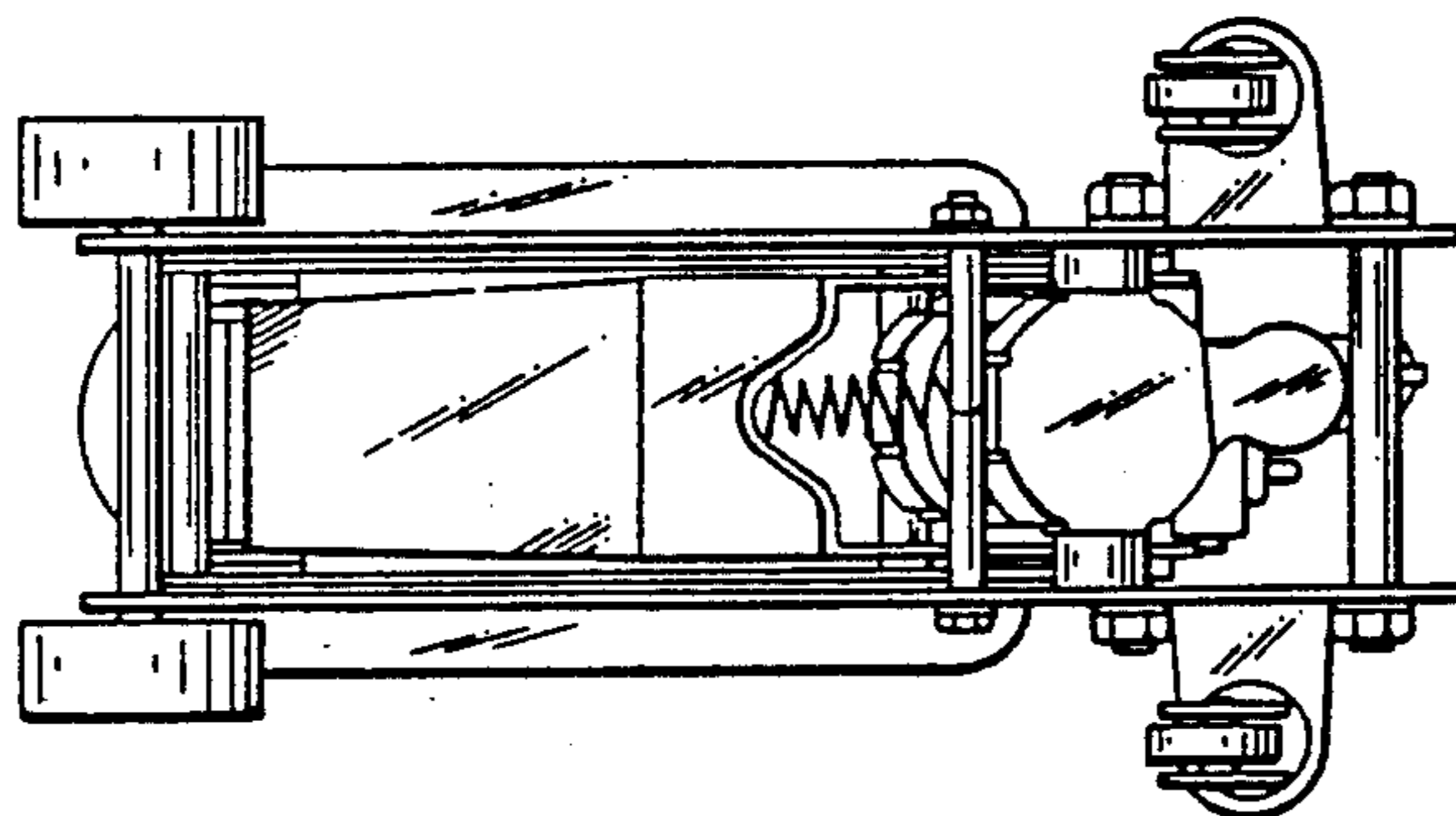


FIG. 7