

[54] TRACTION SUPPORT STAND

[76] Inventor: George W. Cottrell, 1060 SW. Skyline, Portland, Oreg. 97221

[**] Term: 14 Years

[21] Appl. No.: 813,122

[22] Filed: Dec. 24, 1985

[52] U.S. Cl. D24/3; D21/191; D24/36

[58] Field of Search D24/3, 36, 64; 128/75, 128/69, 71, 84 R; 272/120, 121, 142; D21/191, 195

[56] References Cited

U.S. PATENT DOCUMENTS

- 3,986,499 10/1976 Fischer 128/71
- 4,362,151 12/1982 Cottrell 128/75
- 4,602,619 7/1986 Wolf et al. 128/69 X

- 4,627,423 12/1986 Kampner 128/75
- 4,664,101 5/1987 Granberg 128/71 X

Primary Examiner—A. Hugo Word
Assistant Examiner—Stella M. Reid
Attorney, Agent, or Firm—Chernoff, Vilhauer, McClung & Stenzel

[57] CLAIM

The ornamental design for a traction support stand, as shown and described.

DESCRIPTION

FIG. 1 is a perspective view of a traction support stand showing my new design;
FIG. 2 is a side elevational view thereof, the opposite side being a mirror image;
FIG. 3 is a top plan view thereof;
FIG. 4 is a bottom plan view thereof;
FIG. 5 is a front elevational view thereof; and
FIG. 6 is a rear elevational view thereof.

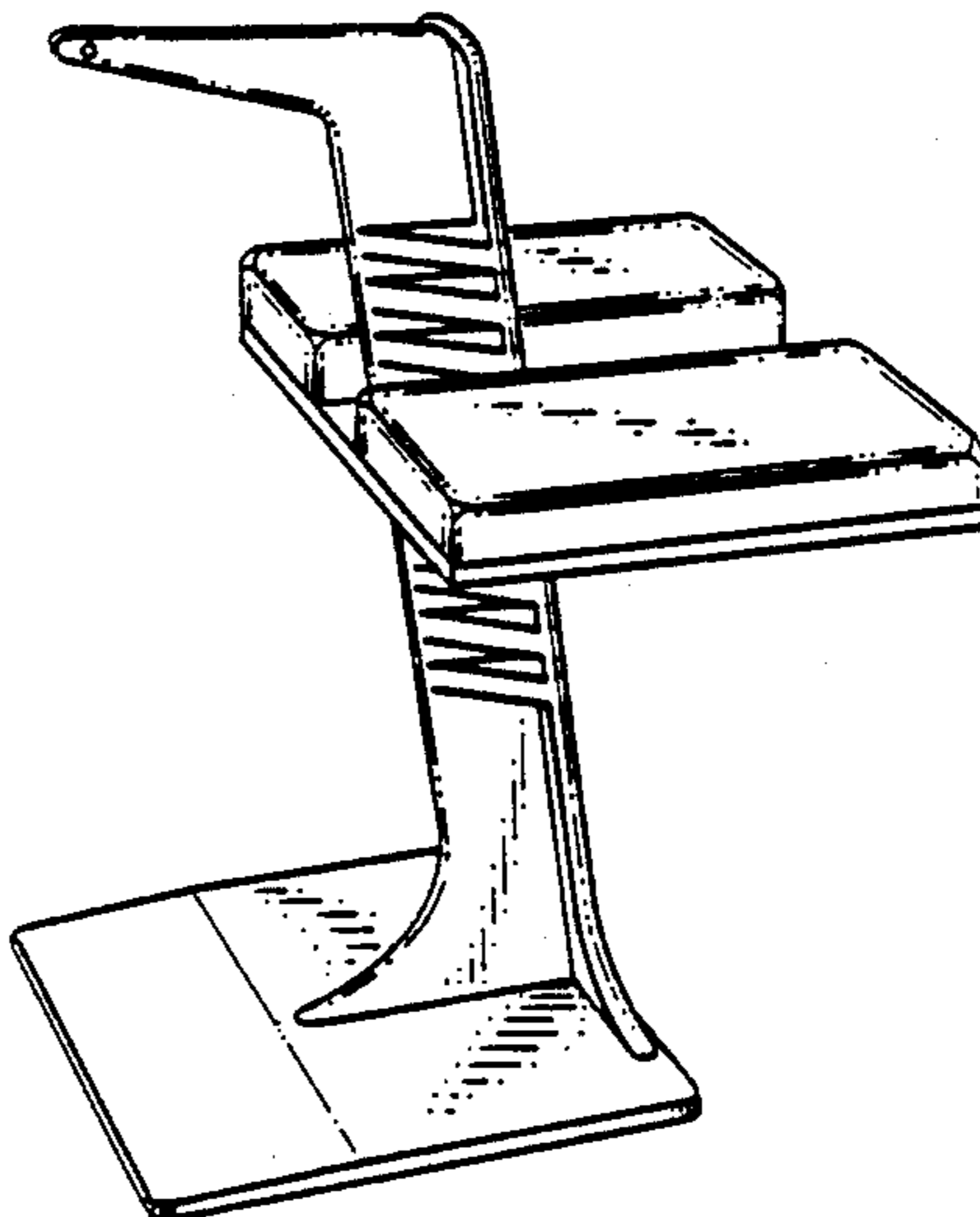


FIG. 1

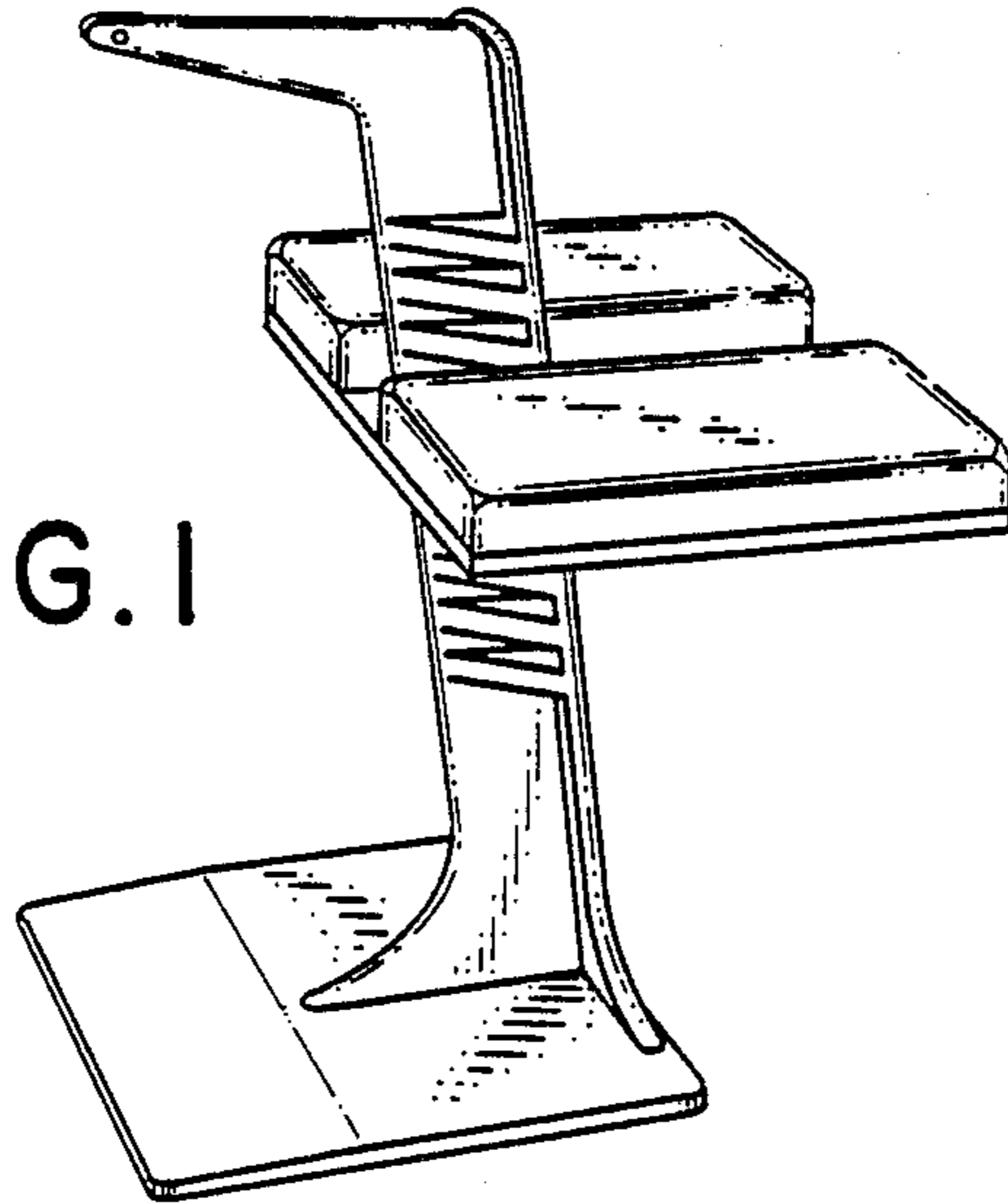


FIG. 2

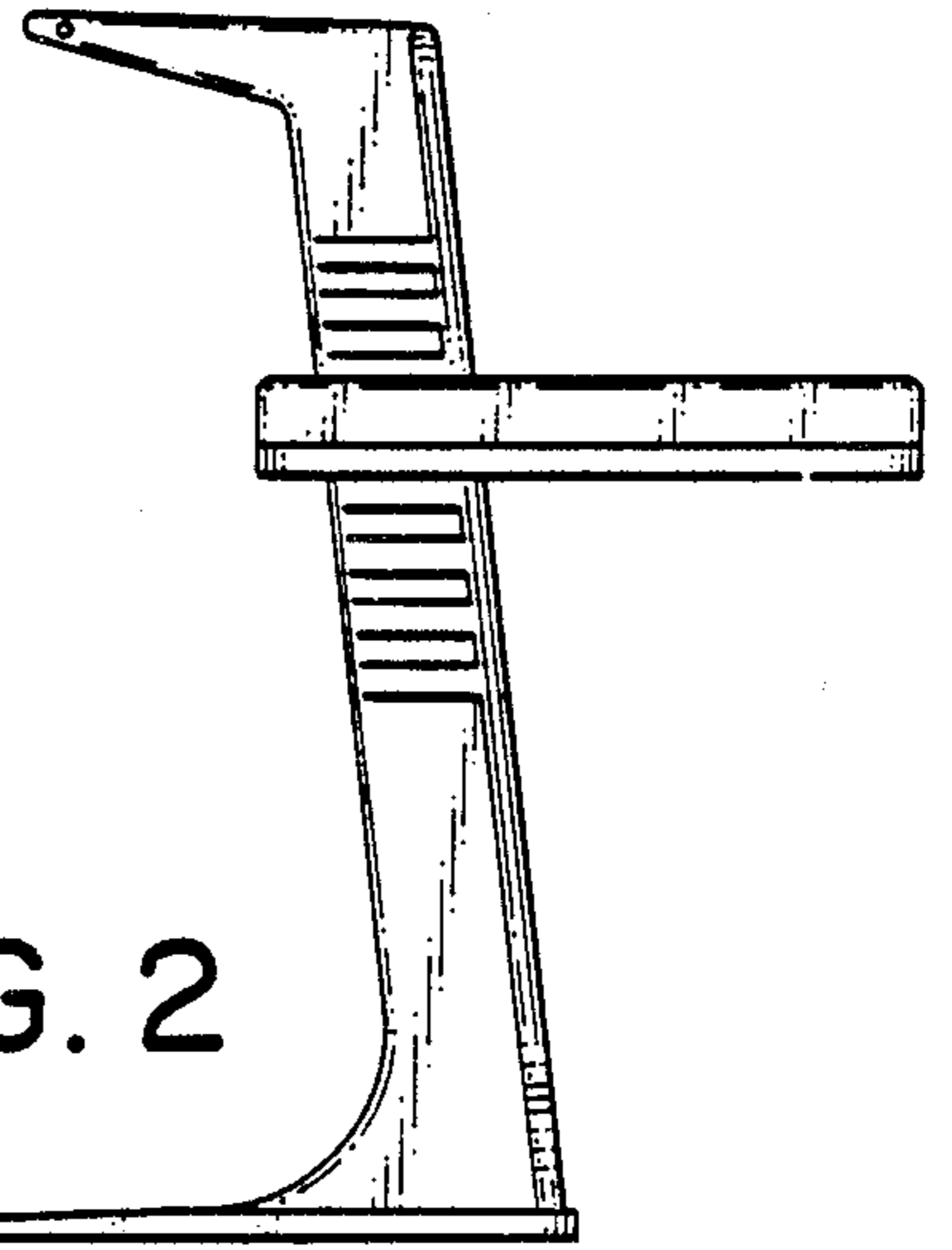


FIG. 5

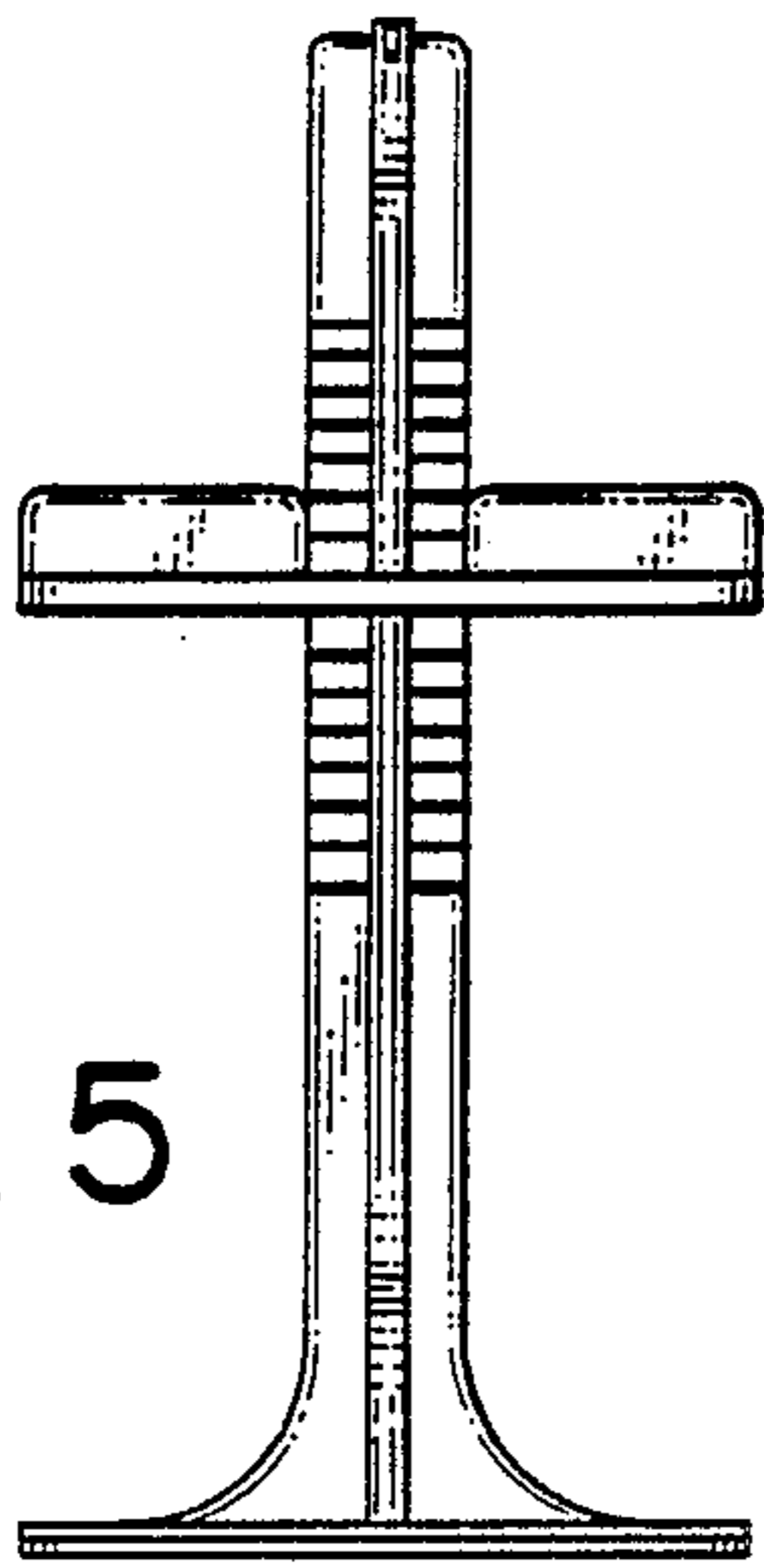


FIG. 3

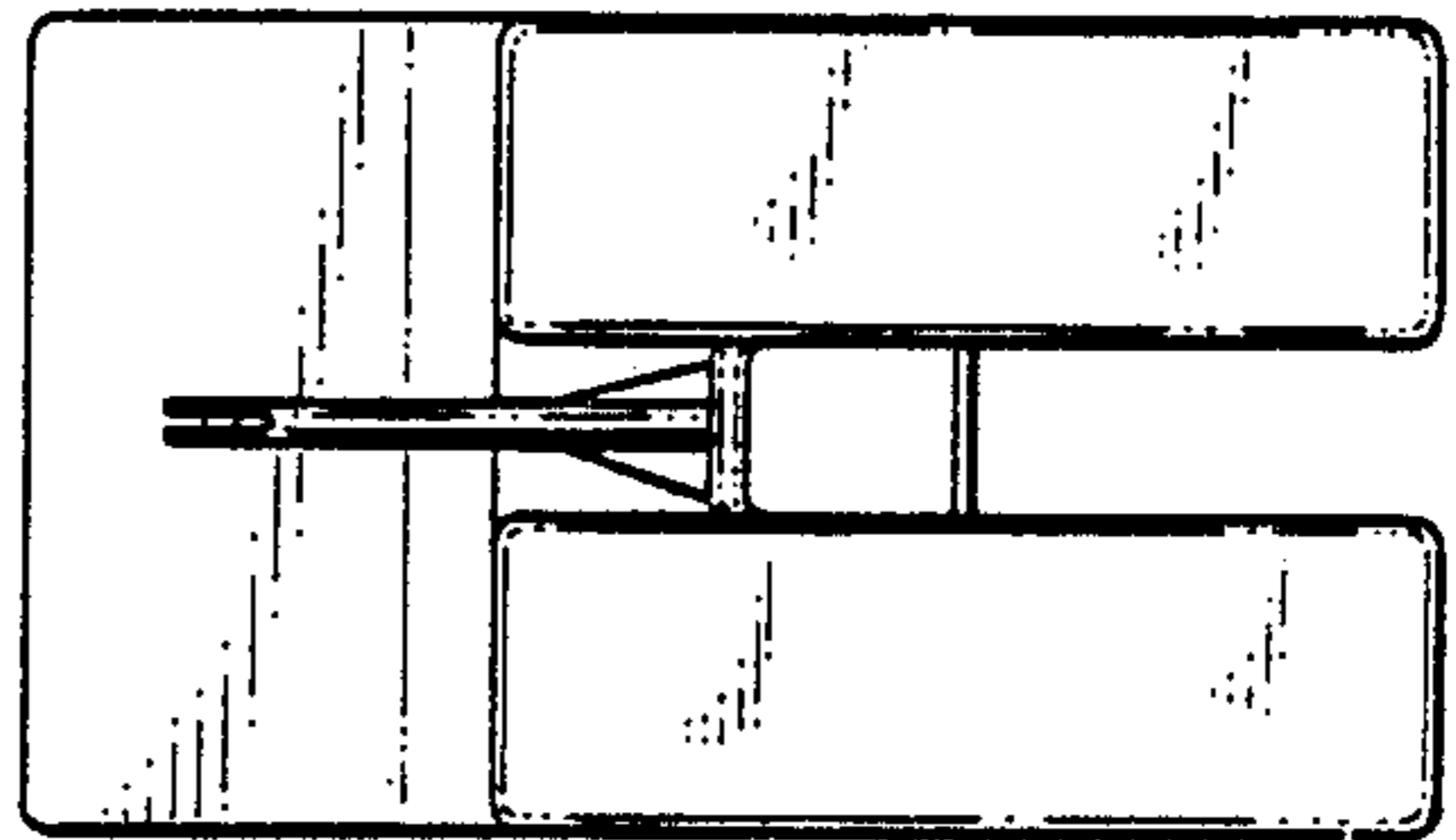


FIG. 6

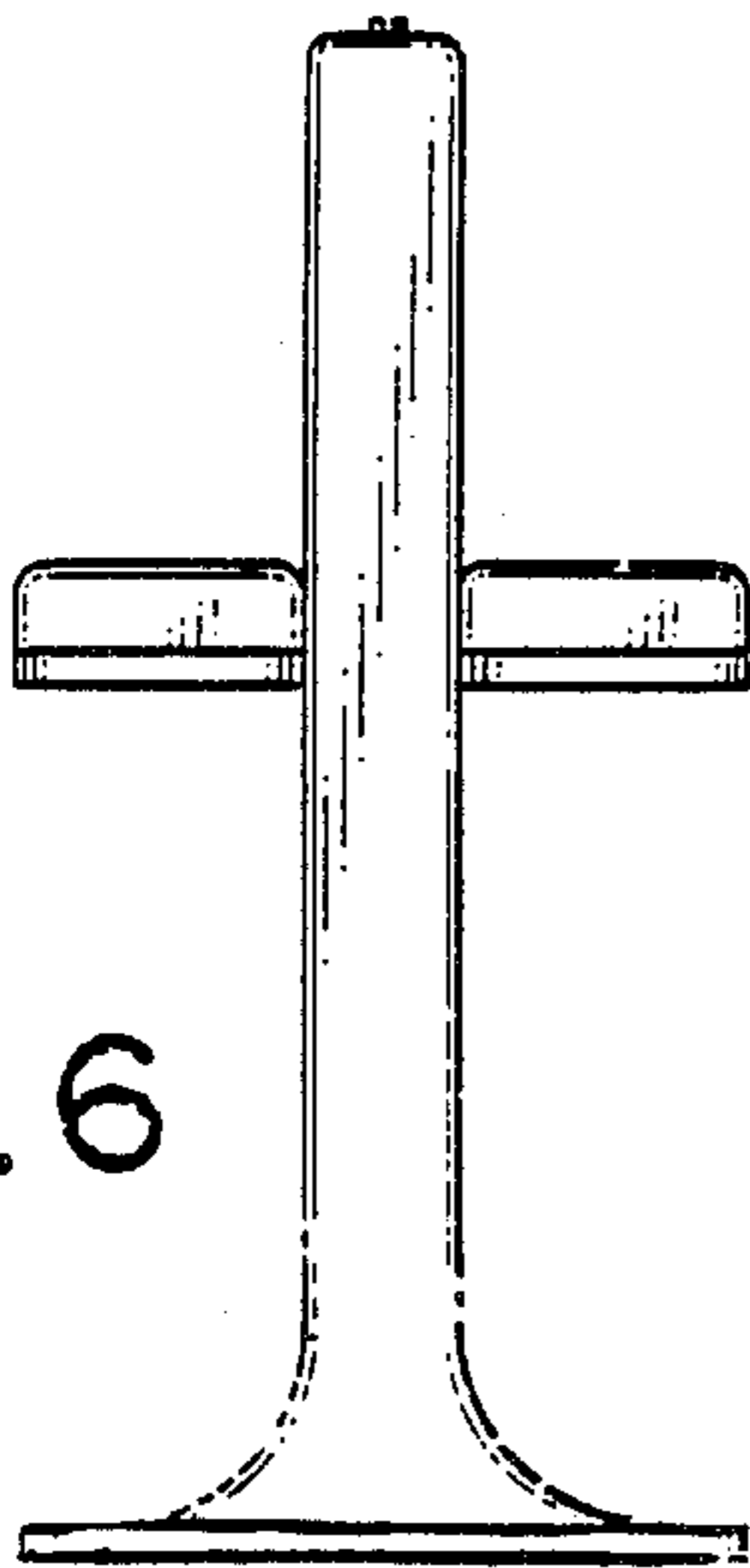


FIG. 4

