

[54] LOG CARRYING RACK

[76] Inventor: Eugene R. Thompson, P.O. Box 10,  
Lone Rock, Iowa 50559

[\*\*] Term: 14 Years

[21] Appl. No.: 752,827

[22] Filed: Jul. 8, 1985

[52] U.S. Cl. .... D23/410; D8/14

[58] Field of Search ..... D23/410; D8/14; D34/12,  
D34/17, 24, 26; 280/47; 211/60

[56] References Cited

U.S. PATENT DOCUMENTS

- D. 174,321 3/1955 Haynes, Sr. .... D34/24
- D. 184,752 3/1959 McVey ..... D23/410
- D. 225,638 12/1972 Christianson ..... D23/410
- D. 264,572 5/1982 Lowry ..... D34/26

- D. 266,368 9/1982 Flanders ..... D34/24 X
- D. 266,708 10/1982 Jean ..... D34/24
- D. 289,367 4/1987 Secor ..... D8/14 X

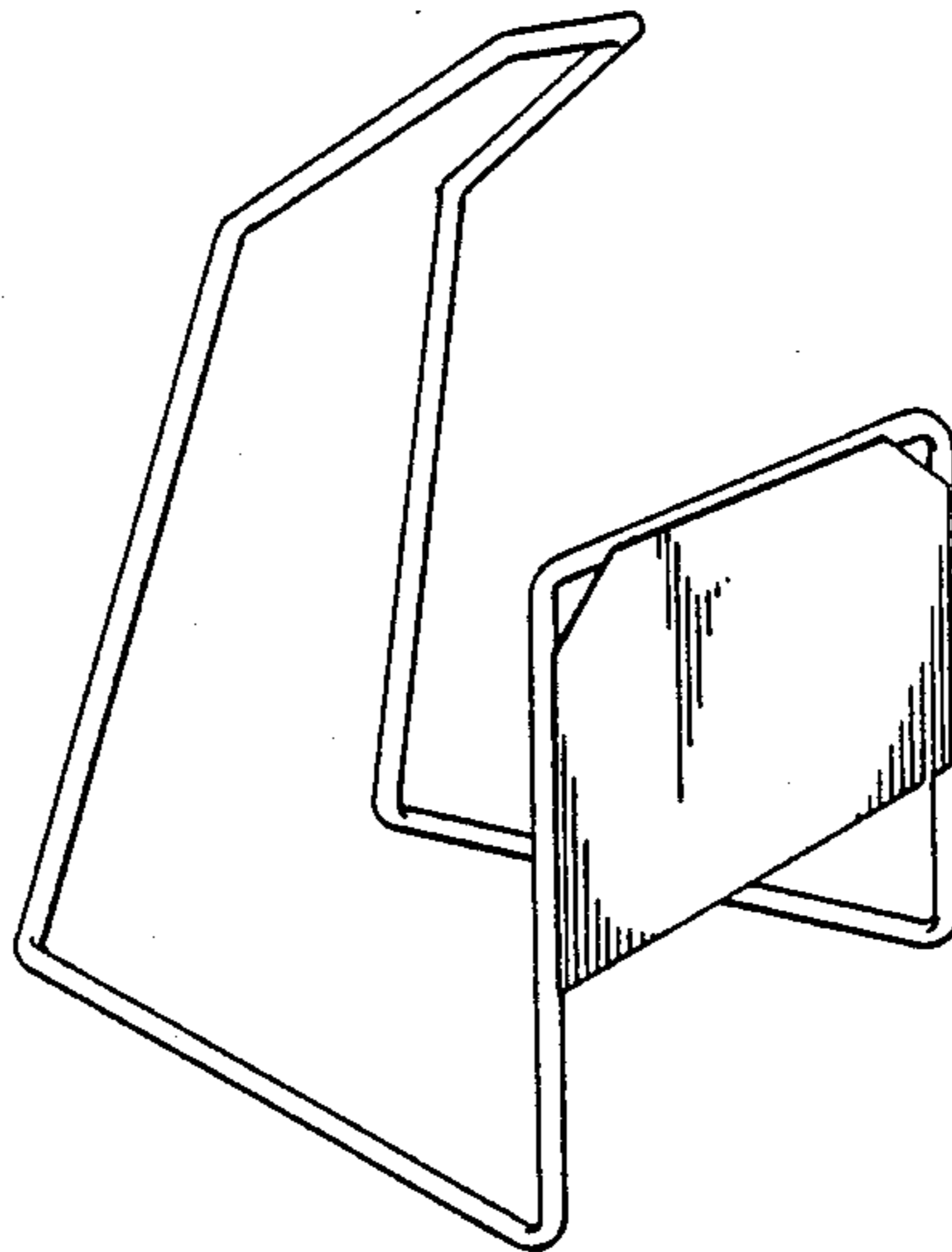
Primary Examiner—Catherine E. Kemper  
Attorney, Agent, or Firm—Zarley McKee, Thomte,  
Voorhees & Sease

[57] CLAIM

The ornamental design for a log carrying rack, as shown.

DESCRIPTION

FIG. 1 is a perspective view of a log carrying rack, showing my new design;  
FIG. 2 is a side elevational view thereof;  
FIG. 3 is a front elevational view thereof;  
FIG. 4 is a top plan view thereof;  
FIG. 5 is a rear elevational view thereof.



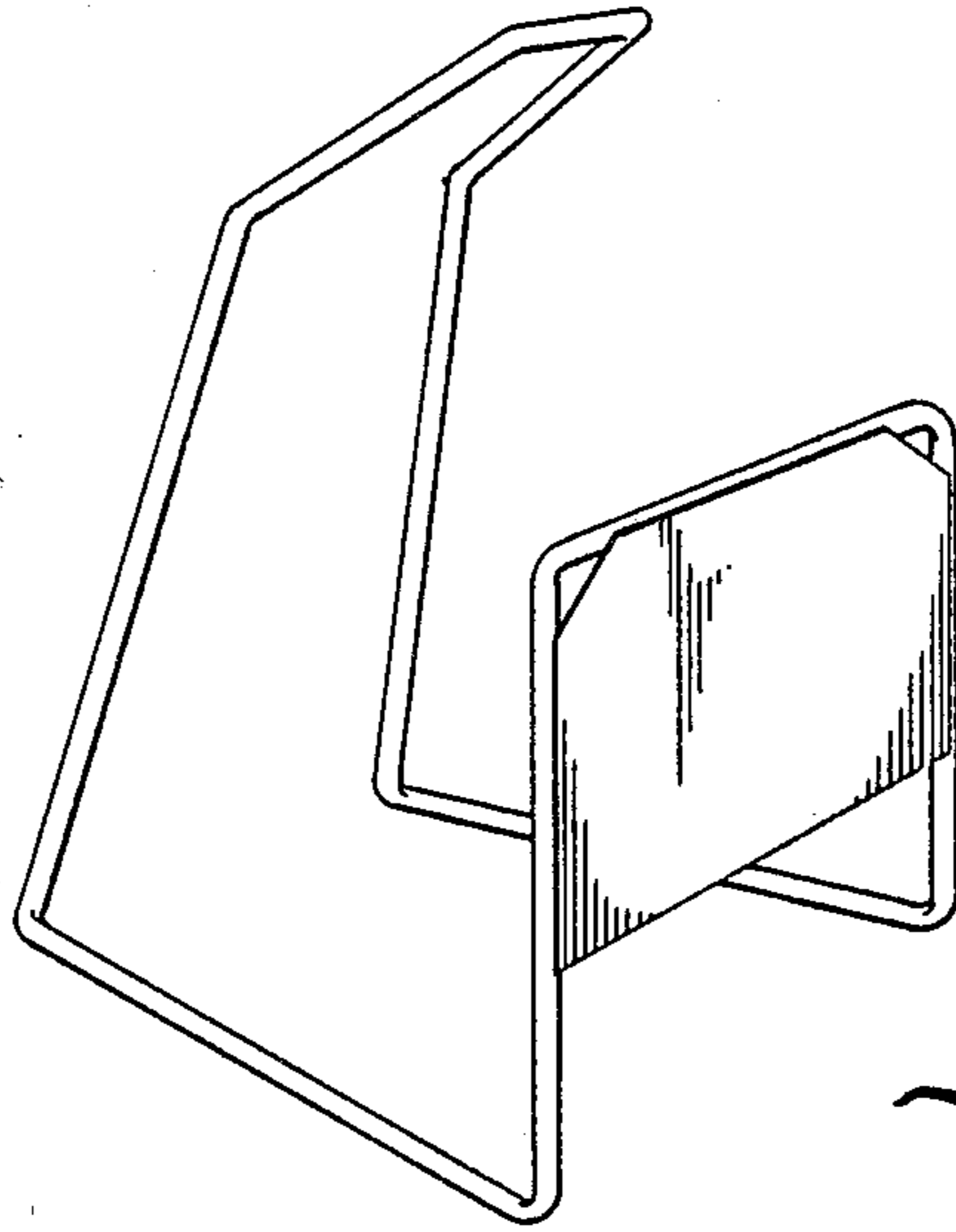


Fig. 1

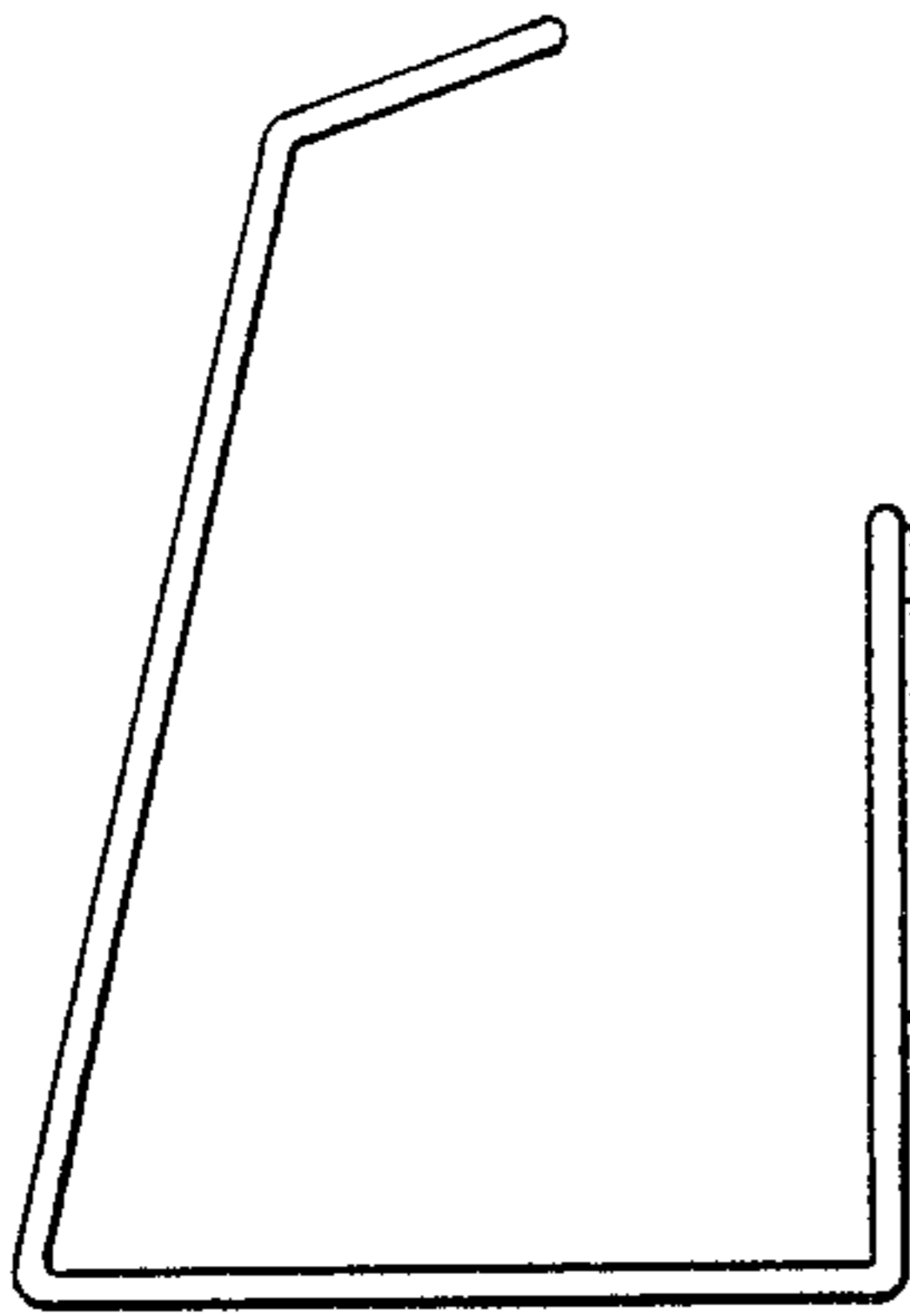


Fig. 2

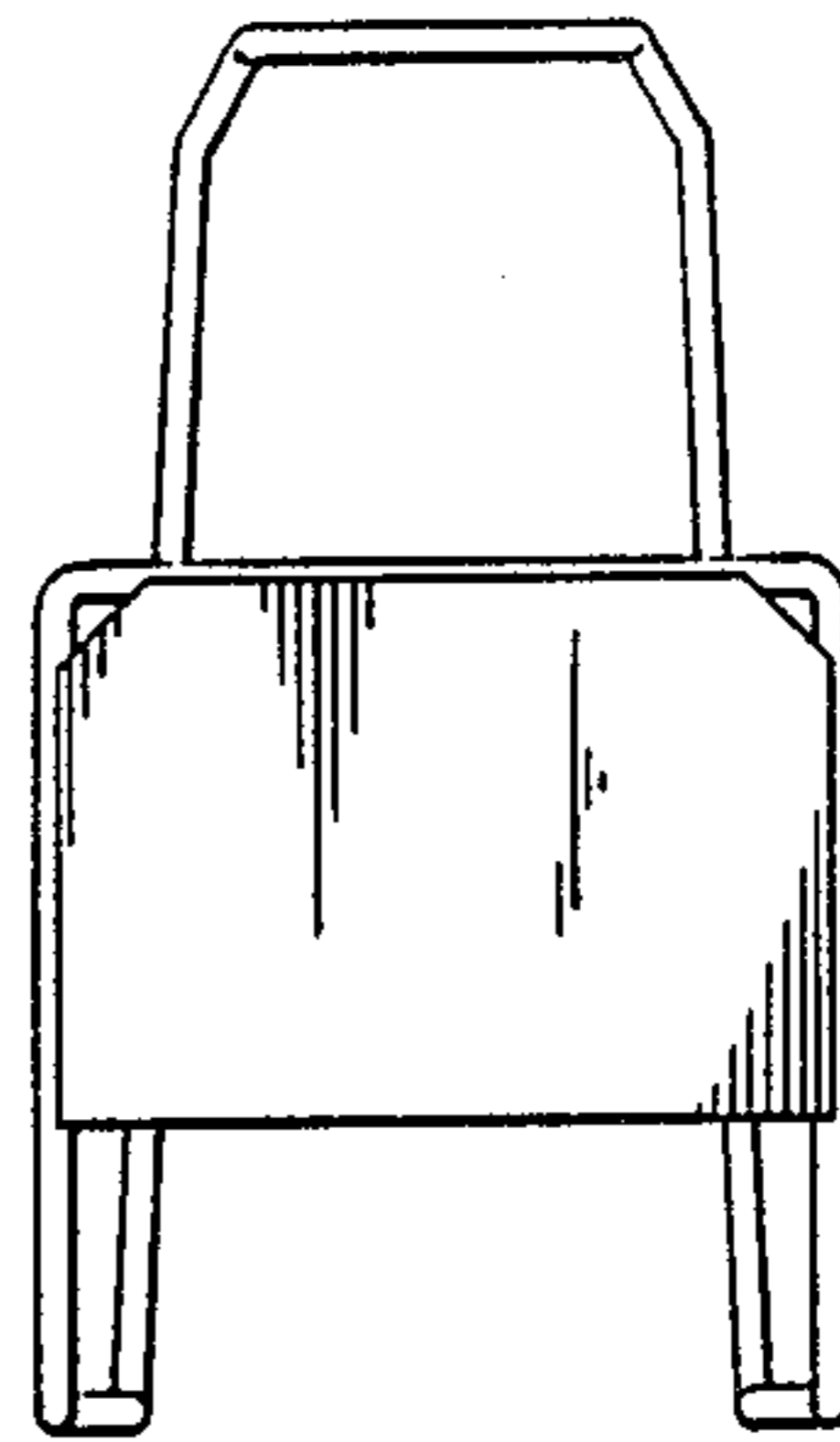


Fig. 3

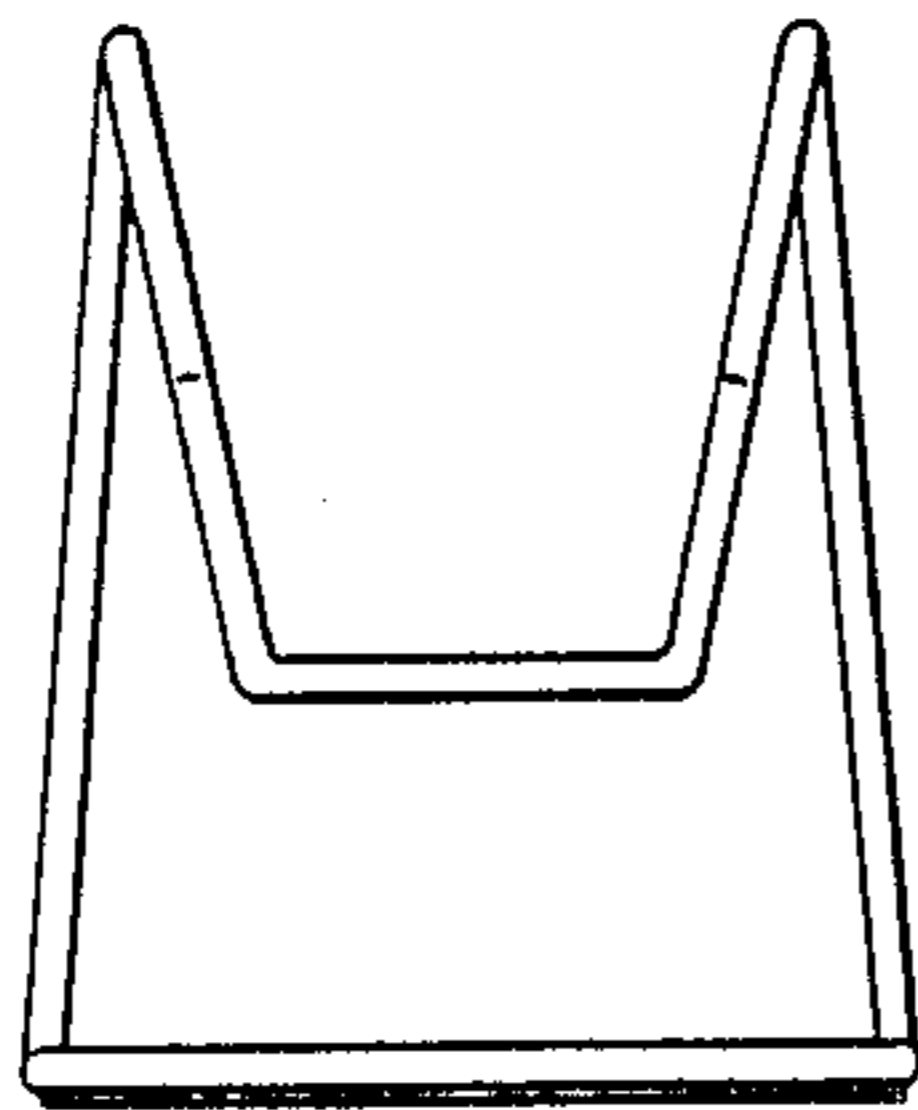


Fig. 4

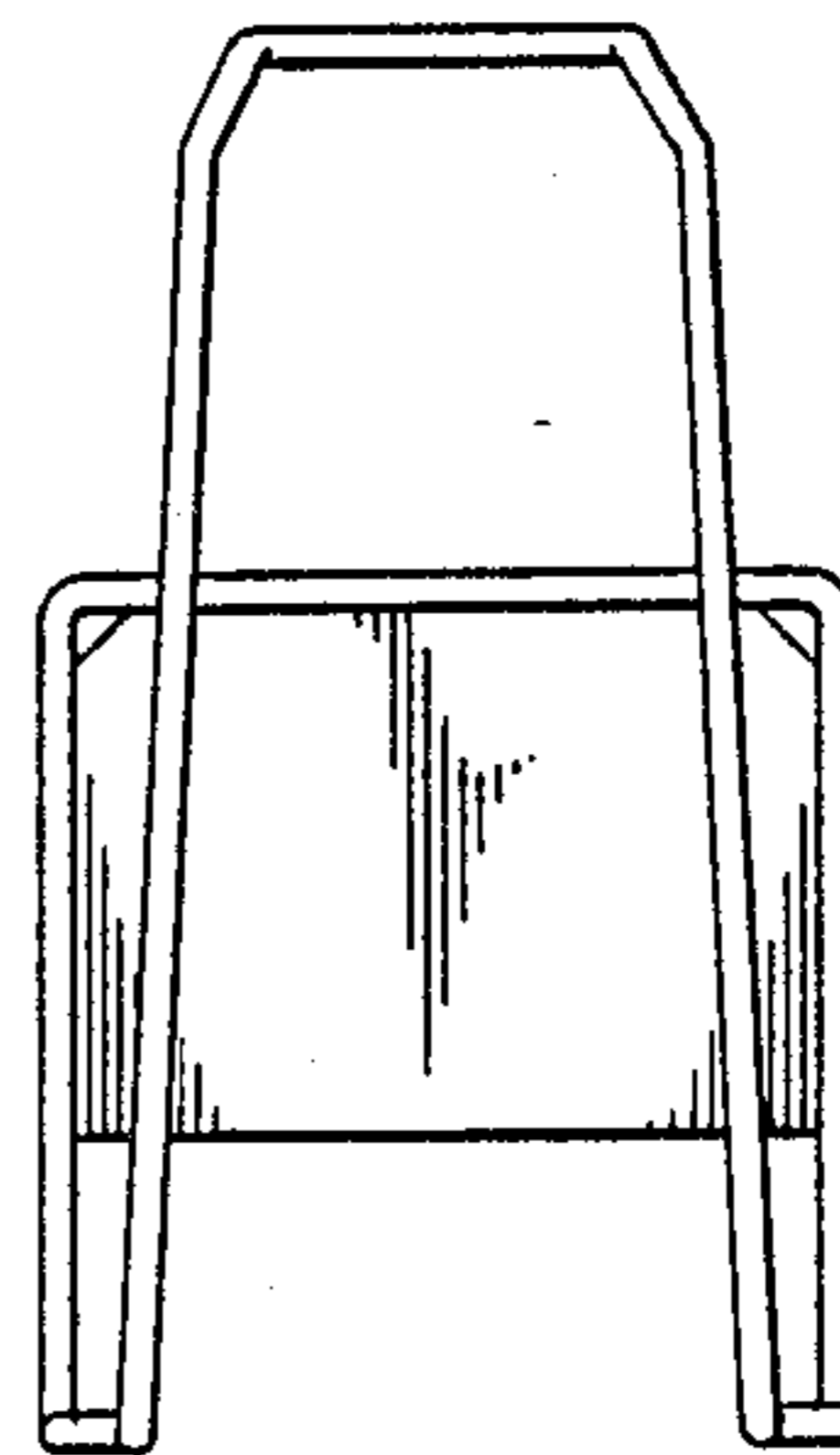


Fig. 5