

[54] COMPUTER COOLING FAN

[76] Inventor: Douglas A. Dodson, 31510 Ararat, Bonsall, Calif. 92003

[**] Term: 14 Years

[21] Appl. No.: 773,202

[22] Filed: Sep. 6, 1985

[52] U.S. Cl. D23/370; D14/114

[58] Field of Search D14/114; D23/370; 361/383, 384; 416/63; 417/360; 165/47, 104.33

[56] References Cited

U.S. PATENT DOCUMENTS

D. 268,283	3/1983	Hicks	D14/114	X
D. 275,787	10/1984	Rapp et al.	D23/370	
4,237,521	12/1980	Denker	361/384	
4,685,303	8/1987	Branc et al.	361/384	X
4,702,154	10/1987	Dodson	361/384	X

OTHER PUBLICATIONS

IBM Technical Disclosure Bulletin, vol. 22, No. 6, 11-1979, D. H. Kekas et al., snap-together cooling fan assembly.

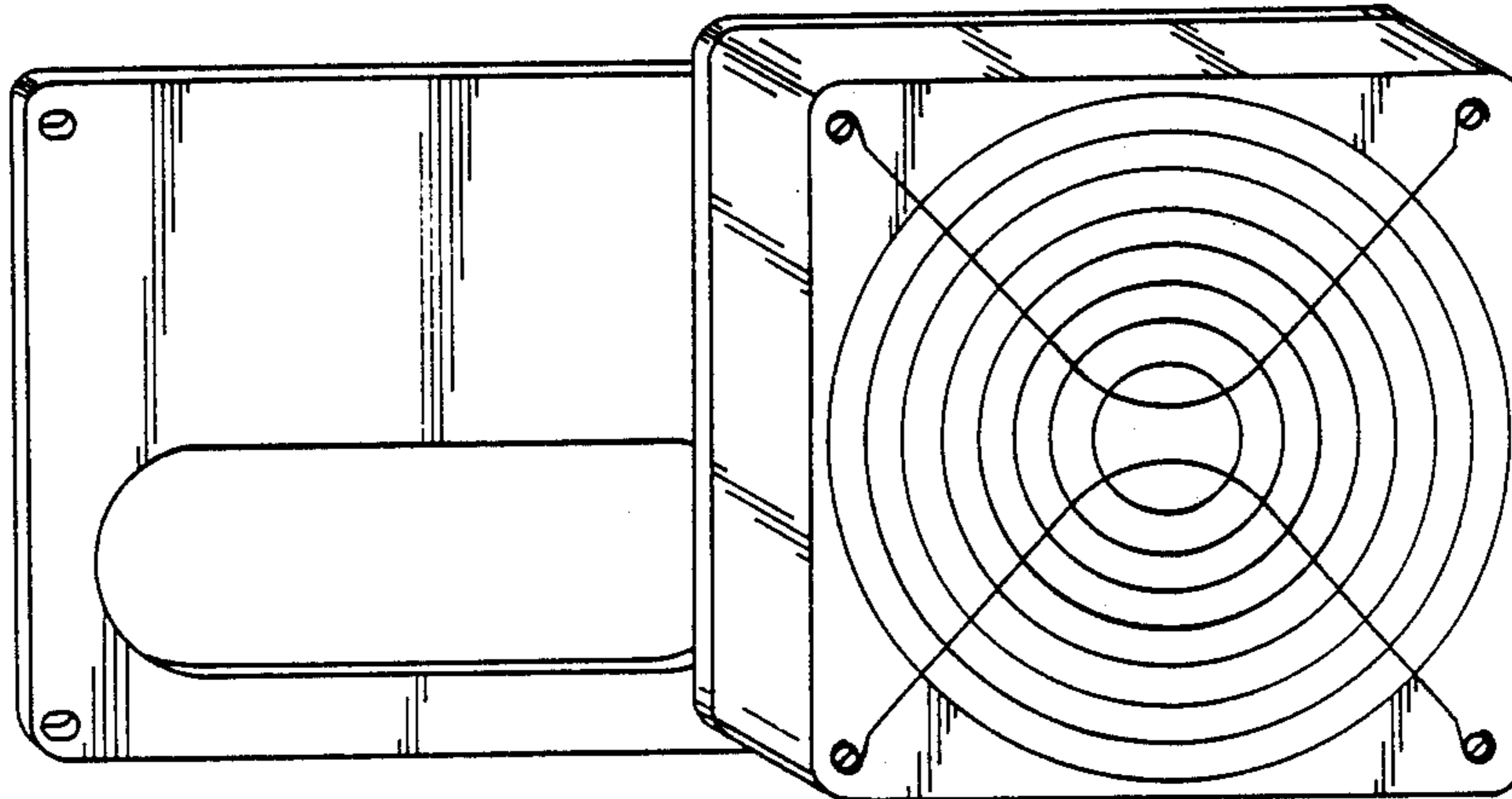
Primary Examiner—Susan J. Lucas
Attorney, Agent, or Firm—Duane C. Bowen

[57] CLAIM

The ornamental design for a computer cooling fan, as shown and described.

DESCRIPTION

FIG. 1 is a top, front perspective view of the computer cooling fan showing my new design;
FIG. 2 is a rear elevational view thereof;
FIG. 3 is a bottom plan view thereof, the top being a mirror image;
FIG. 4 is a side elevational view thereof, as seen from the right of FIG. 1.



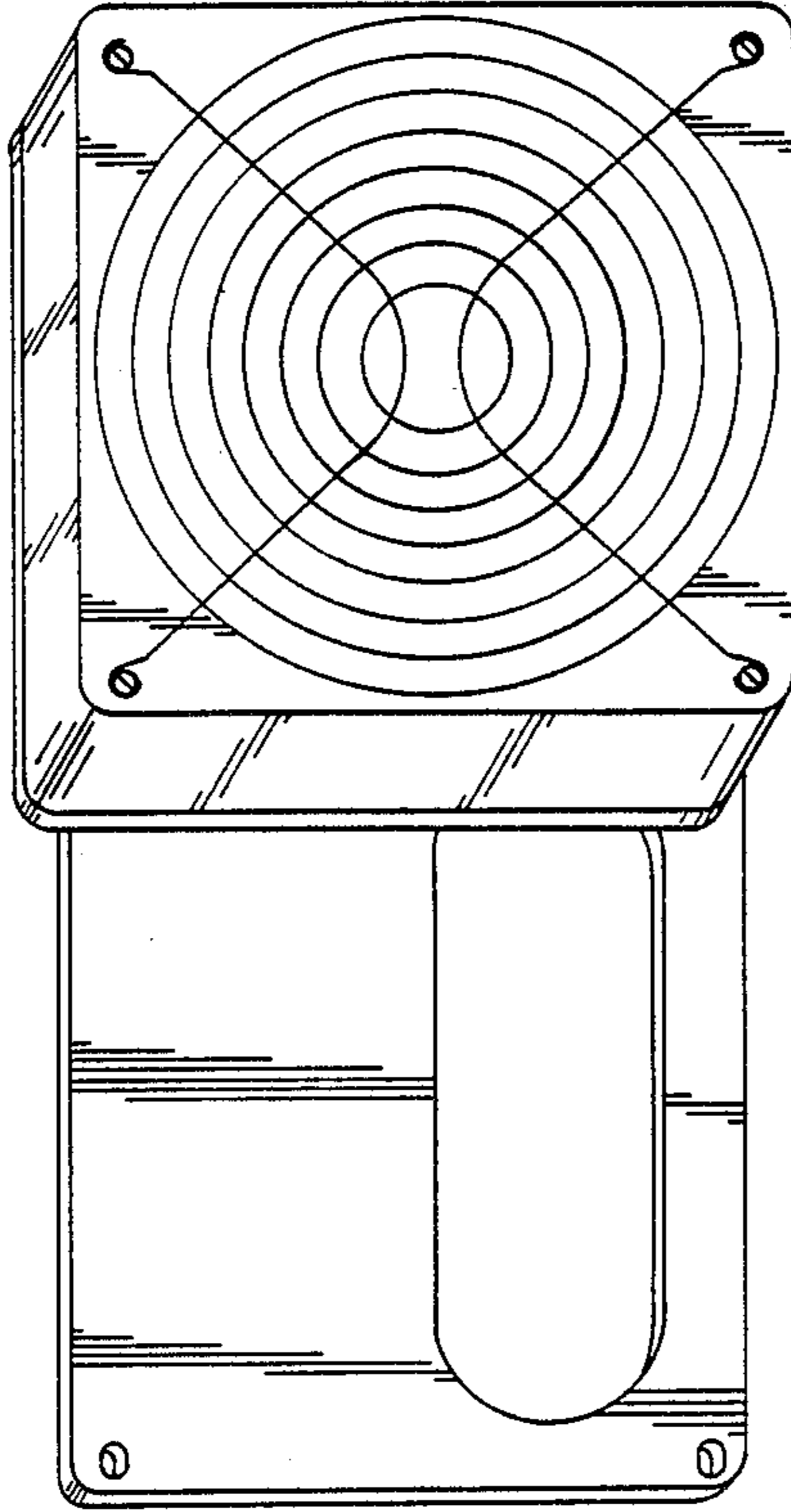


FIG. 1

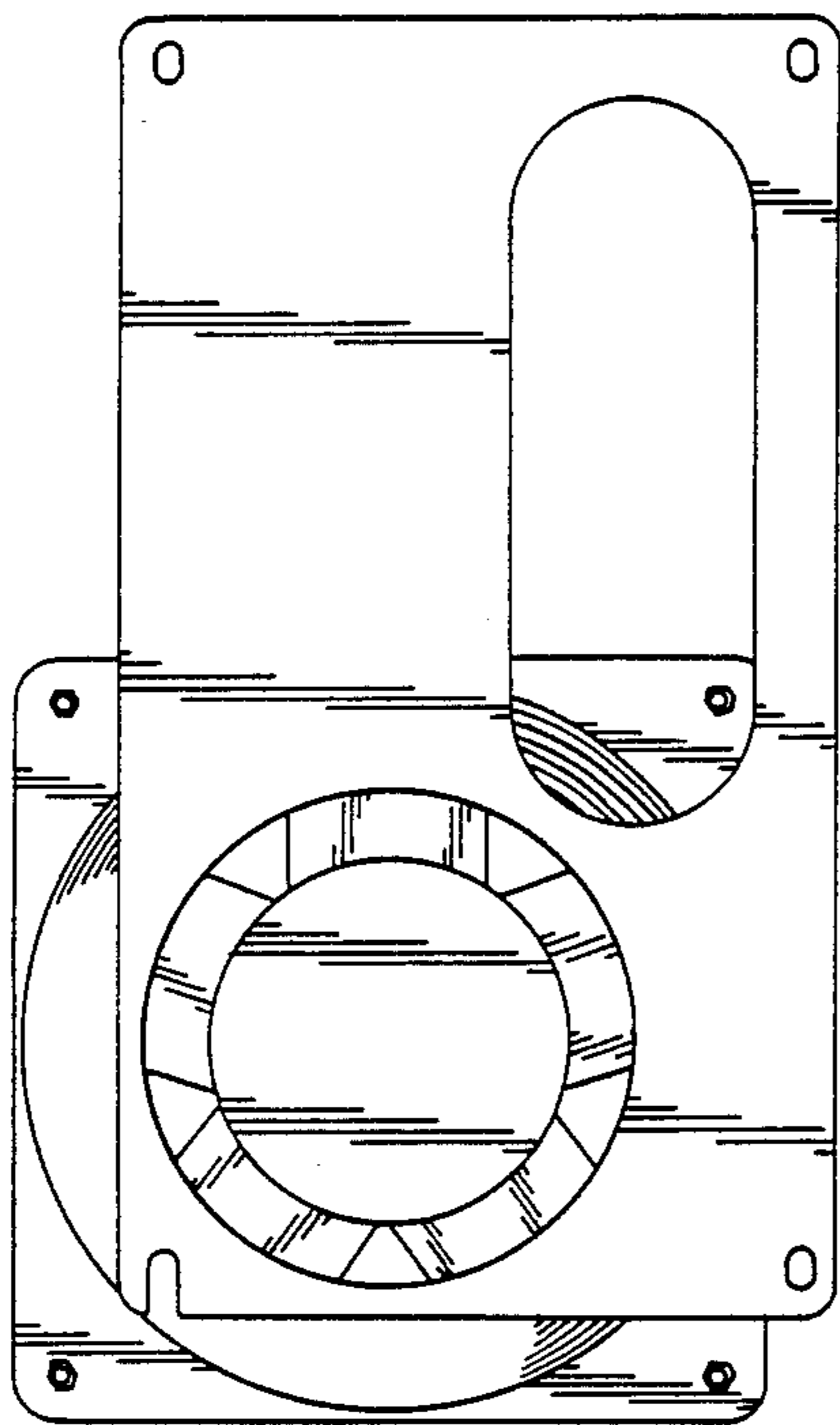


FIG. 2

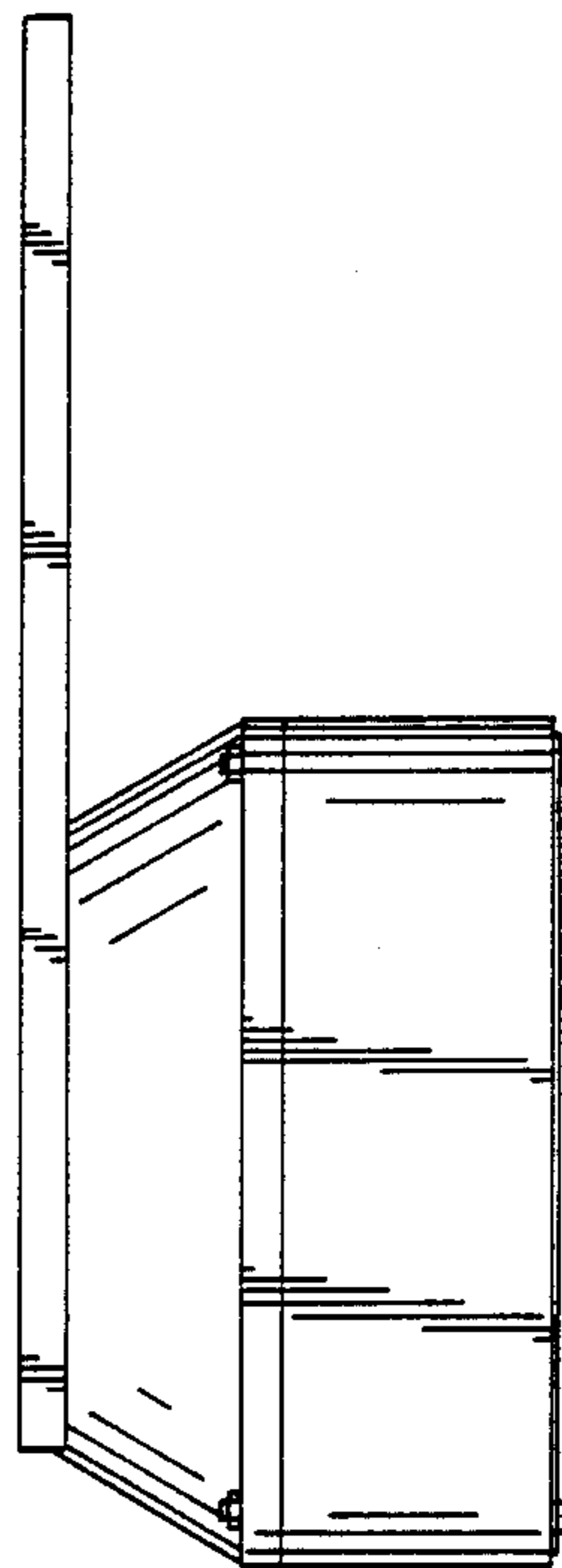


FIG. 3

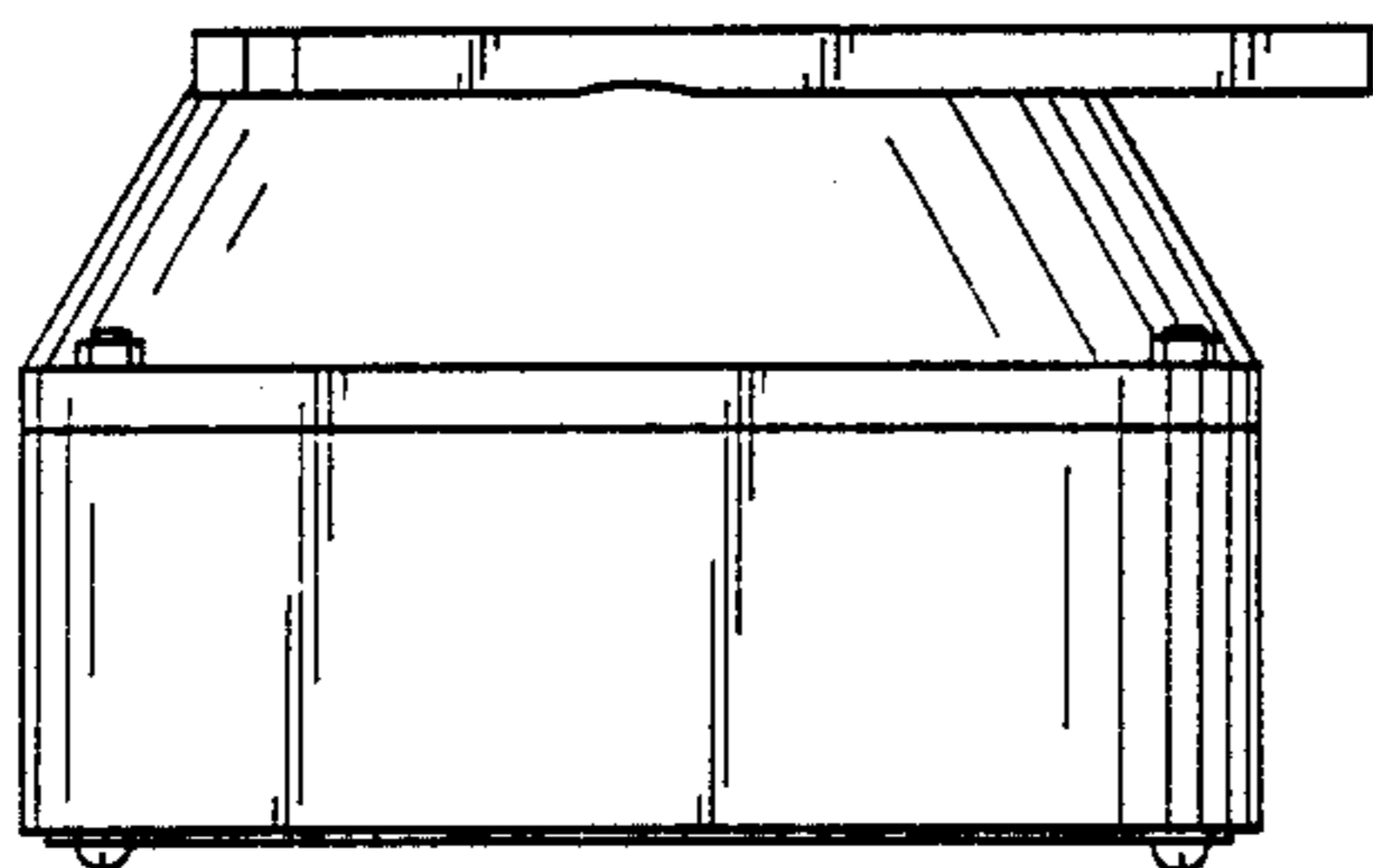


FIG. 4