

[54] COMPUTER COOLING FAN

[76] Inventor: Douglas A. Dodson, 31510 Ararat, Bonsall, Calif. 92008

[**] Term: 14 Years

[21] Appl. No.: 852,933

[22] Filed: Apr. 16, 1986

[52] U.S. Cl. D23/370; D14/114

[58] Field of Search D14/114; D23/370; 361/383, 384; 416/63; 417/360; 165/47, 104.33

[56] References Cited

U.S. PATENT DOCUMENTS

- D. 268,283 3/1983 Hicks D14/114 X
- D. 275,787 10/1984 Rapp et al. D23/370
- 4,237,521 12/1980 Denker 361/384

- 4,685,303 8/1987 Branc et al. 361/384 X
- 4,702,154 10/1987 Dadson 361/384 X

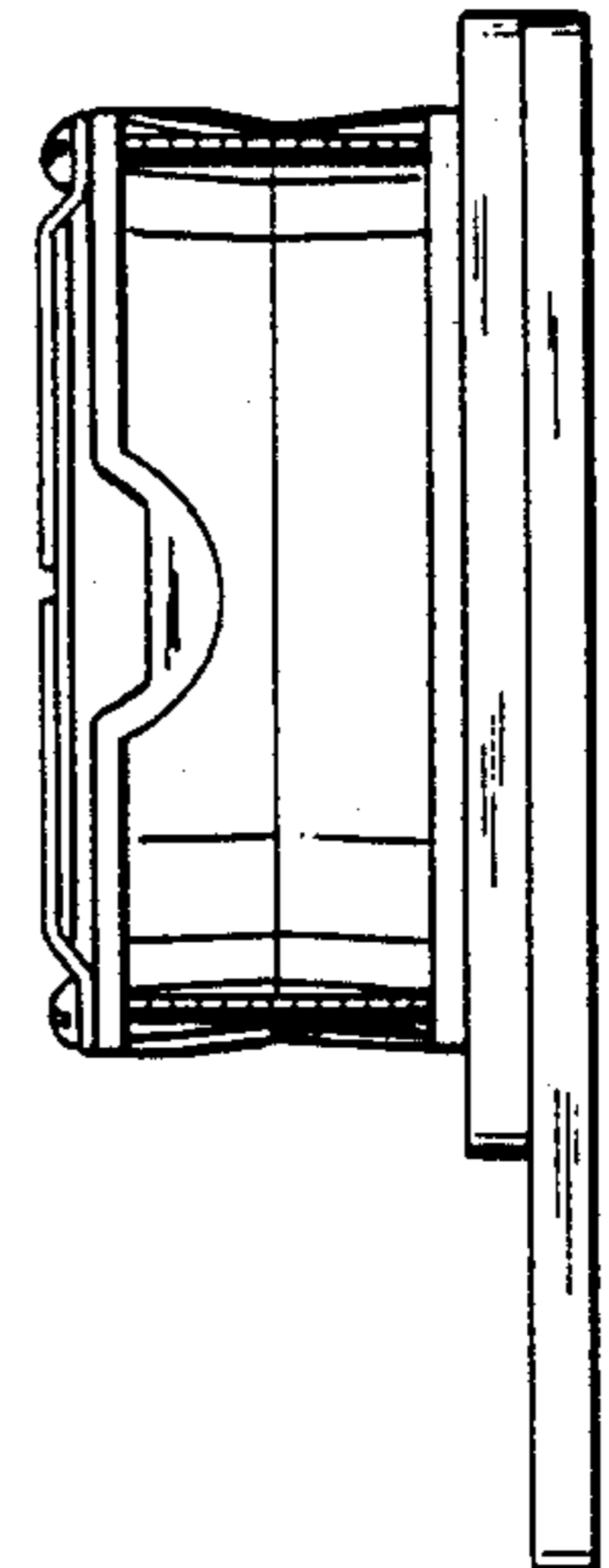
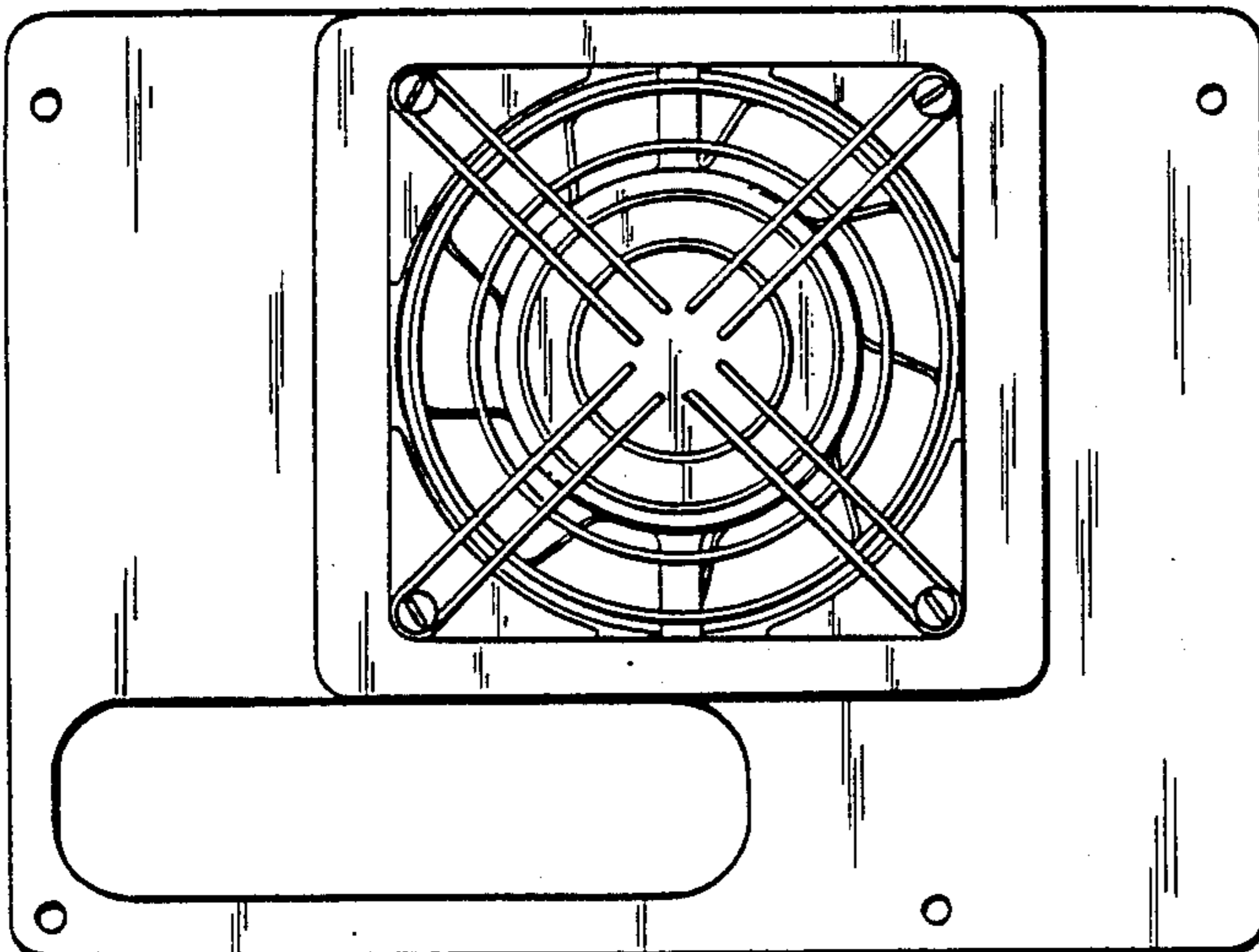
Primary Examiner—Susan J. Lucas
Attorney, Agent, or Firm—Duane C. Bowen

[57] CLAIM

The ornamental design for a computer cooling fan, as shown and described.

DESCRIPTION

FIG. 1 is a front elevational view of the computer cooling fan, showing my new design;
 FIG. 2 is a side elevational view thereof, the opposite side being a mirror image;
 FIG. 3 is a top plan view thereof;
 FIG. 4 is a rear elevational view thereof;
 FIG. 5 is a bottom plan view thereof.



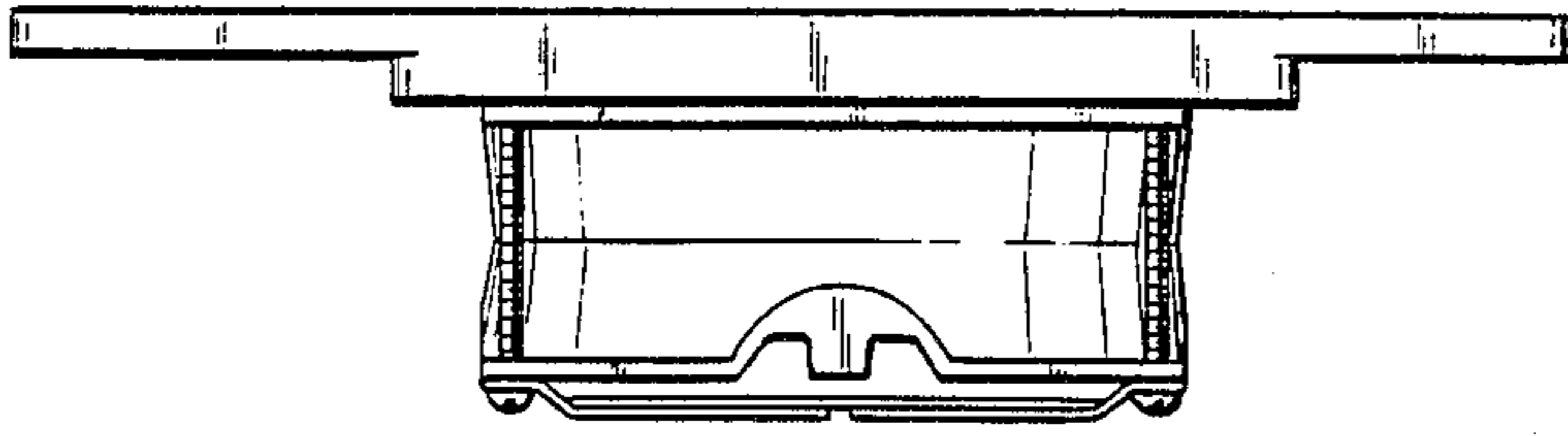


Fig. 3

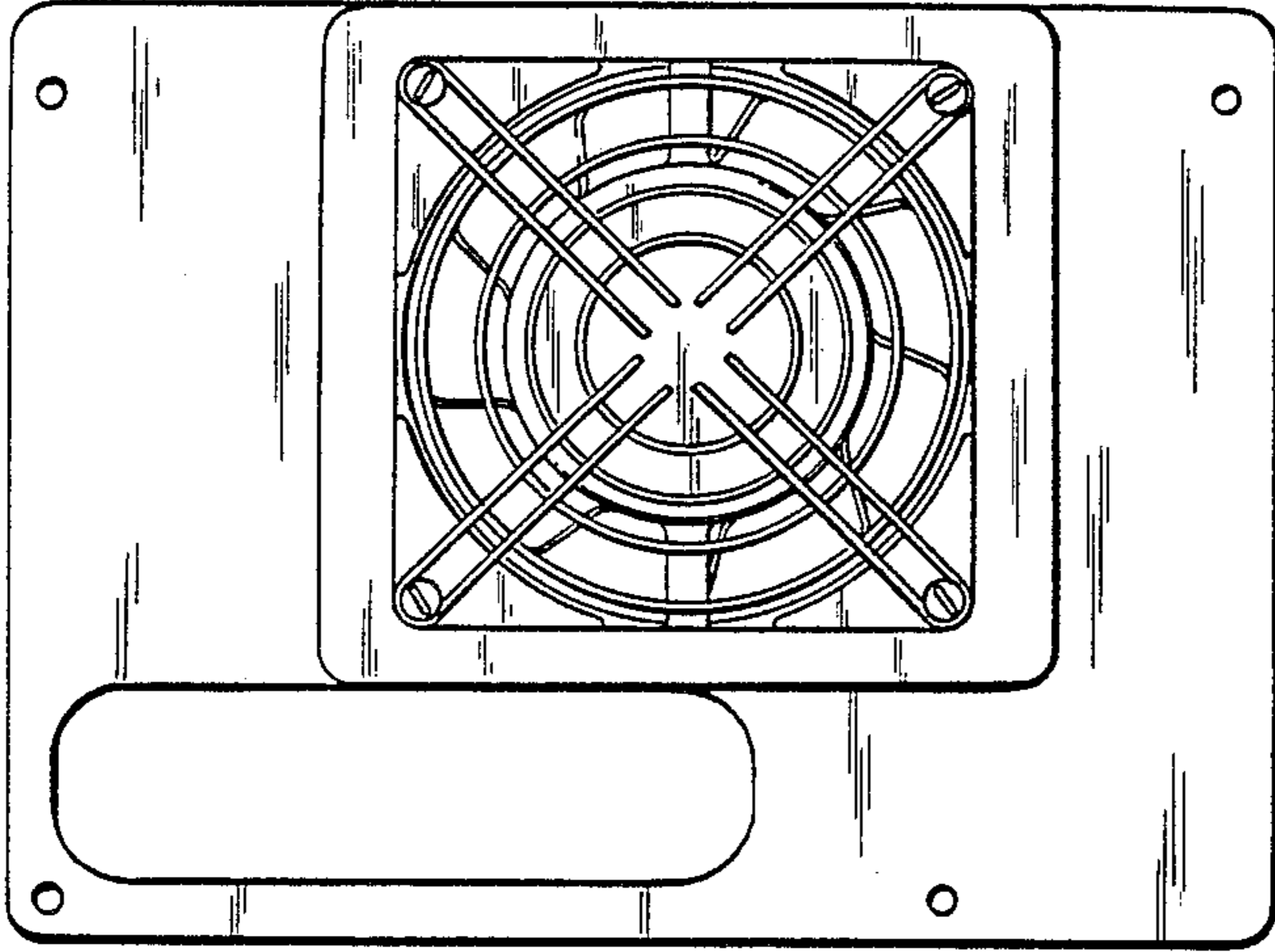


Fig. 1

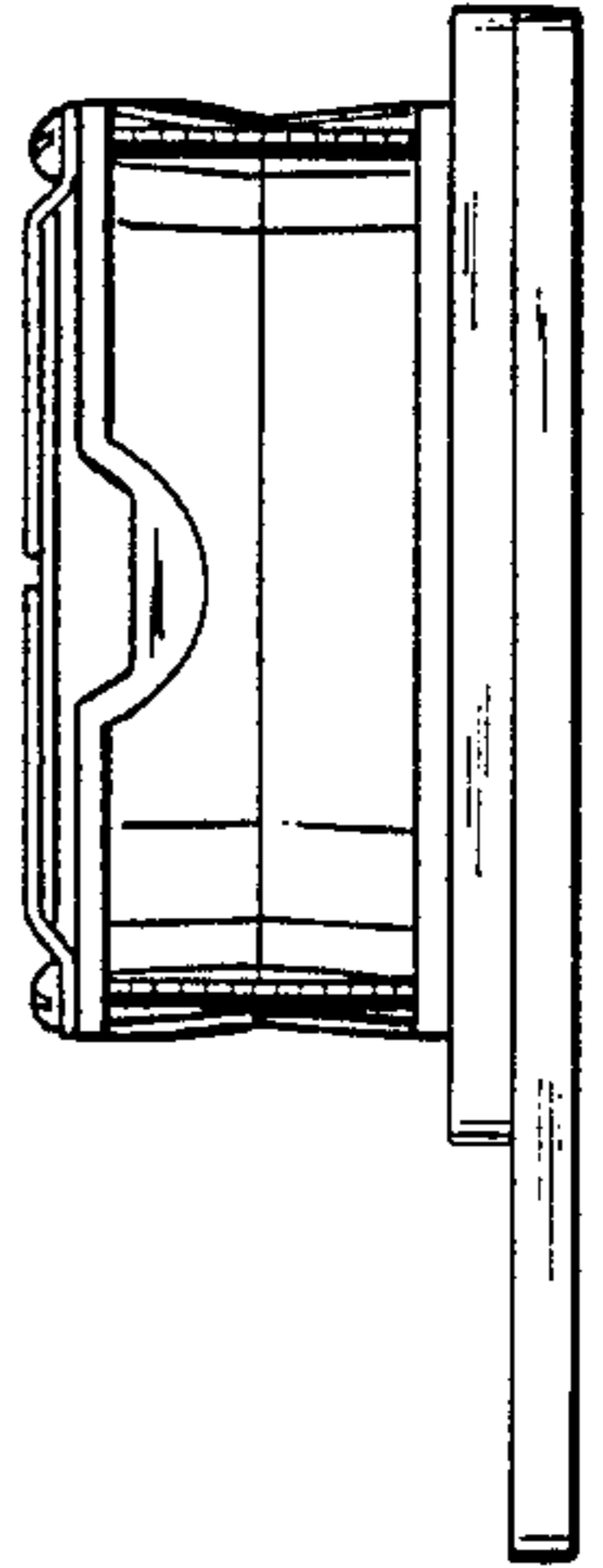


Fig. 2

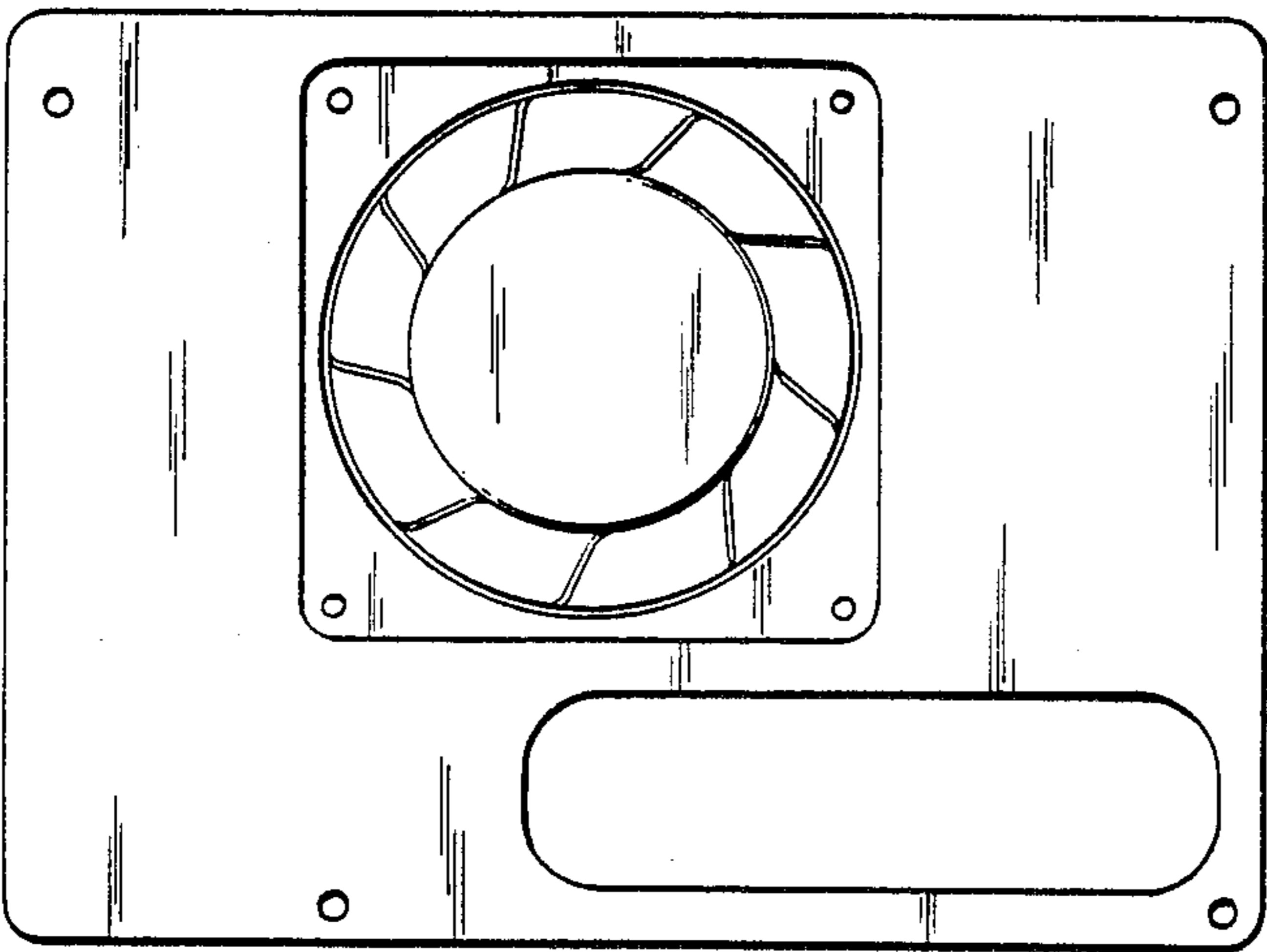


Fig. 4

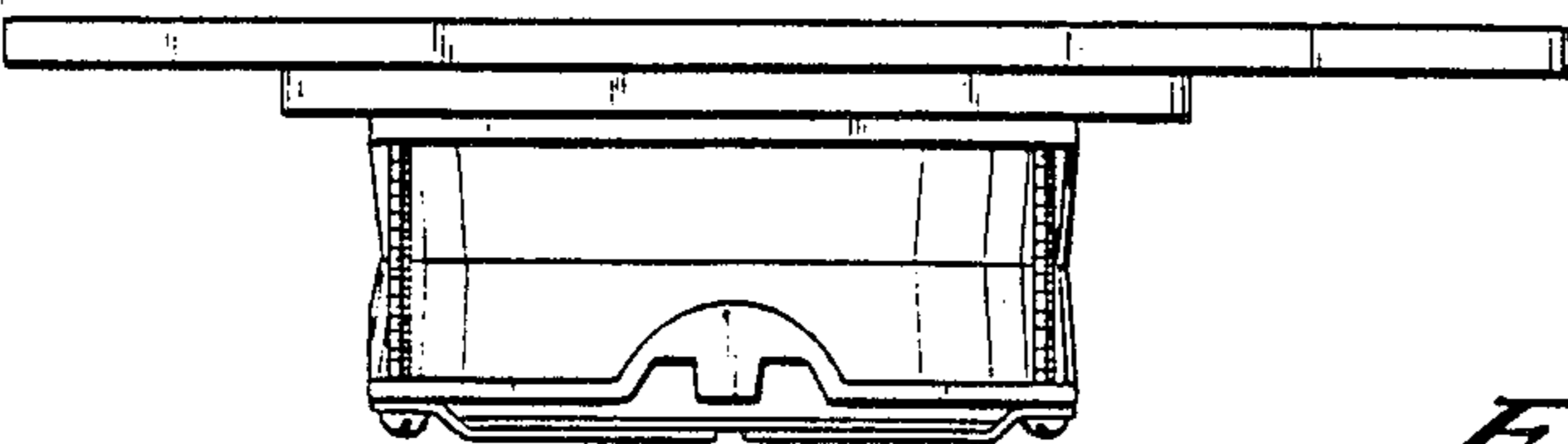


Fig. 5