

[54] WATER DEFLECTION SHIELD FOR VENTILATOR INTAKE APERTURES

2,843,035 7/1958 Jacks ..... 98/29  
3,130,659 4/1964 Compton et al. .... 98/29  
4,502,368 3/1985 Hempel ..... 98/29

[76] Inventor: William E. Hilton, 656 Suwanee E. Dr., Lawrenceville, Ga. 30245

Primary Examiner—Wallace R. Burke  
Assistant Examiner—Brian N. Vinson  
Attorney, Agent, or Firm—Terry M. Gernstein

[\*\*] Term: 14 Years

[57] CLAIM

[21] Appl. No.: 804,988

The ornamental design for a water deflection shield for ventilator intake apertures, as shown and described.

[22] Filed: Nov. 14, 1985

[52] U.S. Cl. .... D23/370; D23/386; D23/393

DESCRIPTION

[58] Field of Search ..... D23/40, 42; 98/29, 35, 98/42.11, 42.13, 61; D25/199, 56, 57; 52/97

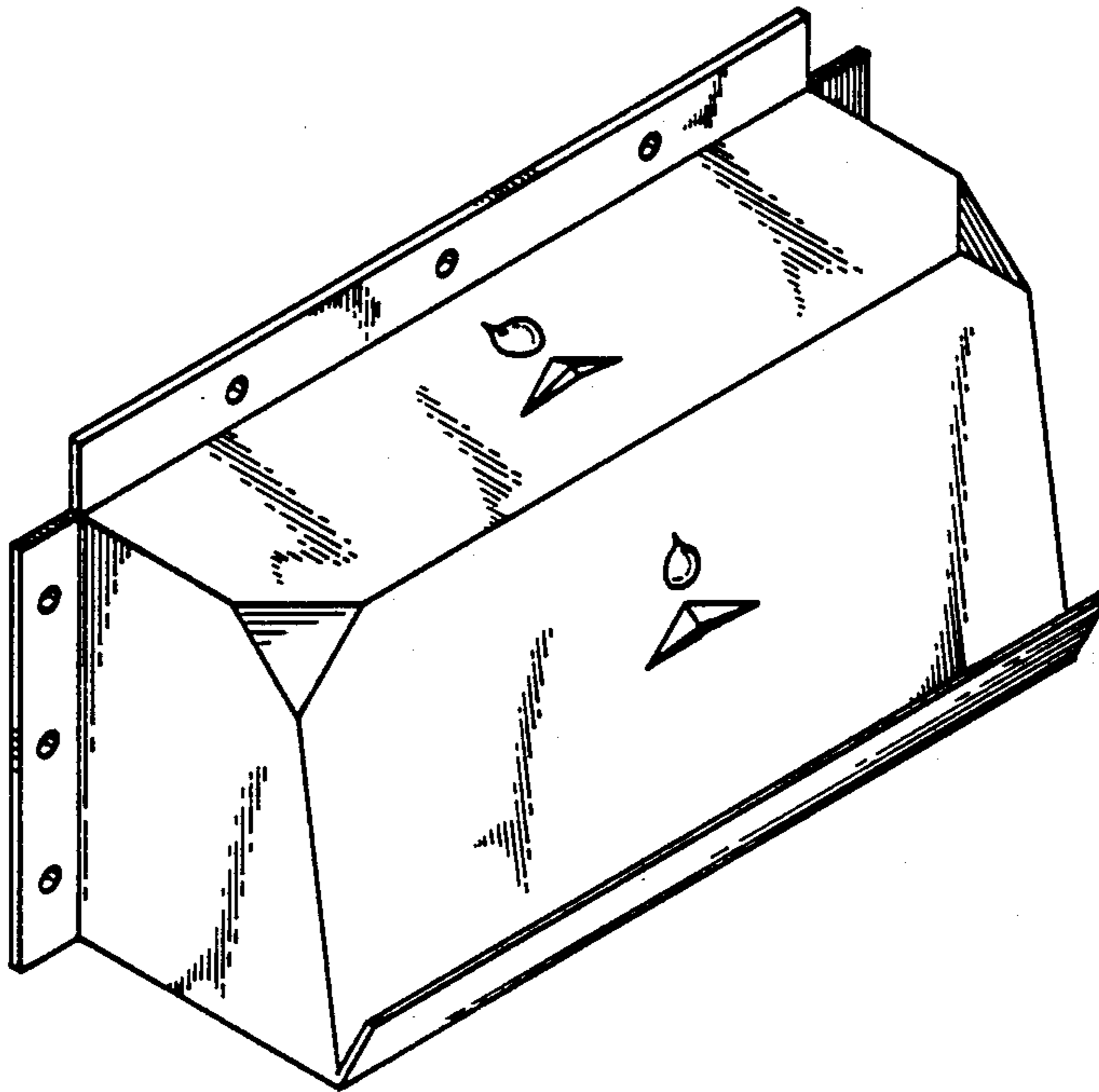
FIG. 1 is a top, front perspective view of a water deflection shield for ventilator intake apertures showing my new design;

[56] References Cited

U.S. PATENT DOCUMENTS

D. 127,610 6/1941 Krumsiek et al. .... D23/42

FIG. 2 is a right side elevational view thereof;  
FIG. 3 is a left side elevational view thereof;  
FIG. 4 is a front elevational view thereof; and  
FIG. 5 is a bottom plan view thereof.



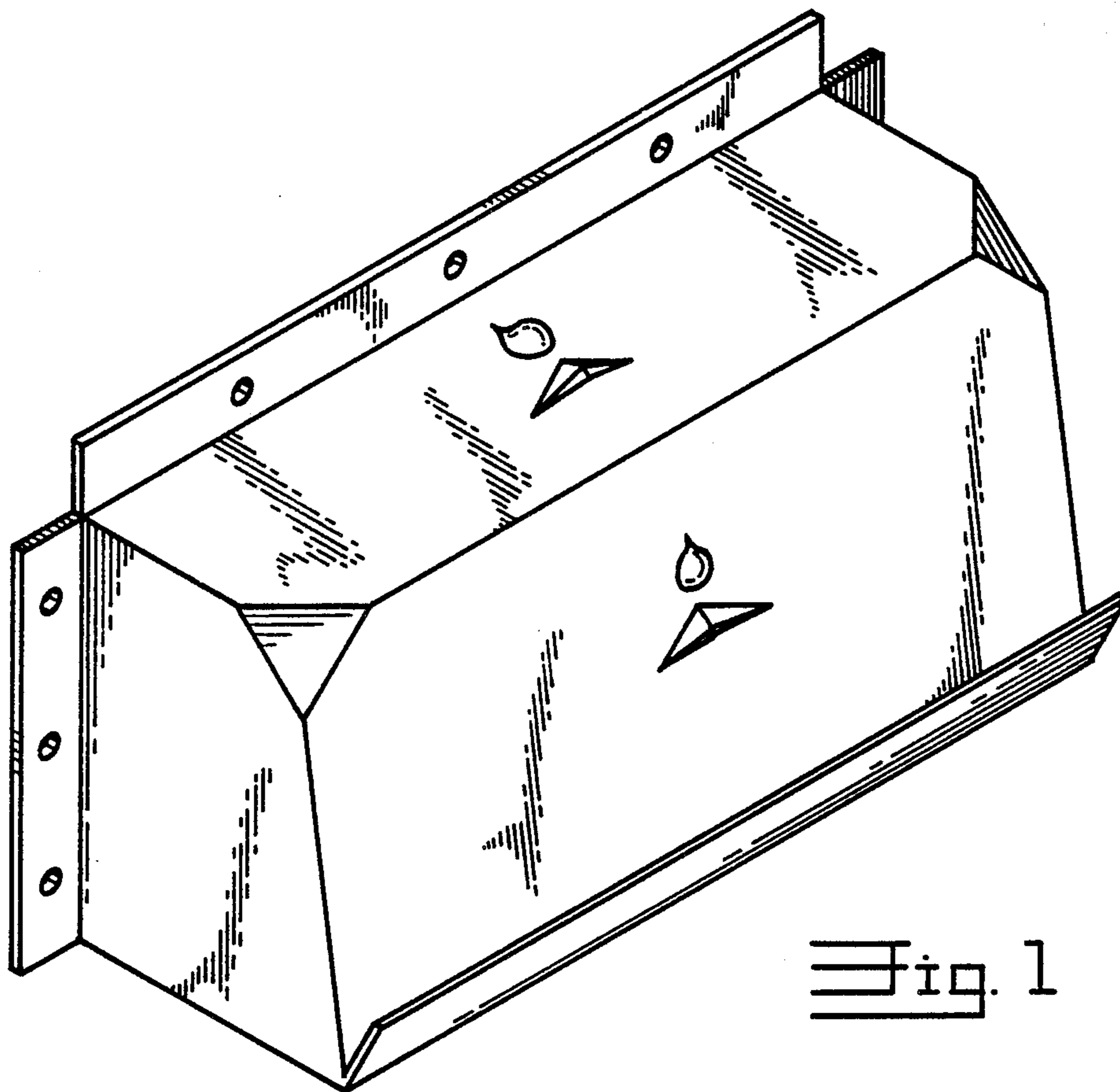


Fig. 1

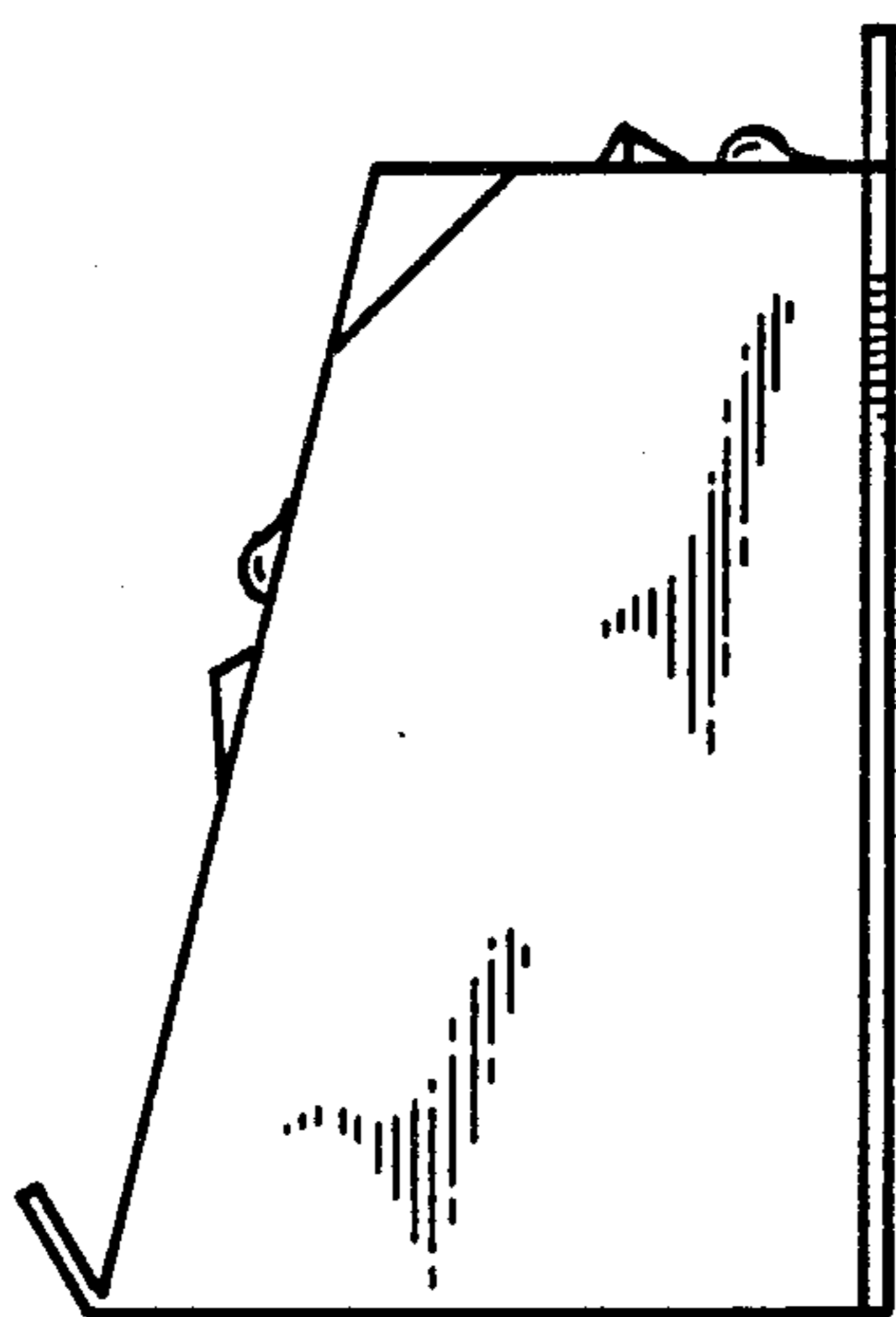


Fig. 2

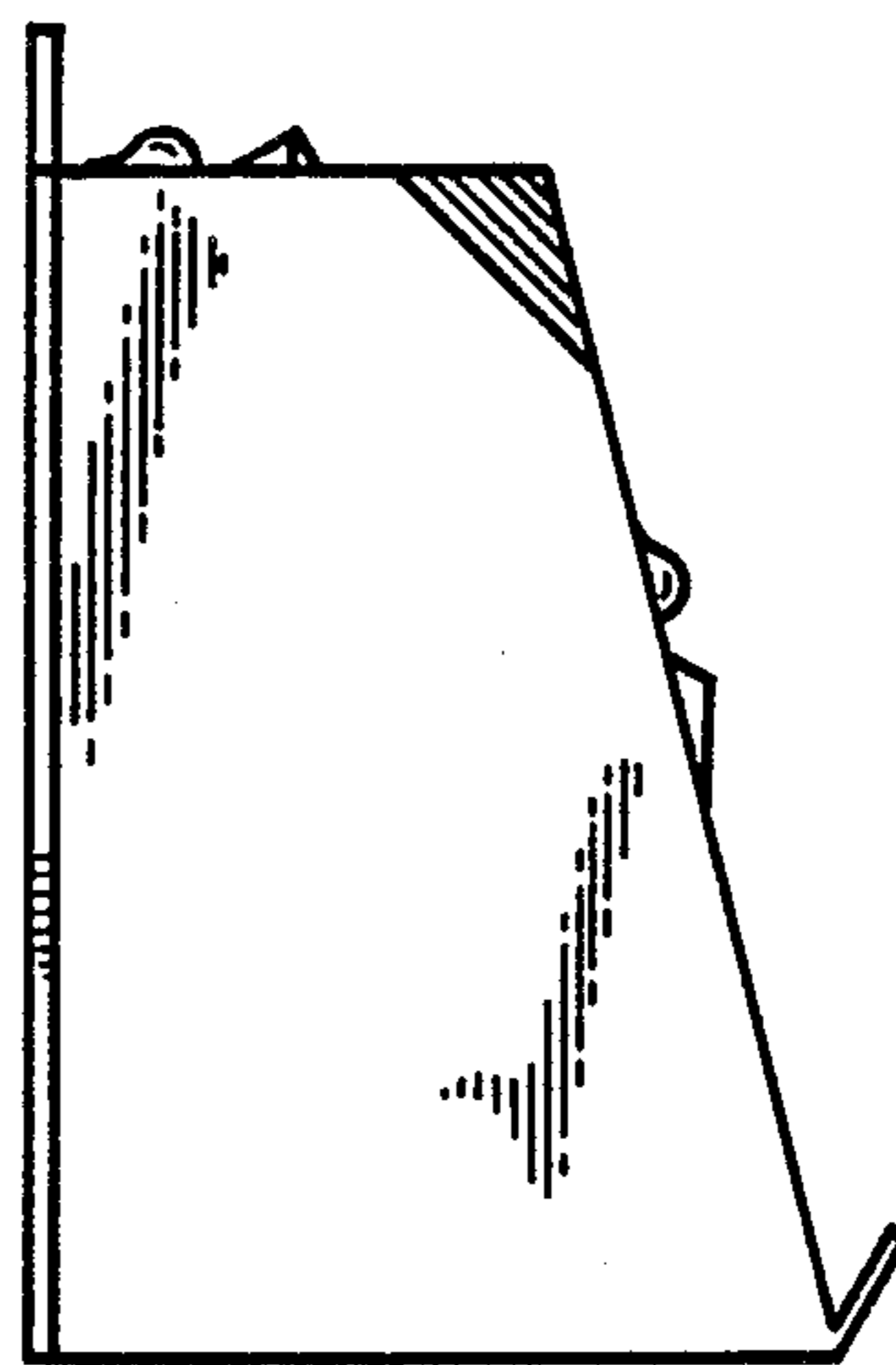


Fig. 3

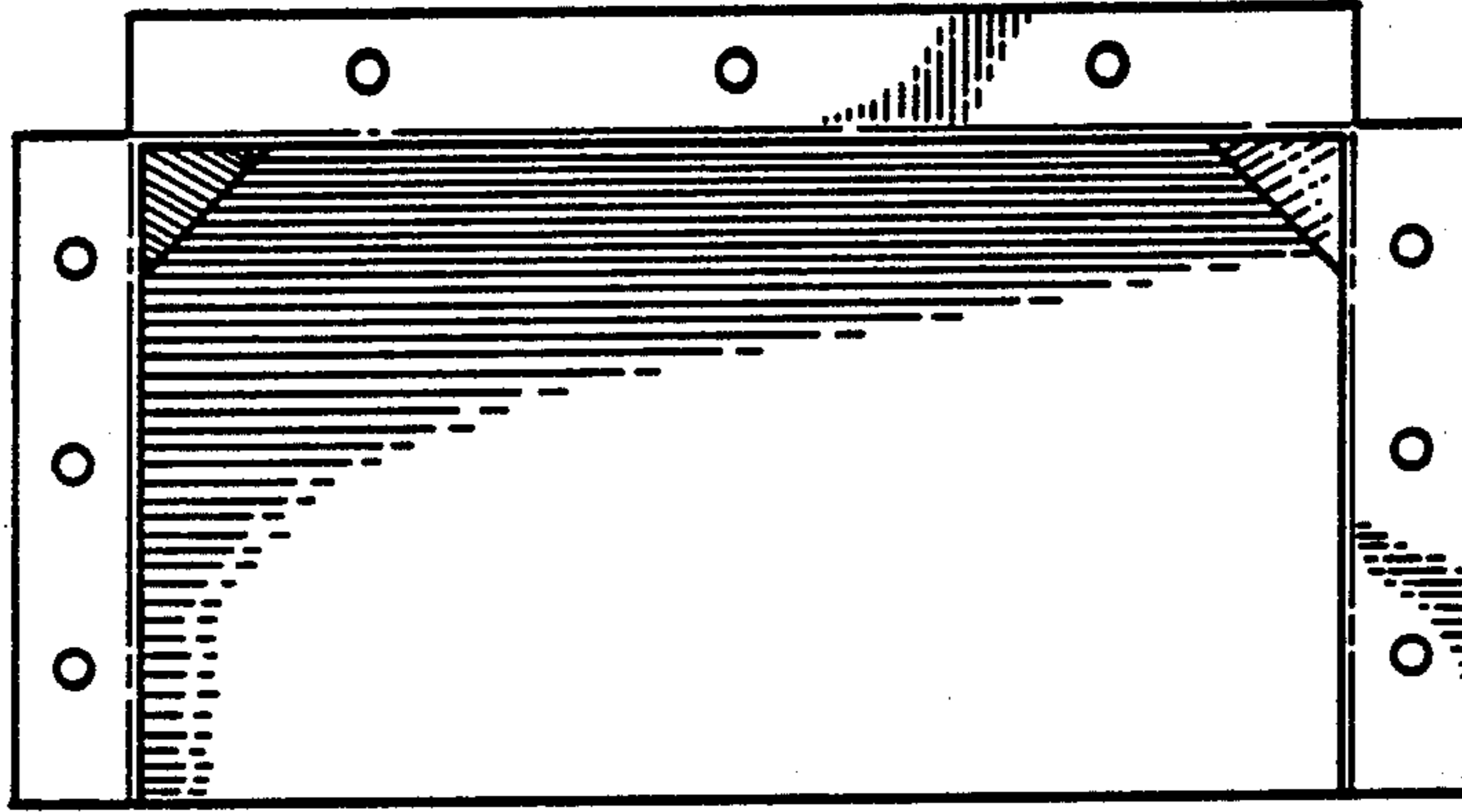


Fig. 4

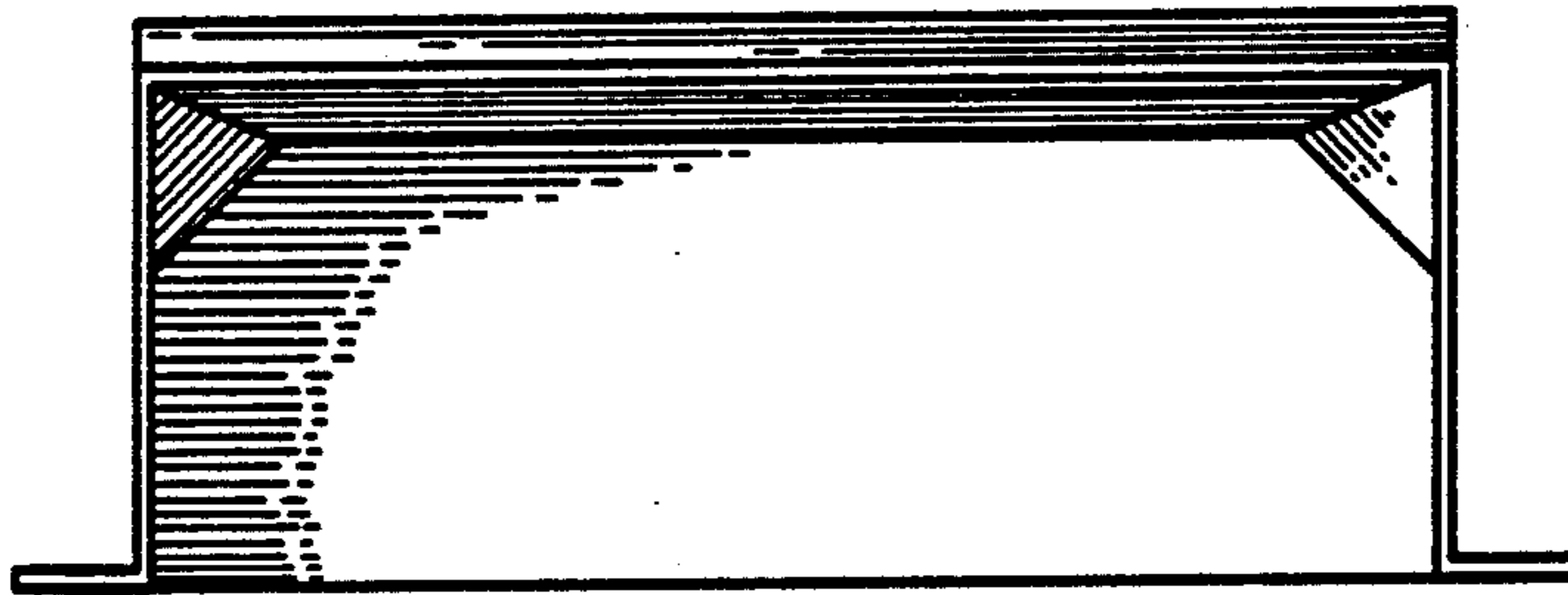


Fig. 5