

[54] COMBINED CONNECTOR FOR A HAND SHOWER AND WALL HOLDER

[75] Inventors: Andreas Haug, Altensteig; Hans-Peter Leins, Rohrdorf, both of Fed. Rep. of Germany

[73] Assignee: Hans Grohe GmbH & Co. KG, Fed. Rep. of Germany

[**] Term: 14 Years

[21] Appl. No.: 767,129

[22] Filed: Aug. 19, 1985

[52] U.S. CL. D23/304

[58] Field of Search D23/213, 222, 223, 228, D23/229, 230, 283, 303, 304; 4/191, 192, 567-570, 615, 616

[56] References Cited

U.S. PATENT DOCUMENTS

- D. 245,093 7/1977 Saether D23/228 X
- D. 255,626 7/1980 Grubo D23/223
- D. 265,874 8/1982 Klose D23/223 X

- D. 267,582 1/1983 MacKay et al. D23/223
- D. 274,457 6/1984 Haug D23/213
- D. 282,200 1/1986 Haug D23/213
- 2,598,092 5/1952 Alvey 4/191
- 3,404,410 10/1968 Sumida 4/191
- 3,471,872 10/1969 Symmons 4/191
- 4,174,822 11/1979 Larsson 4/615 X

Primary Examiner—James R. Largen
Attorney, Agent, or Firm—Steele, Gould & Fried

[57] CLAIM

The ornamental design for a combined connector for a hand shower and wall holder, as shown and described.

DESCRIPTION

FIG. 1 is a perspective view taken from the top, front and right side of a combined connector for a hand shower and wall holder showing our new design; FIG. 2 is a right side elevational view thereof; FIG. 3 is a left side elevational view thereof; FIG. 4 is a front elevational view thereof; FIG. 5 is a rear elevational view thereof; FIG. 6 is a top plan view thereof; and FIG. 7 is a bottom plan view thereof.

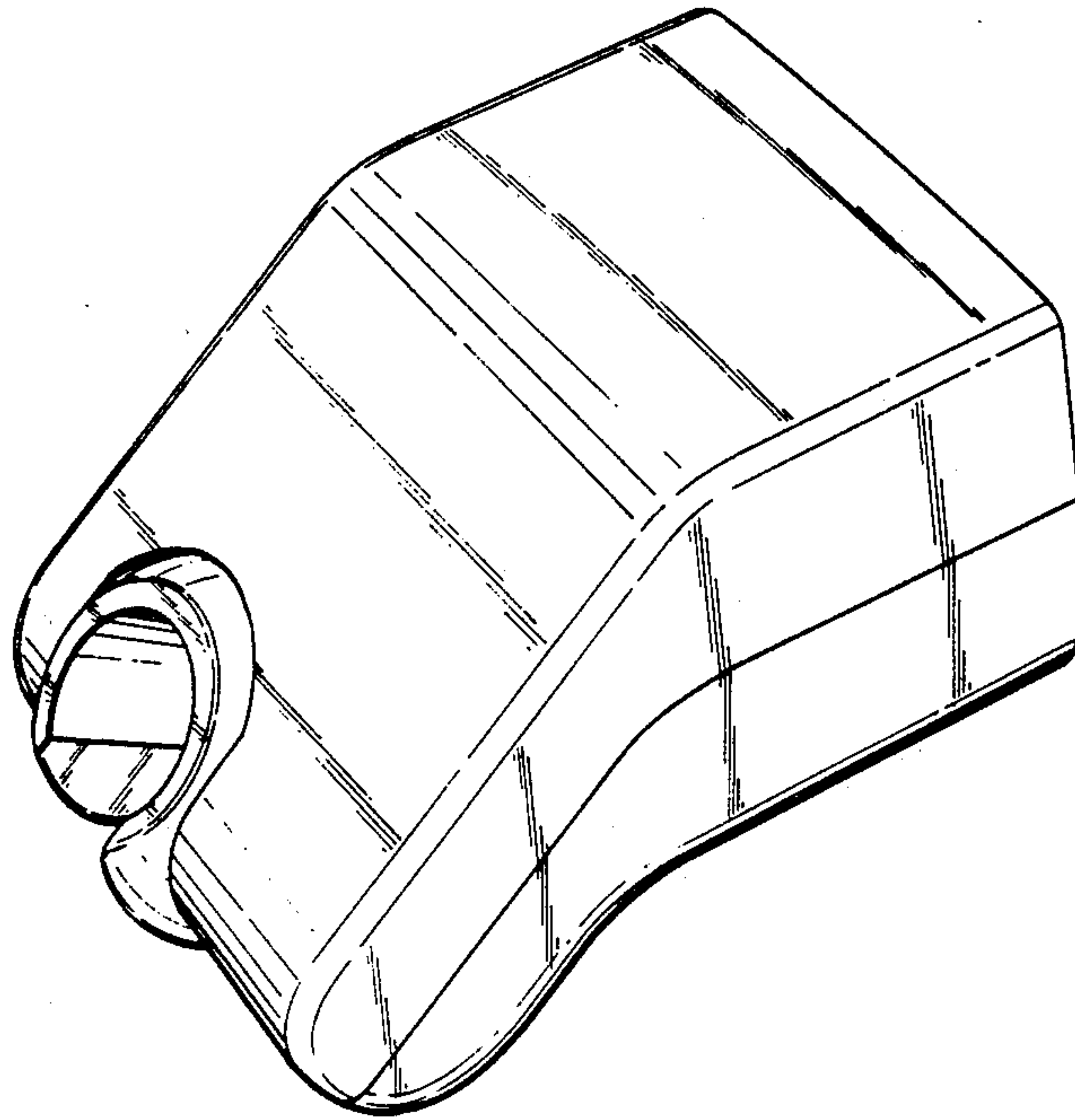


Fig. 1

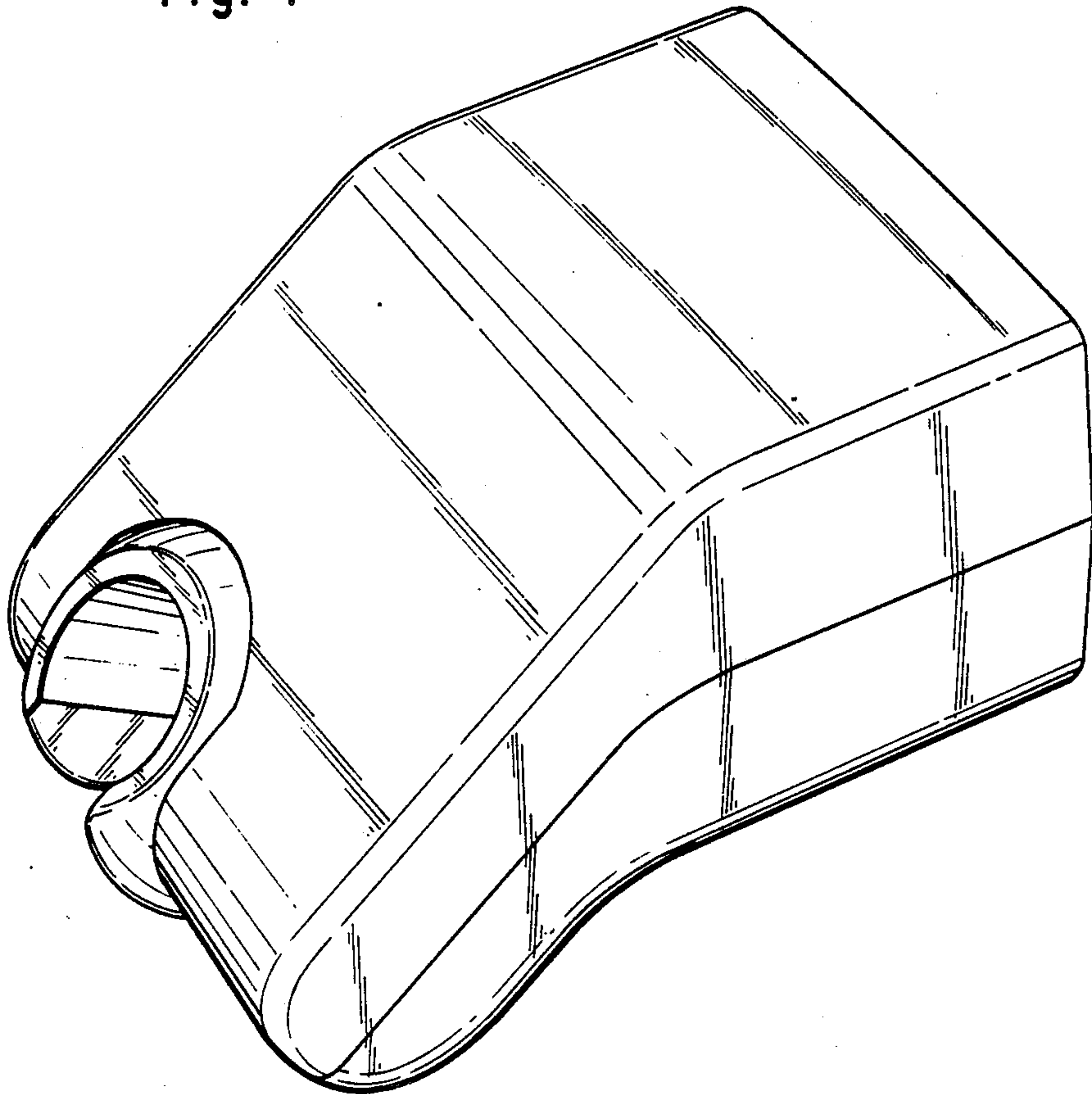


Fig. 4

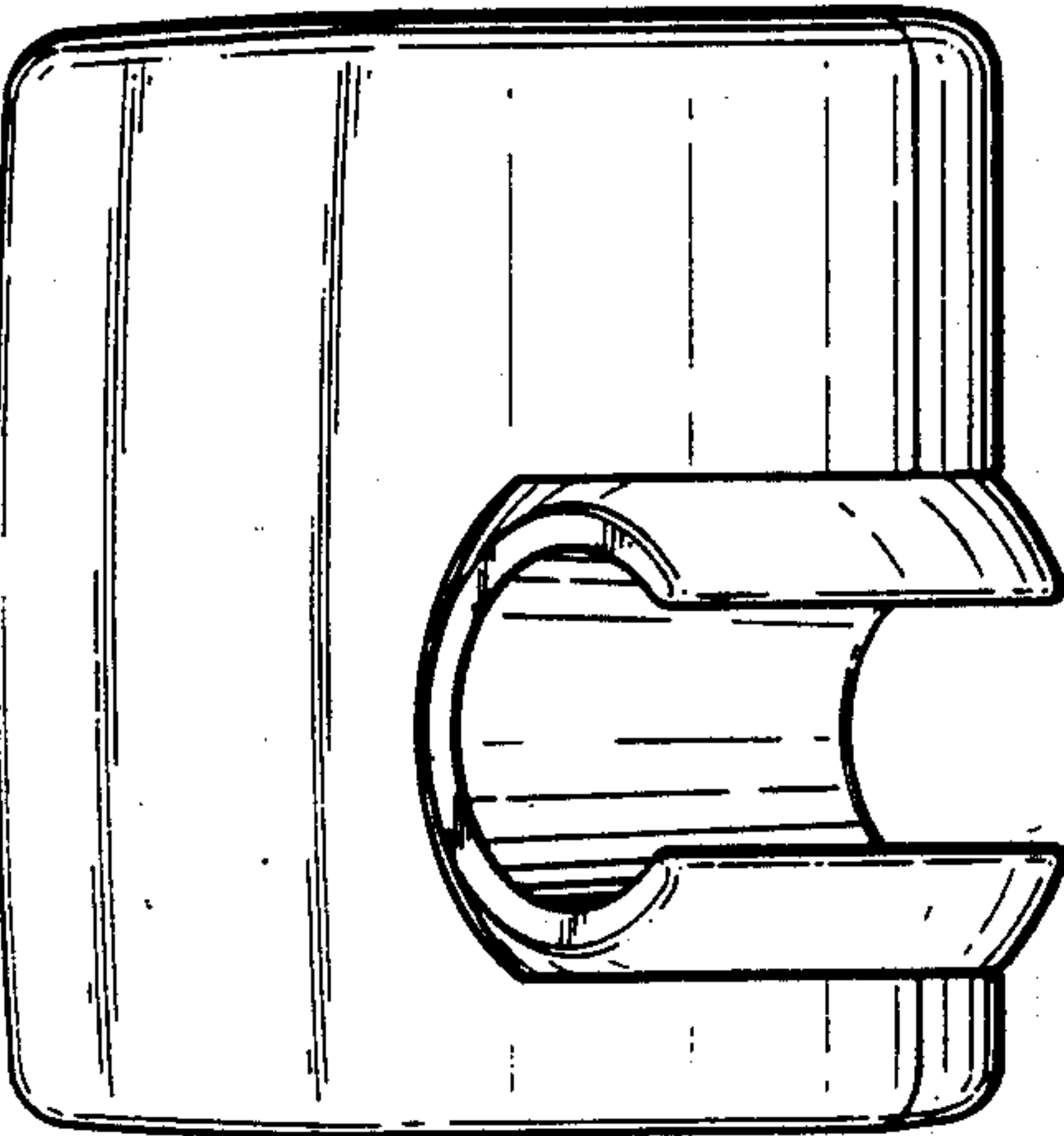


Fig. 2

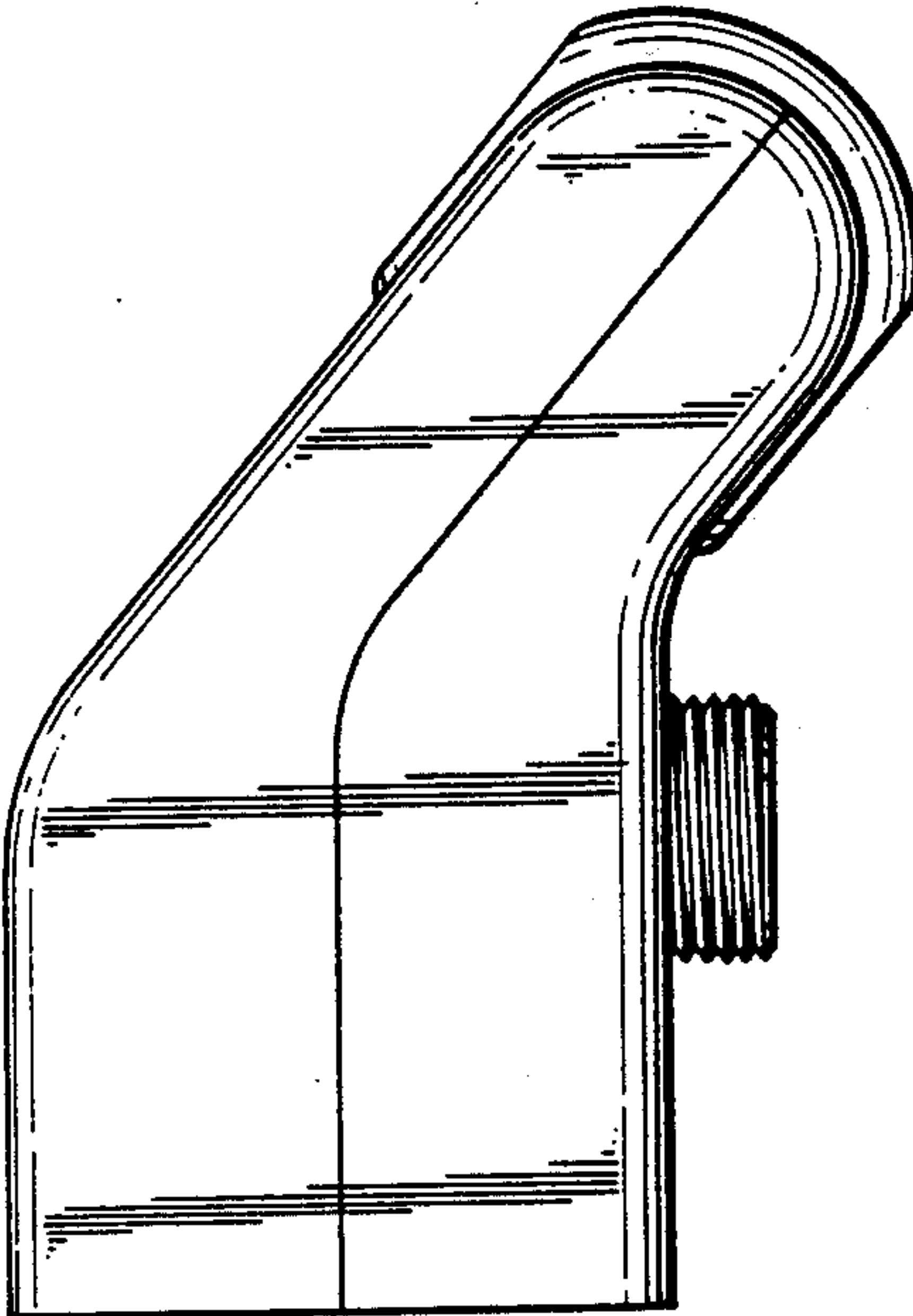


Fig. 5

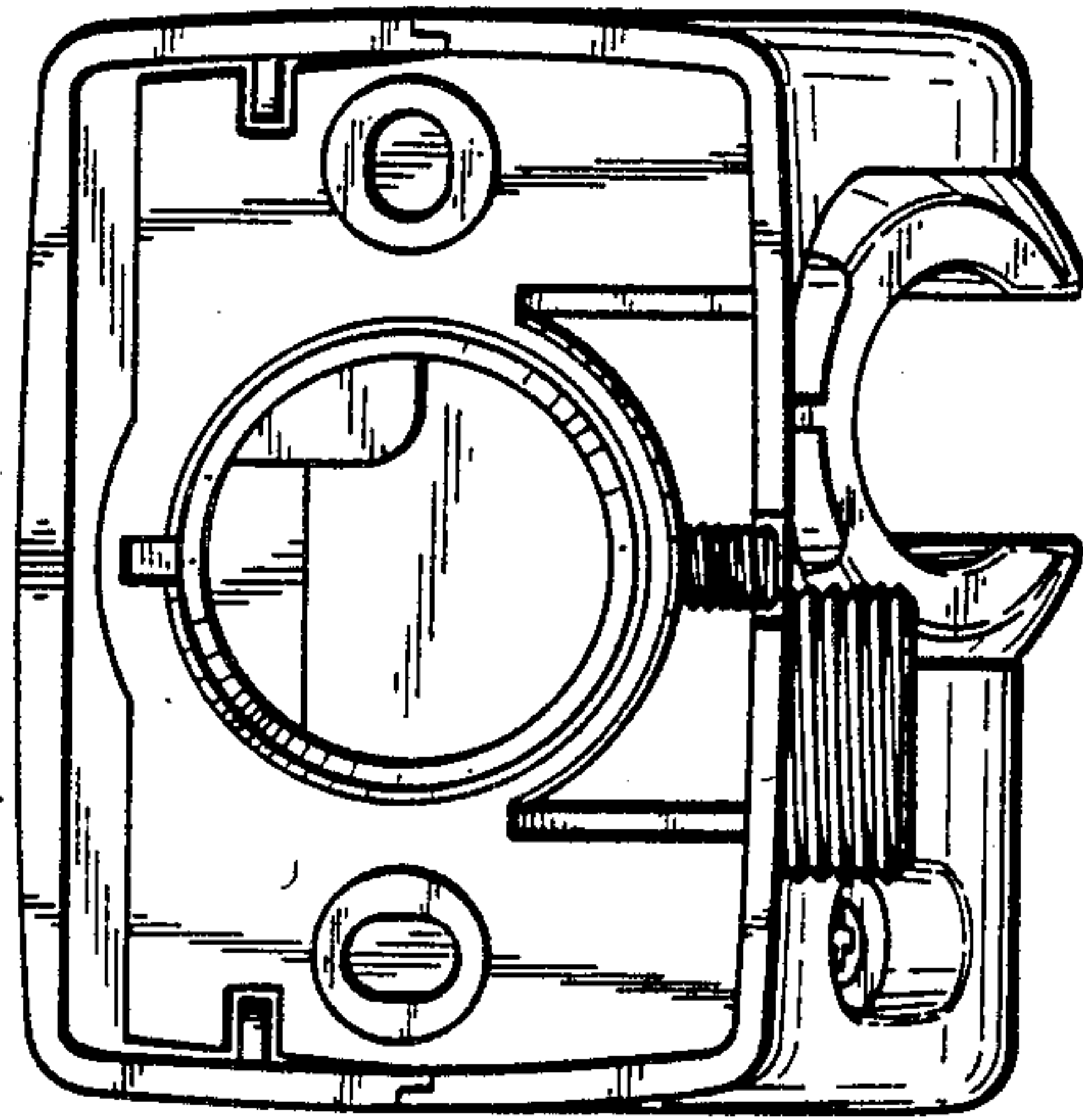


Fig. 3

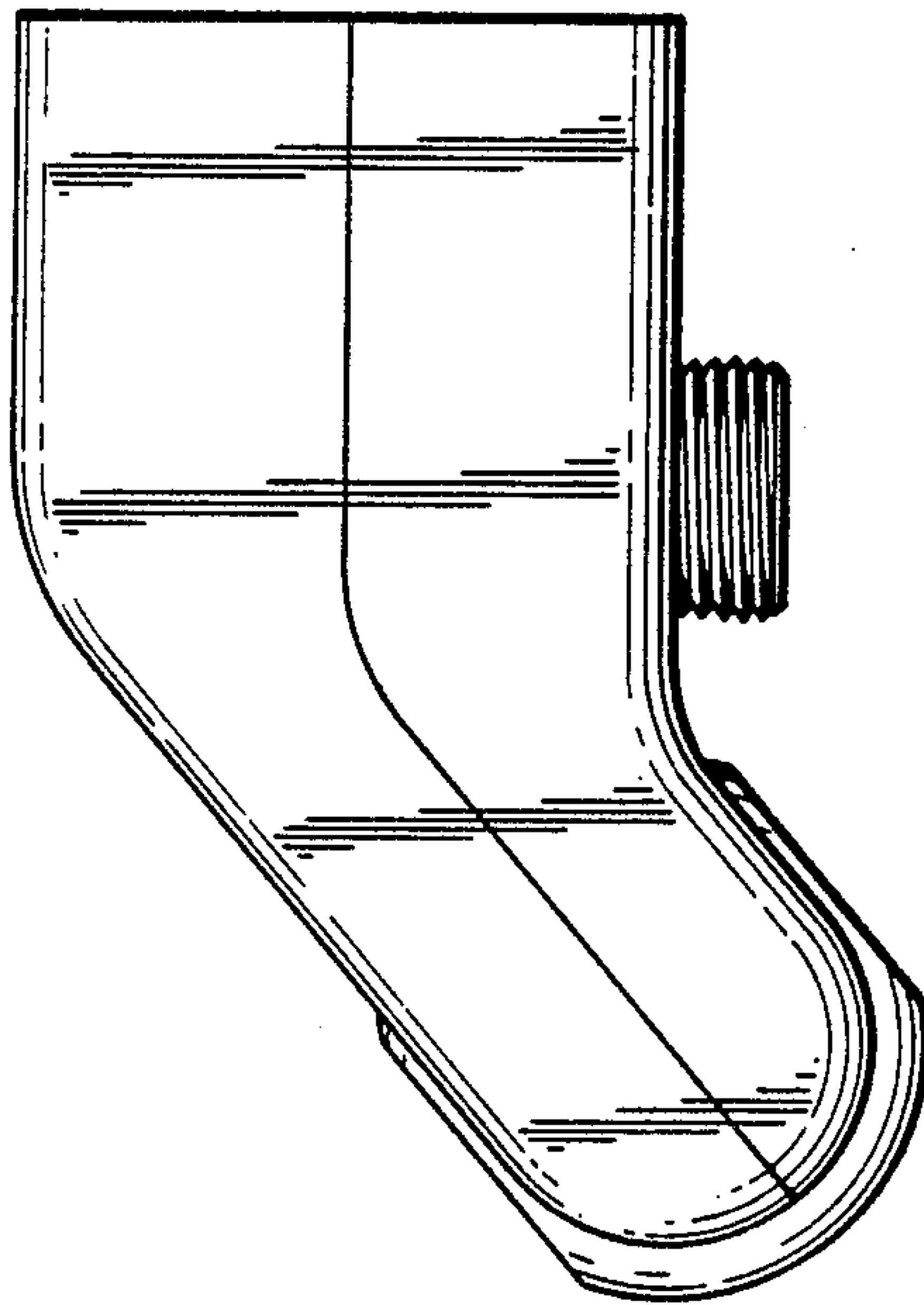


Fig. 6

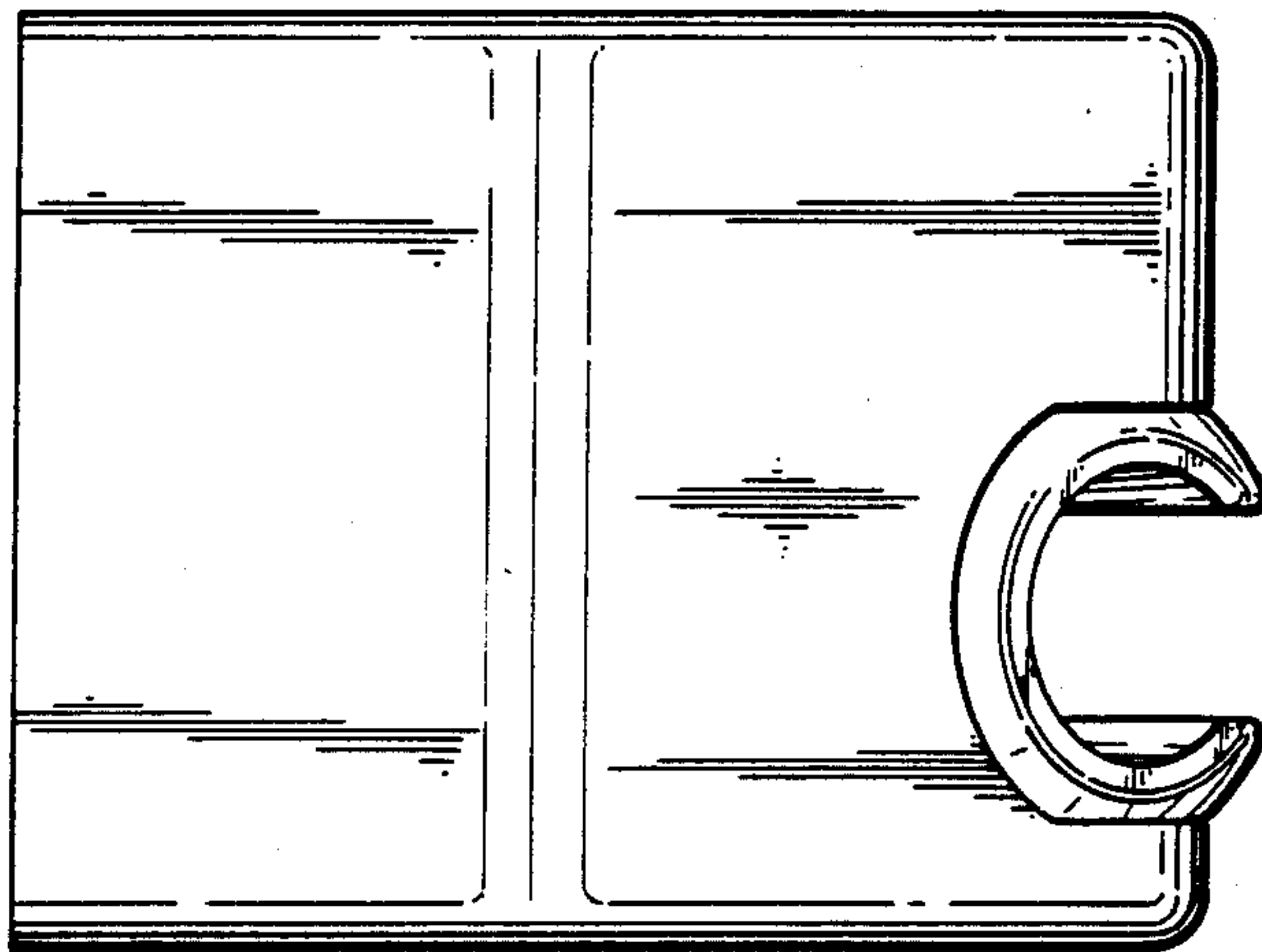
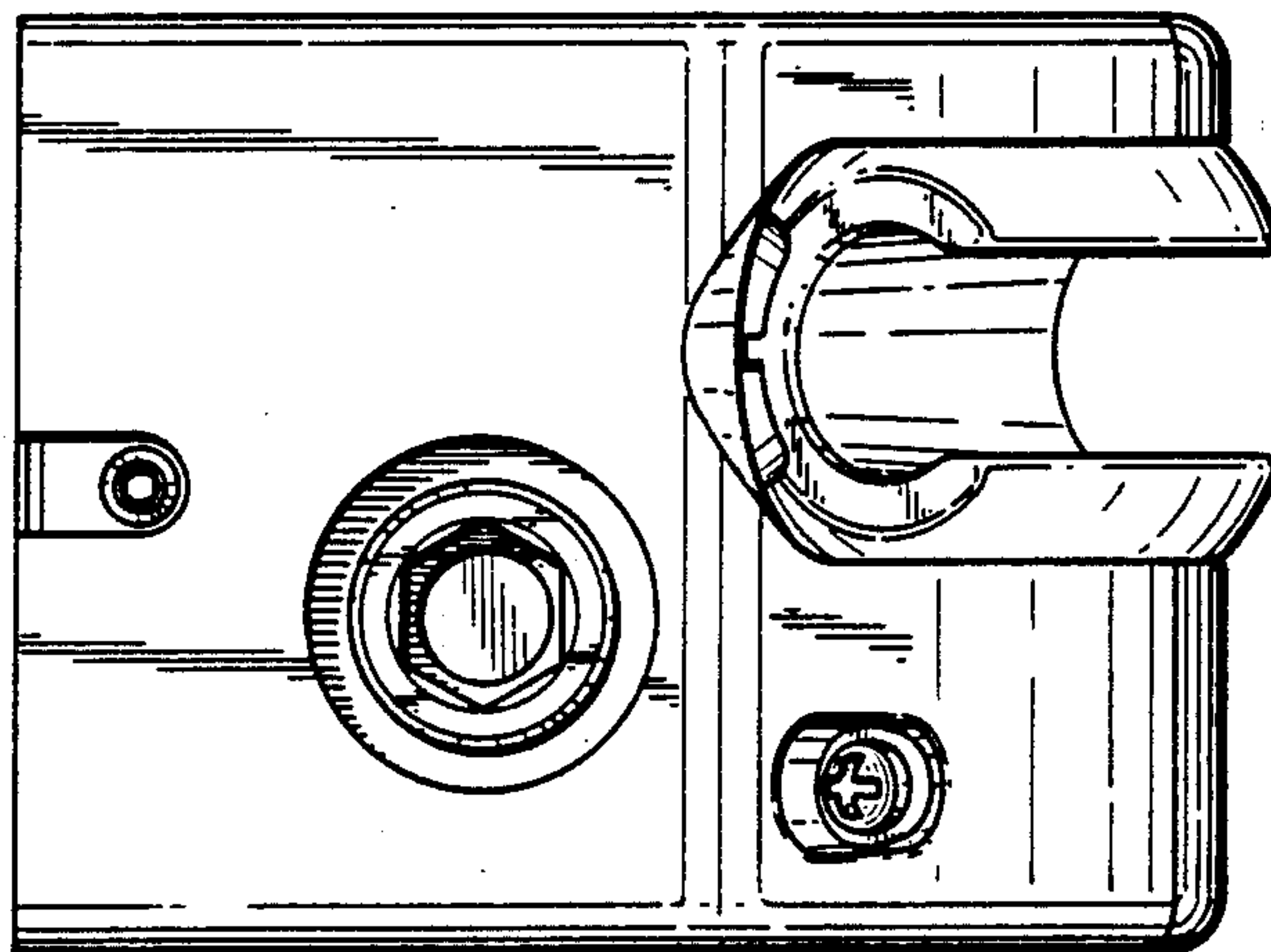


Fig. 7



UNITED STATES PATENT AND TRADEMARK OFFICE
CERTIFICATE OF CORRECTION

PATENT NO. : Des. 296,582

DATED : July 5, 1988

INVENTOR(S) : Andreas Haug and Hans-Peter Leins

It is certified that error appears in the above-identified patent and that said Letters Patent is hereby corrected as shown below:

Insert on the cover page --

Foreign Application Priority Data

February 2, 1985 [DE] Fed. Rep. of Germany MR 1145 Ob

--.

**Signed and Sealed this
Third Day of January, 1989**

Attest:

Attesting Officer

DONALD J. QUIGG

Commissioner of Patents and Trademarks