

[54] SLEEVE FOR HOSE CONNECTOR

[75] Inventor: Kenneth Hattori, Bensenville, Ill.

[73] Assignee: Suncoast Corporation, Batavia, Ill.

[**] Term: 14 Years

[21] Appl. No.: 806,860

[22] Filed: Nov. 27, 1985

[52] U.S. Cl. D23/262

[58] Field of Search D23/259-269;
285/242, 245, 246, 247

2,850,302	9/1958	Billingsley	285/247
3,032,358	5/1962	Rolston	285/247
3,549,177	12/1970	Sotolongo	285/247 X
4,219,222	8/1980	Brusadin	285/315 X
4,660,803	4/1987	Johnston et al.	285/323 X

Primary Examiner—James R. Largen
Attorney, Agent, or Firm—Fitch, Even, Tabin & Flannery

[57] CLAIM

The ornamental design for sleeve for hose connector, substantially as shown and described.

DESCRIPTION

FIG. 1 is a front perspective view of a sleeve for a hose connector showing my new design;
FIG. 2 is a front elevational view thereof;
FIG. 3 is a rear elevational view thereof;
FIG. 4 is a side elevational view thereof, the other sides being the same as the side shown; and
FIG. 5 is a cross sectional view taken on line 5—5 of FIG. 2.

[56] References Cited

U.S. PATENT DOCUMENTS

D. 44,178	6/1913	McMurtrie	D23/262
D. 118,575	1/1940	Thomas, Jr.	D23/262
D. 122,386	9/1940	Cafiero	D23/259
D. 187,578	3/1960	Moffatt	D23/262
D. 265,418	7/1982	Chow et al.	D23/262
487,893	12/1892	Schimper et al.	285/242 X

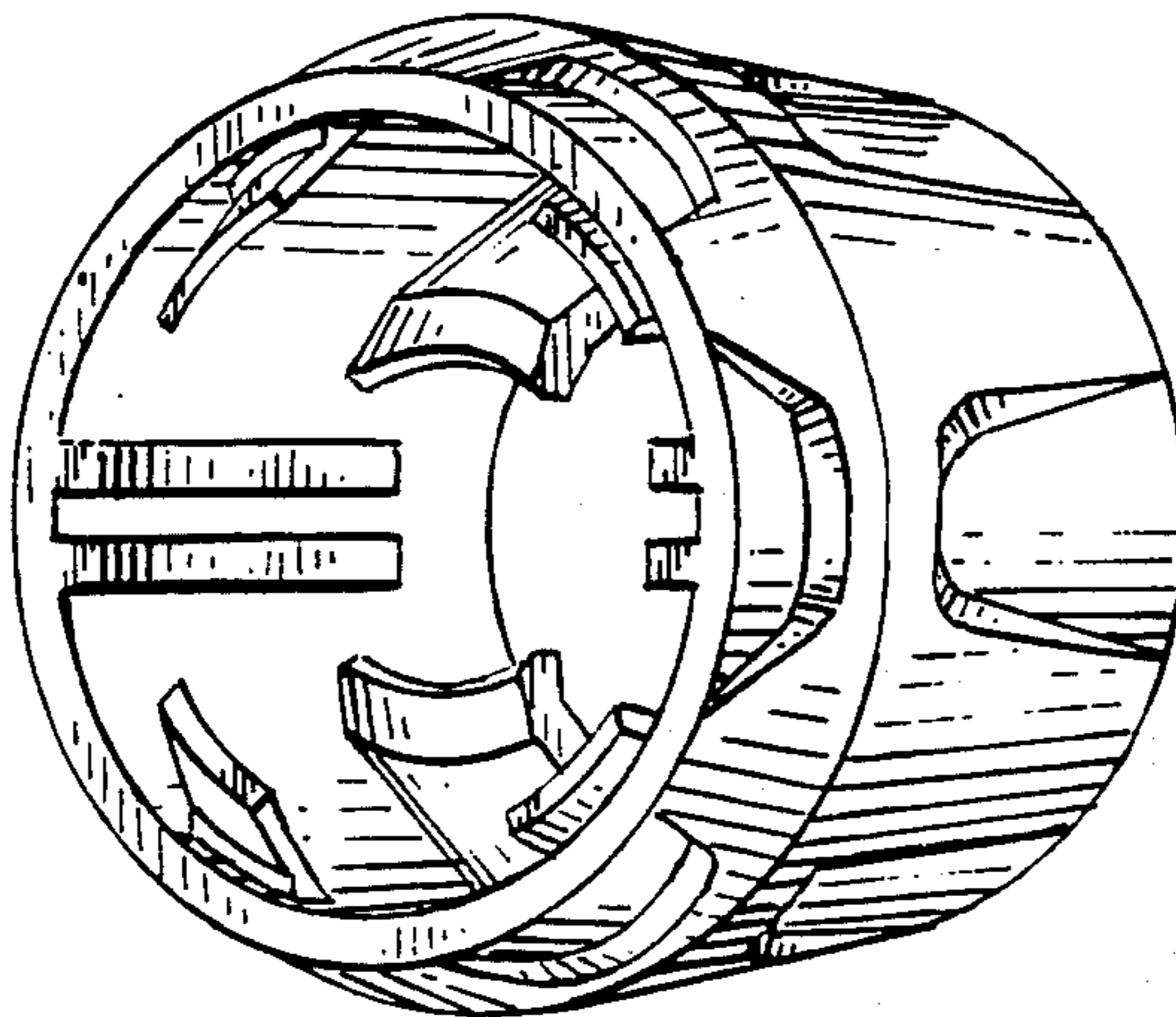


FIG. 1

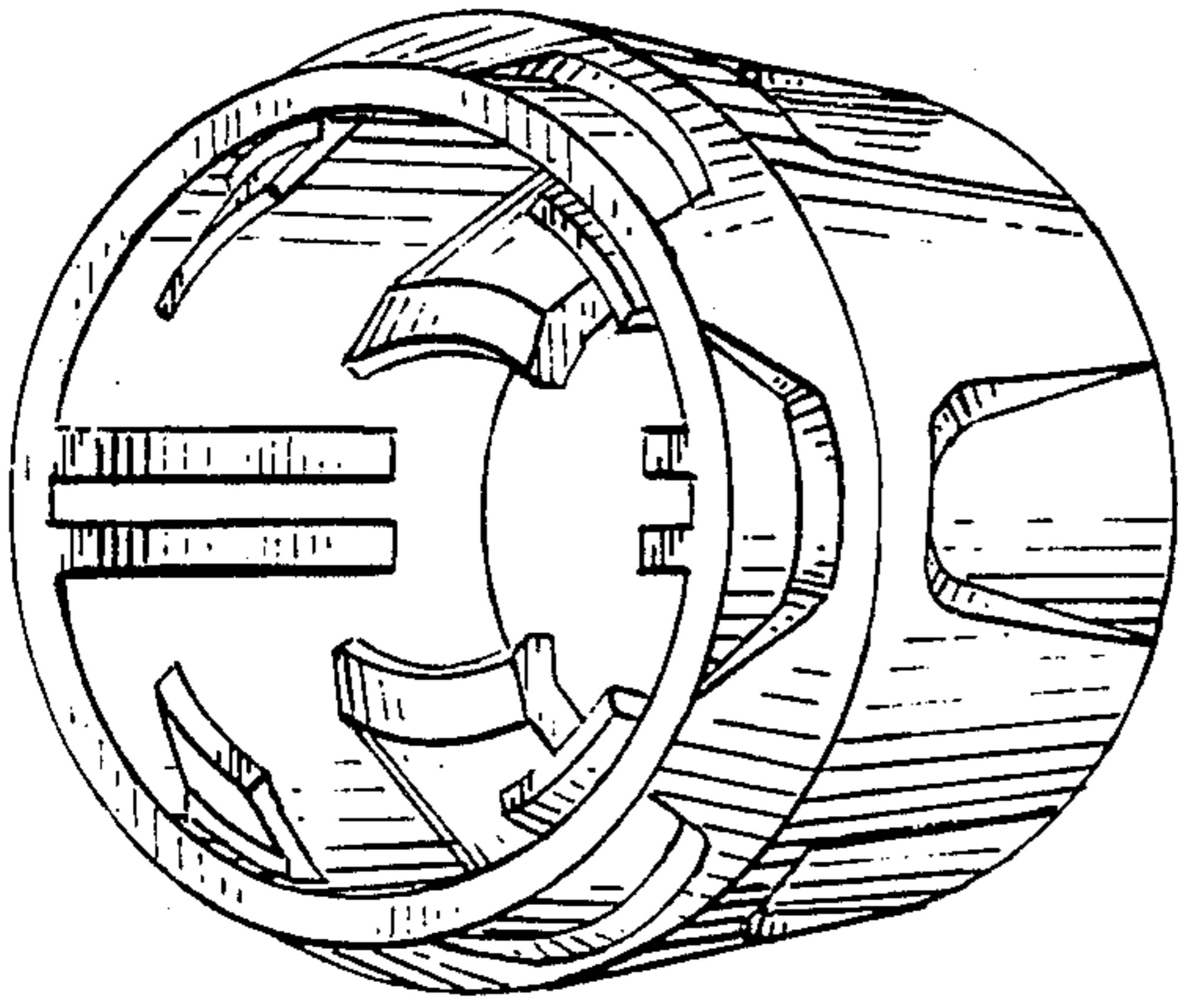


FIG. 3

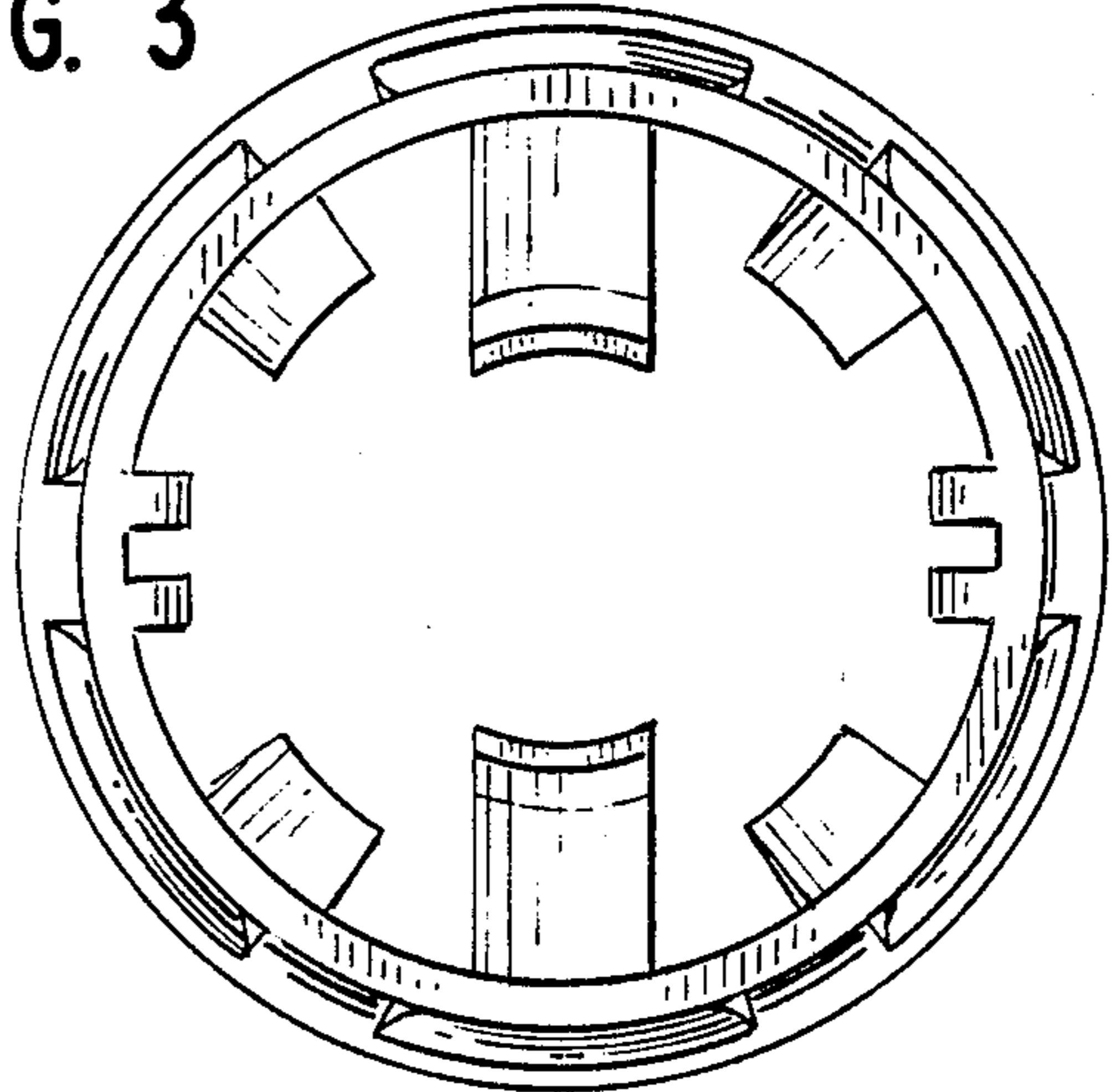


FIG. 2

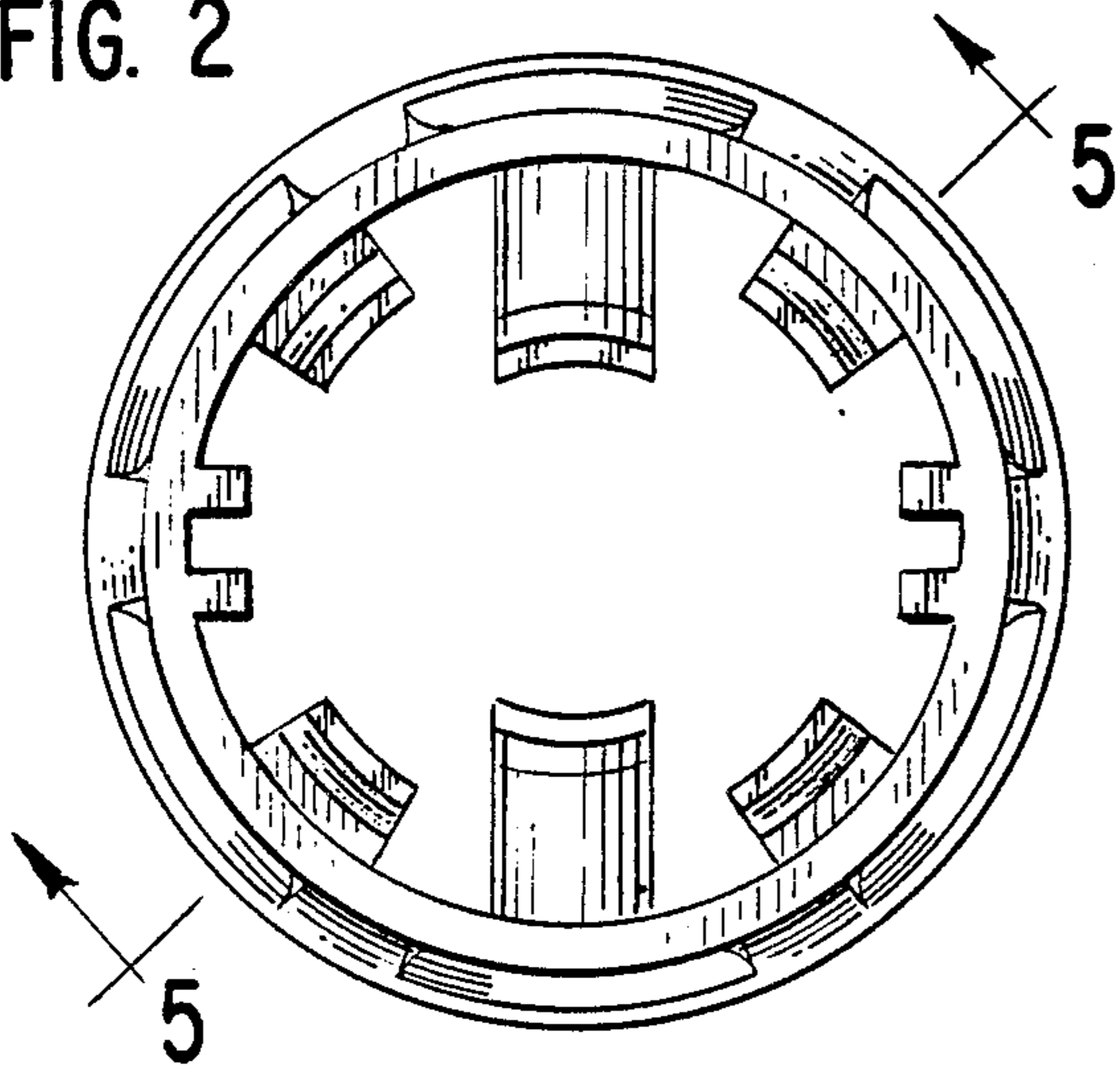


FIG. 4

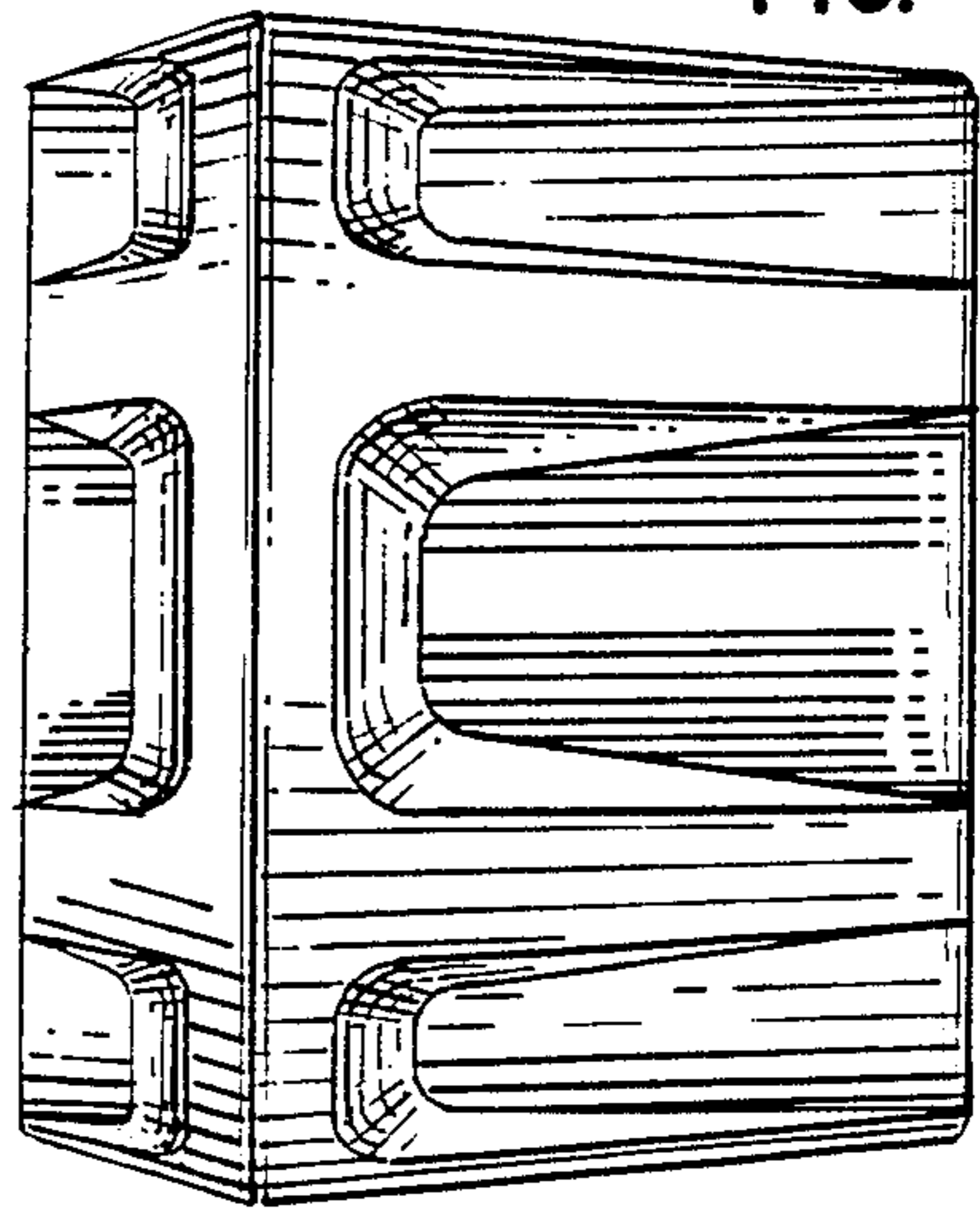


FIG. 5

