

[54] WELDING CONNECTOR FOR A CONDUIT

[75] Inventor: Ian W. M. Kirkwood, Aberdeen, Scotland

[73] Assignee: Promat Engineering Services Limited, Dundee, Scotland

[**] Term: 14 Years

[21] Appl. No.: 780,791

[22] Filed: Sep. 26, 1985

[30] Foreign Application Priority Data

Mar. 30, 1985 [GB] United Kingdom 1025876

[52] U.S. Cl. D23/262

[58] Field of Search D23/259-269; 285/189, 286, 8416

[56] References Cited

U.S. PATENT DOCUMENTS

- D. 243,456 2/1977 Ryan D23/262
- D. 243,457 2/1977 Ryan D23/262
- D. 254,266 2/1980 Tableriou D23/262

- D. 262,397 12/1981 Ryan D23/262
- D. 266,351 9/1982 Schneider et al. D23/264
- D. 267,505 1/1983 Ryan D23/262
- 1,901,201 3/1933 Taylor 285/286 X
- 3,254,909 6/1966 VerNooy 285/189
- 4,403,795 9/1983 Davlin 285/416 X
- 4,438,955 3/1984 Ryan 285/189

Primary Examiner—James R. Largen
Attorney, Agent, or Firm—Mason, Fenwick & Lawrence

[57] CLAIM

The ornamental design of a welding connector for a conduit, as shown.

DESCRIPTION

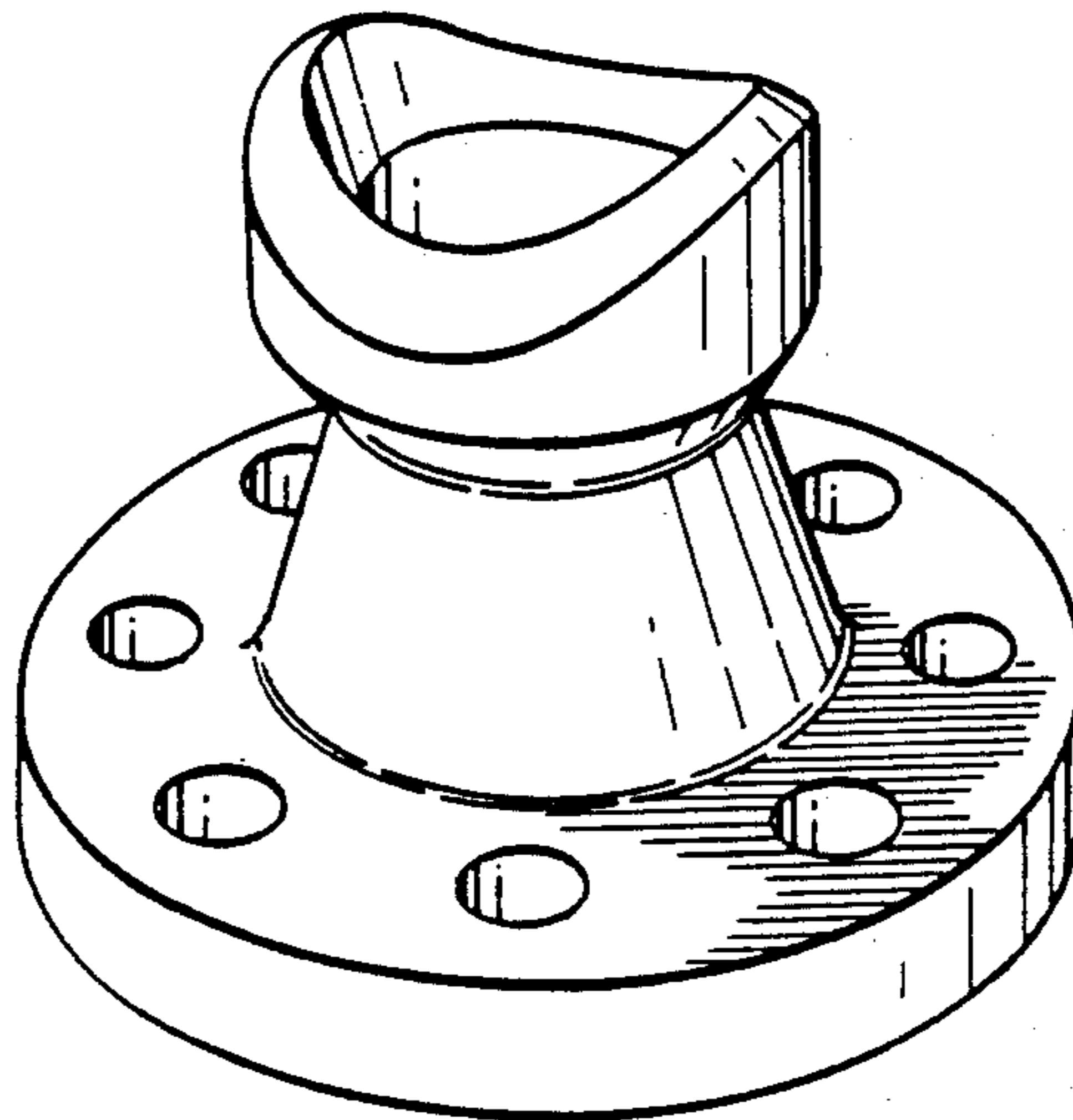
FIG. 1 is a perspective view taken from the bottom and one side of a welding connector for a conduit showing my new design;

FIG. 2 is a perspective view taken from the top and a side 90 degrees from the side shown in FIG. 1;

FIG. 3 is an elevational view of the side shown in FIG. 1, the opposite side being the same as the side shown;

FIG. 4 is a top plan view thereof; and

FIG. 5 is a bottom view thereof.



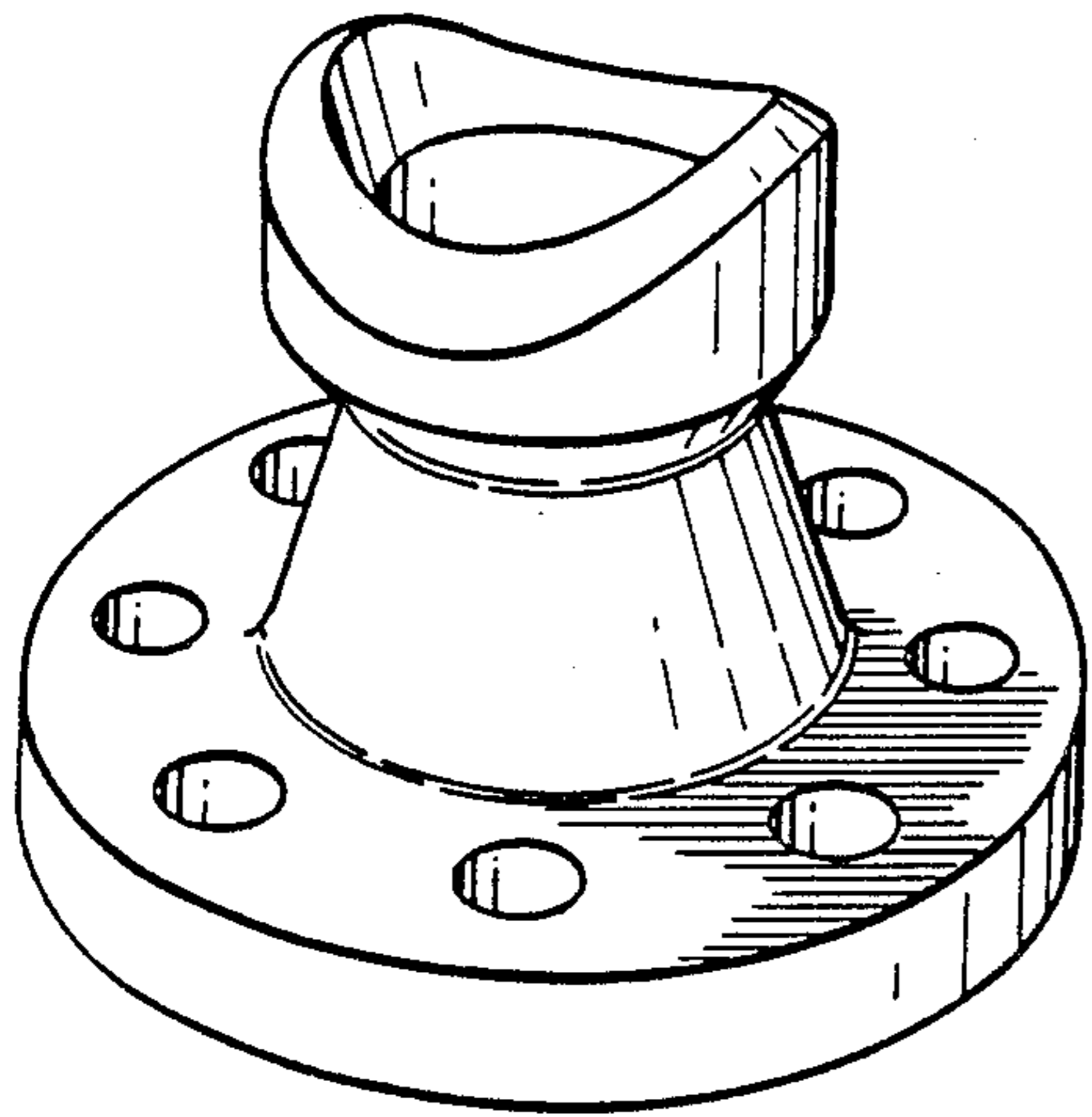


Fig. 1

Fig. 4

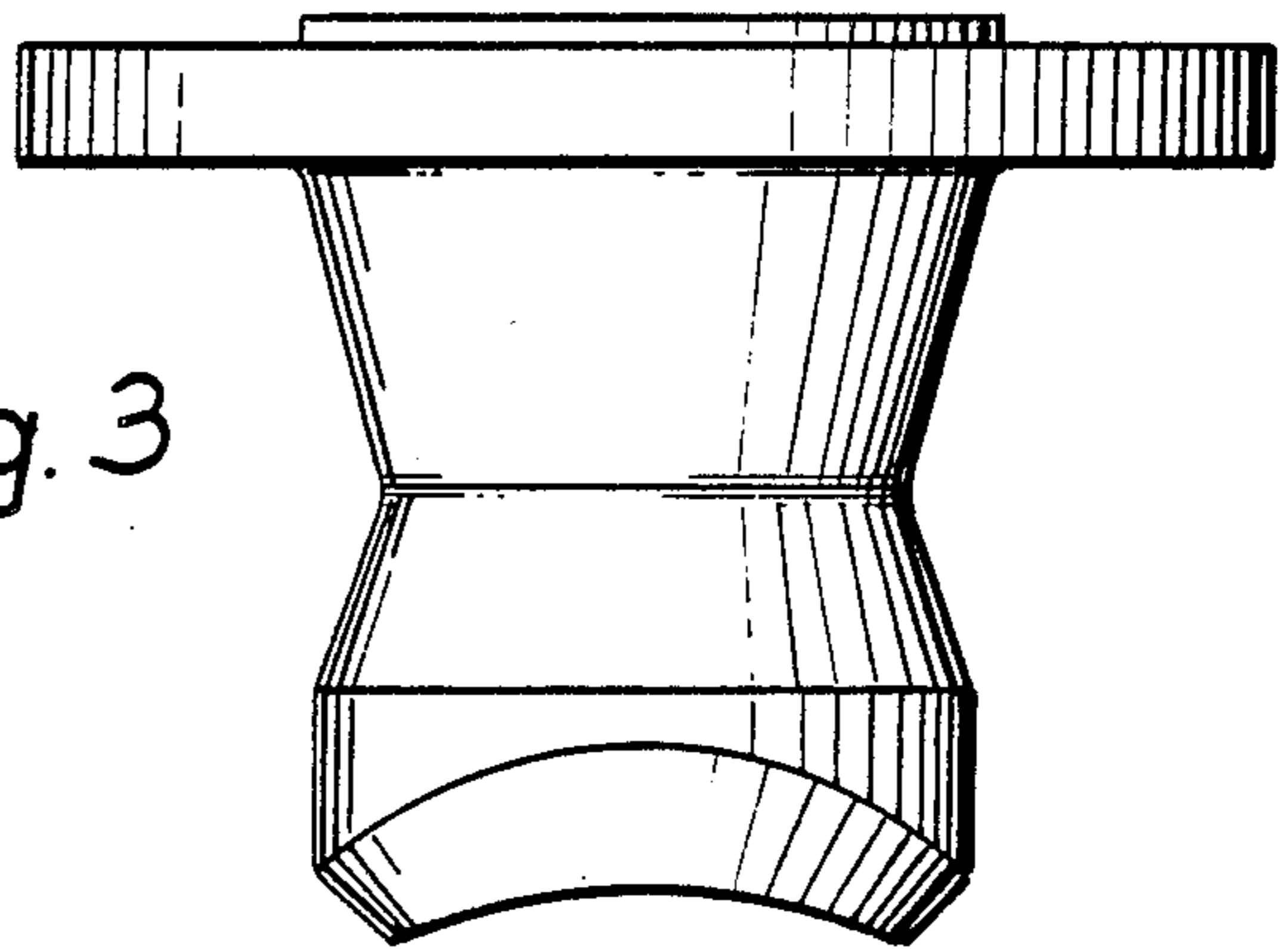
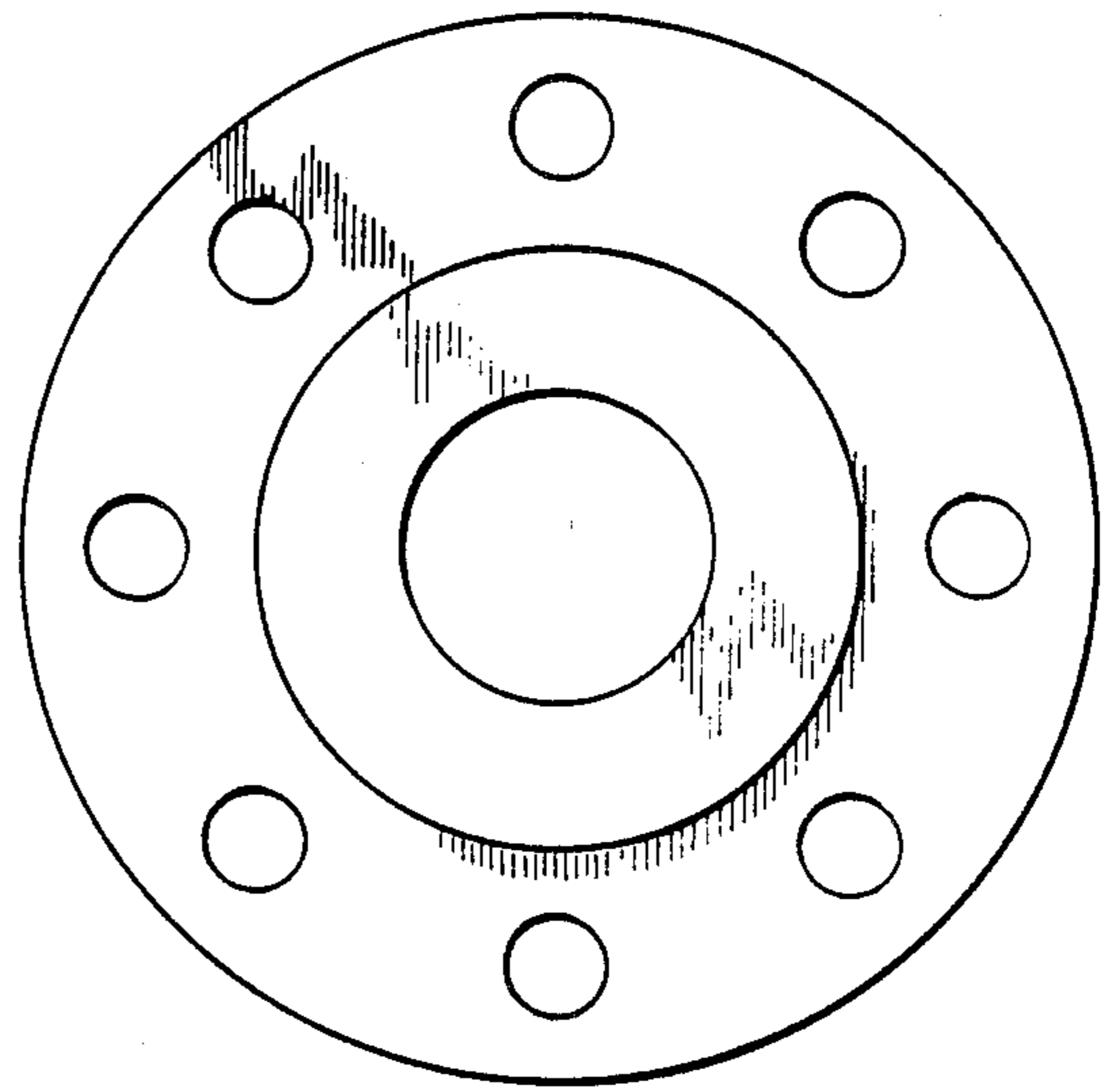


Fig. 3

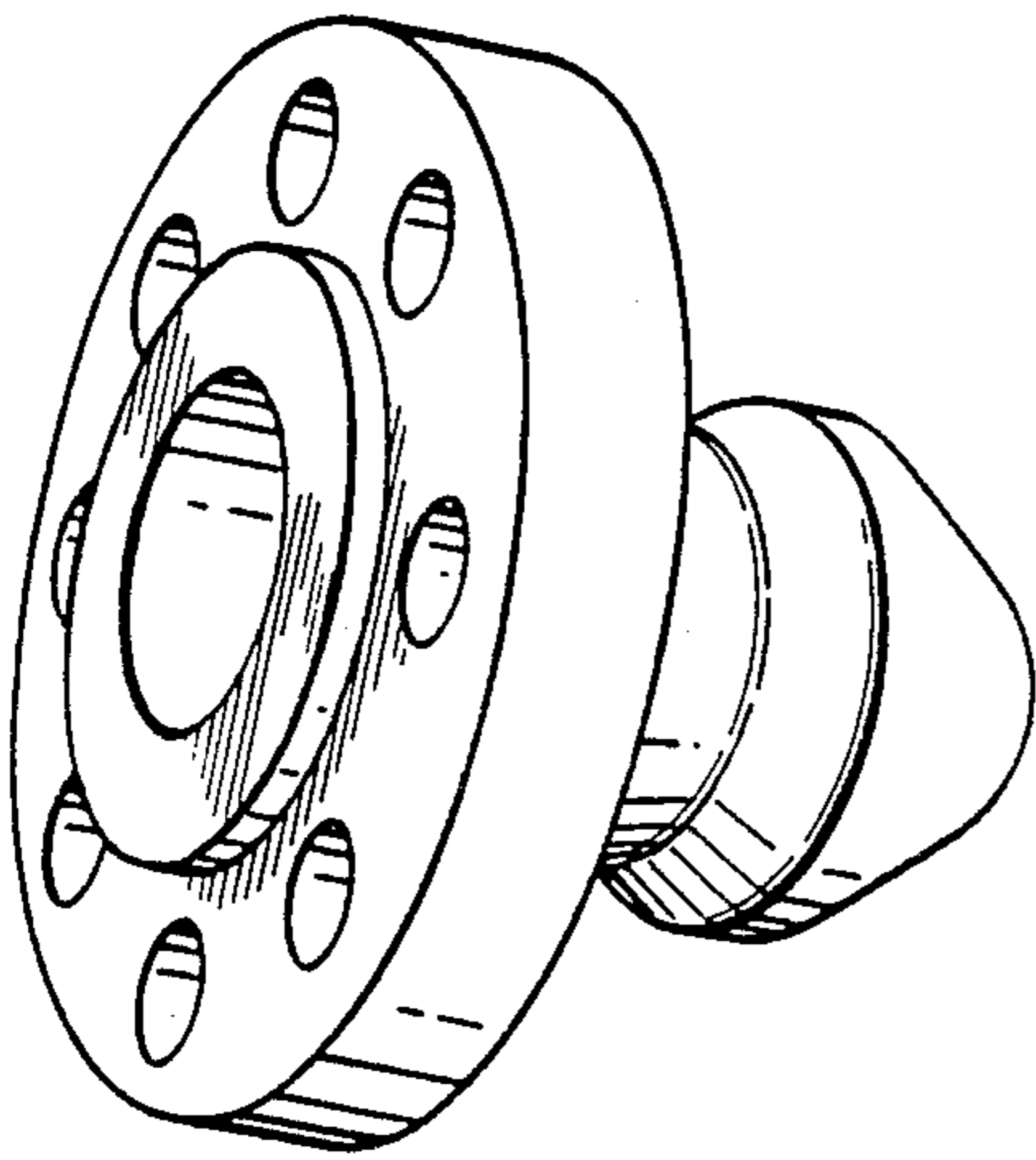


Fig. 2

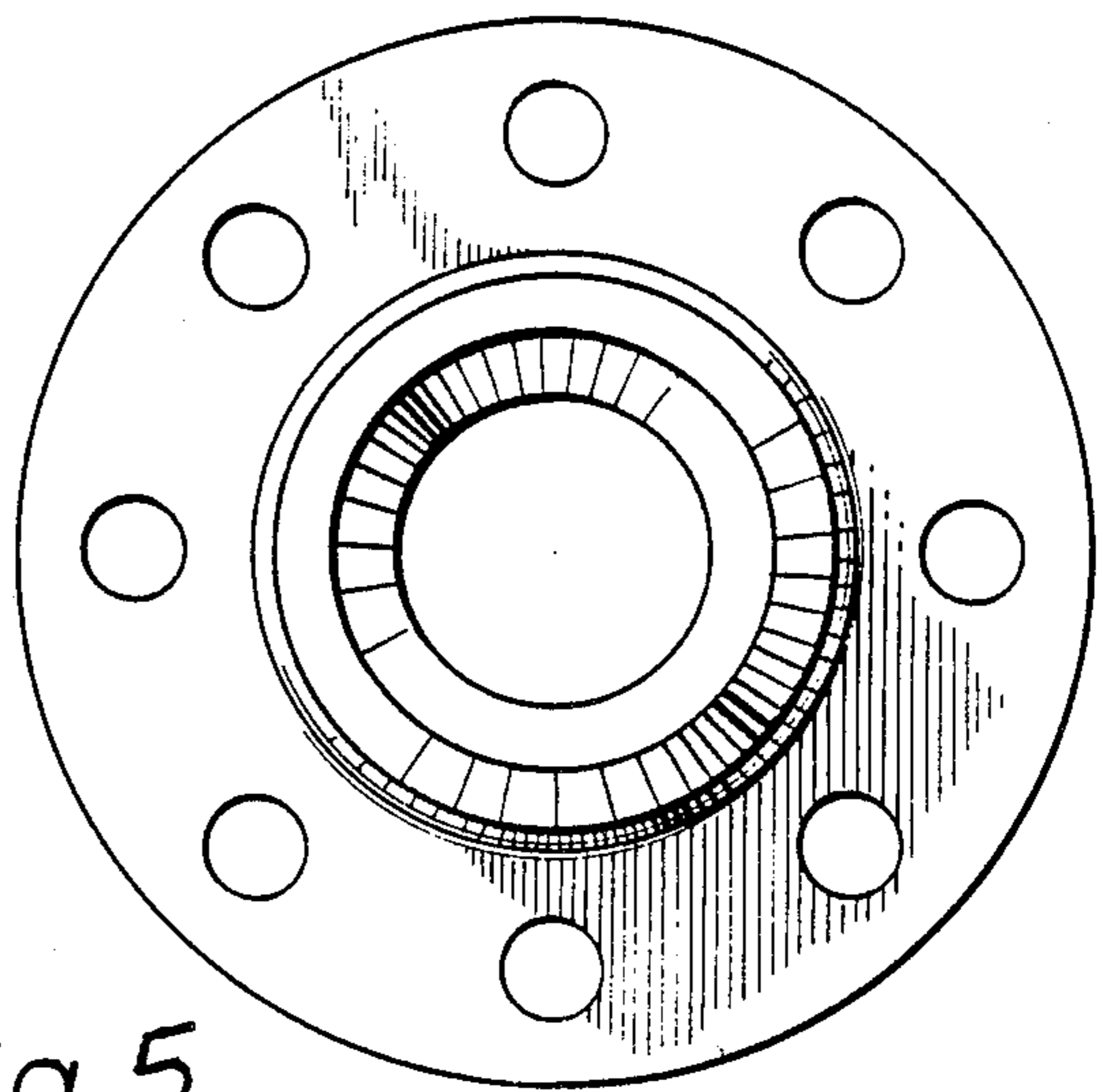


Fig. 5