

[54] RING NUT FOR GARDEN HOSE CONNECTOR

[75] Inventor: Kenneth Hattori, Bensenville, Ill.

[73] Assignee: Suncoast Corporation, Batavia, Ill.

[**] Term: 14 Years

[21] Appl. No.: 816,575

[22] Filed: Jan. 6, 1986

[52] U.S. Cl. D23/262

[58] Field of Search D23/259-269;
285/242, 245, 246, 247

D. 254,802	4/1980	Hayes	D23/262
D. 265,418	7/1982	Chow et al.	D23/262
D. 274,453	6/1984	Hayes	D23/262
2,853,320	9/1958	Liebelt et al.	285/247

Primary Examiner—James R. Largen
Attorney, Agent, or Firm—Fitch, Even, Tabin & Flannery

[57] CLAIM

The ornamental design for ring nut for garden hose connector, substantially as shown and described.

DESCRIPTION

FIG. 1 is a front perspective view of a ring nut for a garden hose connector showing my new design; FIG. 2 is a rear perspective view thereof; FIG. 3 is a front elevational view thereof; FIG. 4 is a side elevational view thereof, the other sides being the same as the side shown; and FIG. 5 is a rear elevational view thereof.

[56] References Cited
U.S. PATENT DOCUMENTS

D. 44,178	6/1913	McMurtrie	D23/262
D. 118,575	1/1940	Thomas, Jr.	D23/262
D. 122,386	9/1940	Cafiero	D23/259
D. 187,578	3/1960	Moffatt	D23/262

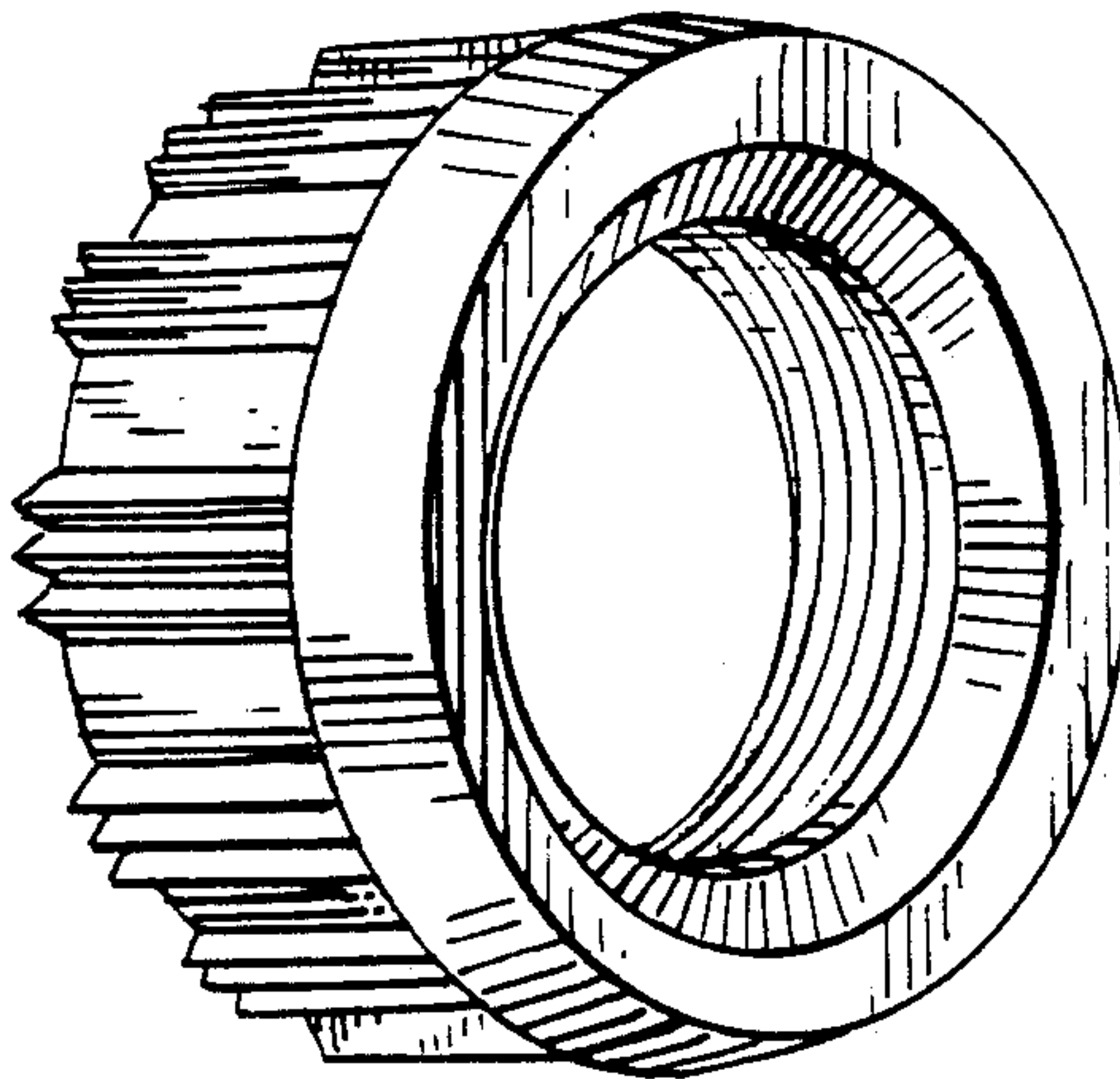


Fig. 1.

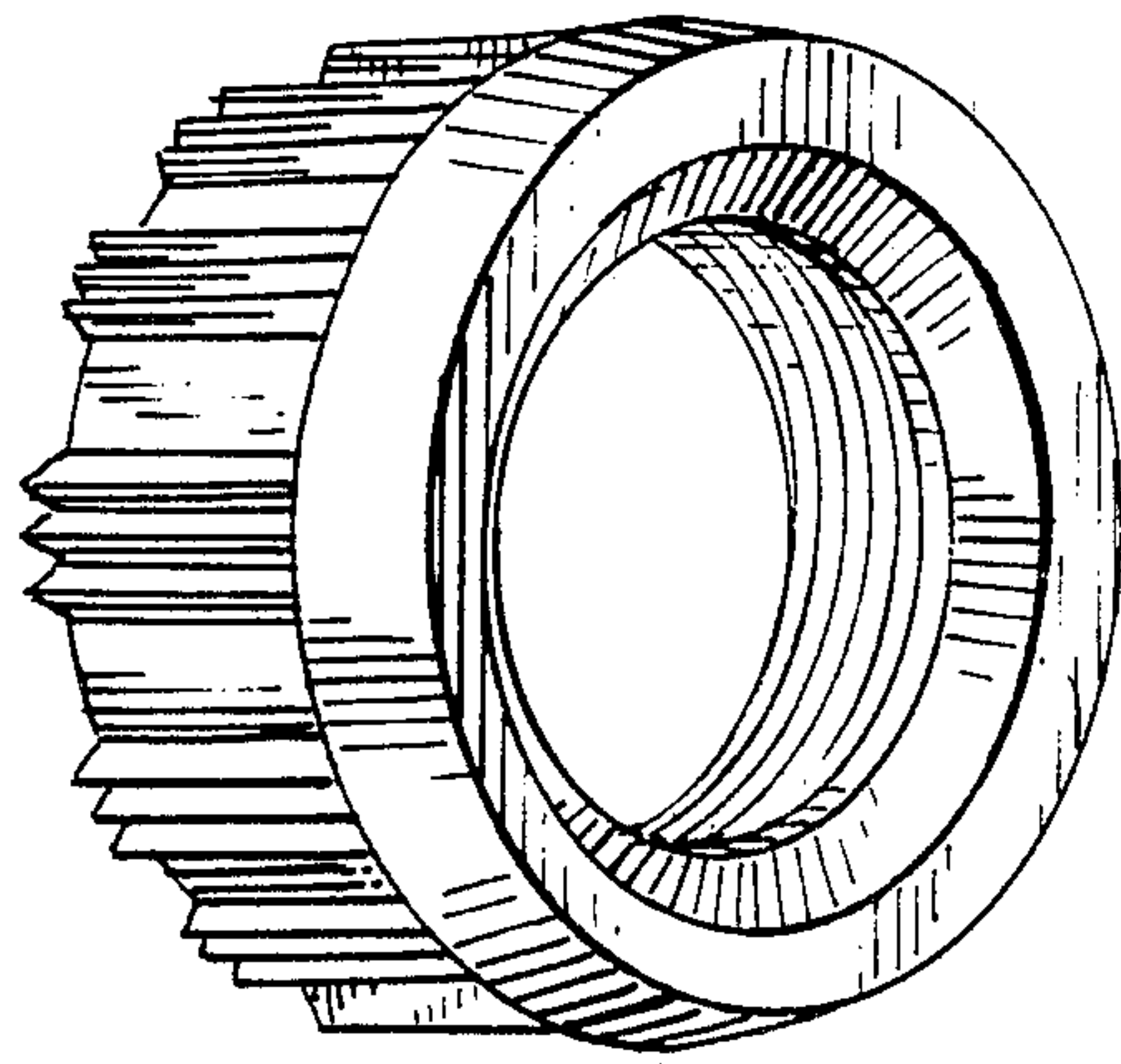


Fig. 2.

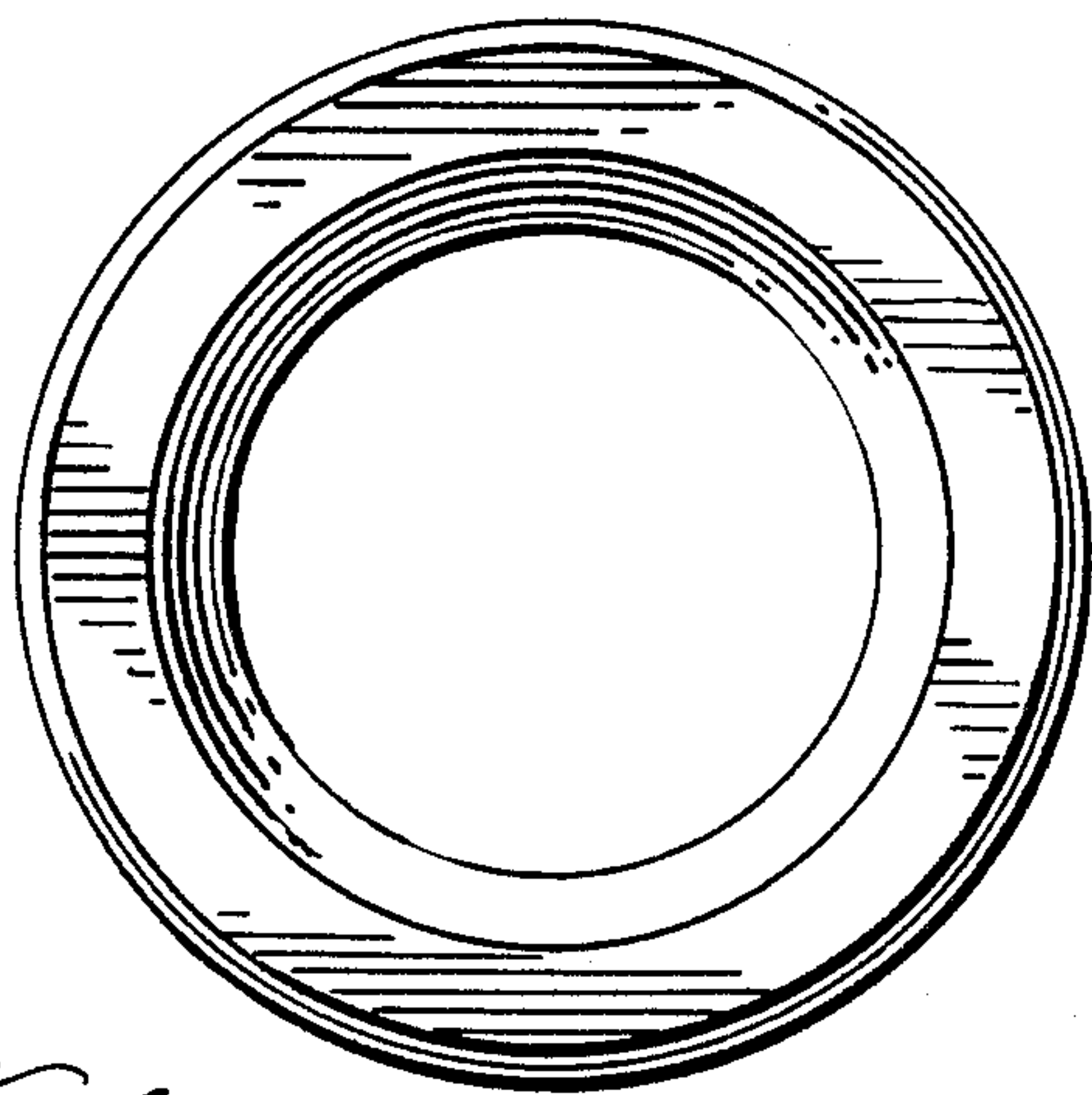
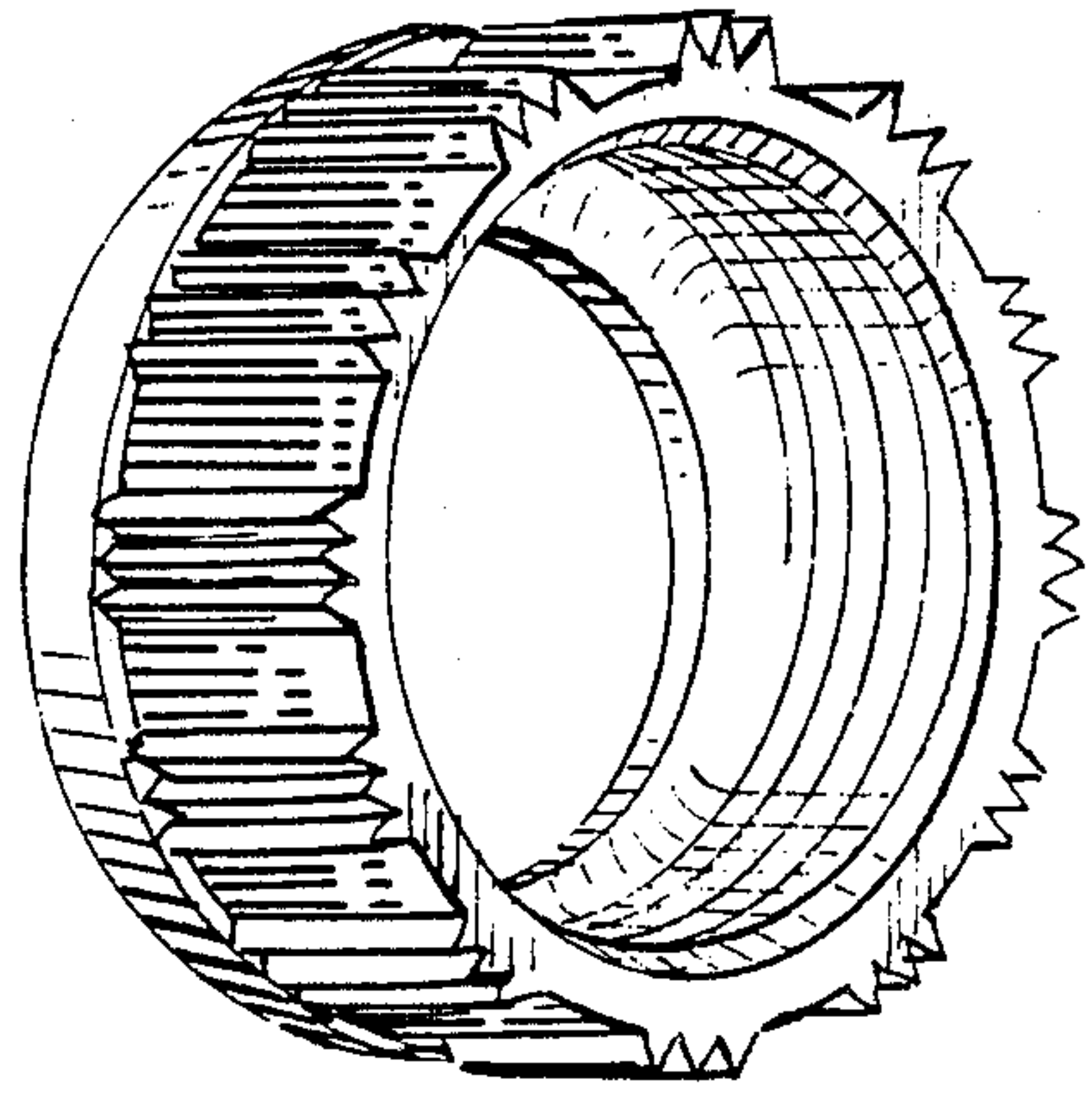


Fig. 3.

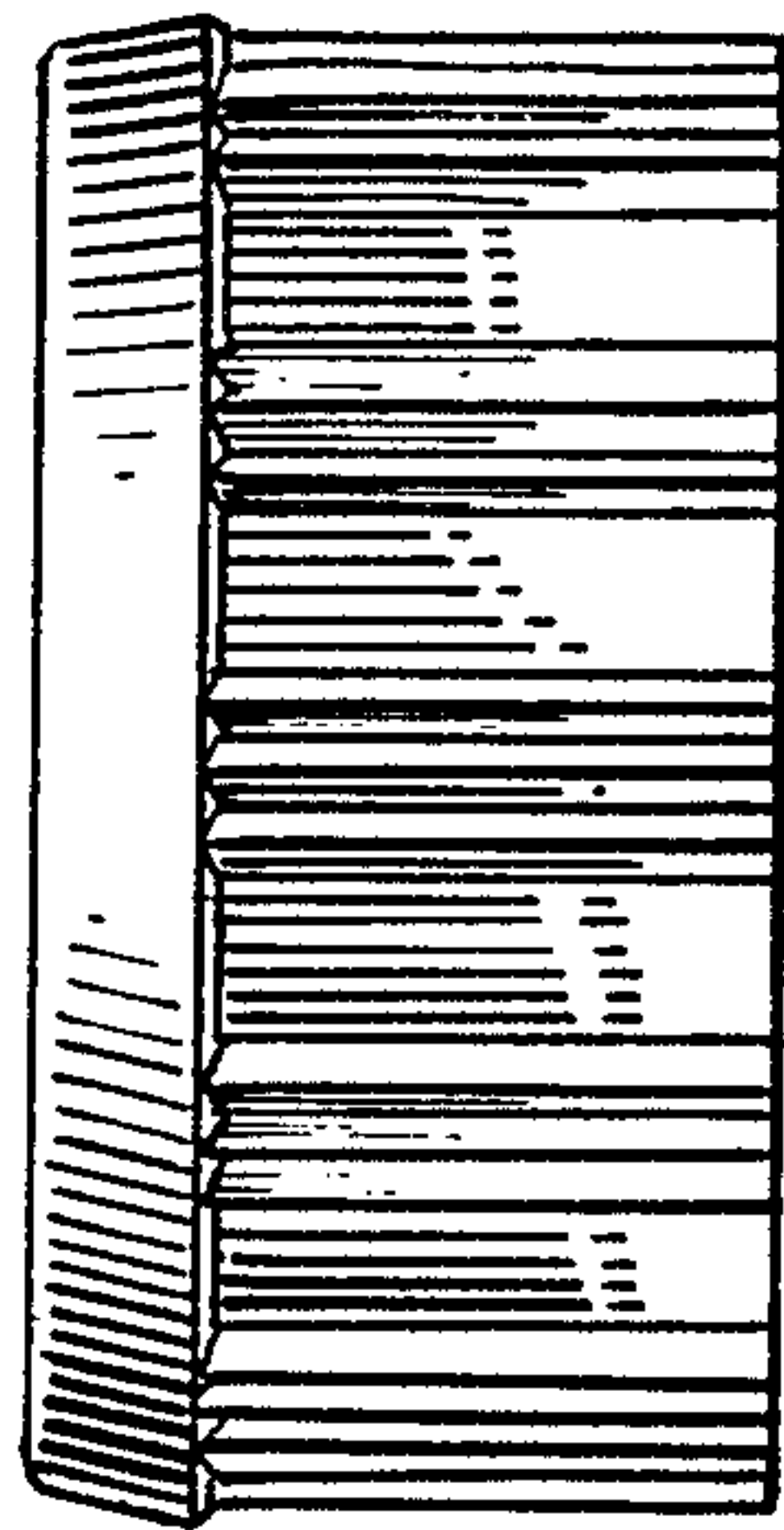


Fig. 4.

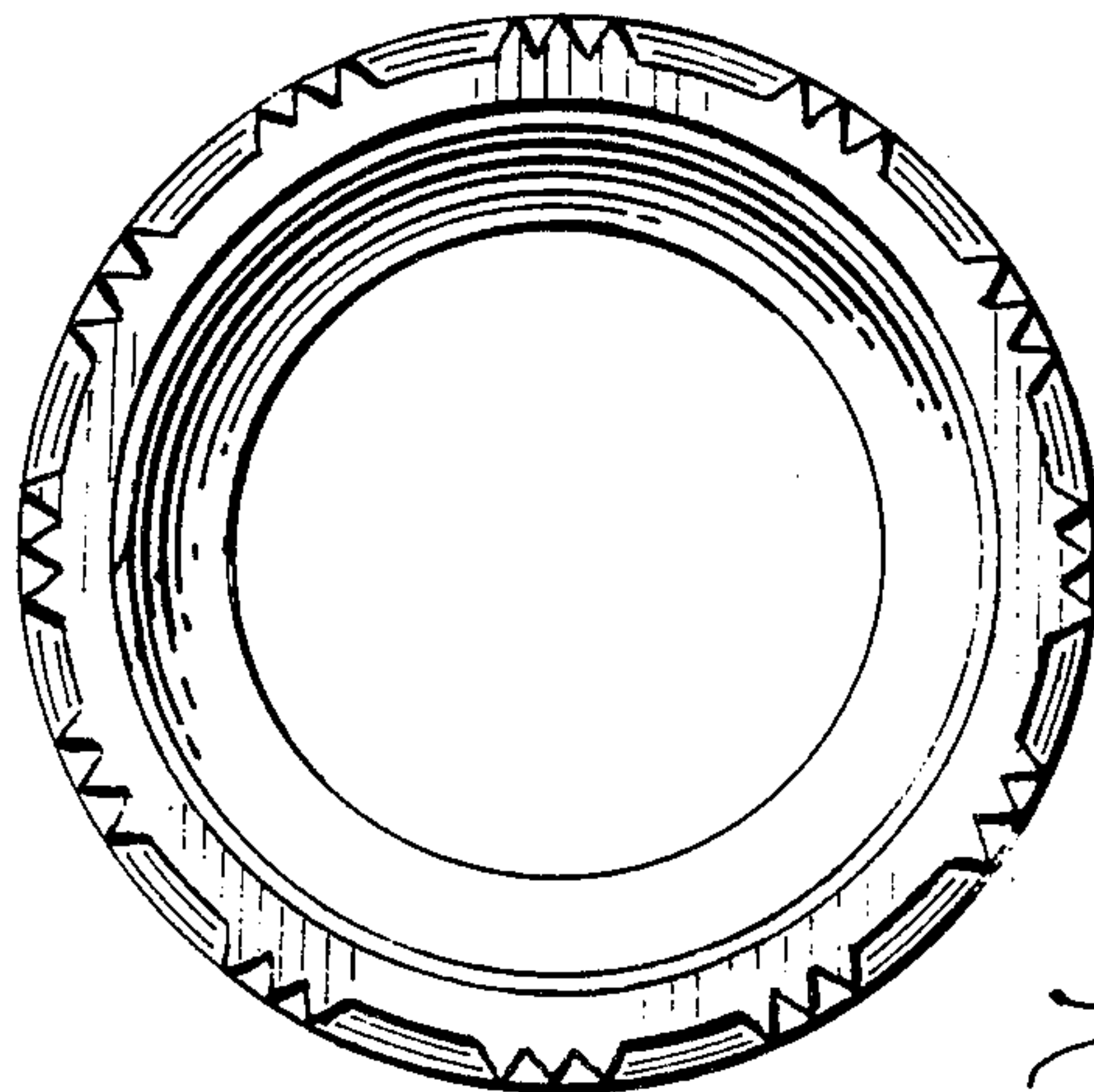


Fig. 5.