

[54] **COMBINED MAIN BEAM AND ROLLER CARRIAGE FOR A ROWING MACHINE**

[76] **Inventor: Ronald A. McNeil, P.O. Box 1127, Havana, Fla. 32333**

[**] **Term: 14 Years**

[21] **Appl. No.: 714,796**

[22] **Filed: Mar. 22, 1985**

[52] **U.S. Cl. D21/191**

[58] **Field of Search D25/75, 77; D21/194, D21/195, 191; 272/72, 143, 144, 145, 134, 79**

[56] **References Cited**

U.S. PATENT DOCUMENTS

D. 287,388 12/1986 Cheng D21/195
2,725,832 12/1955 Huntington D25/75
3,545,496 12/1970 Wogerbauer D25/75

OTHER PUBLICATIONS

Schwinn Fitness Equipment catalog ©1984, "RM-1000" Exercise Rowing Machine.

Primary Examiner—Charles A. Rademaker
Attorney, Agent, or Firm—Shlesinger, Arkwright & Garvey

[57] **CLAIM**

The ornamental design for a combined main beam and roller carriage for a rowing machine, as shown and described.

DESCRIPTION

FIG. 1 is a perspective view of a combined main beam and roller carriage for a rowing machine showing my new design;

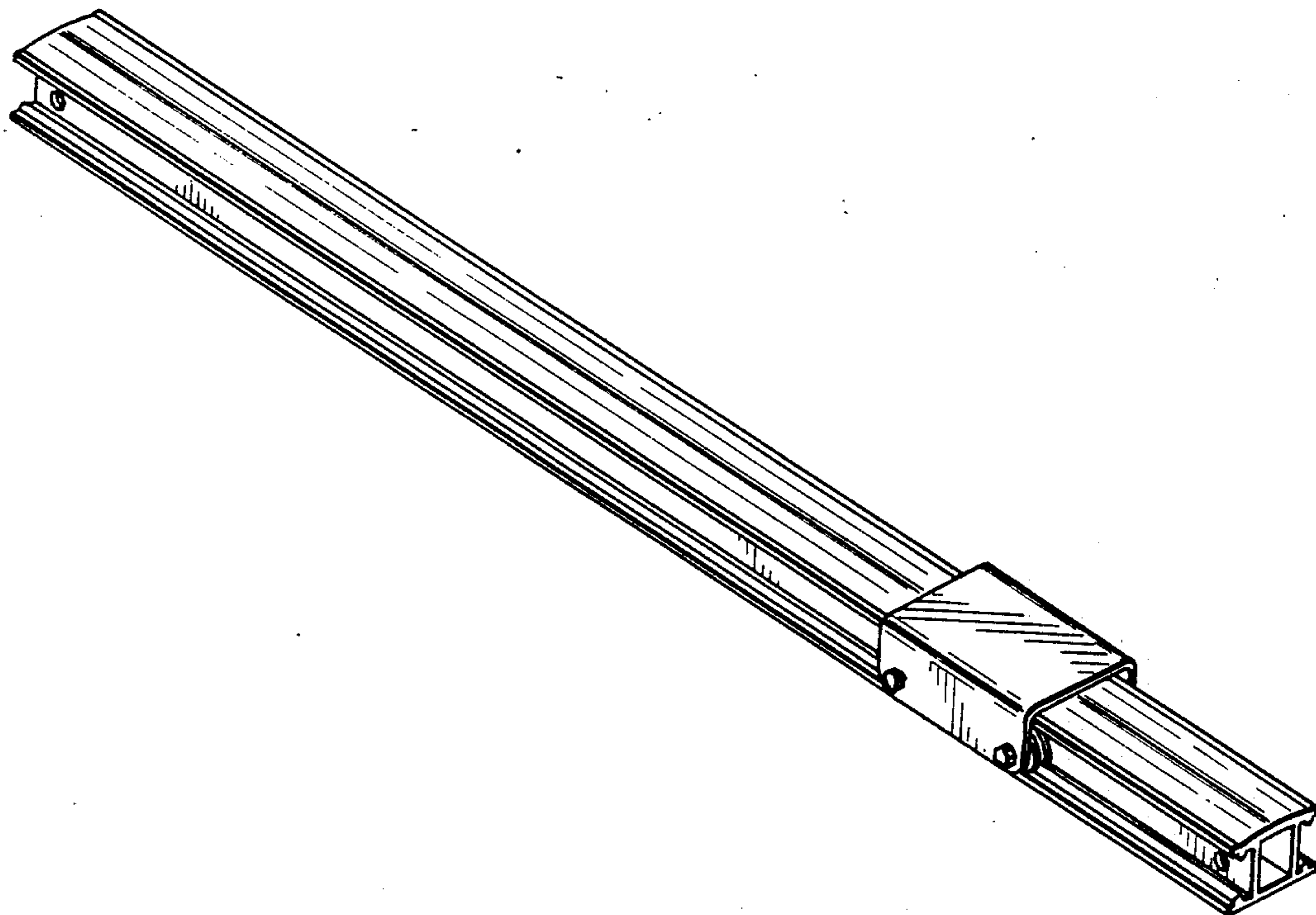
FIG. 2 is a front elevational view thereof;

FIG. 3 is a top plan view thereof;

FIG. 4 is a right side elevational view thereof, the side opposite being a mirror image;

FIG. 5 is a bottom plan view thereof.

Portions of FIGS. 3, 4, and 5 have been shown in fragment for ease of illustration.



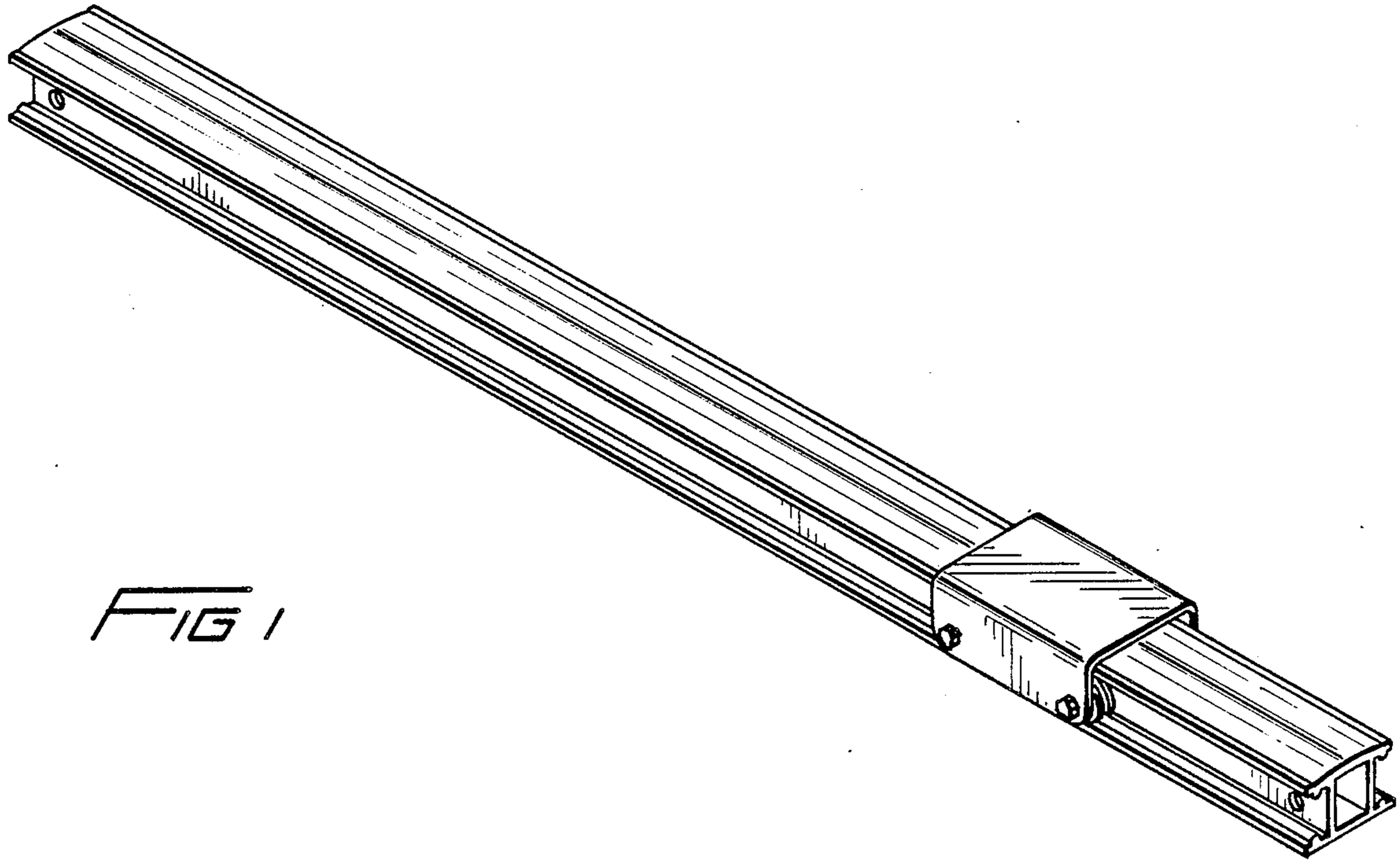


FIG 1

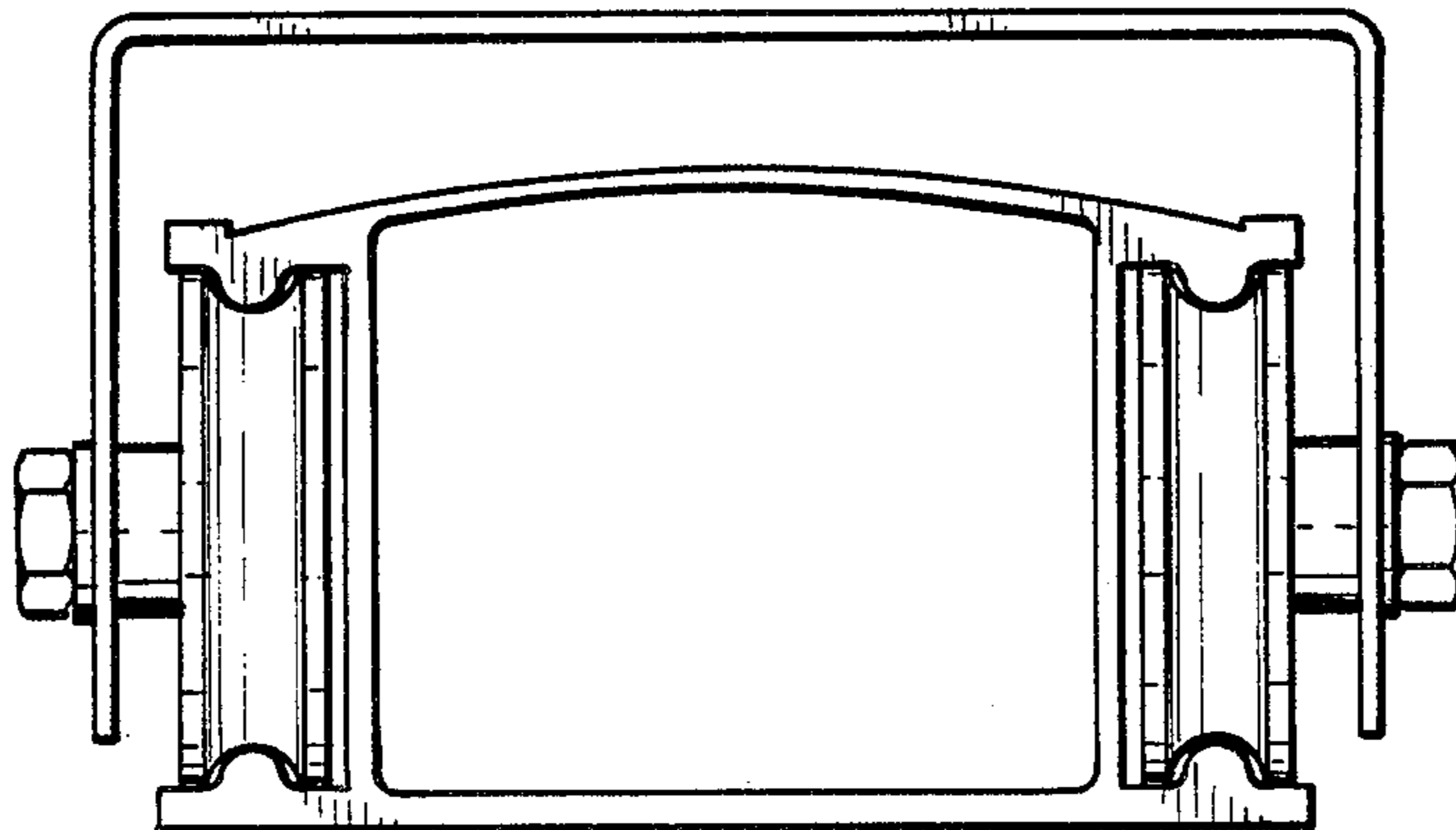


FIG 2

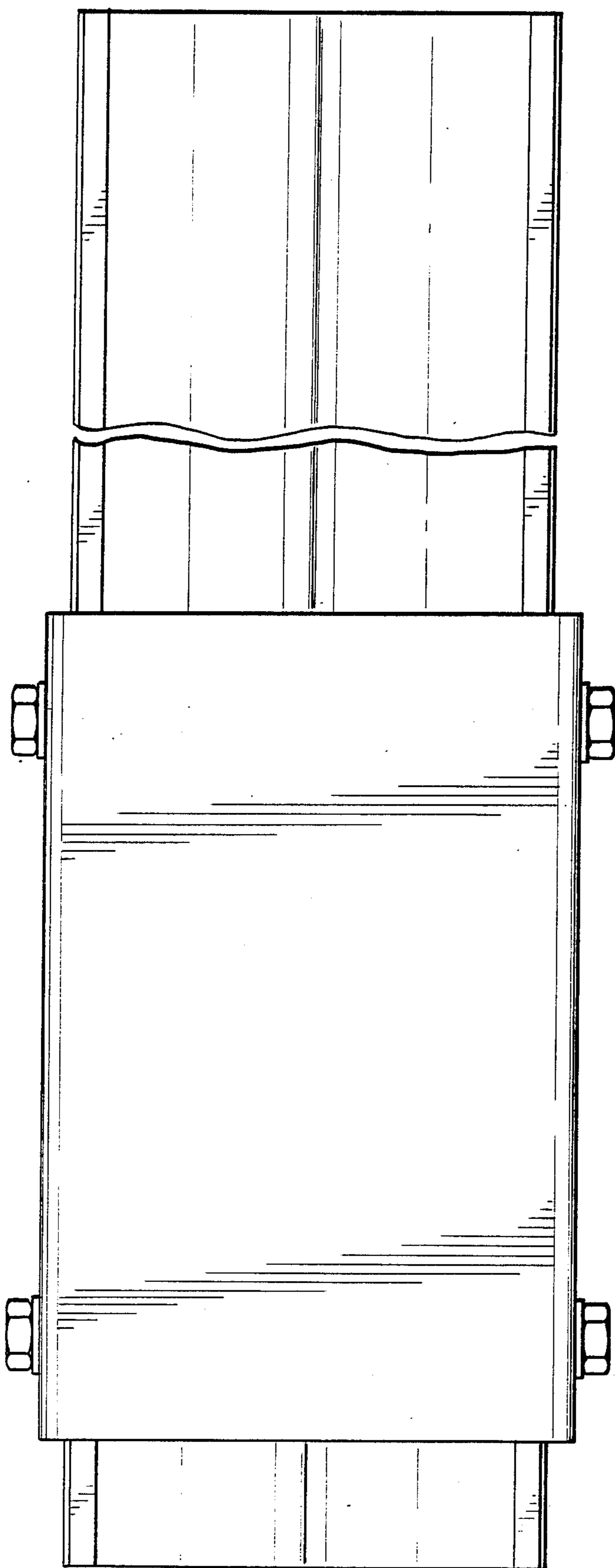


FIG 4

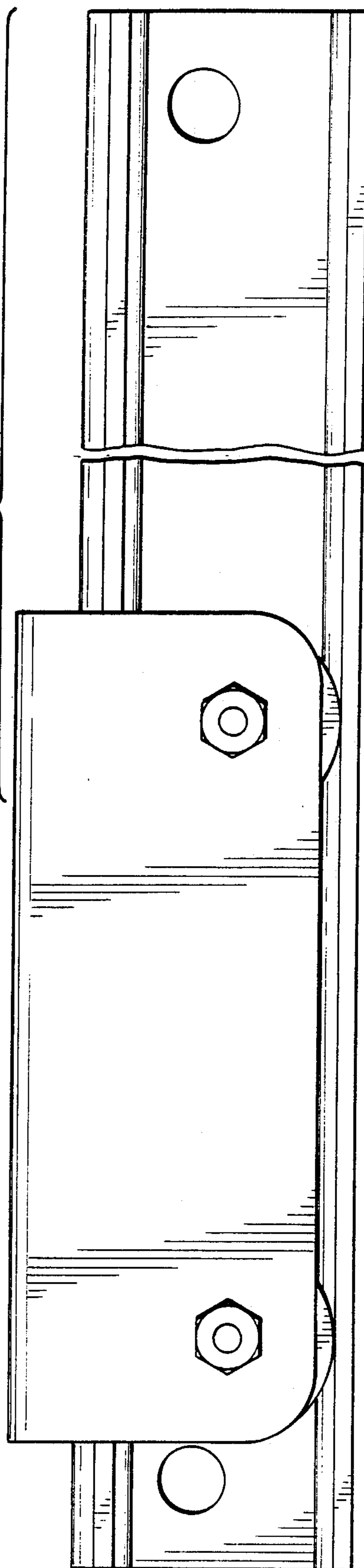


FIG 3

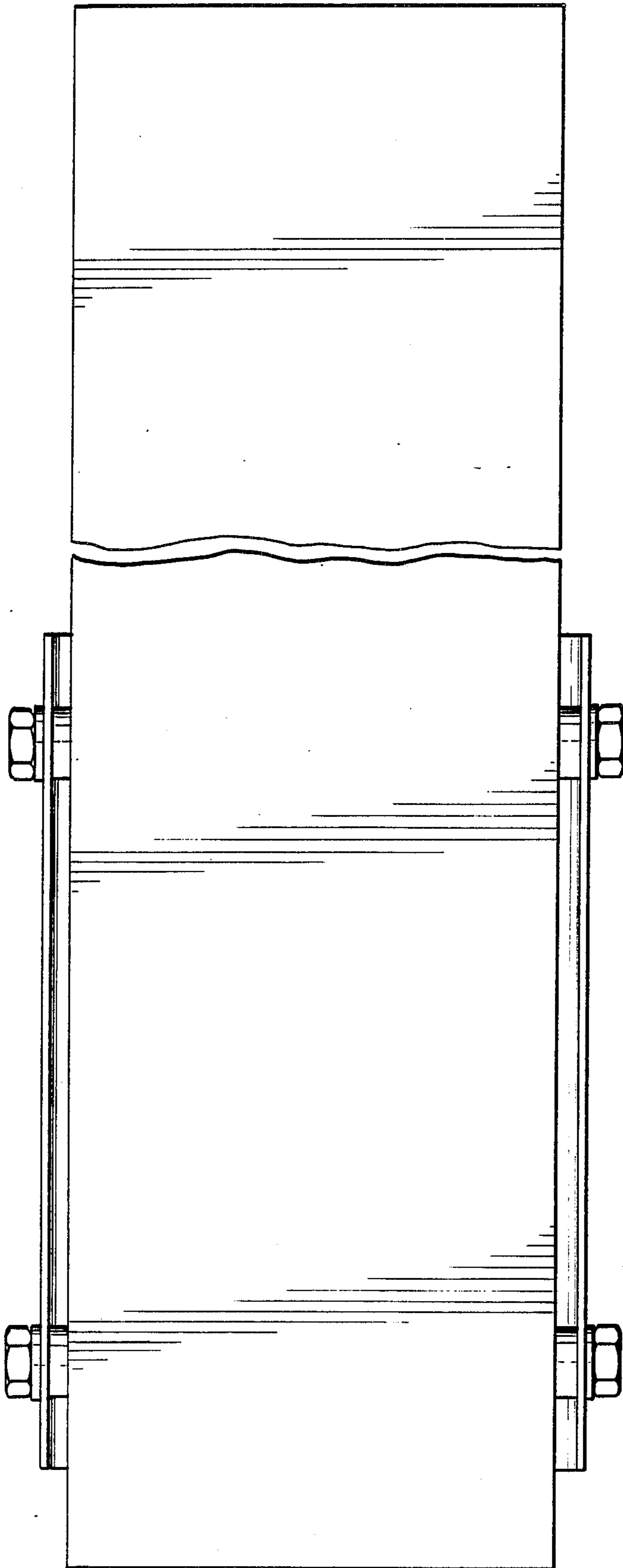


FIG 5