

United States Patent [19]

Muramatsu

[11] Patent Number: **Des. 296,567**

[45] Date of Patent: **** Jul. 5, 1988**

[54] **HANGING BOARD CALENDAR**

[76] Inventor: **Elsie T. Muramatsu, P.O. Box 3659,
Santa Monica, Calif. 90403**

[**] Term: **14 Years**

[21] Appl. No.: **579,693**

[22] Filed: **Feb. 13, 1984**

[52] U.S. Cl. **D19/20; D19/25;
D20/42**

[58] Field of Search **D19/20-25;
D20/10, 17, 27, 41, 42; 40/107, 120, 617, 623,
607, 585**

[56] **References Cited**

U.S. PATENT DOCUMENTS

1,348,245 8/1920 Siewenie 40/417

1,418,144 5/1922 Fetters 40/417
1,478,511 12/1923 Fetters 40/417
1,785,449 12/1930 Kahn 40/417
2,785,487 3/1957 Hopp 40/607

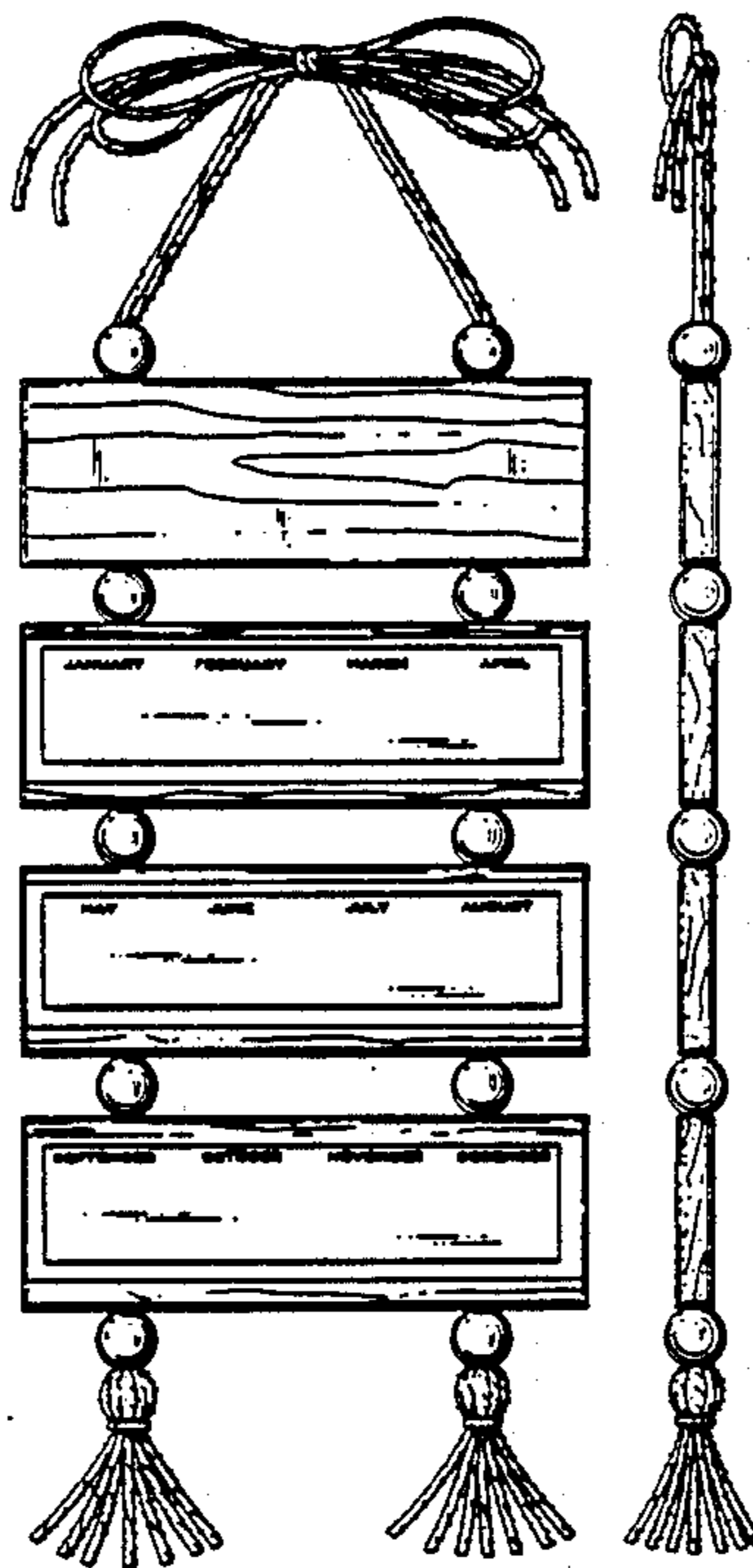
Primary Examiner—George P. Word
Attorney, Agent, or Firm—Kelly, Bauersfeld & Lowry

[57] **CLAIM**

The ornamental design for a hanging board calendar, substantially as shown.

DESCRIPTION

FIG. 1 is a front elevational view of a hanging board calendar showing my new design;
FIG. 2 is a left side elevational view thereof;
FIG. 3 is a perspective view thereof;
FIG. 4 is a top plan view thereof; and,
FIG. 5 is a bottom plan view thereof.



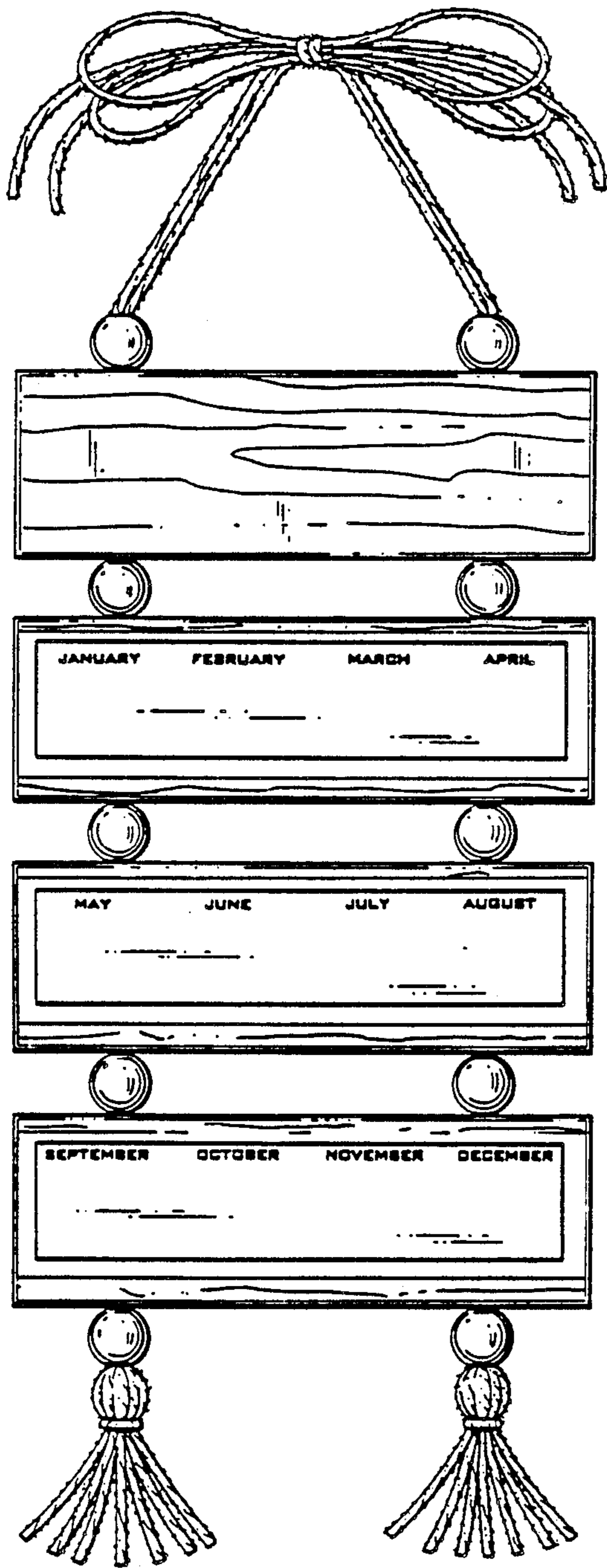


FIG. 1

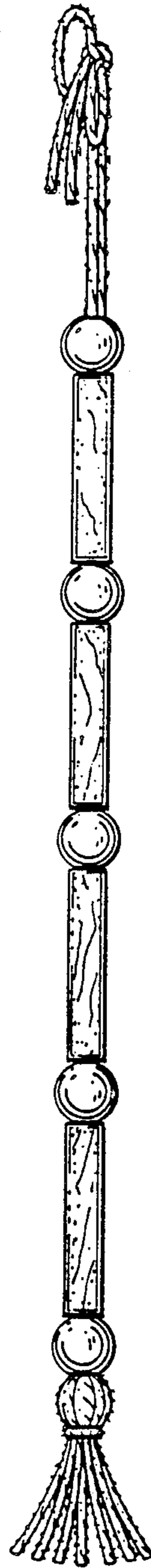


FIG. 2

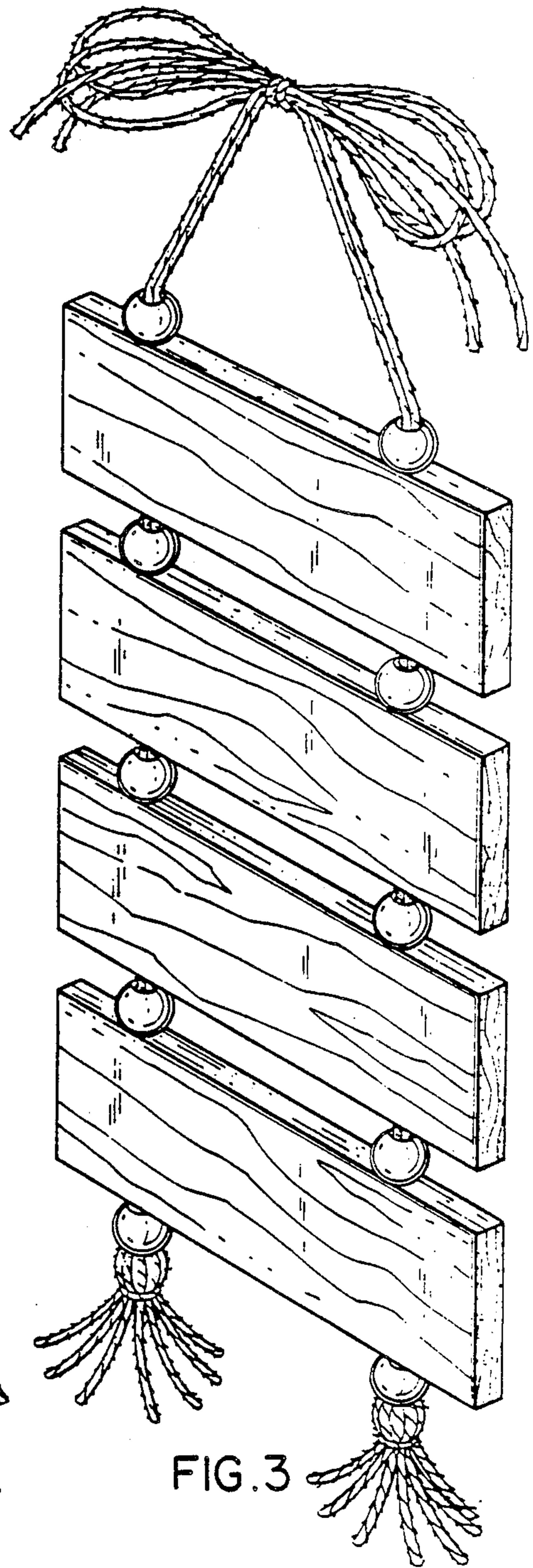


FIG. 3



FIG. 4



FIG. 5