

[54] PAPER BINDING MACHINE

[75] Inventor: Katsumi Hori, Tokyo, Japan

[73] Assignee: Plus Corporation, Tokyo, Japan

[**] Term: 14 Years

[21] Appl. No.: 852,895

[22] Filed: Apr. 16, 1986

[52] U.S. Cl. D18/34; D8/49

[58] Field of Search D18/14, 22, 34, 99;
281/21 A; 412/20, 38, 93, 900, 902; D8/49;
227/150, 154

[56] References Cited

U.S. PATENT DOCUMENTS

D. 53,072	3/1919	Hutchison	D8/49
D. 238,000	12/1975	Patla	D18/34
D. 263,970	4/1982	Wiholm	D18/34
3,055,009	9/1962	March	227/150
4,178,201	12/1979	Power et al.	412/20 X

Primary Examiner—Louis S. Zarfes
Attorney, Agent, or Firm—McAulay, Fields, Fisher,
Goldstein & Nissen

[57] CLAIM

The ornamental design for a paper binding machine, as shown and described.

DESCRIPTION

FIG. 1 is a right side view of a paper binding machine, showing my new design;
FIG. 2 is a left side view thereof;
FIG. 3 is a rear elevational view thereof;
FIG. 4 is a front elevational view thereof;
FIG. 5 is a top plan view thereof;
FIG. 6 is a bottom plan view thereof;
FIG. 7 is a perspective view thereof, as seen from the front and right; and
FIG. 8 is a view similar to FIG. 1 illustrating sheets of paper received in the machine.
The broken line showing of sheets of paper in FIG. 8 is for illustrative purposes only and forms no part of the claimed design.

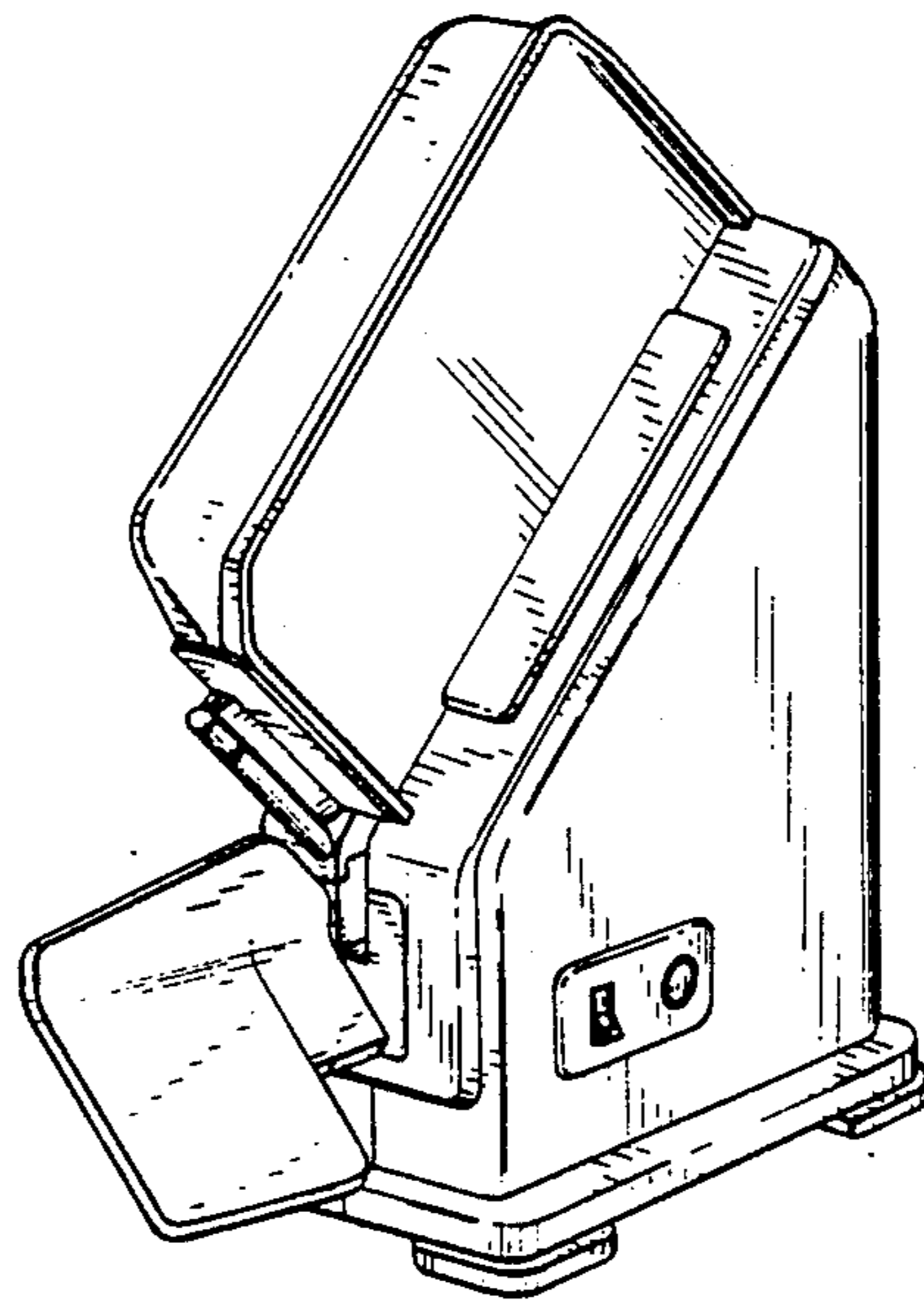


FIG. 5.

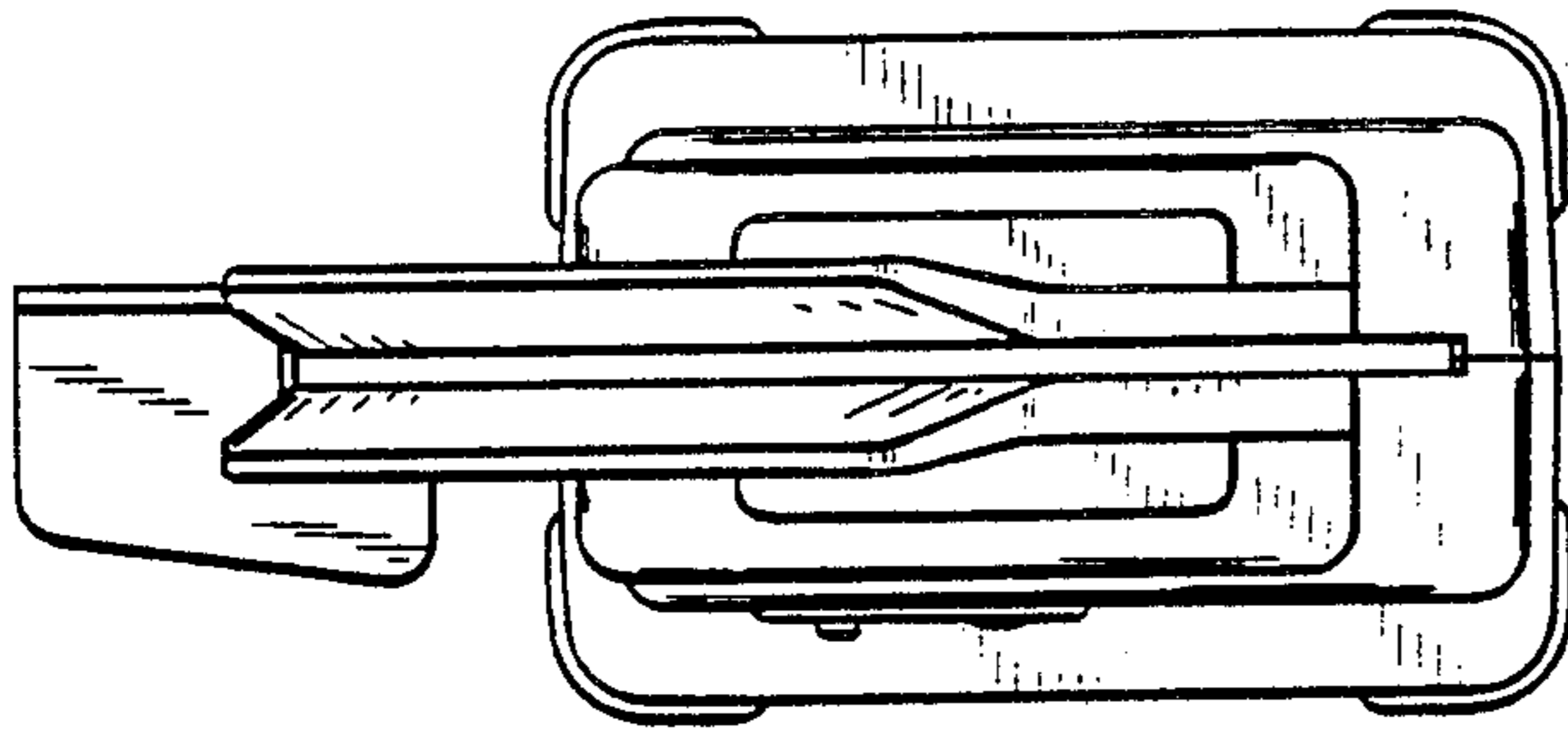


FIG. 1.

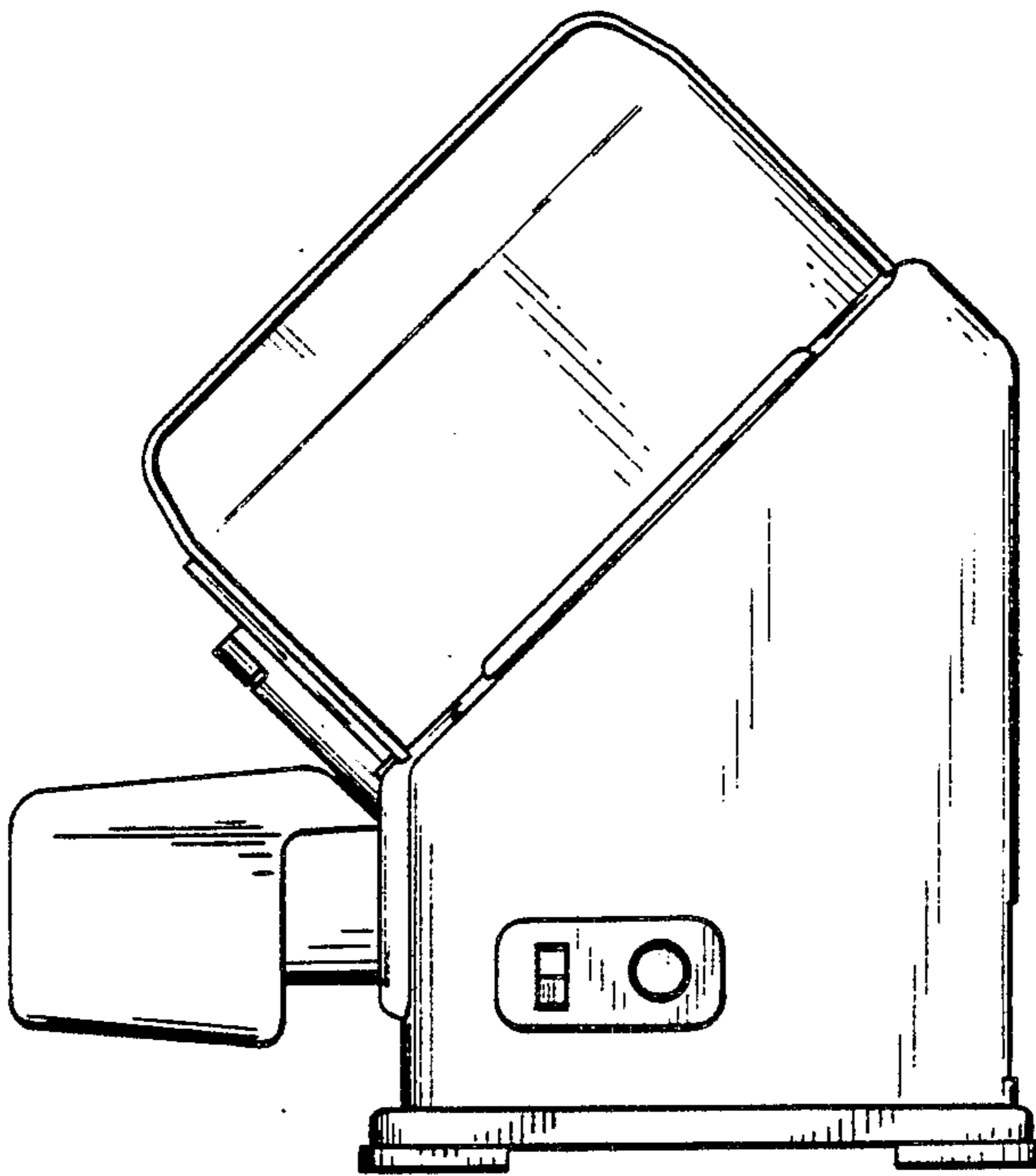


FIG. 3.

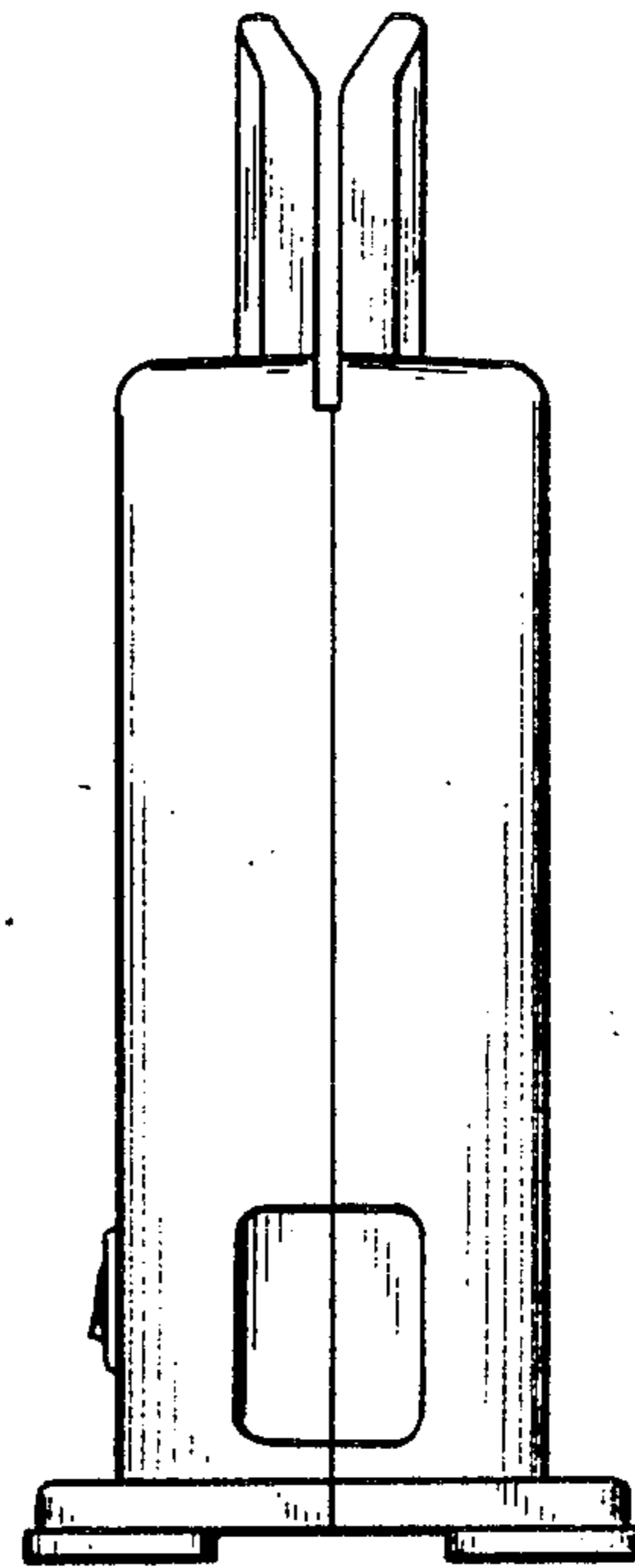


FIG. 2.

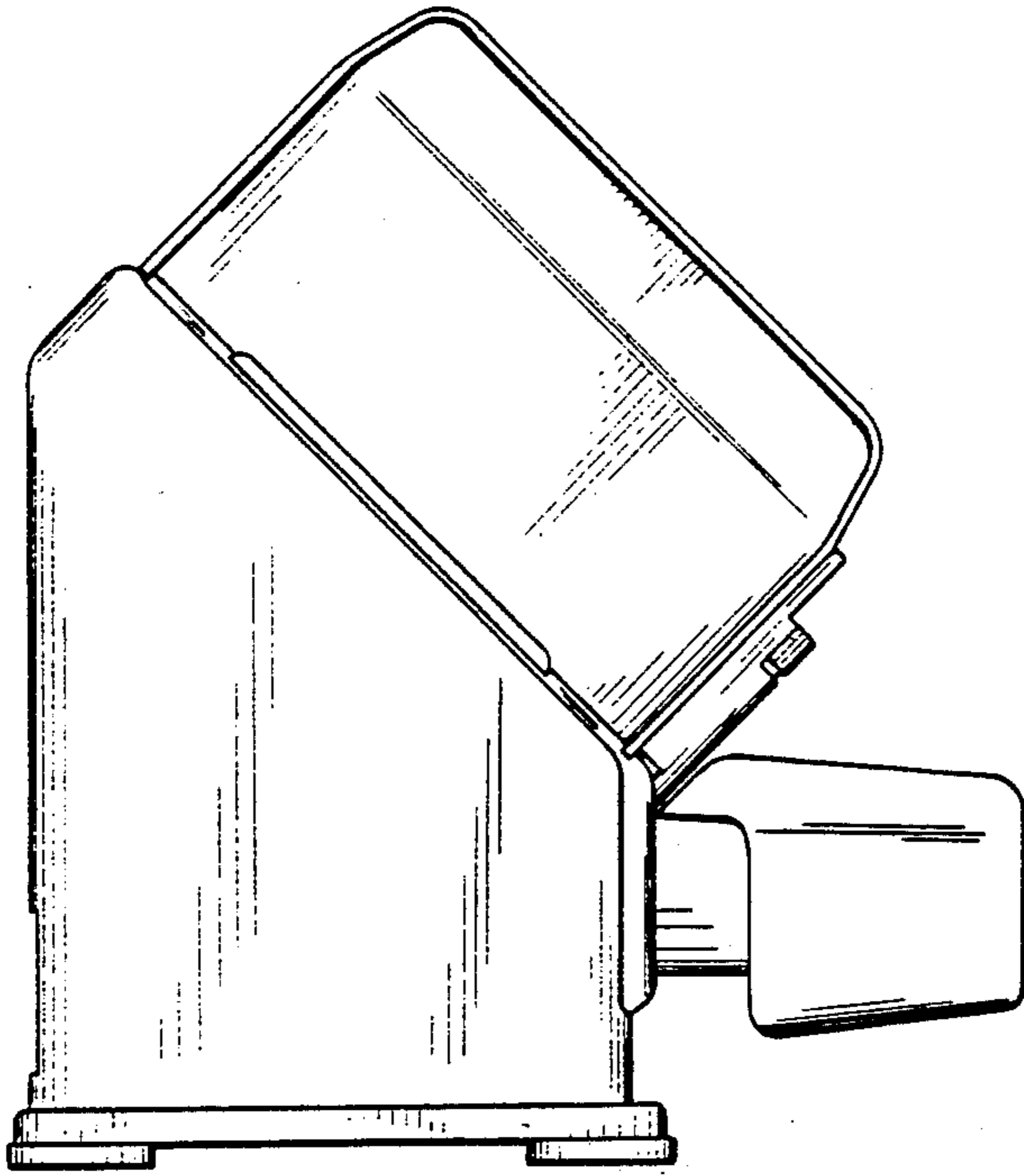


FIG. 4.

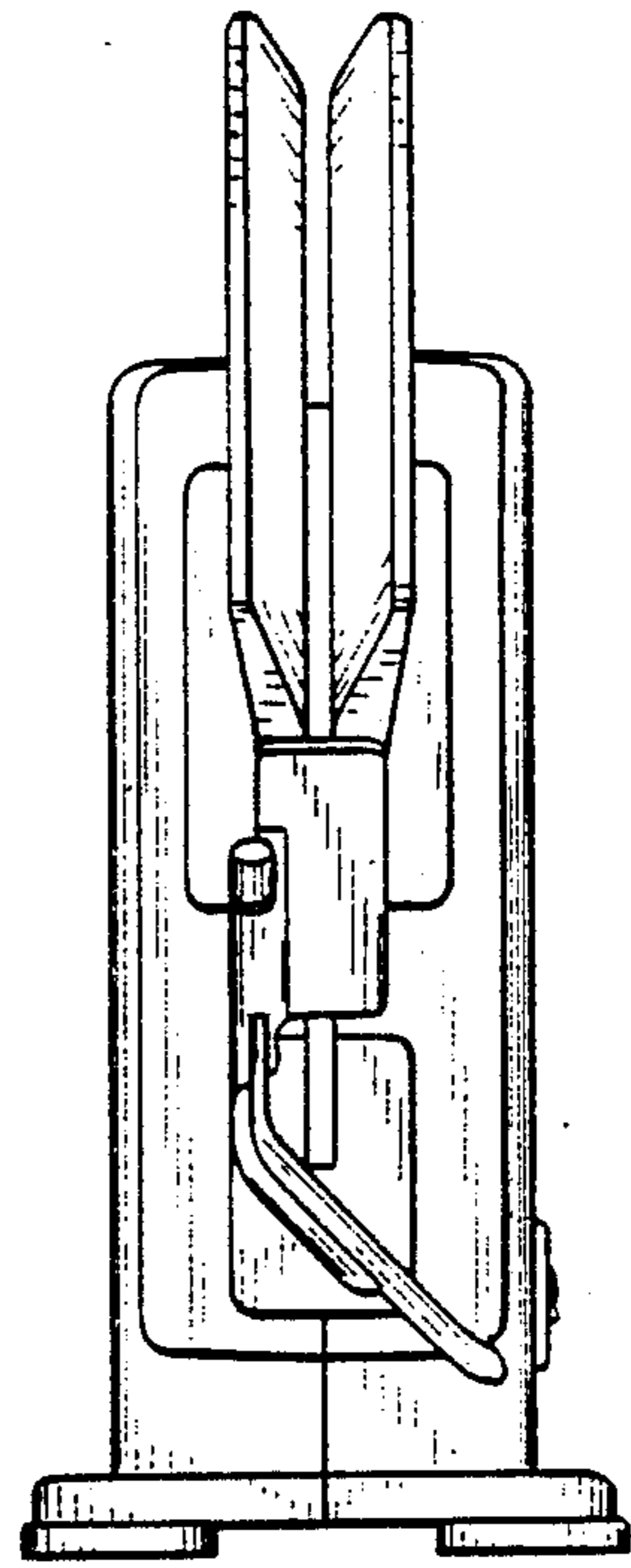


FIG. 6.

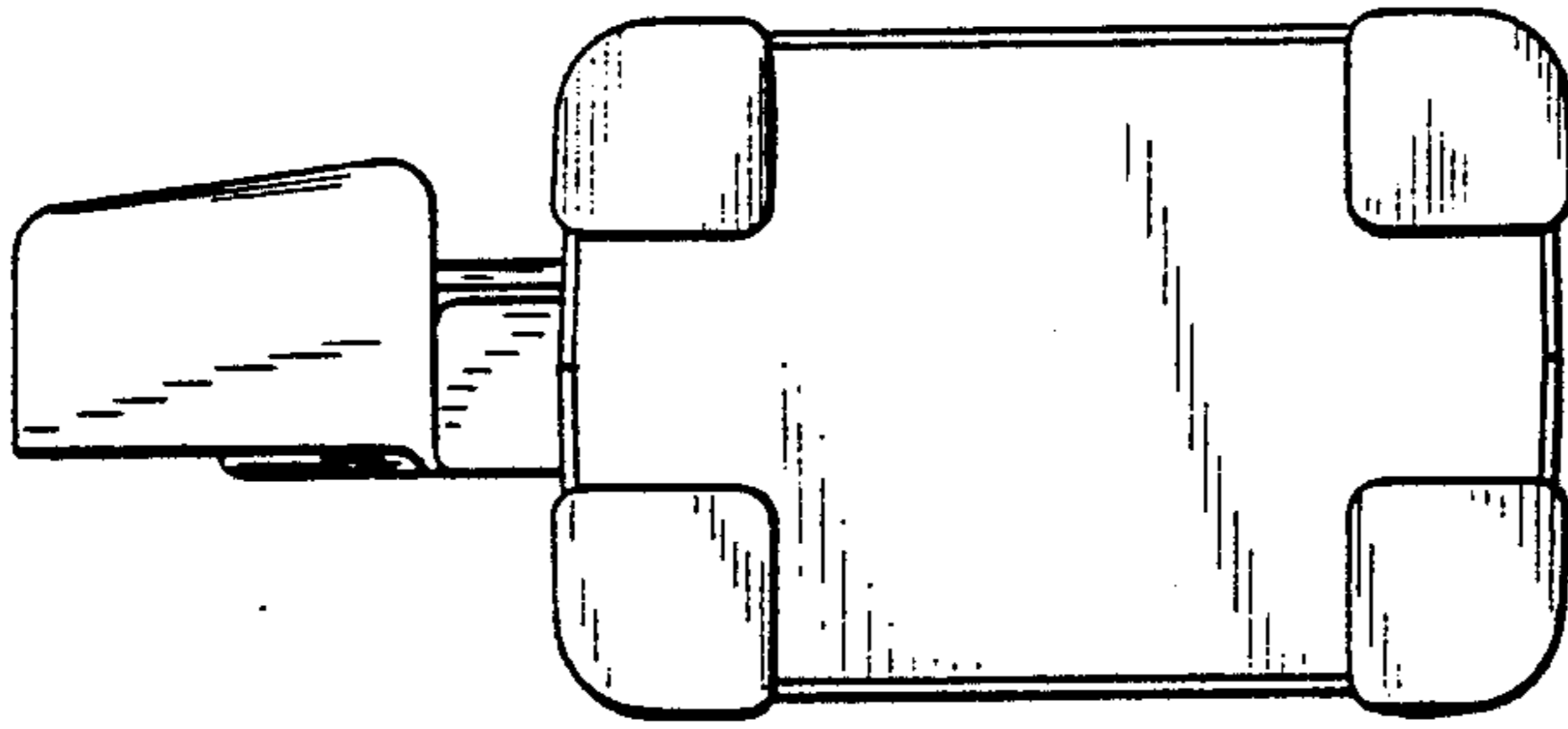


FIG. 7

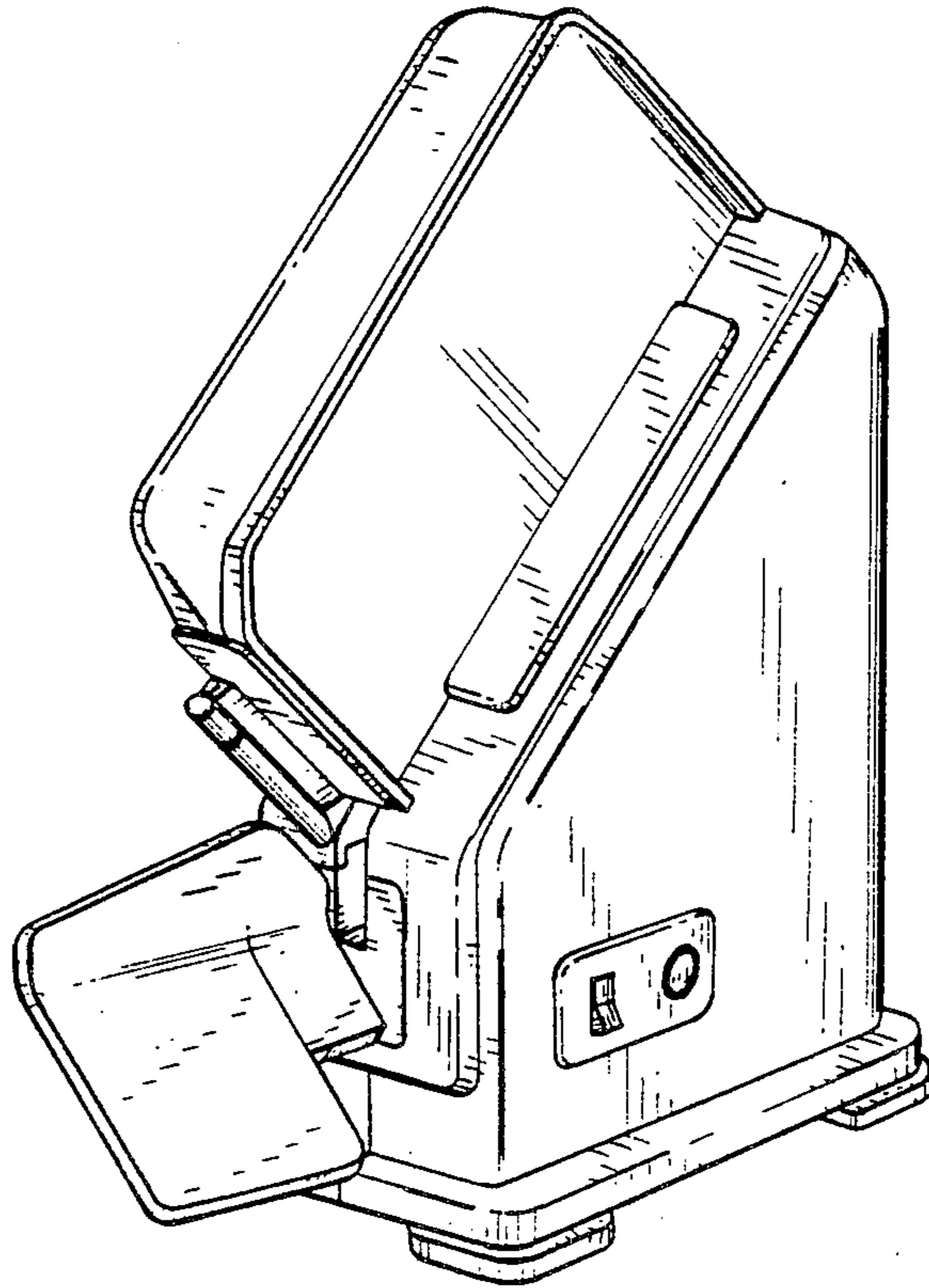


FIG. 8.

