

[54] LETTER STAMPING MACHINE

D. 257,777 1/1981 Eichenberg et al. D18/15
998,427 7/1911 Stigberg 101/3 SP
4,058,054 11/1977 Markman D15/123 X

[76] Inventors: Robert J. Eichenberg; La Dorna E. Eichenberg, both of P.O. Box 8209, Newport Beach, Calif. 92658-8209

OTHER PUBLICATIONS

Office Products Dealer, 7/1985, p. 98-Perforator at bottom right.

[**] Term: 14 Years

Primary Examiner—Louis S. Zarfes
Attorney, Agent, or Firm—Alfons Puishes

[21] Appl. No.: 824,361

[22] Filed: Jan. 30, 1986

[52] U.S. Cl. D18/14

[57] CLAIM

[58] Field of Search D18/14, 15, 18, 22, D18/99; D15/123, 128; 101/3 SP, 407 BP

The ornamental design for a letter stamping machine, as shown and described.

[56] References Cited

DESCRIPTION

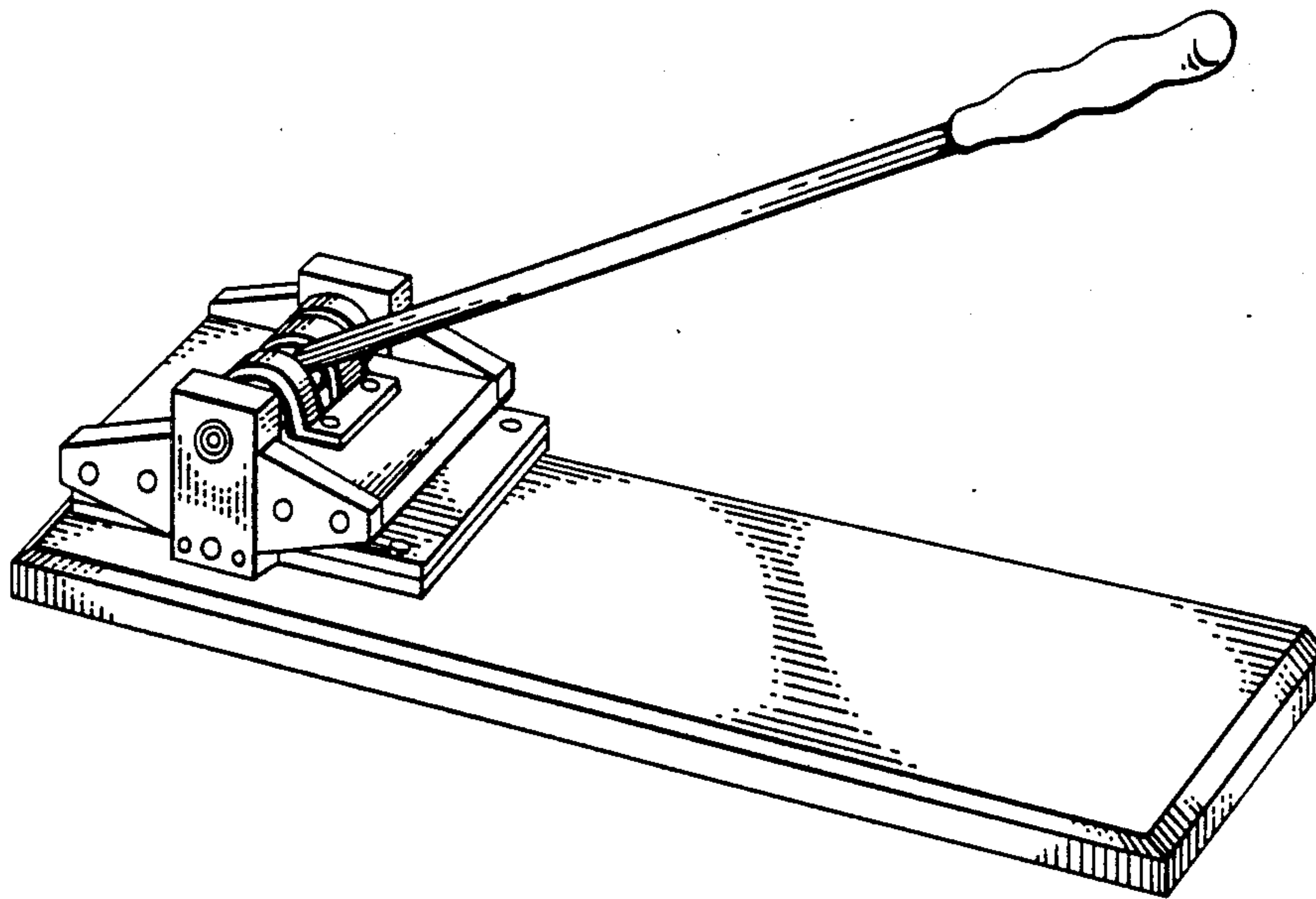
U.S. PATENT DOCUMENTS

15,312 7/1856 Winder 101/407 BP
23,046 2/1859 Saxton 101/3 SP
D. 152,037 12/1948 Stadler D18/15
D. 186,197 9/1959 Maul D18/14

FIG. 1 is an isometric view of a letter stamping machine showing our new design.

FIG. 2 is a left side elevational view of the machine, the right side being a mirror image thereof.

FIG. 3 is a rear elevational view of the machine.



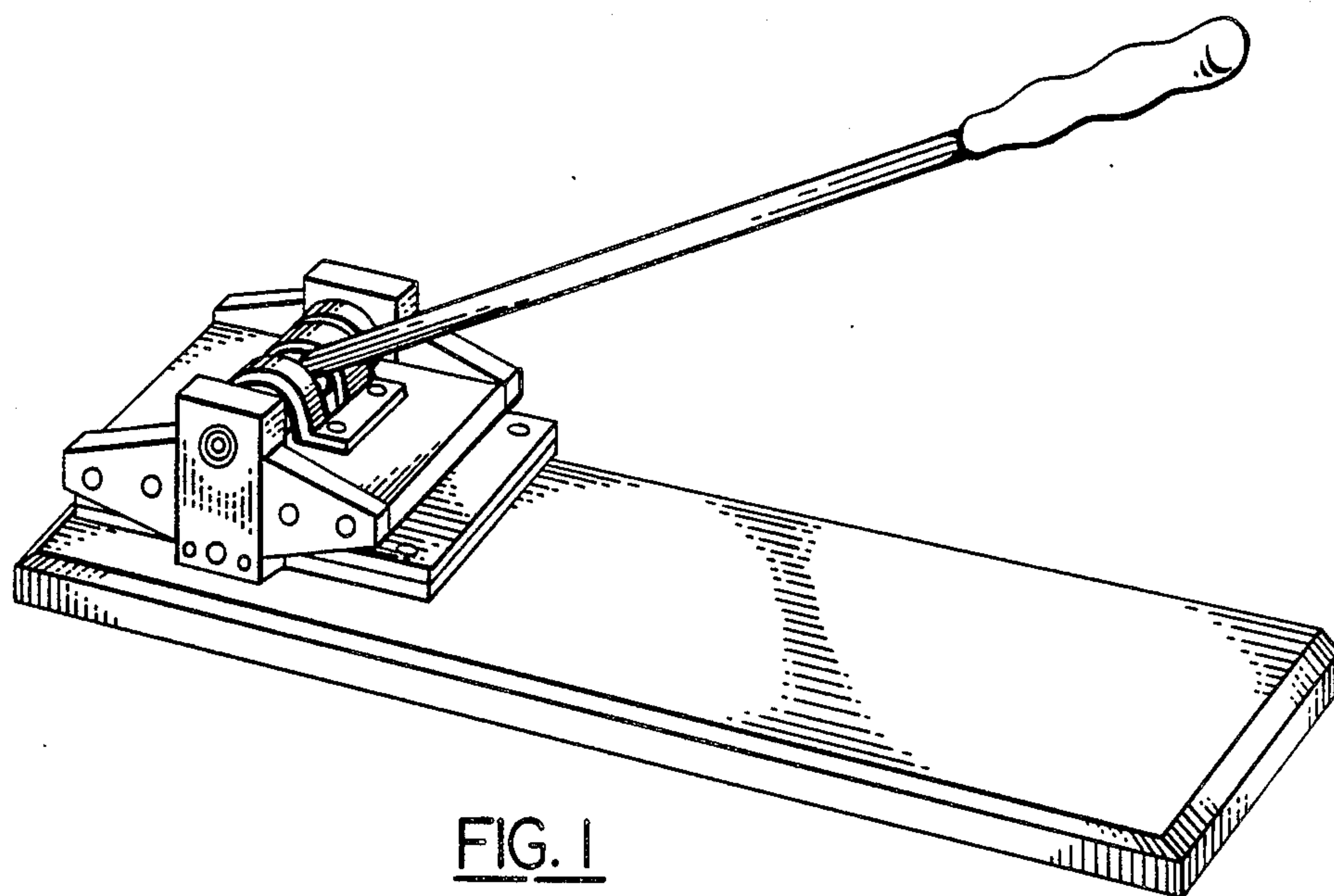


FIG. 1

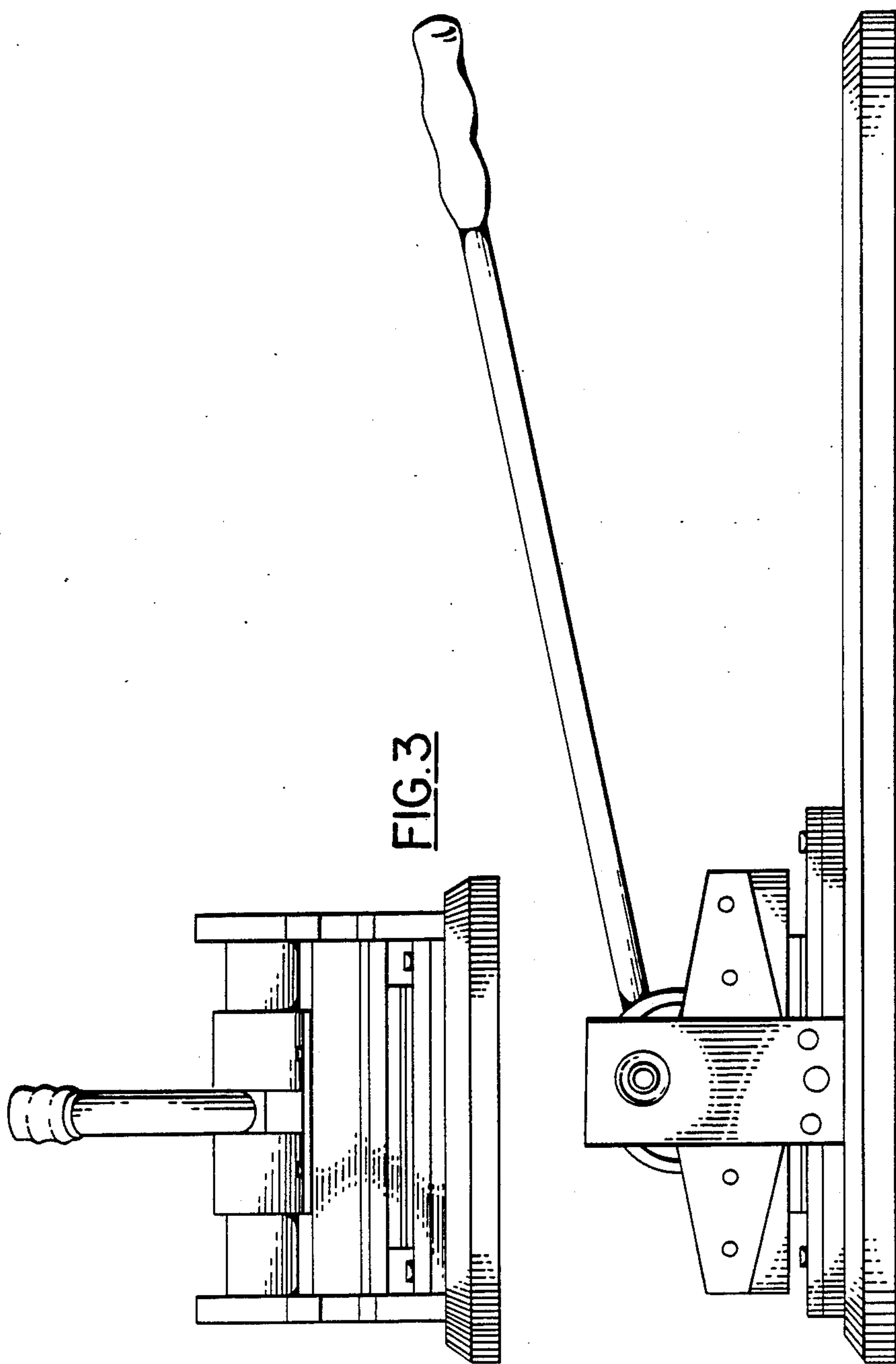


FIG. 3

FIG. 2